



US00D480357S

(12) **United States Design Patent**
Miao

(10) **Patent No.:** **US D480,357 S**

(45) **Date of Patent:** **** Oct. 7, 2003**

(54) **MINI PORTABLE POWER SUPPLY**

D466,862 S * 12/2002 Casarella D13/107
6,565,381 B1 * 5/2003 Chou 439/501

(76) Inventor: **Jack Miao**, 16F-7, No. 189, Sec. 2,
Keelung Rd., Taipei (TW)

* cited by examiner

(**) Term: **14 Years**

Primary Examiner—Joel Sincavage
(74) *Attorney, Agent, or Firm*—Dellett & Walters

(21) Appl. No.: **29/173,790**

(57) **CLAIM**

(22) Filed: **Jan. 6, 2003**

The ornamental design for a mini portable power supply, as shown.

(51) **LOC (7) Cl.** **13-02**

(52) **U.S. Cl.** **D13/107**

(58) **Field of Search** D13/110, 107,
D13/108, 106; 320/107–115; 307/150

DESCRIPTION

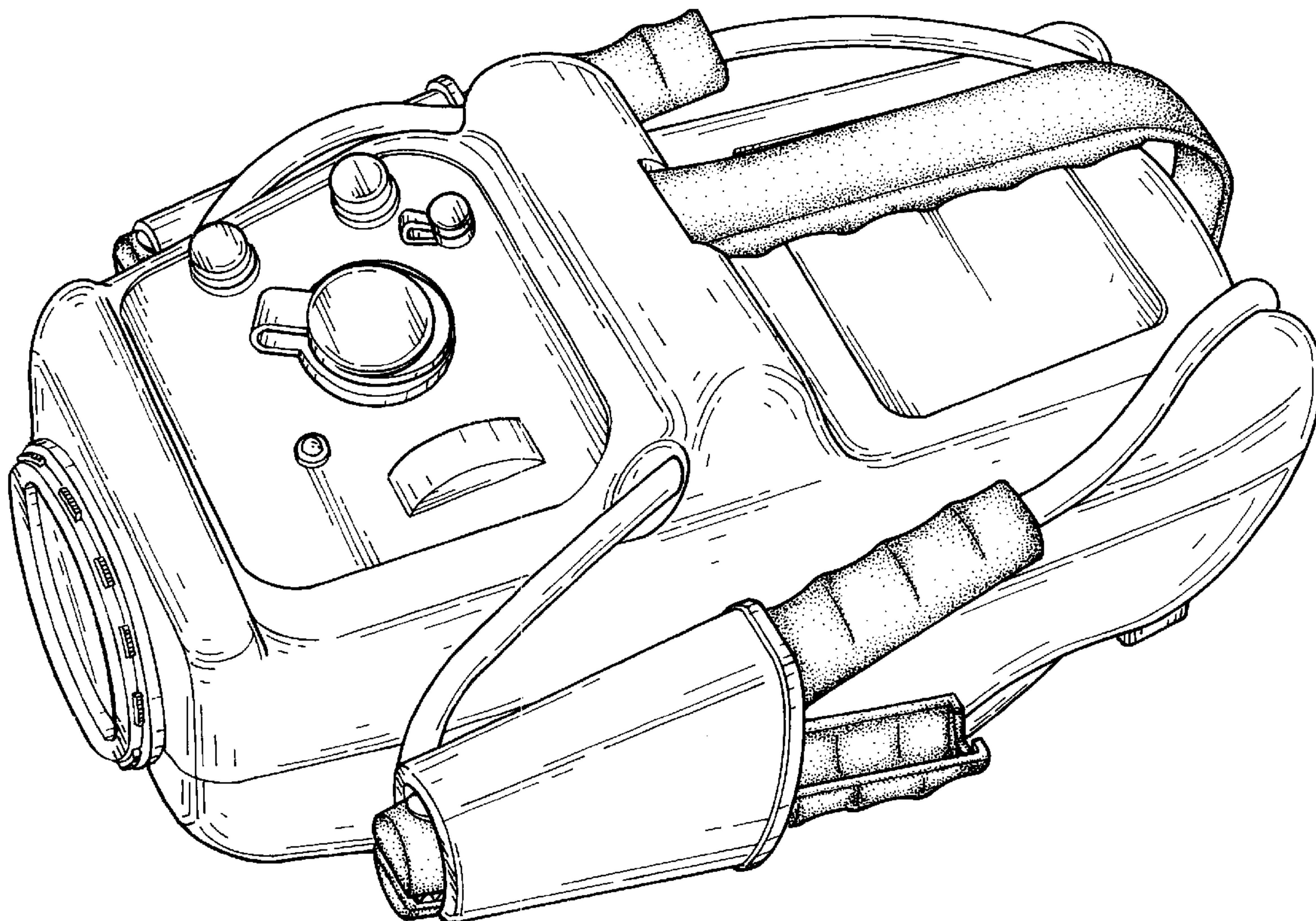
(56) **References Cited**

U.S. PATENT DOCUMENTS

D311,897 S * 11/1990 Moore et al. D13/107
D432,985 S * 10/2000 Wan D13/107
6,222,342 B1 * 4/2001 Eggert et al. 320/105
D452,474 S * 12/2001 Casarella D13/107
D464,619 S * 10/2002 Krieger et al. D13/110

FIG. 1 is a perspective view of a mini portable power supply, showing my new design;
FIG. 2 is a front elevational view thereof;
FIG. 3 is a rear elevational view thereof;
FIG. 4 is a left elevational view thereof;
FIG. 5 is a right elevational view thereof;
FIG. 6 is a top plan view thereof; and,
FIG. 7 is a bottom plan view thereof.

1 Claim, 7 Drawing Sheets



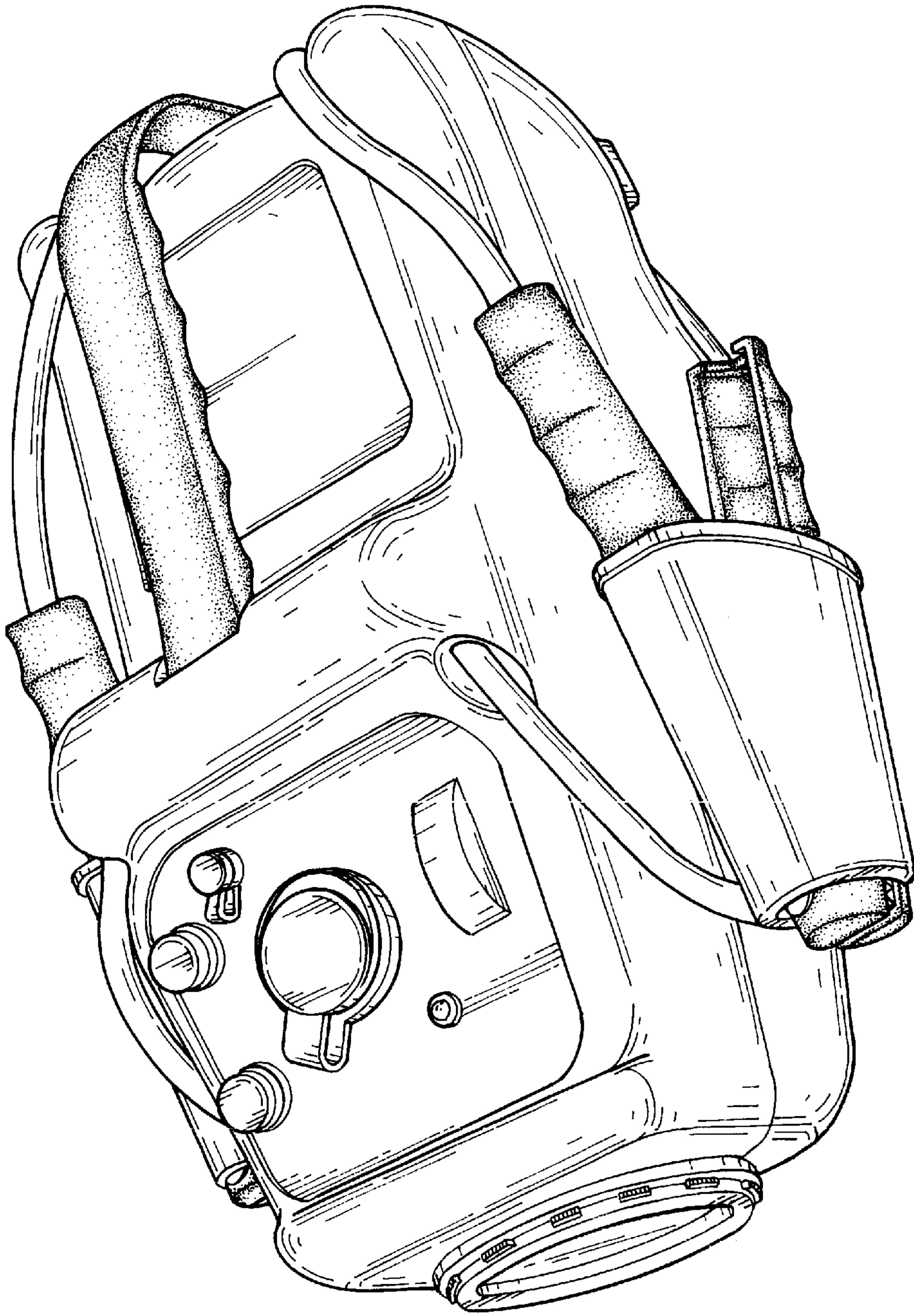


FIG. 1

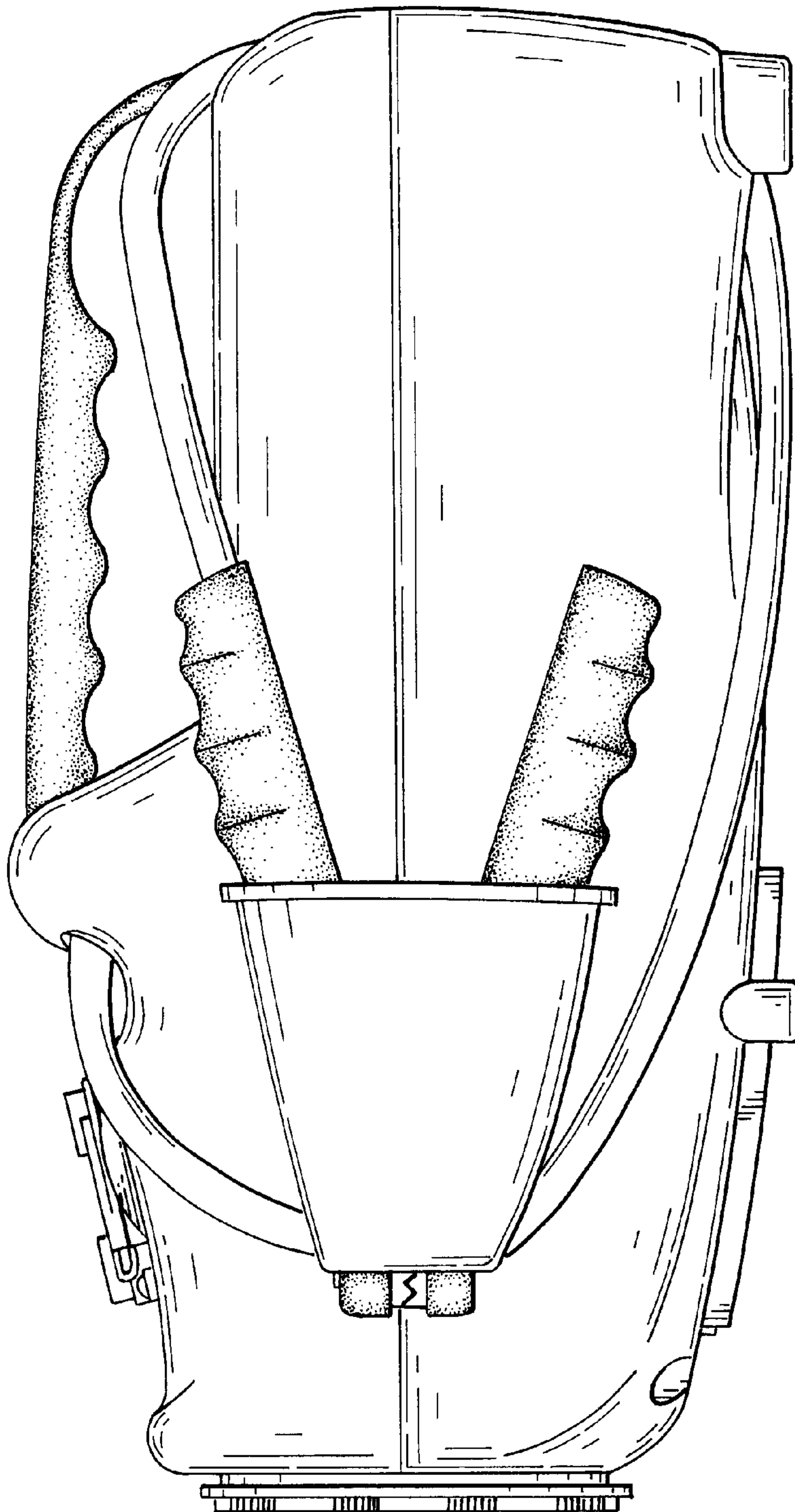


FIG. 2

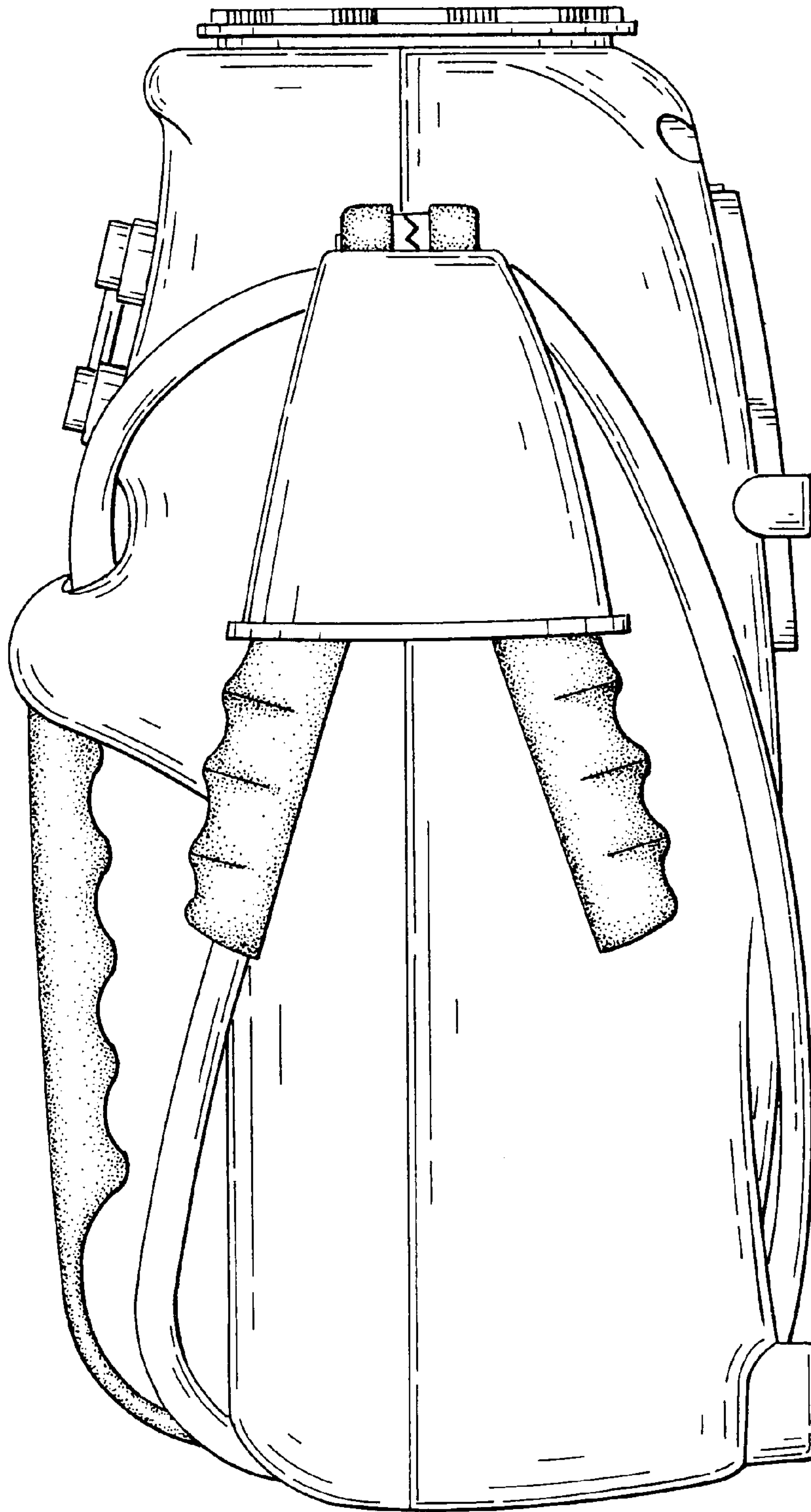


FIG. 3

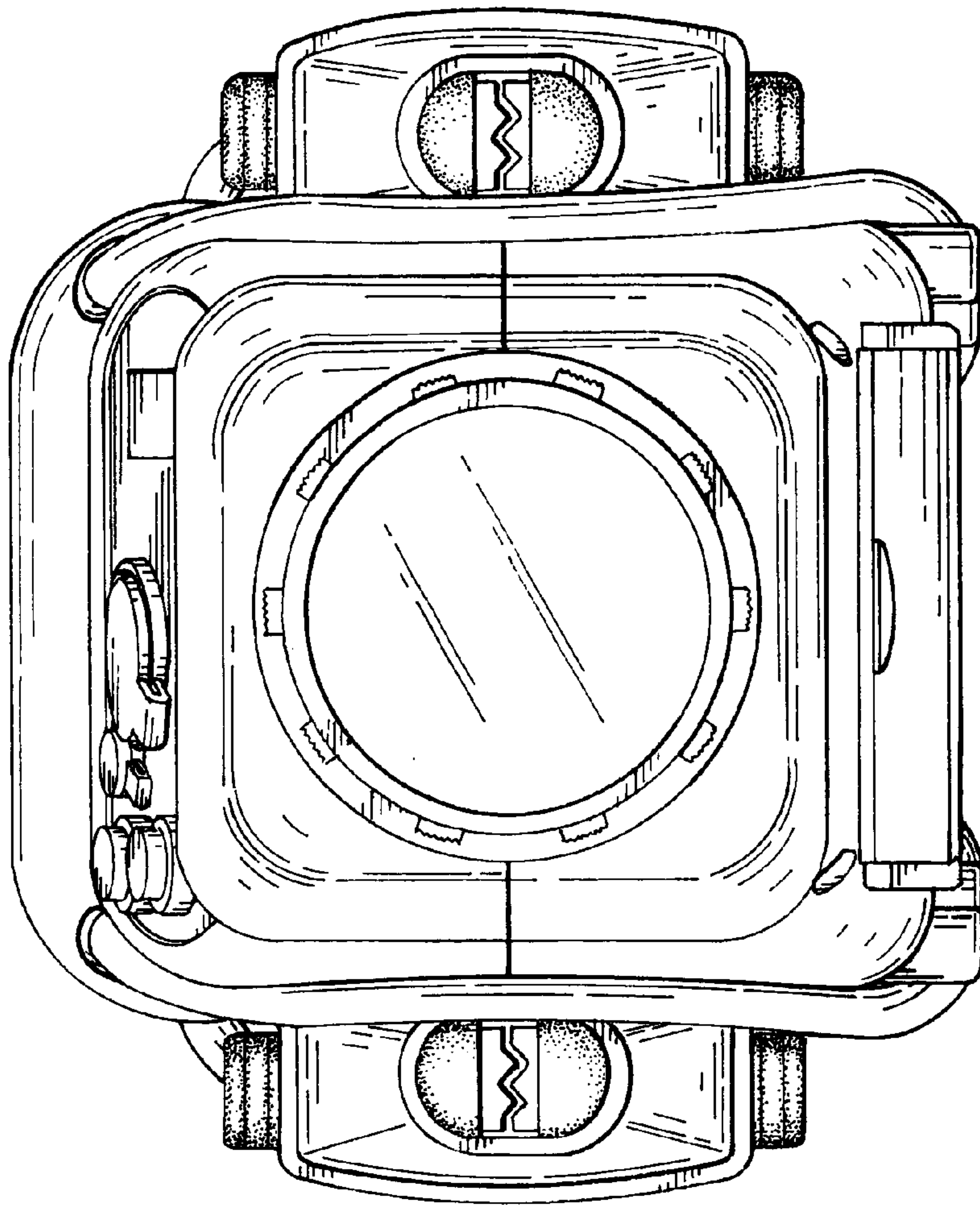


FIG. 4

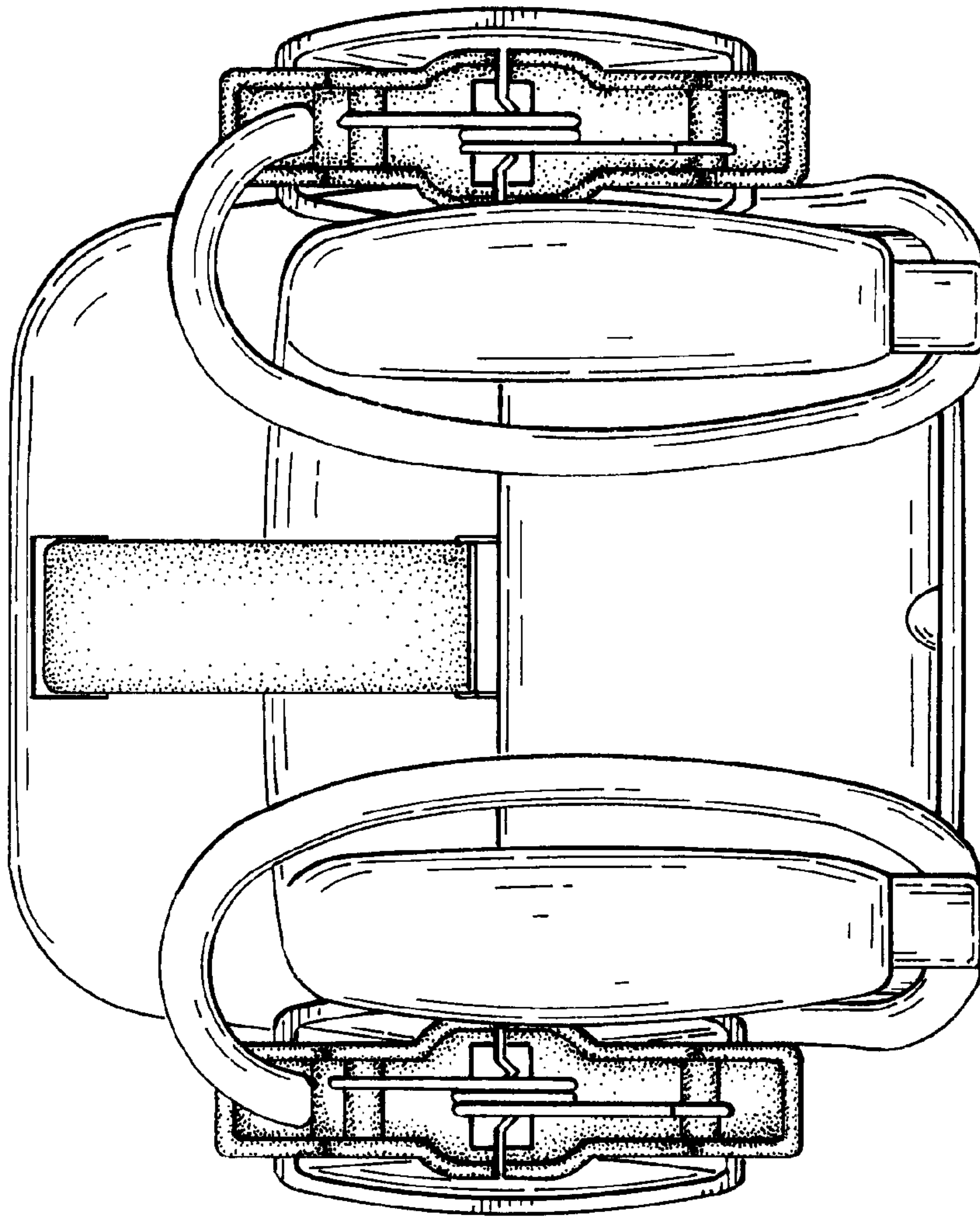


FIG. 5

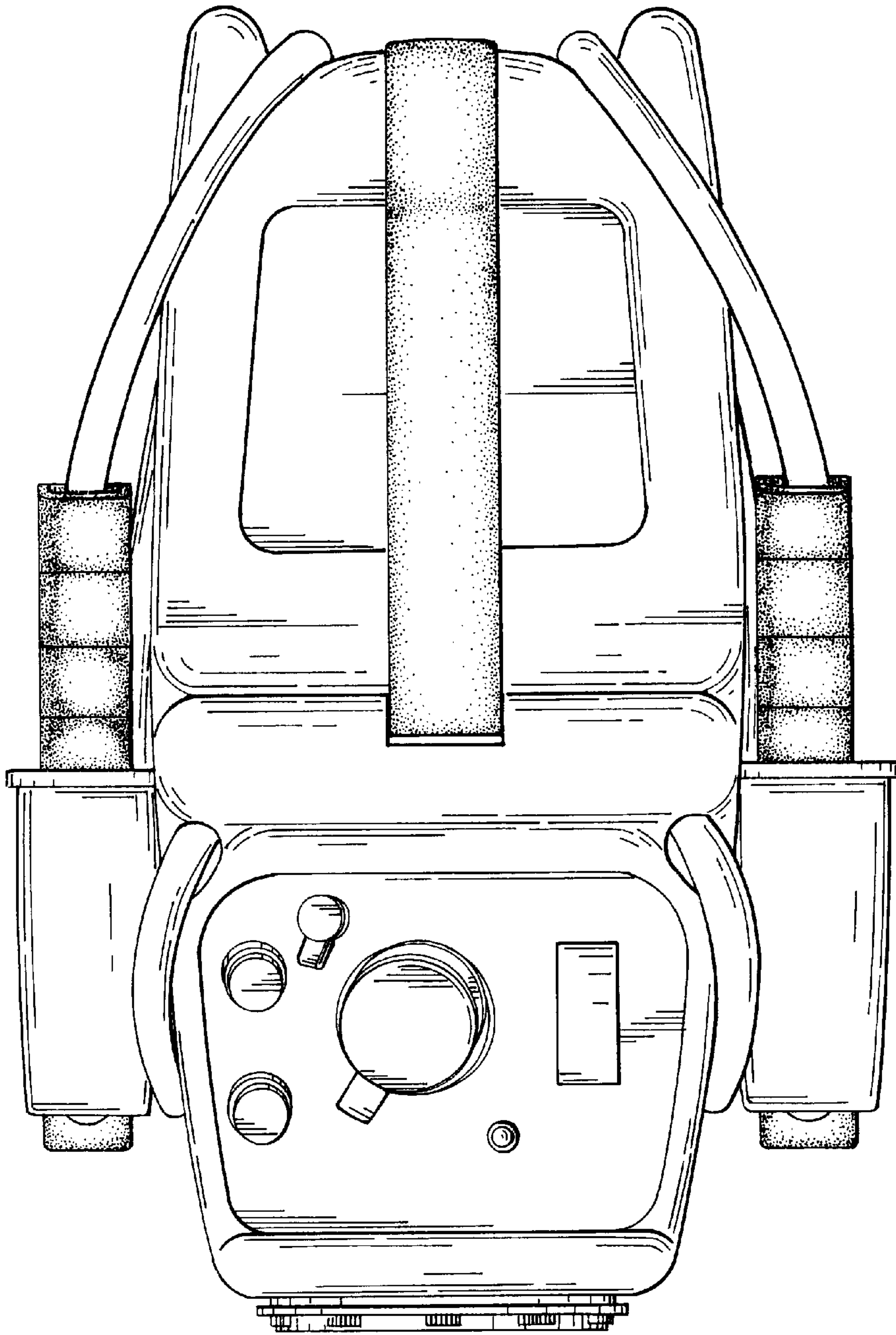


FIG. 6

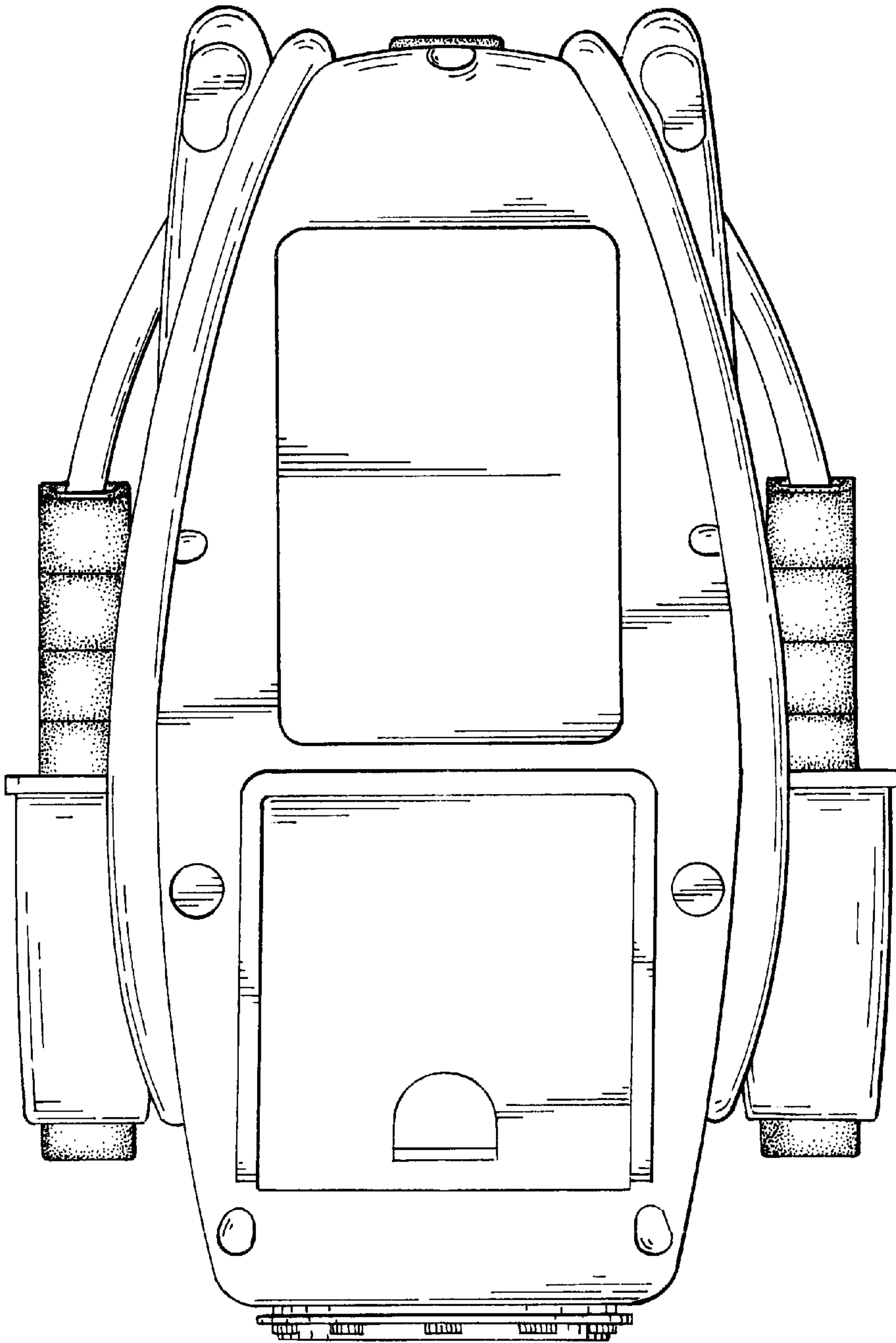


FIG. 7