



US00D480356S

(12) **United States Design Patent**  
**Omori et al.**

(10) **Patent No.: US D480,356 S**

(45) **Date of Patent: \*\* Oct. 7, 2003**

(54) **BATTERY**

6,187,474 B1 \* 2/2001 Chalasani et al. .... 429/187  
6,372,382 B2 \* 4/2002 Peterson ..... 429/179

(75) Inventors: **Eiji Omori**, Aichi (JP); **Kenji Kobayashi**, Aichi (JP); **Yukihiro Onoda**, Aichi (JP); **Muneyoshi Noda**, Aichi (JP)

**FOREIGN PATENT DOCUMENTS**

JP 928308 6/1995

\* cited by examiner

(73) Assignee: **Matsushita Electric Industrial Co., Ltd.**, Osaka (JP)

*Primary Examiner*—Joel Sincavage

(\*\*) Term: **14 Years**

(74) *Attorney, Agent, or Firm*—Brinks Hofer Gilson & Lione

(21) Appl. No.: **29/150,610**

(57) **CLAIM**

(22) Filed: **Nov. 14, 2001**

We claim the ornamental design for a battery, as shown and described.

(30) **Foreign Application Priority Data**

**DESCRIPTION**

Aug. 1, 2001 (JP) ..... 2001-022575

(51) **LOC (7) Cl.** ..... **13-02**

FIG. 1 is a perspective view showing our new design; FIG. 2 is a front view of the embodiment shown in FIG. 1, the rear view being a mirror image;

(52) **U.S. Cl.** ..... **D13/104; D13/106**

FIG. 3 is a top view of the embodiment shown in FIGS. 1-2; FIG. 4 is a bottom view of the embodiment shown in FIGS. 1-3;

(58) **Field of Search** ..... D13/103, 104, D13/106; 429/96-100, 159, 163, 176, 187

FIG. 5 is a right side view of the embodiment shown in FIGS. 1-4;

(56) **References Cited**

**U.S. PATENT DOCUMENTS**

- 4,013,819 A \* 3/1977 Grabb ..... 429/187
- 4,374,188 A \* 2/1983 Campbell et al. .... 429/187
- 4,861,687 A \* 8/1989 Brantley et al. .... 429/187
- 4,957,829 A \* 9/1990 Holl ..... 429/99
- D358,130 S \* 5/1995 Humphreys et al. .... D13/104
- D367,256 S \* 2/1996 Tokunaga ..... D13/103
- 5,565,283 A \* 10/1996 Chalasani et al. .... 429/187
- D413,859 S \* 9/1999 Ido et al. .... D13/103
- D419,132 S \* 1/2000 Suzuki et al. .... D13/104

FIG. 6 is a left side view of the embodiment shown in FIGS. 1-5; and,

FIG. 7 is a perspective view of the embodiment shown in FIGS. 1-6, with the terminal cover removed in order to show features not apparent in the other views.

The broken lines in FIG. 4 are included for the purpose of illustrating a portion of the battery that forms no part of the claimed design.

**1 Claim, 5 Drawing Sheets**

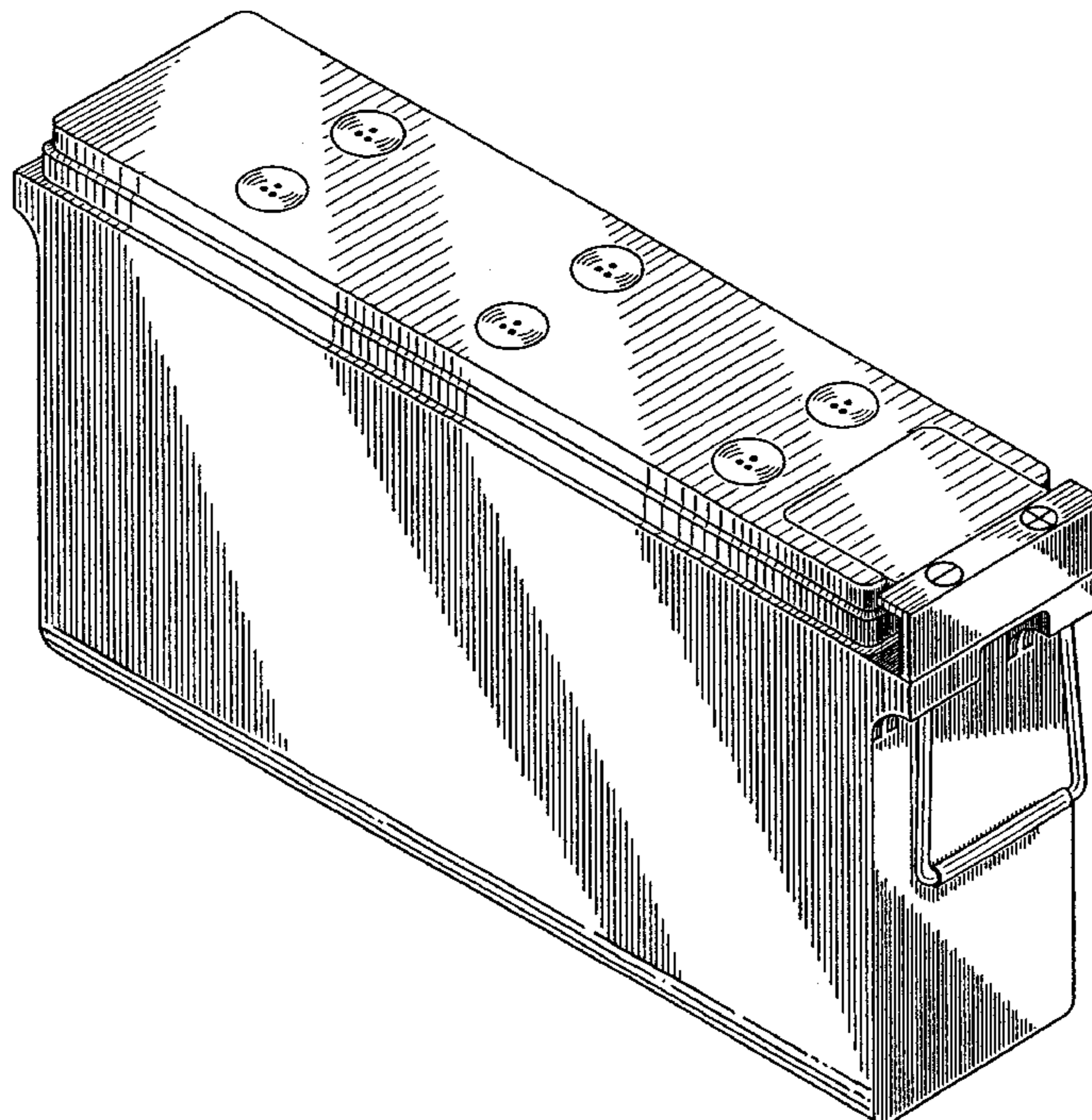


Fig. 1

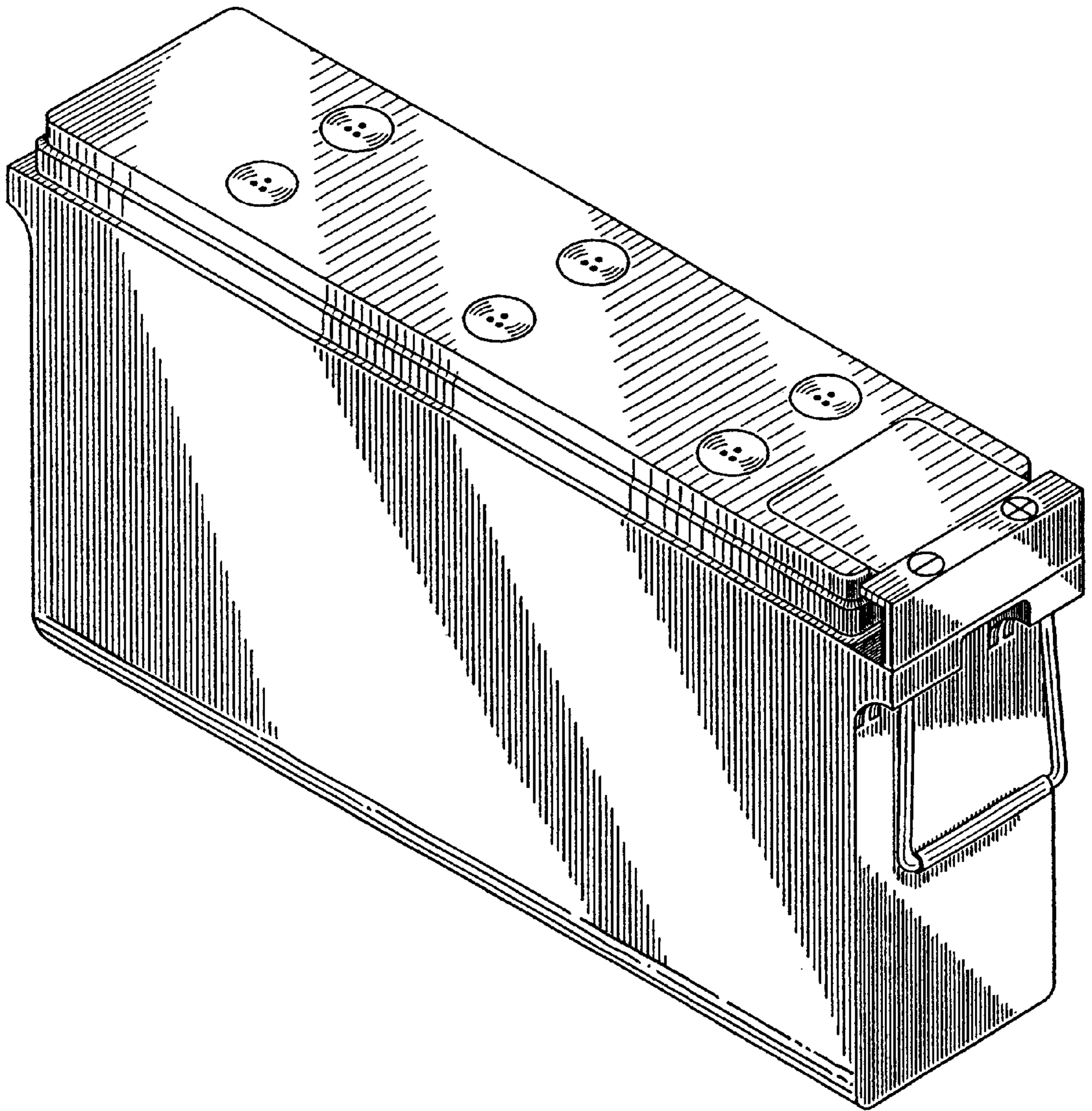


Fig. 2

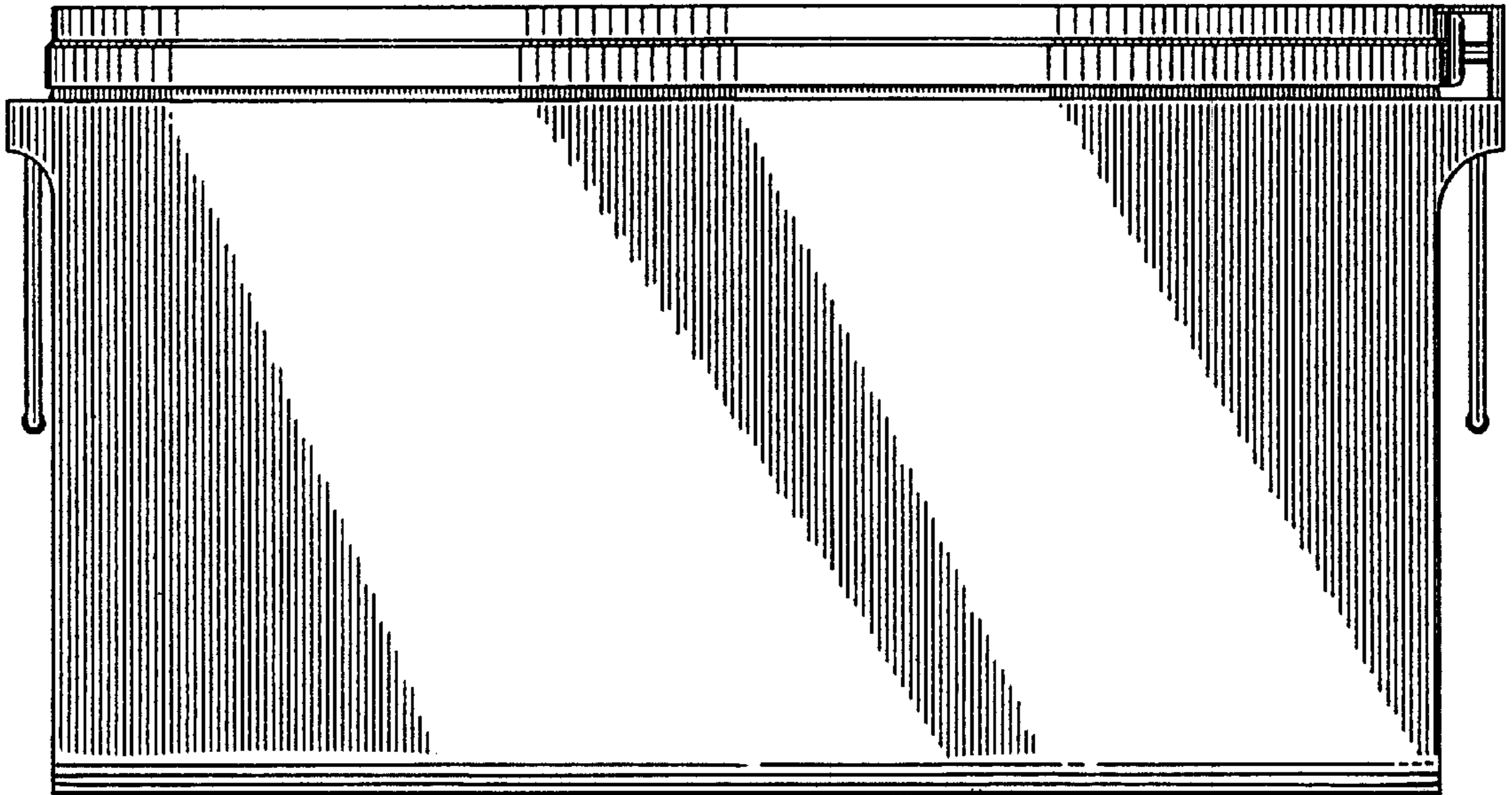


Fig. 3

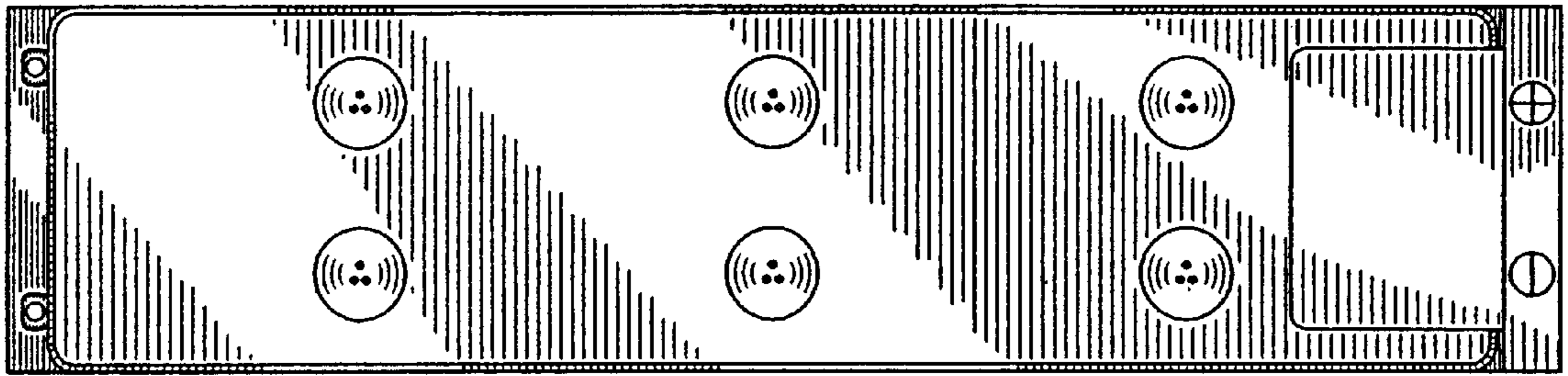


Fig. 4

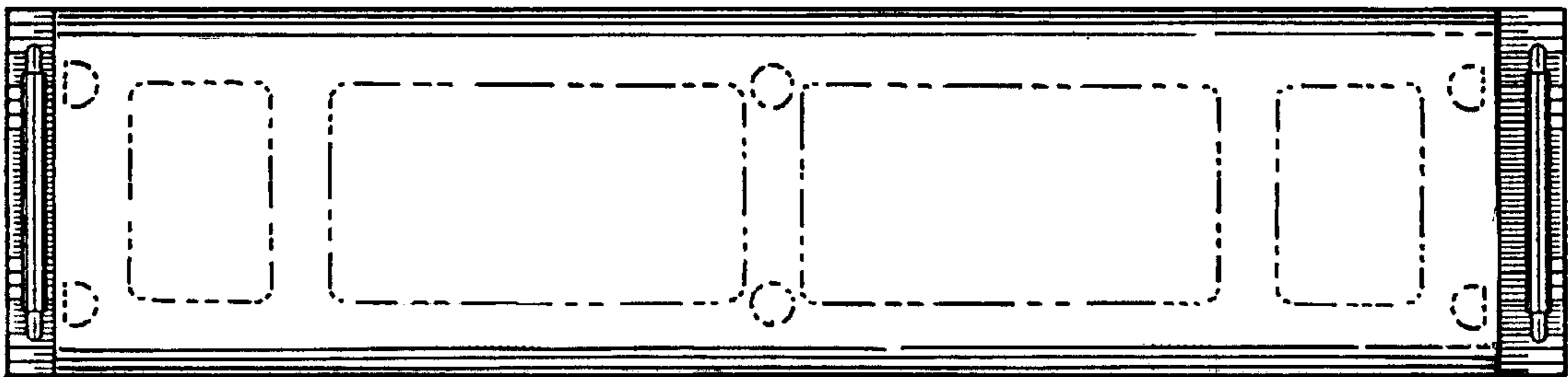


Fig. 5

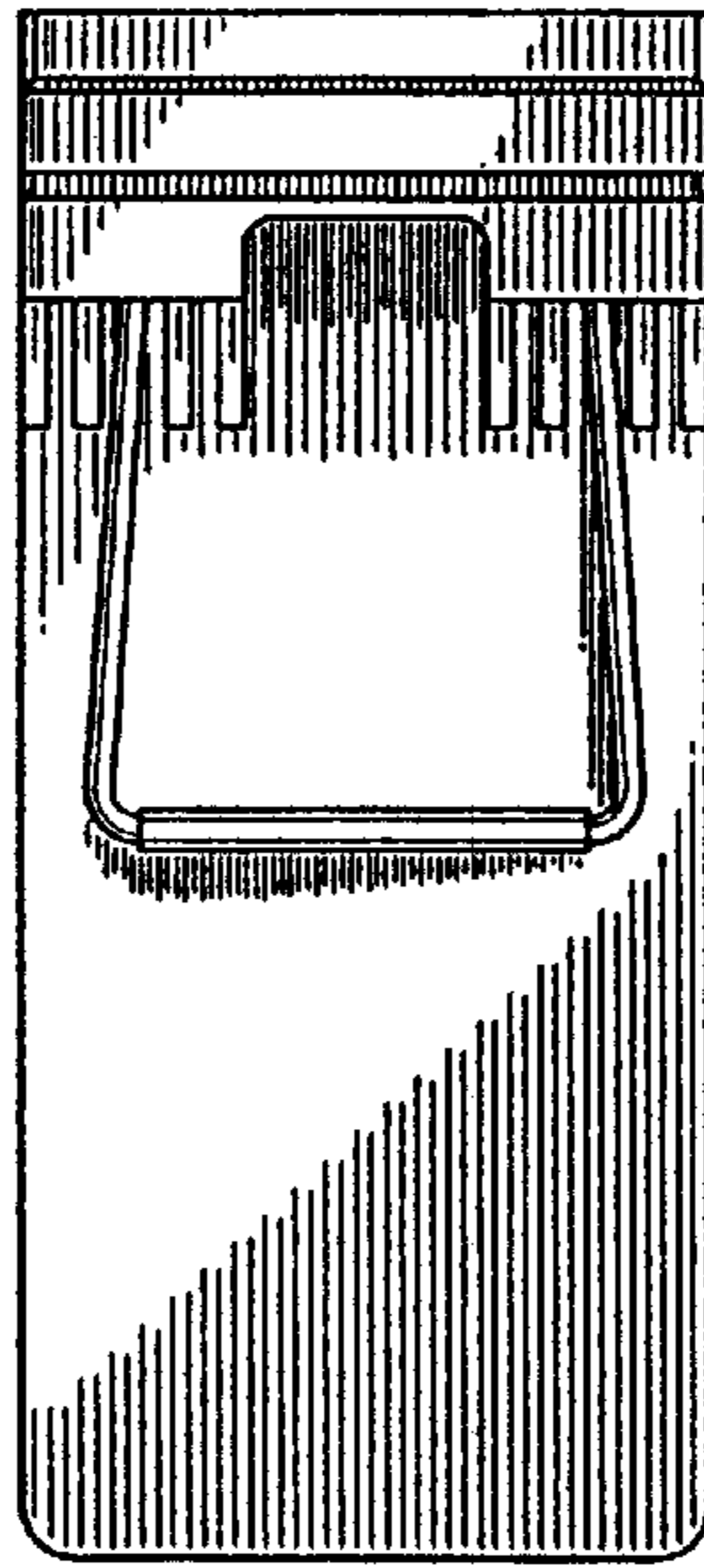


Fig. 6

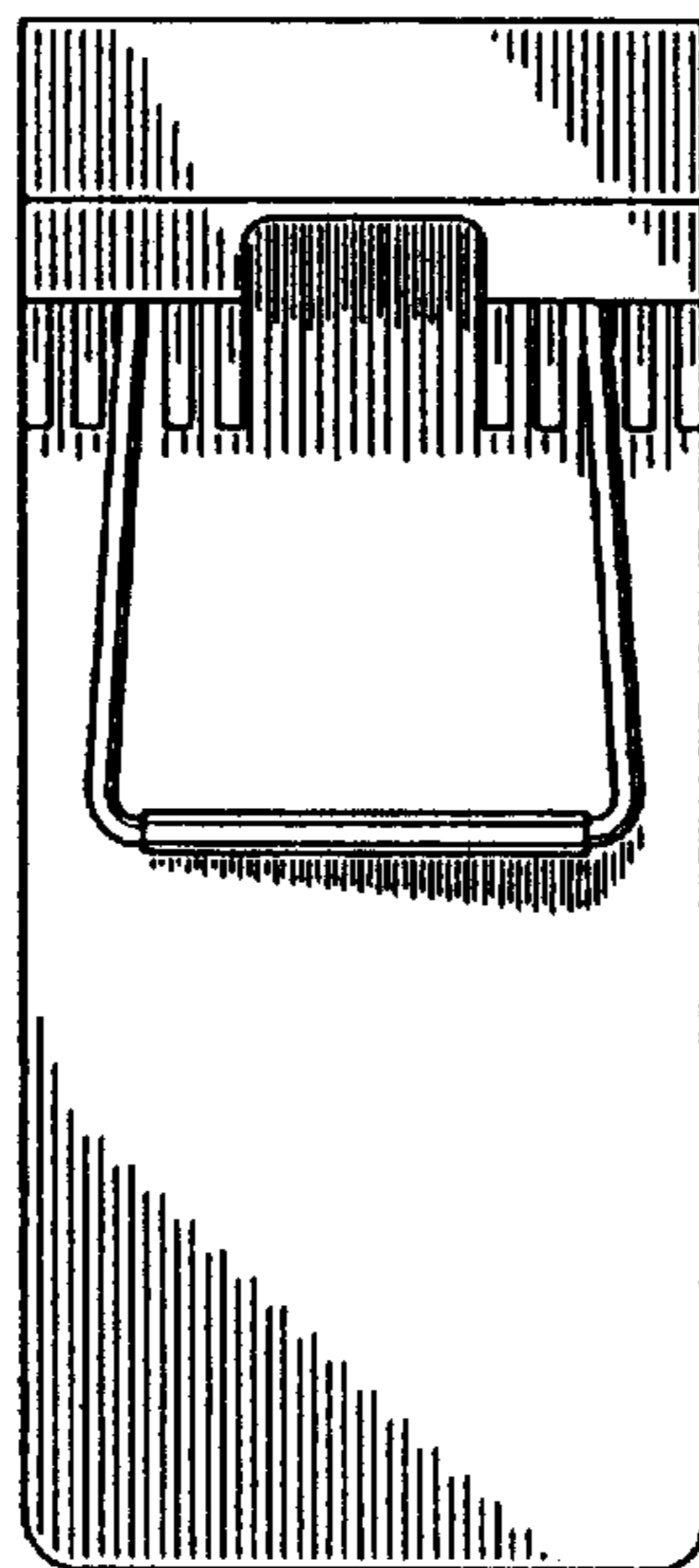


Fig. 7

