



US00D480354S

(12) **United States Design Patent**  
**Hassenzahl et al.**

(10) **Patent No.:** **US D480,354 S**

(45) **Date of Patent:** **\*\* Oct. 7, 2003**

(54) **HOUSING DESIGN FOR A UNIVERSAL  
CAMCORDER BATTERY WITH INTERNAL  
CHARGER AND FUEL GAUGE**

D352,270 S \* 11/1994 Yung ..... D13/103  
5,510,205 A \* 4/1996 Ozer ..... 429/98 X  
D377,477 S \* 1/1997 Harata et al. .... D13/103

(75) Inventors: **Steven Lee Hassenzahl**, Lilburn, GA  
(US); **Kevin Marchus Perry**,  
Lawrenceville, GA (US)

\* cited by examiner

*Primary Examiner*—Joel Sincavage

(74) *Attorney, Agent, or Firm*—Felipe J. Farley; Philip H.  
Burrus, IV

(73) Assignee: **Motorola, Inc.**, Schaumburg, IL (US)

(\*\*) Term: **14 Years**

(57) **CLAIM**

(21) Appl. No.: **29/103,830**

The ornamental design for a housing design for a universal  
camcorder battery with internal charger and fuel gauge, as  
shown and described.

(22) Filed: **Apr. 22, 1999**

**DESCRIPTION**

(51) **LOC (7) Cl.** ..... **13-02**

(52) **U.S. Cl.** ..... **D13/103**

(58) **Field of Search** ..... D13/103, 118;  
429/96-100, 153, 159, 163, 176

FIG. 1 is a front plan view of a universal camcorder battery  
with internal charger and fuel gauge showing our new  
design;

FIG. 2 is a back plan view thereof;

FIG. 3 is a right side elevation view thereof;

FIG. 4 is a left side elevation view thereof;

FIG. 5 is a top elevation view thereof;

FIG. 6 is a bottom elevation view thereof; and,

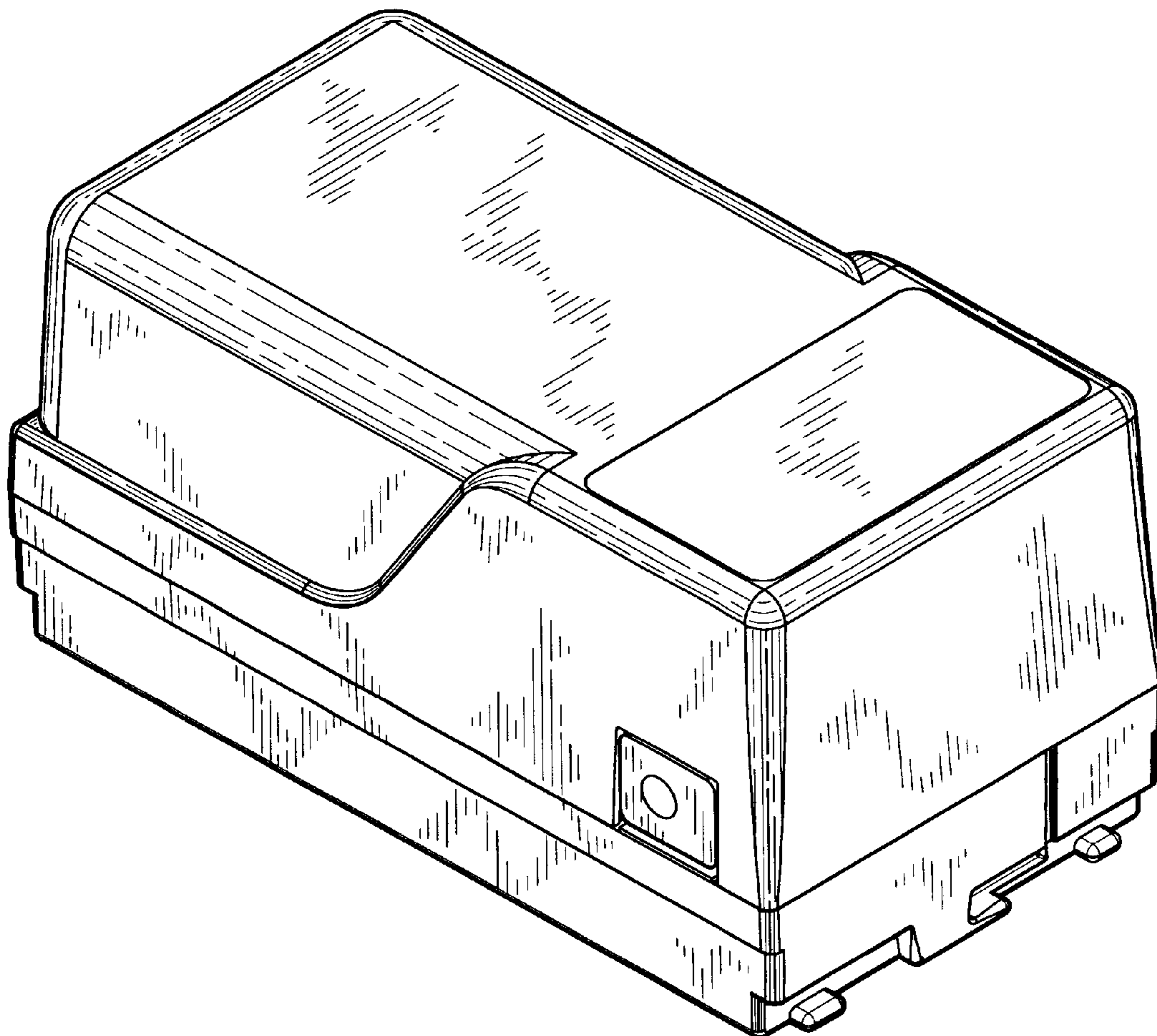
FIG. 7 is a front right isometric view thereof.

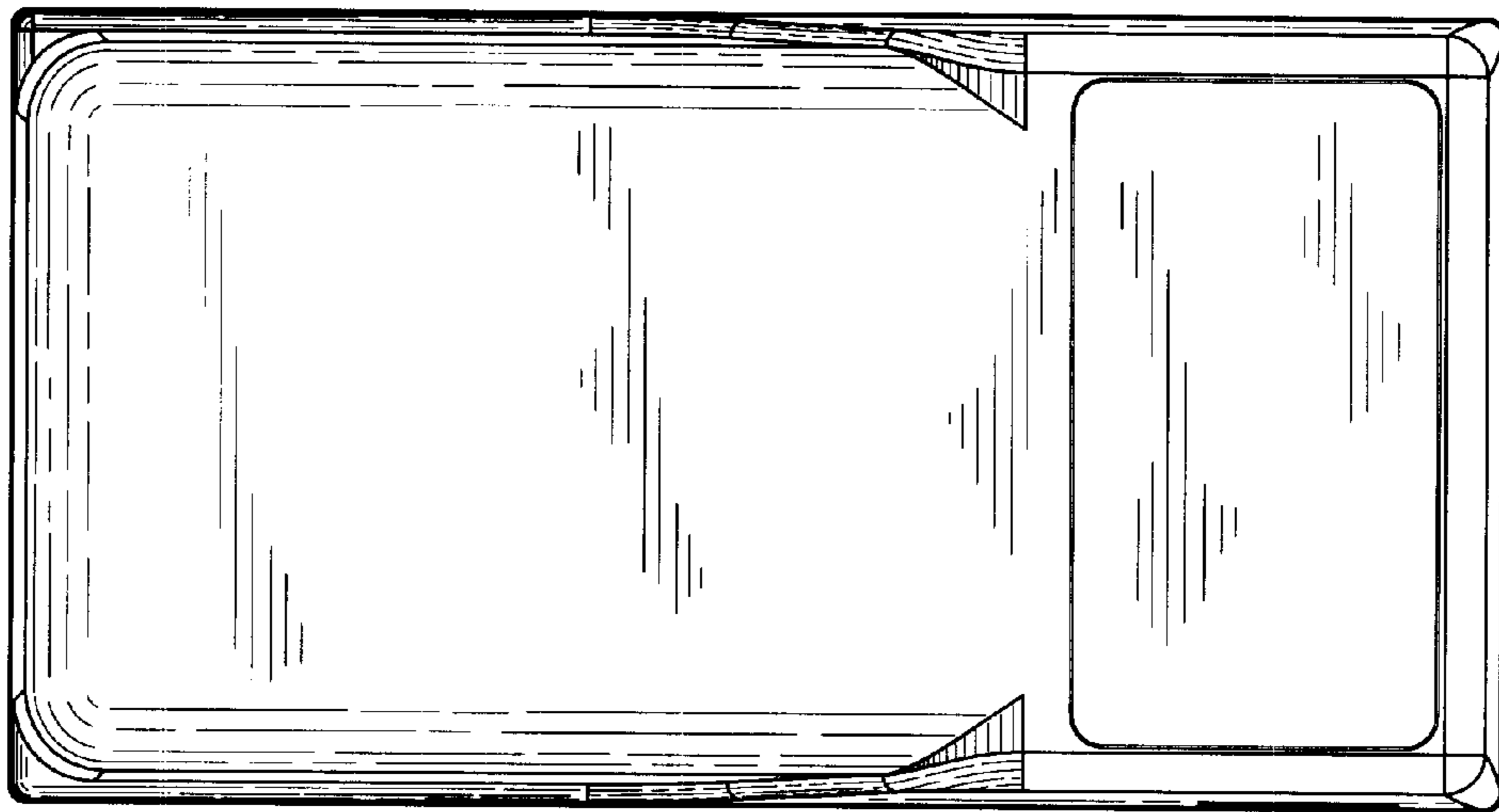
(56) **References Cited**

**U.S. PATENT DOCUMENTS**

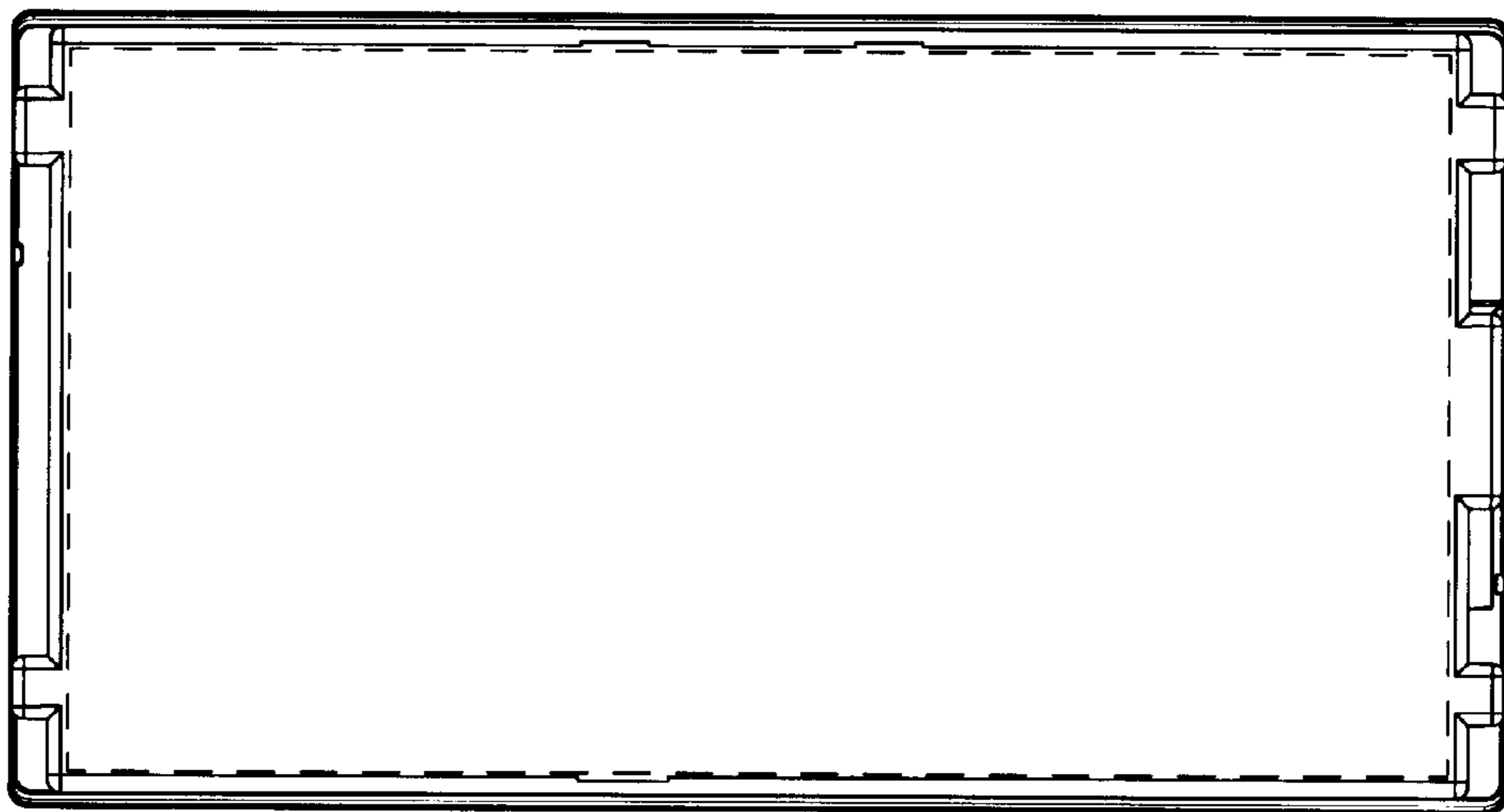
D305,639 S \* 1/1990 Miki et al. .... D13/103  
D331,906 S \* 12/1992 Mohri ..... D13/103  
D346,579 S \* 5/1994 Mohri ..... D13/103

**1 Claim, 4 Drawing Sheets**

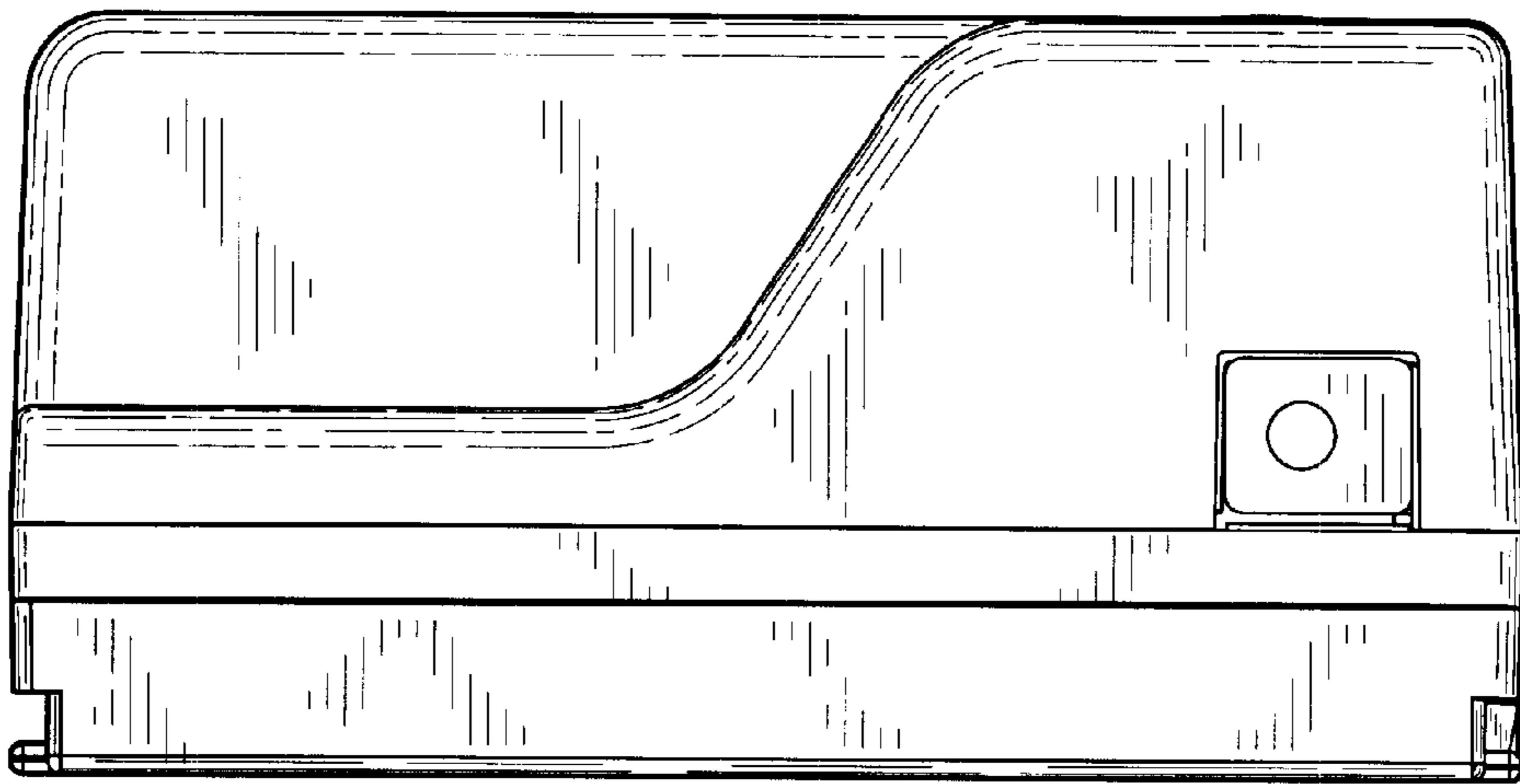




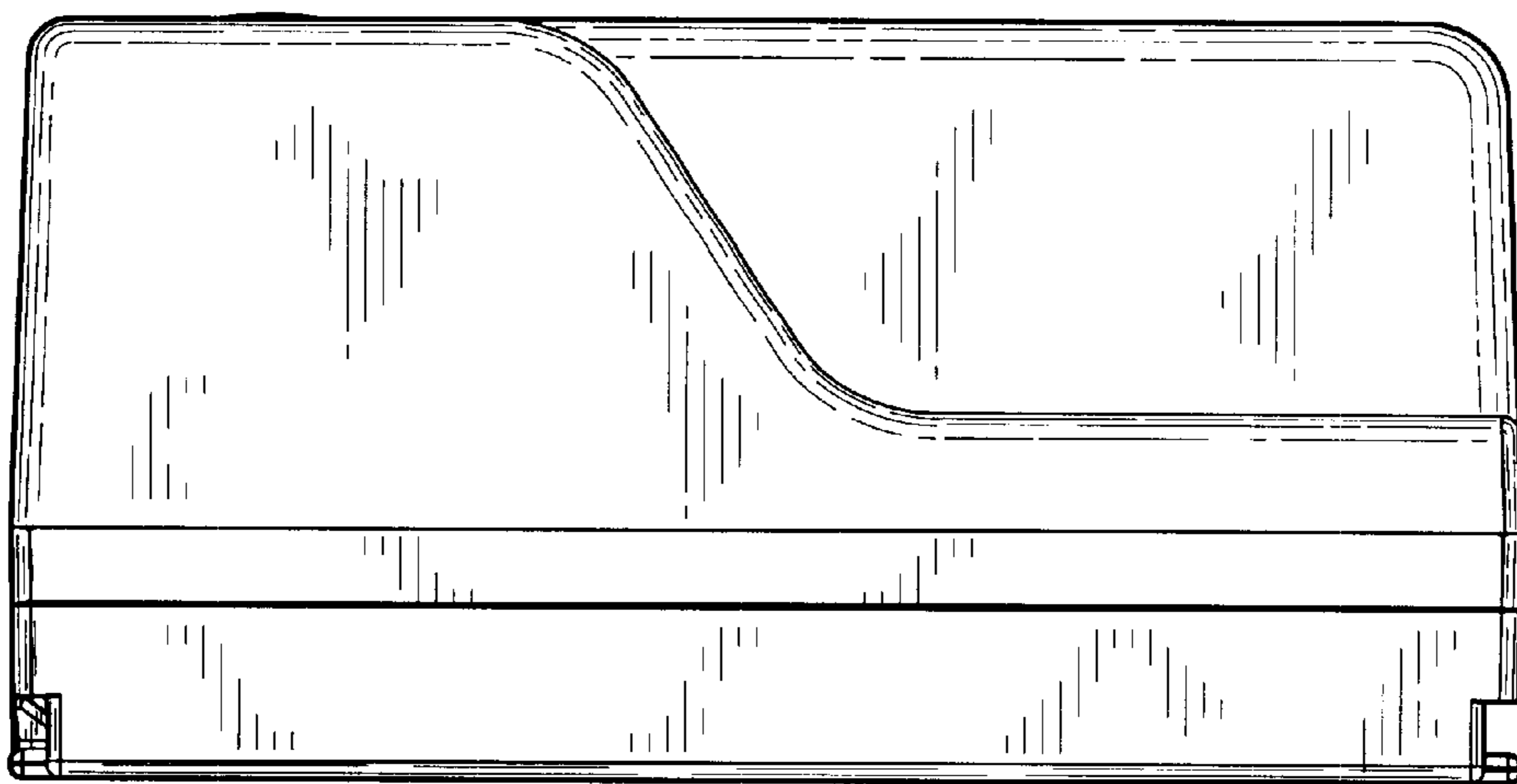
*FIG. 1*



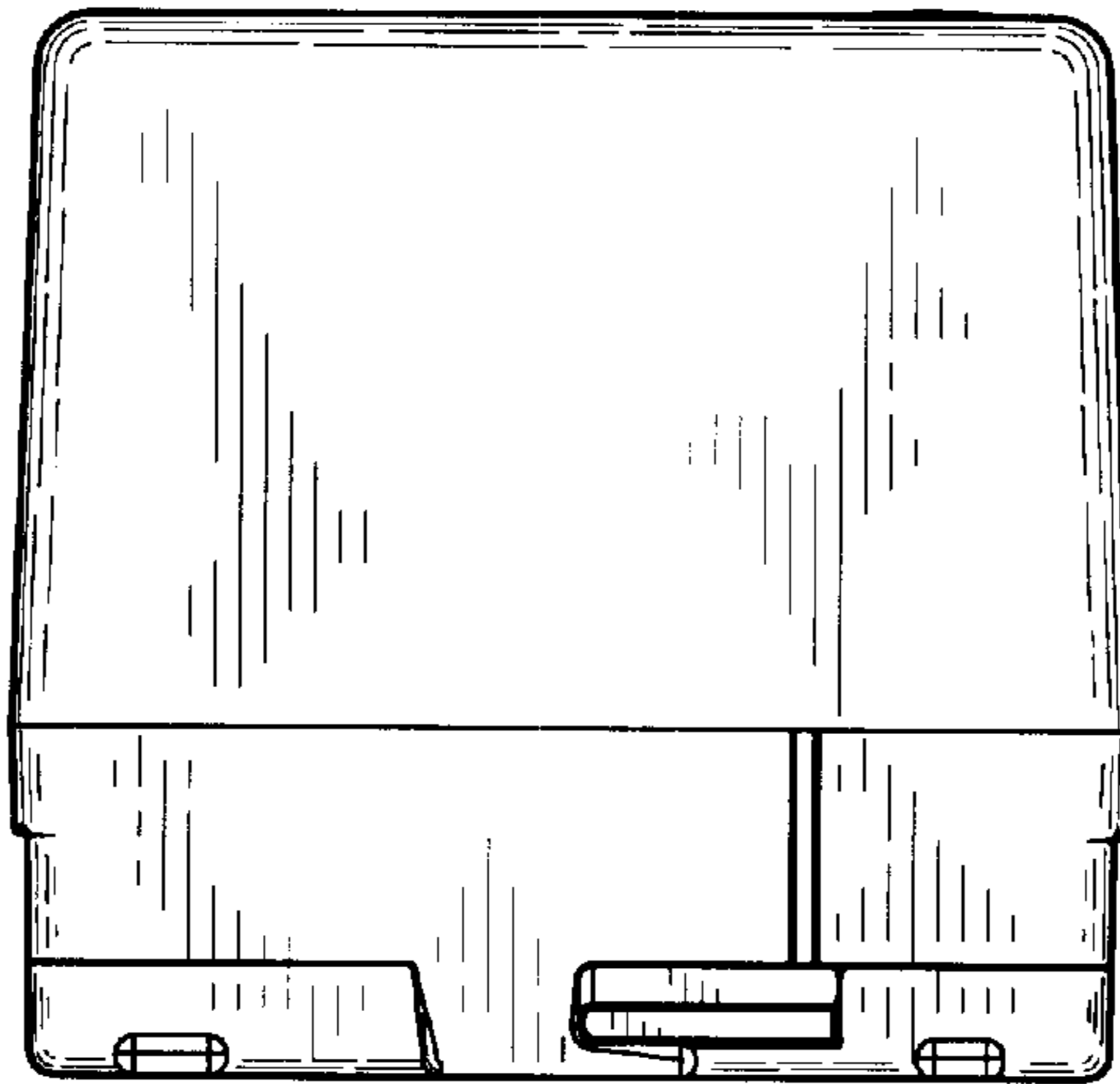
*FIG. 2*



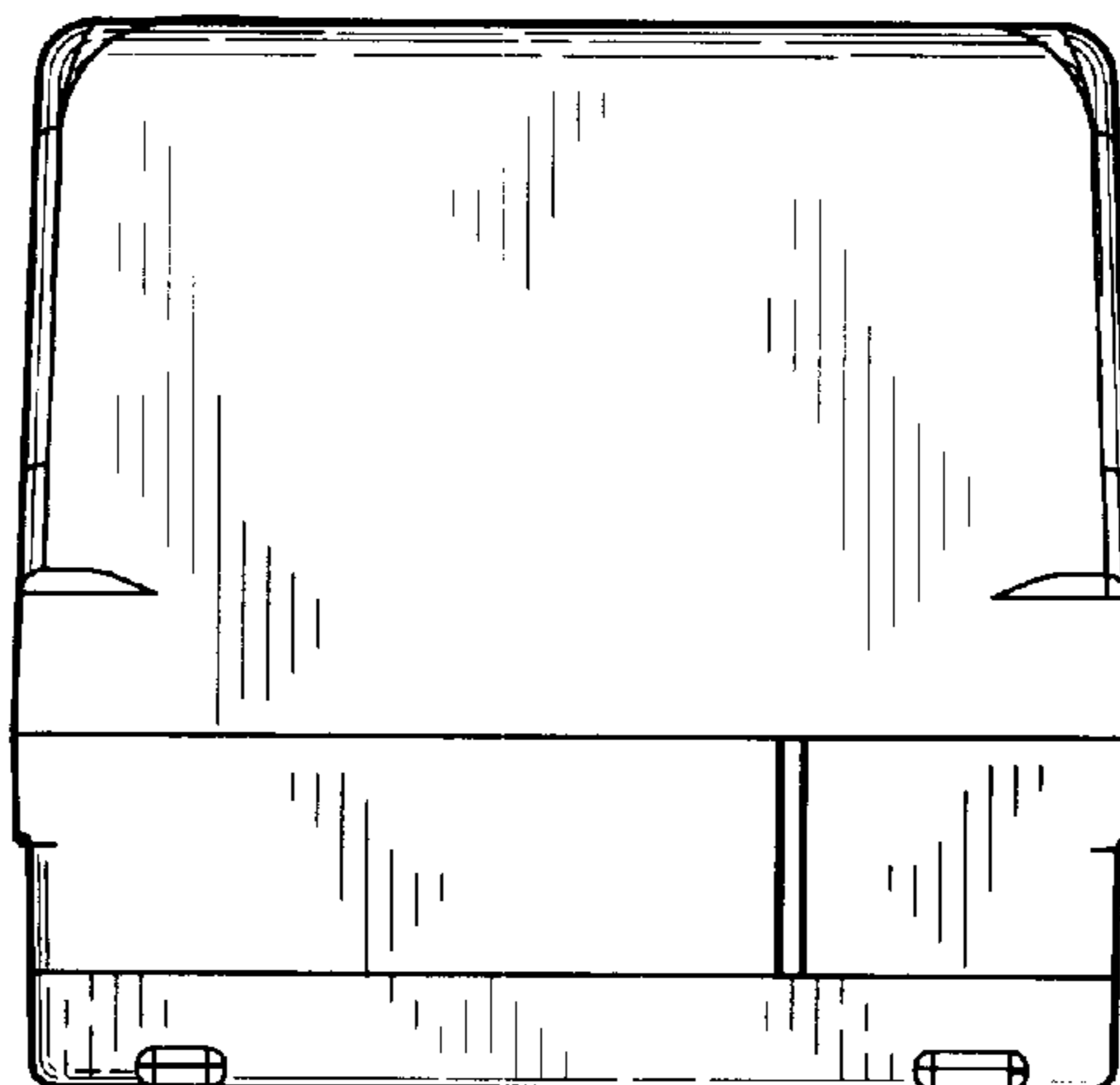
*FIG. 3*



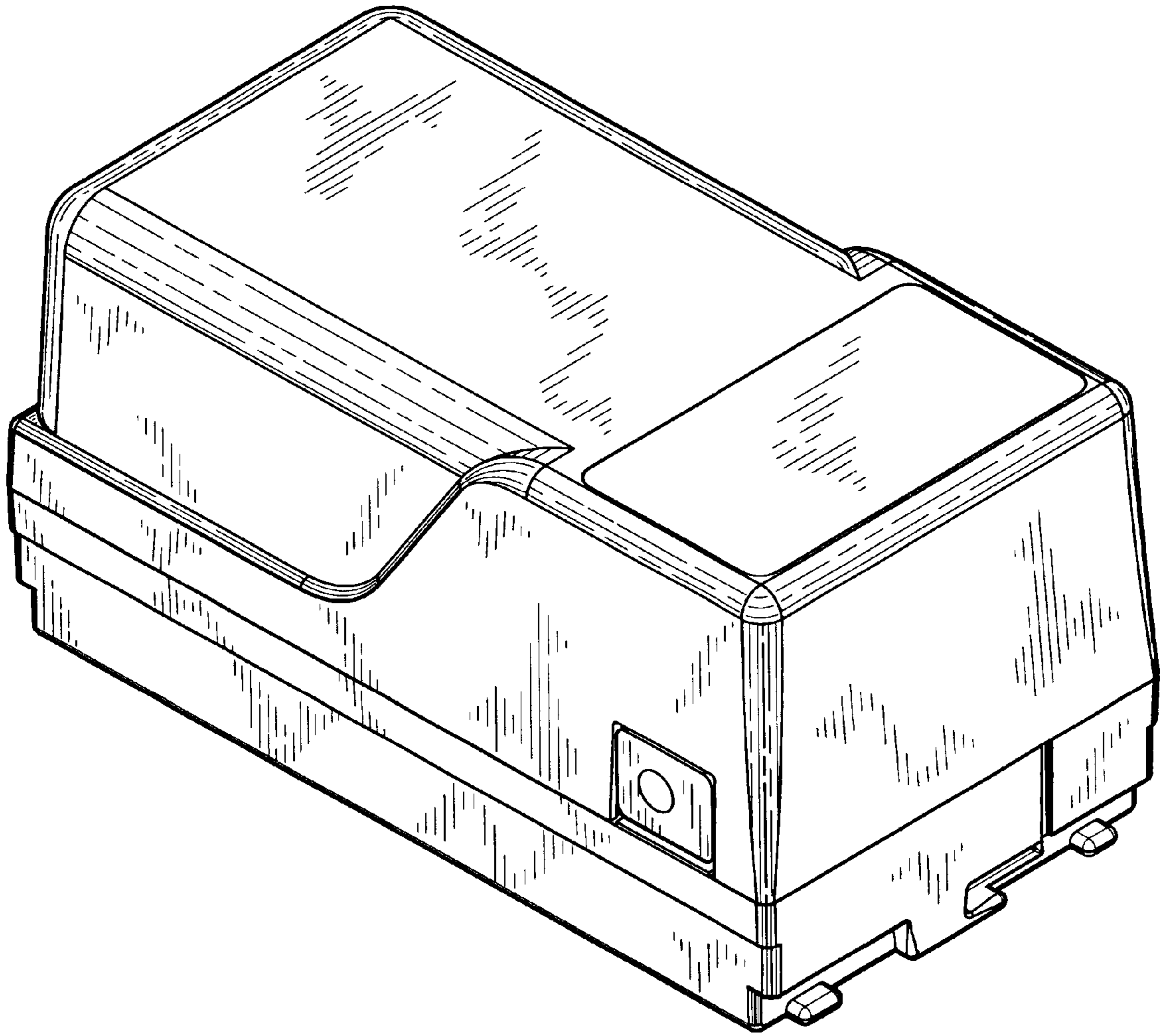
*FIG. 4*



*FIG. 5*



*FIG. 6*



***FIG. 7***