



US00D480353S

(12) **United States Design Patent**  
**Takahashi**

(10) **Patent No.:** **US D480,353 S**

(45) **Date of Patent:** **\*\* Oct. 7, 2003**

(54) **TRANSDUCER**

(75) Inventor: **Wataru Takahashi**, Fukushima (JP)

(73) Assignee: **Asahi Tsushin Co., Ltd.**, Fukushima (JP)

(\*\*) Term: **14 Years**

(21) Appl. No.: **29/149,764**

(22) Filed: **Oct. 16, 2001**

(51) **LOC (7) Cl.** ..... **13-02**

(52) **U.S. Cl.** ..... **D13/101**

(58) **Field of Search** ..... D13/101, 133,  
D13/146-147; 439/607, 492, 405

(56) **References Cited**

**U.S. PATENT DOCUMENTS**

D405,757 S \* 2/1999 Chiu ..... D13/133  
D413,100 S \* 8/1999 Nakazawa ..... D13/146

**FOREIGN PATENT DOCUMENTS**

JP 1124980 10/2001  
JP 1125132 10/2001

\* cited by examiner

*Primary Examiner*—Holly Baynham

(74) *Attorney, Agent, or Firm*—Jordan and Hamburg LLP

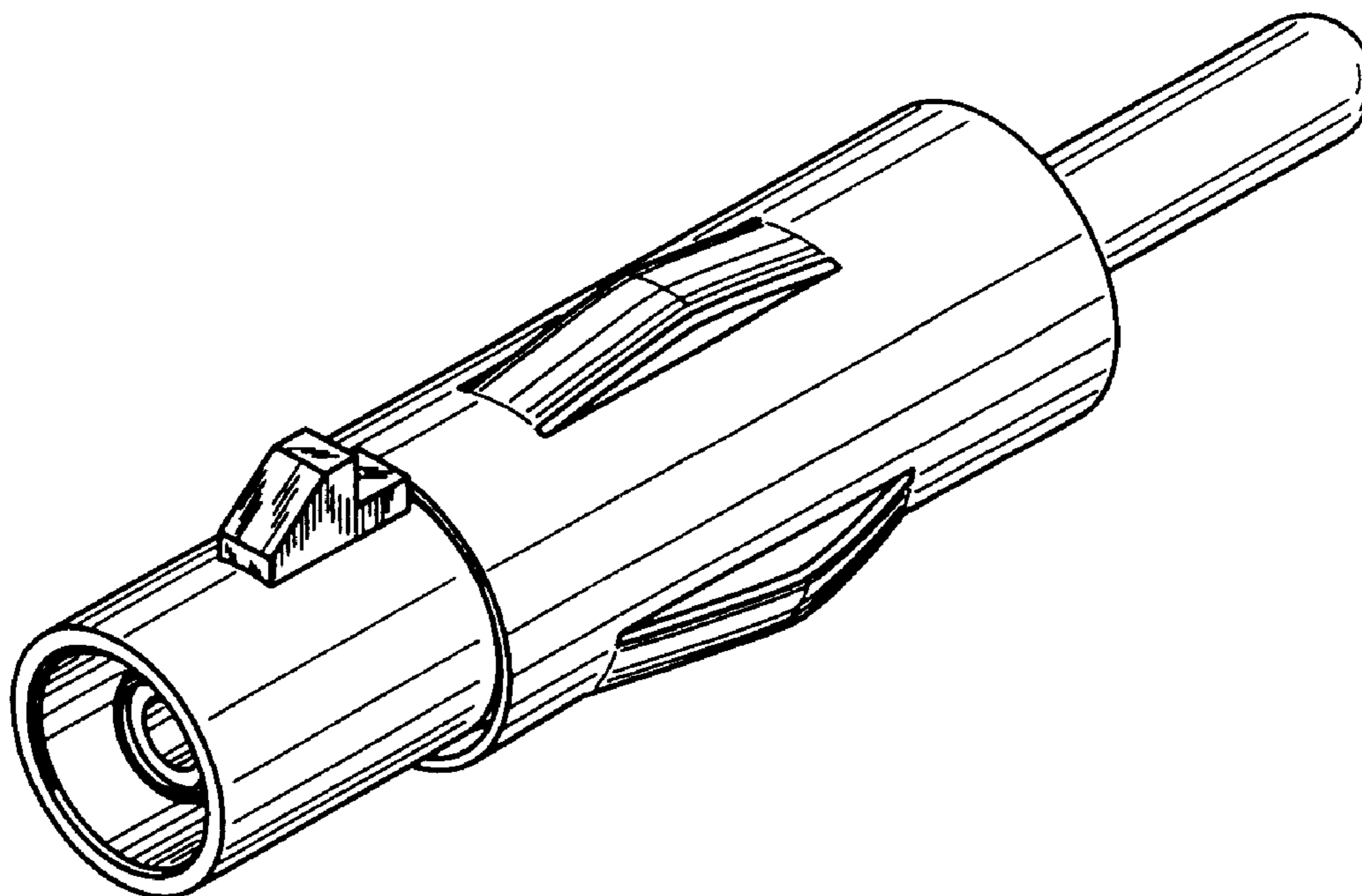
(57) **CLAIM**

The ornamental design for a transducer, as shown and described.

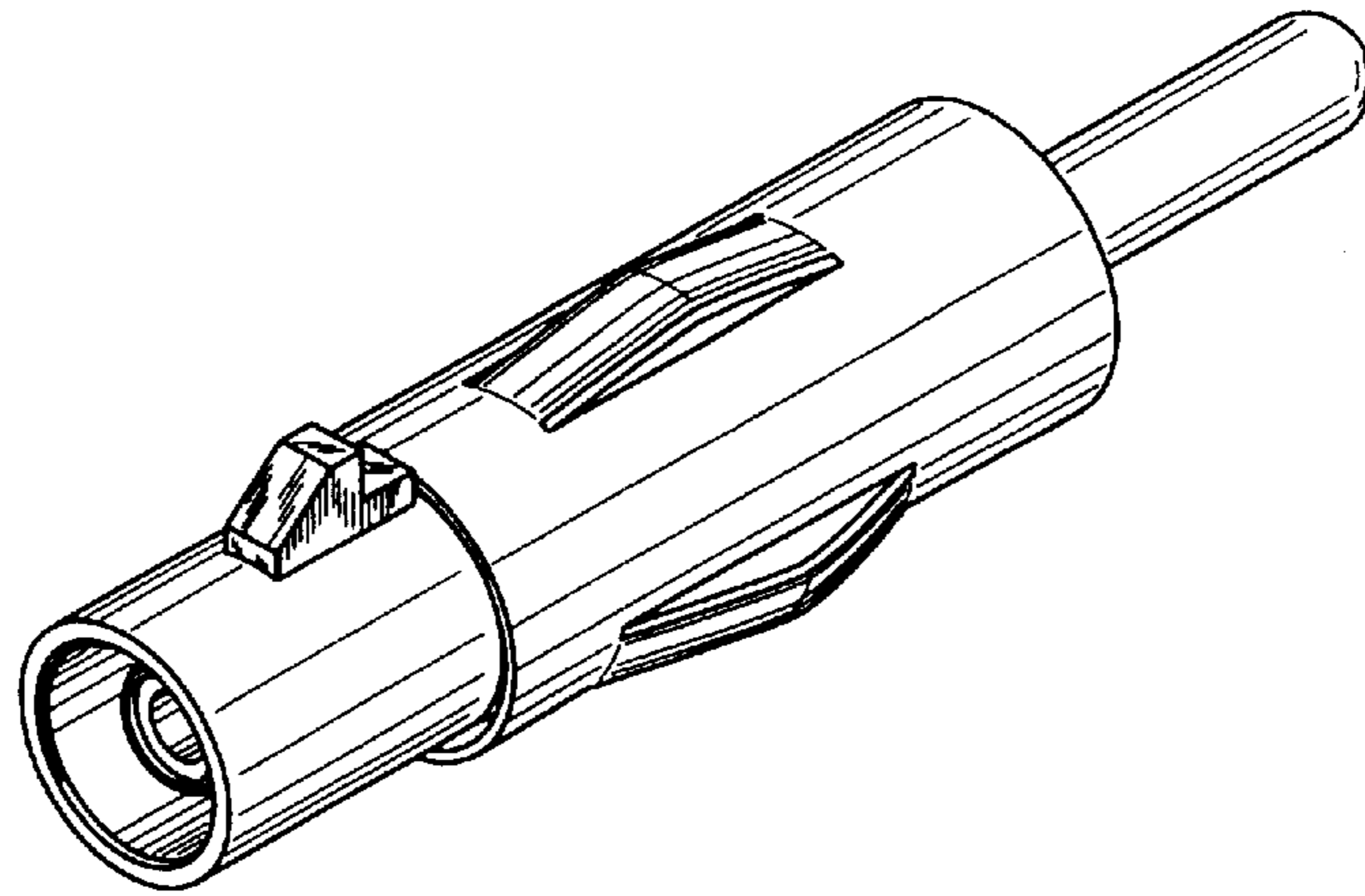
**DESCRIPTION**

FIG. 1 is a perspective view of a first embodiment of a transducer showing my new design;  
FIG. 2 is a front elevational view thereof;  
FIG. 3 is a top plan view thereof;  
FIG. 4 is a bottom plan view thereof;  
FIG. 5 is a left side elevational view thereof;  
FIG. 6 is a right side elevational view thereof;  
FIG. 7 is a perspective view of a transducer showing my new design;  
FIG. 8 is a front elevational view thereof;  
FIG. 9 is a top plan view thereof;  
FIG. 10 is a bottom plan view thereof;  
FIG. 11 is a left side elevational view thereof; and,  
FIG. 12 is a right side elevational view thereof.  
The rear elevational view of the first and second embodiments are omitted since such views would be the same as the respective front elevational views thereof.

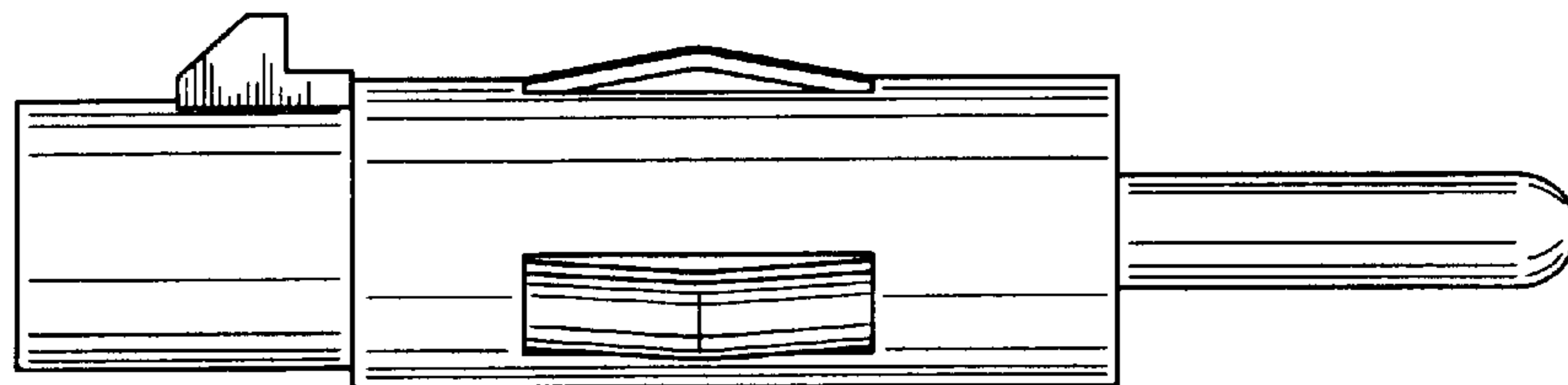
**1 Claim, 4 Drawing Sheets**



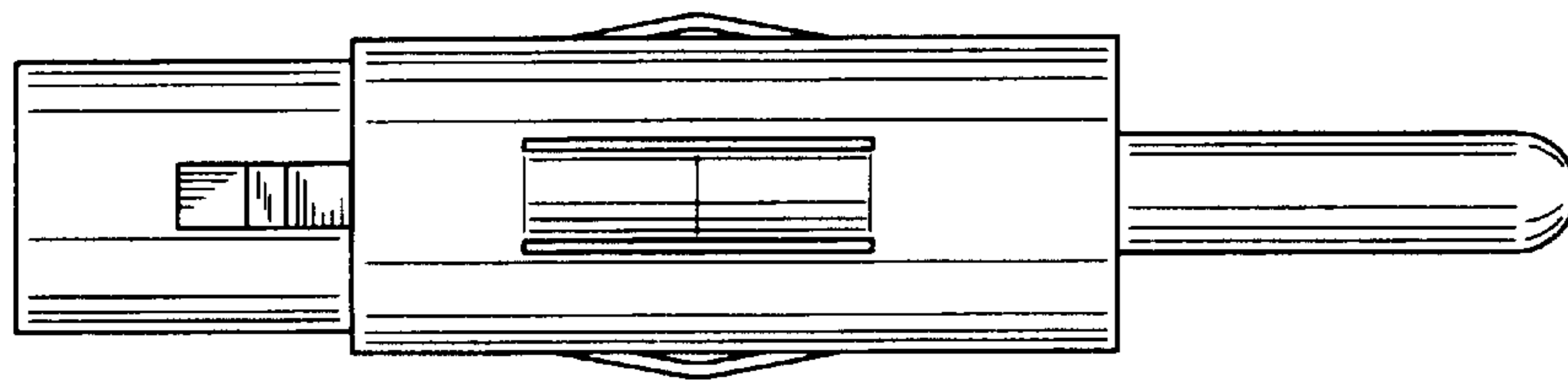
**FIG. 1**



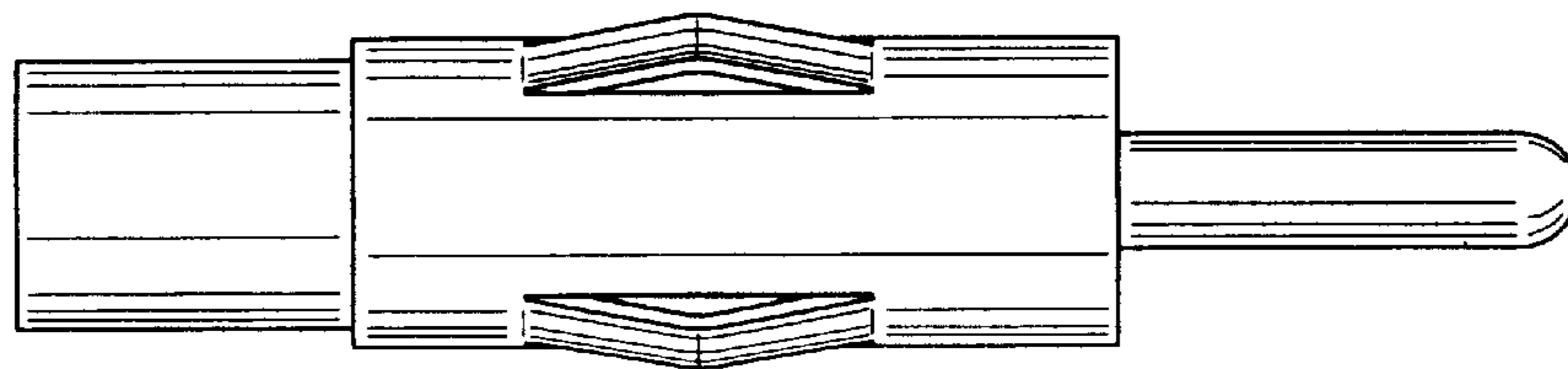
**FIG. 2**



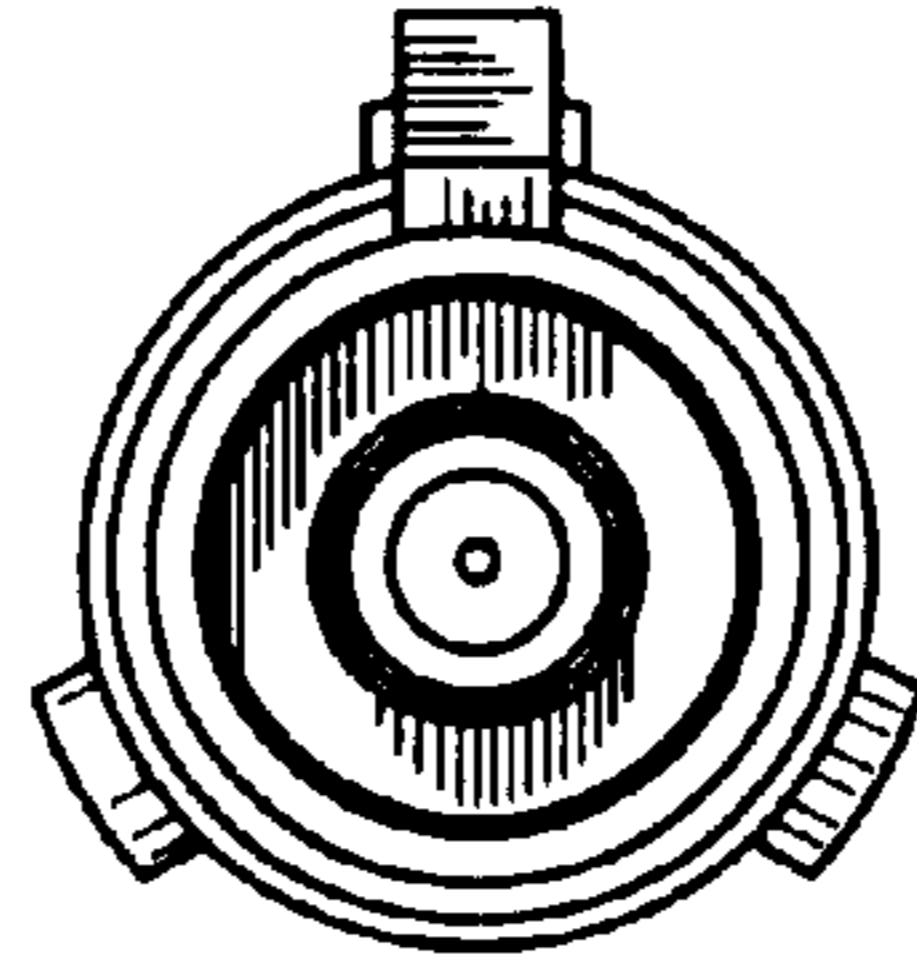
**FIG. 3**



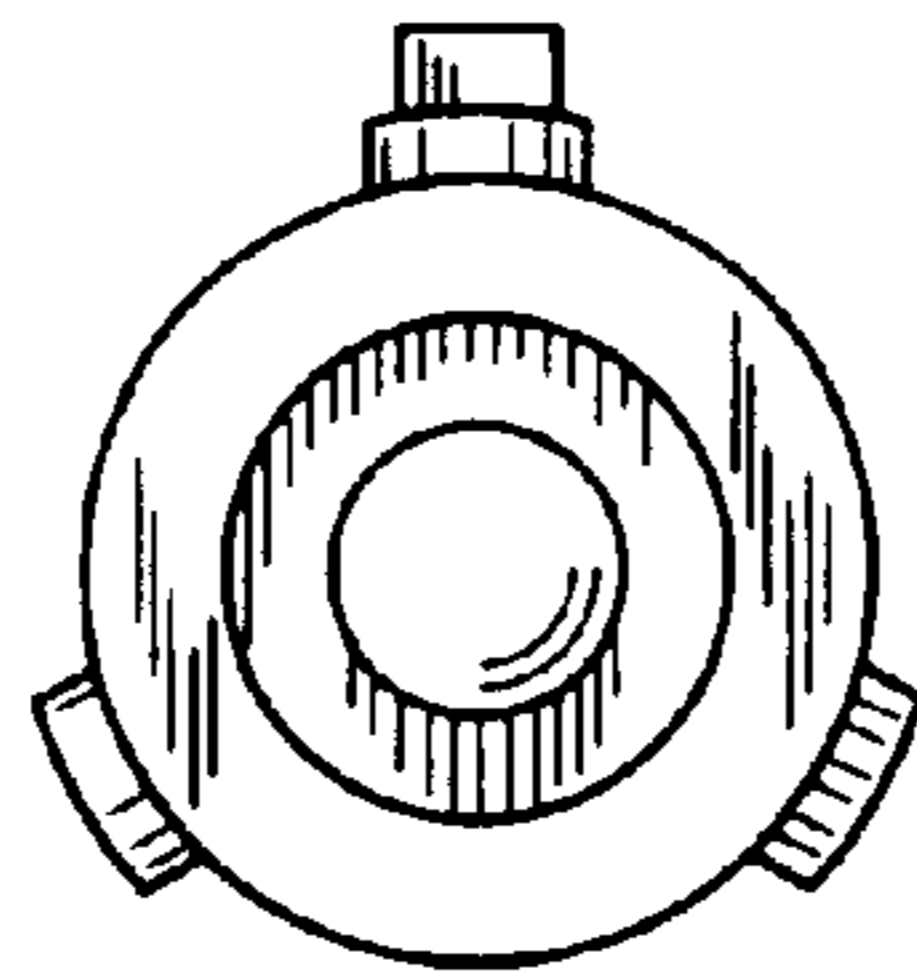
**FIG. 4**



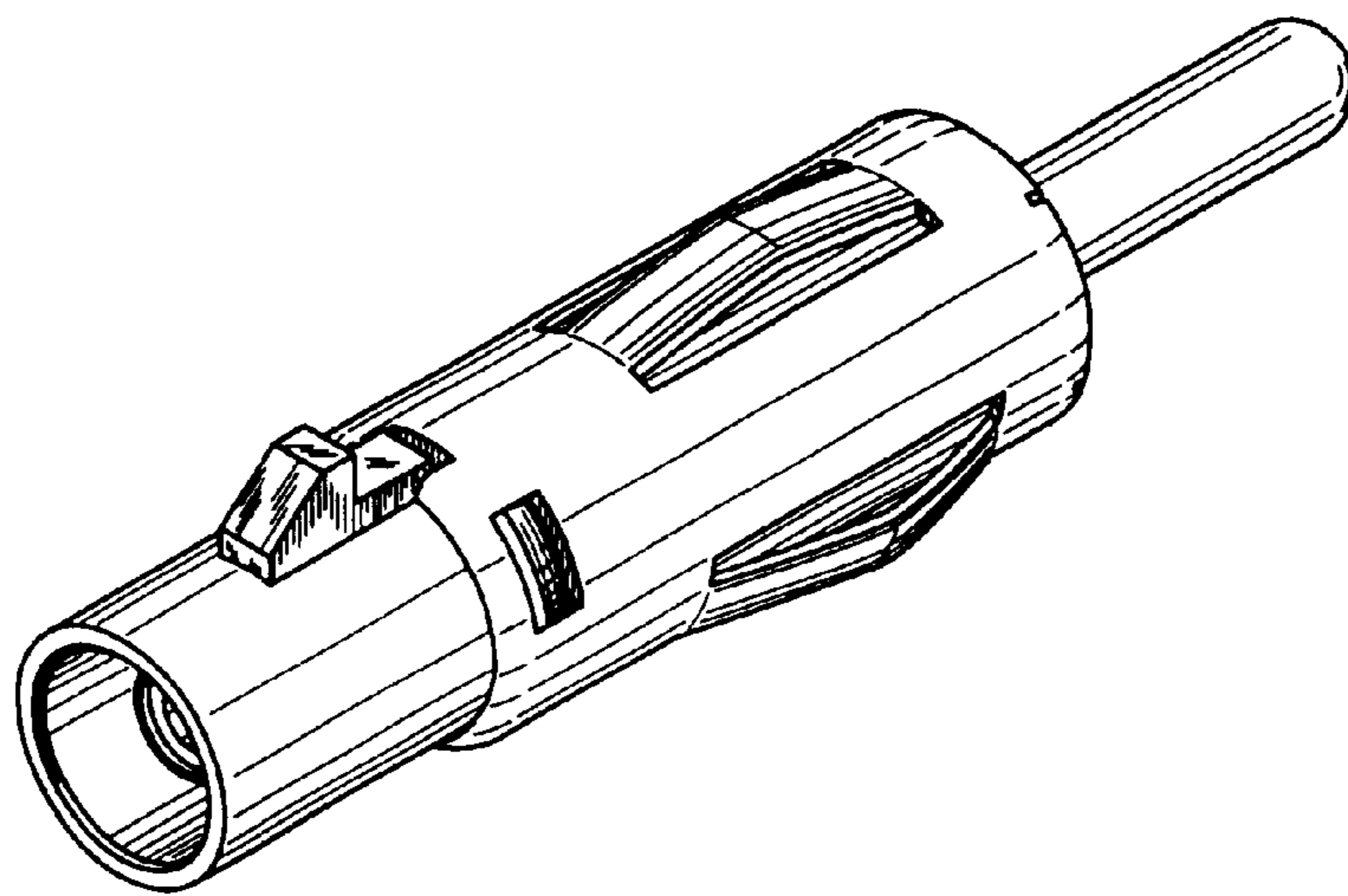
**FIG. 5**



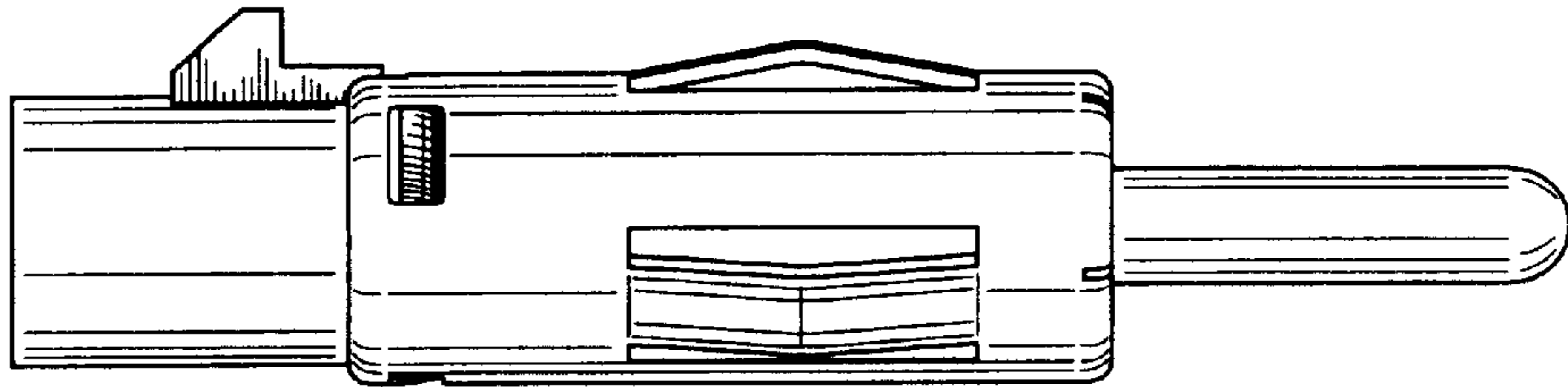
**FIG. 6**



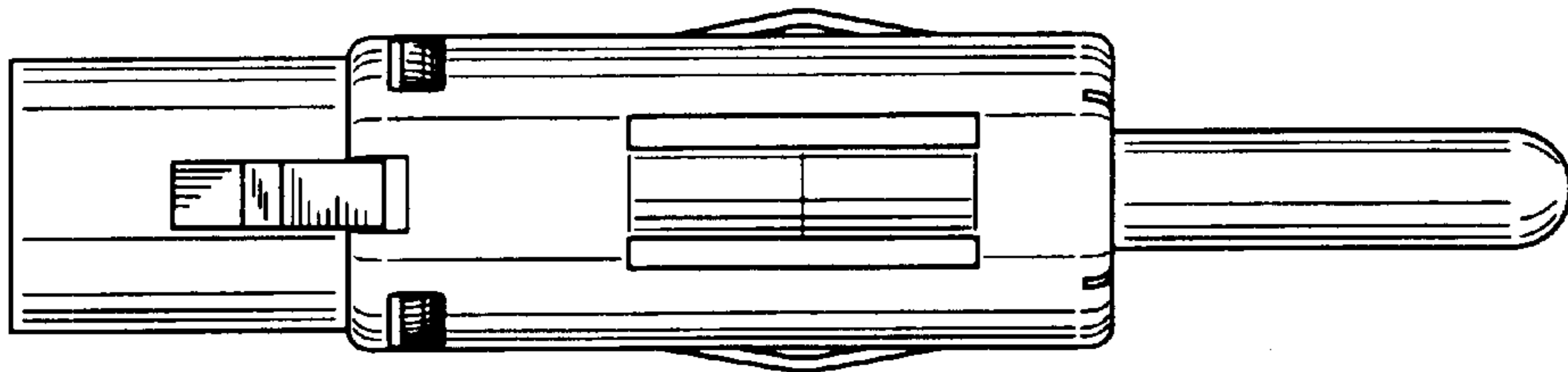
**FIG. 7**



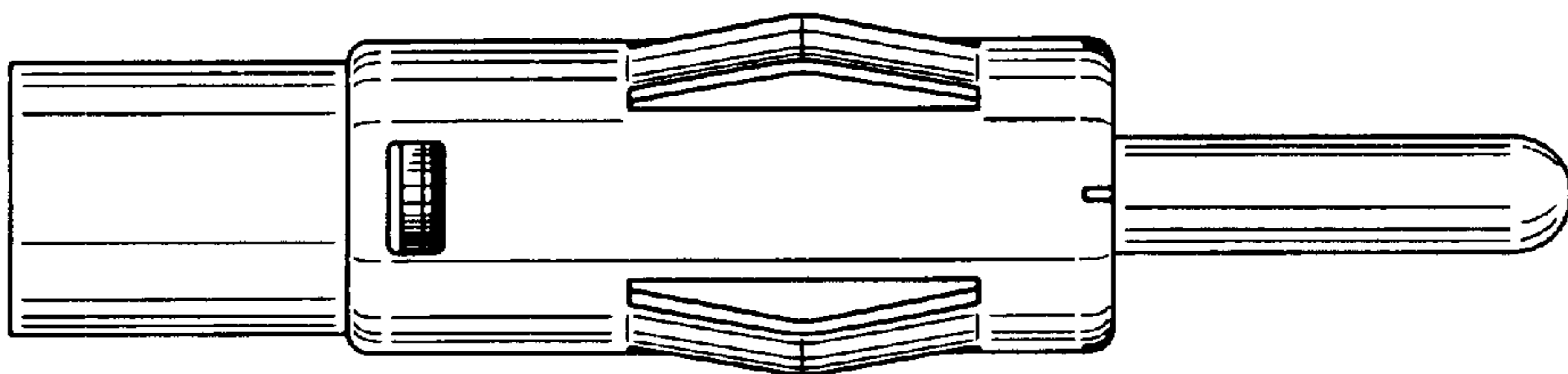
**FIG. 8**



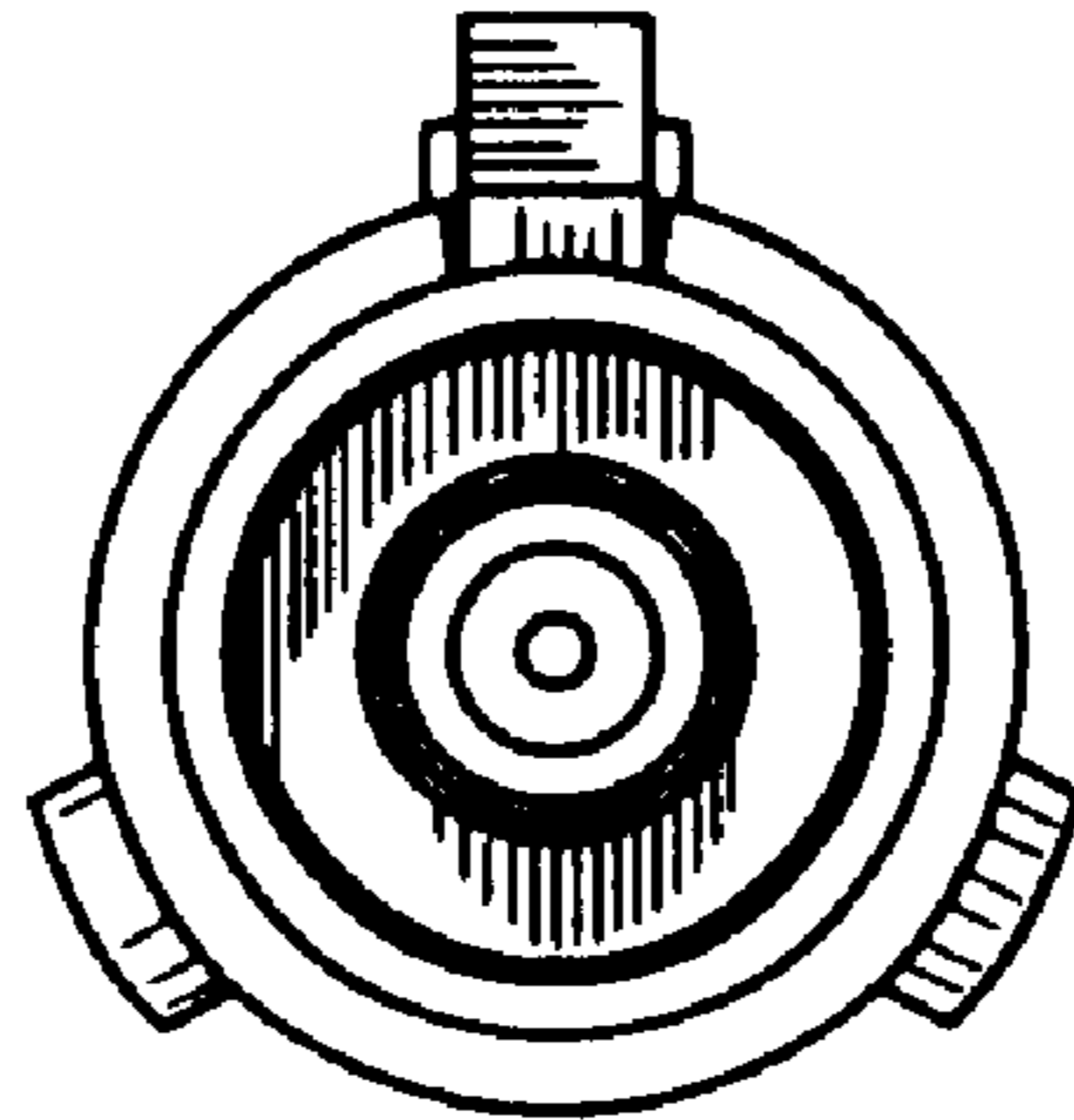
**FIG. 9**



**FIG. 10**



***FIG. 11***



***FIG. 12***

