



US00D480350S

(12) **United States Design Patent**
Ho

(10) **Patent No.:** **US D480,350 S**

(45) **Date of Patent:** **** Oct. 7, 2003**

(54) **MULTI-FUNCTION BIKE HOLDER**

4,039,106 A * 8/1977 Graber 224/329
4,442,961 A * 4/1984 Bott 211/20 X

(75) Inventor: **Mei Ling Ho**, Chong Ho (TW)

* cited by examiner

(73) Assignee: **Suncycle Enterprise Co., Ltd**, Taipei (TW)

Primary Examiner—Alan P. Douglas
Assistant Examiner—Linda Brooks

(**) Term: **14 Years**

(57) **CLAIM**

(21) Appl. No.: **29/164,250**

The ornamental design for a multi-function bike holder, as shown and described.

(22) Filed: **Jul. 17, 2002**

DESCRIPTION

(51) **LOC (7) Cl.** **12-16**

(52) **U.S. Cl.** **D12/408**

(58) **Field of Search** D12/407, 408,
D12/412, 115; 224/402, 405, 412, 419,
42.11, 329, 488, 489, 495, 496, 309-311,
924; 211/5, 17-22

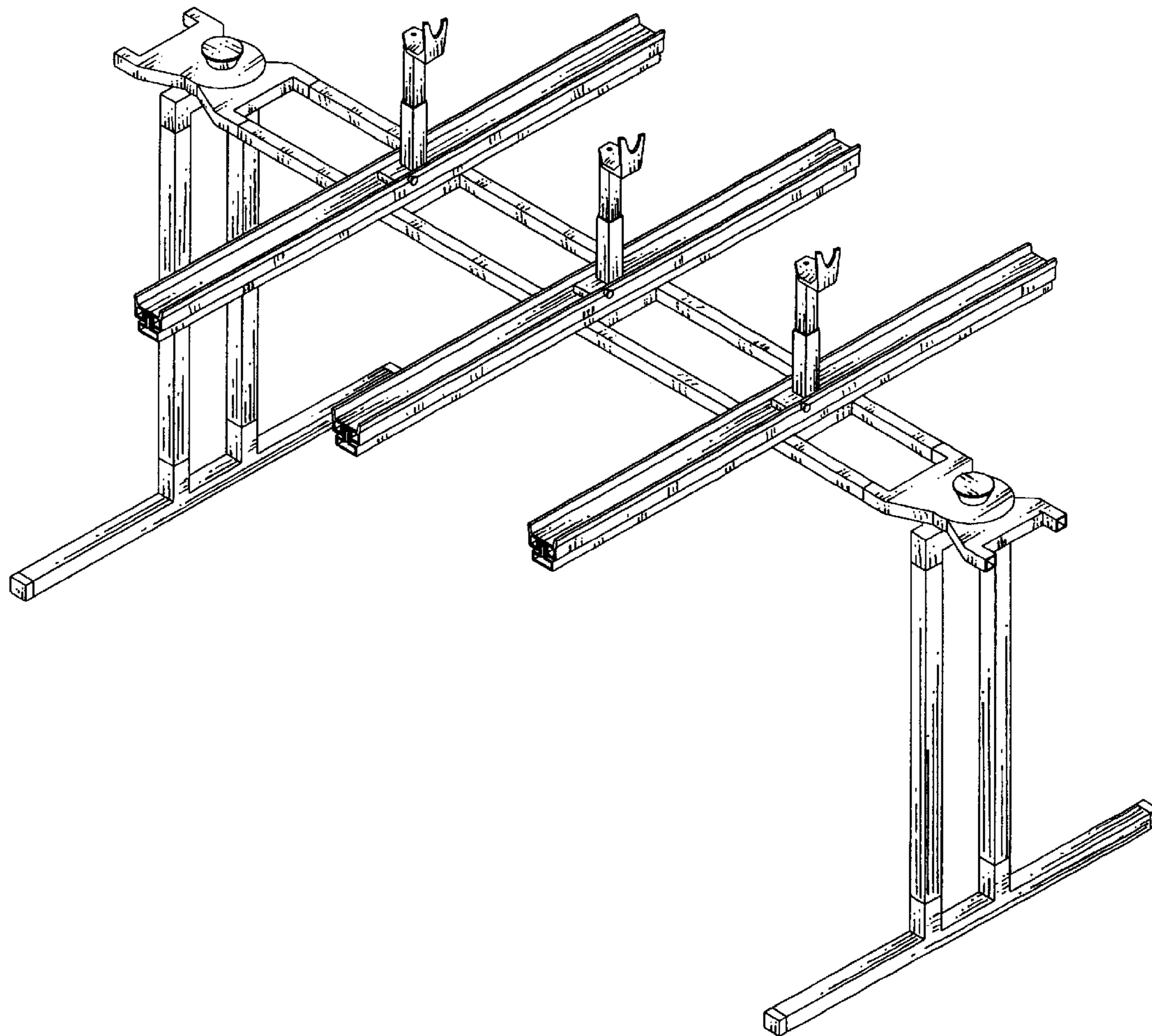
FIG. 1 is a perspective view of a multi-function bike holder showing my new design;
FIG. 2 is a front elevational view thereof;
FIG. 3 is a rear elevational view thereof;
FIG. 4 is a top plan view thereof;
FIG. 5 is a bottom plan view thereof;
FIG. 6 is a left side elevational view thereof; and,
FIG. 7 is a right side elevational view thereof.

(56) **References Cited**

U.S. PATENT DOCUMENTS

3,912,139 A * 10/1975 Bowman 211/22 X

1 Claim, 7 Drawing Sheets



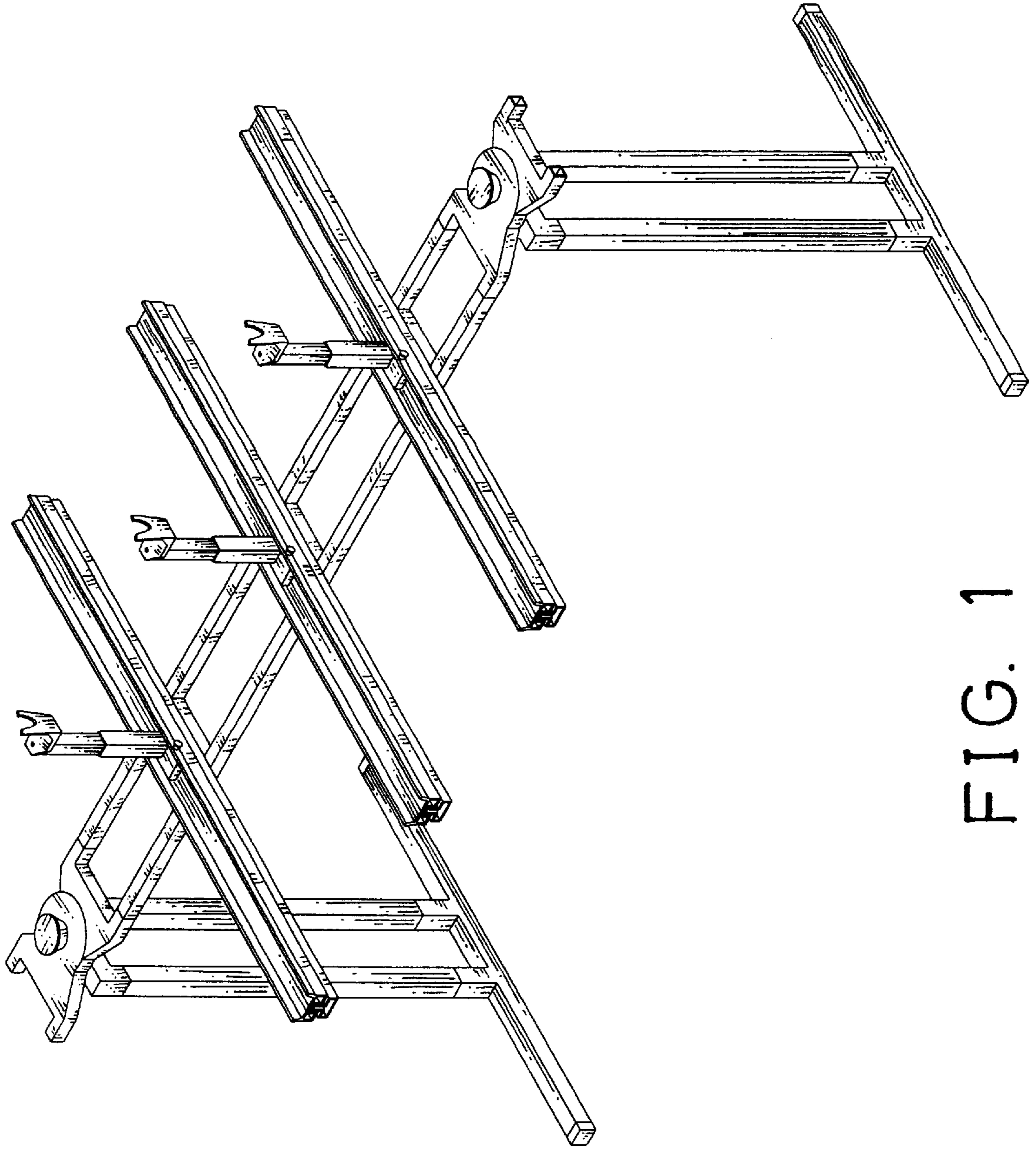


FIG. 1

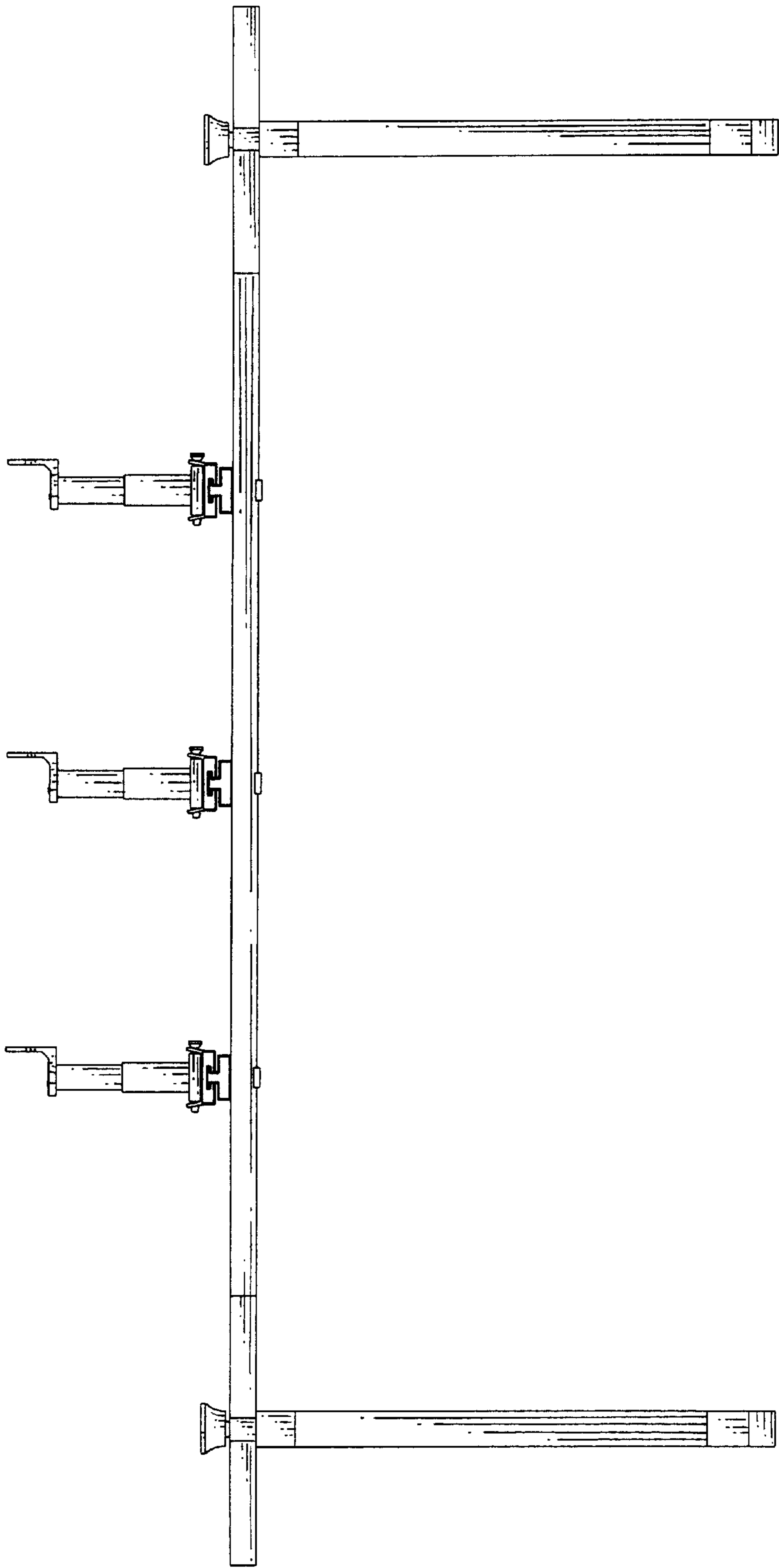


FIG. 2

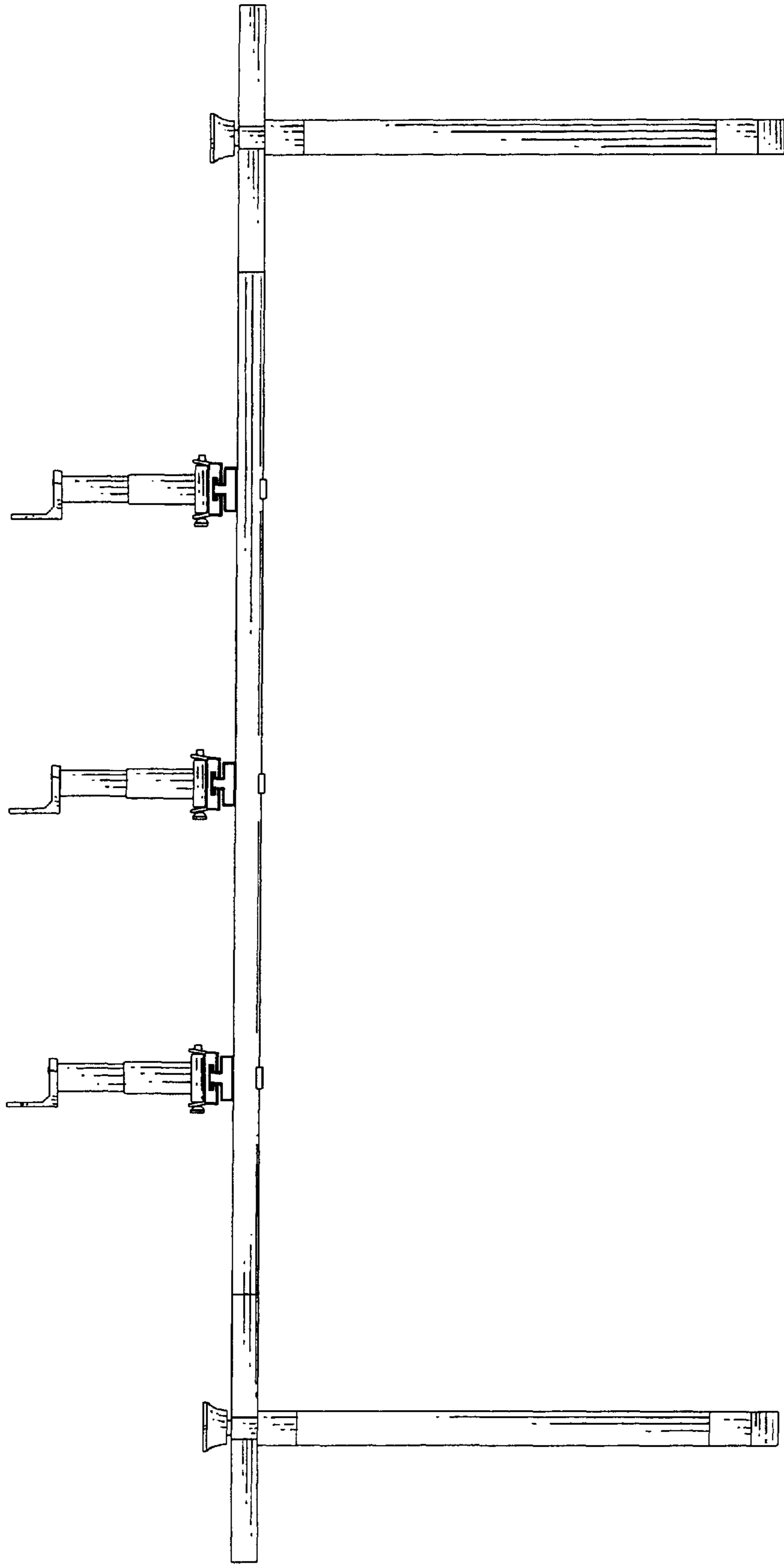


FIG. 3

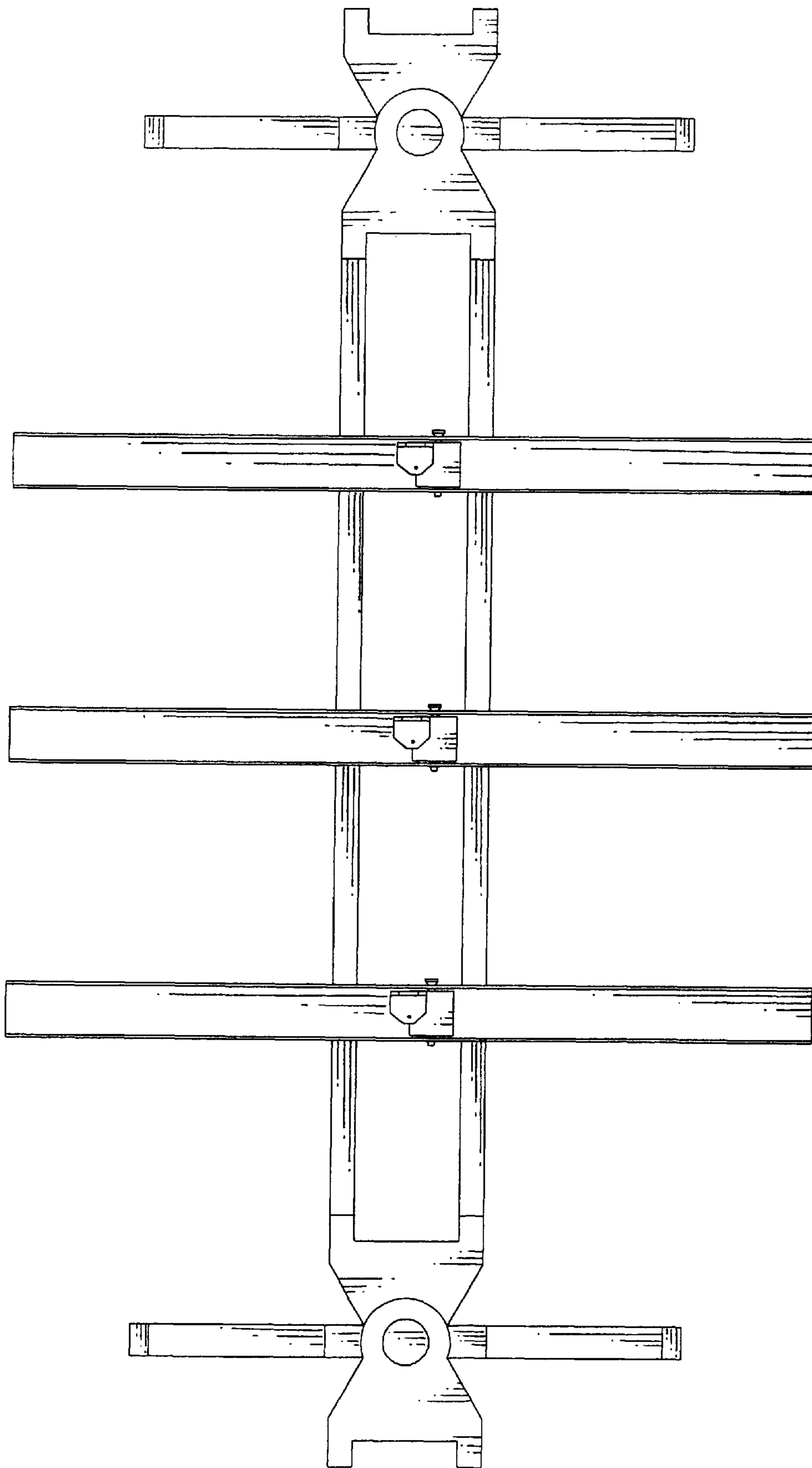


FIG. 4

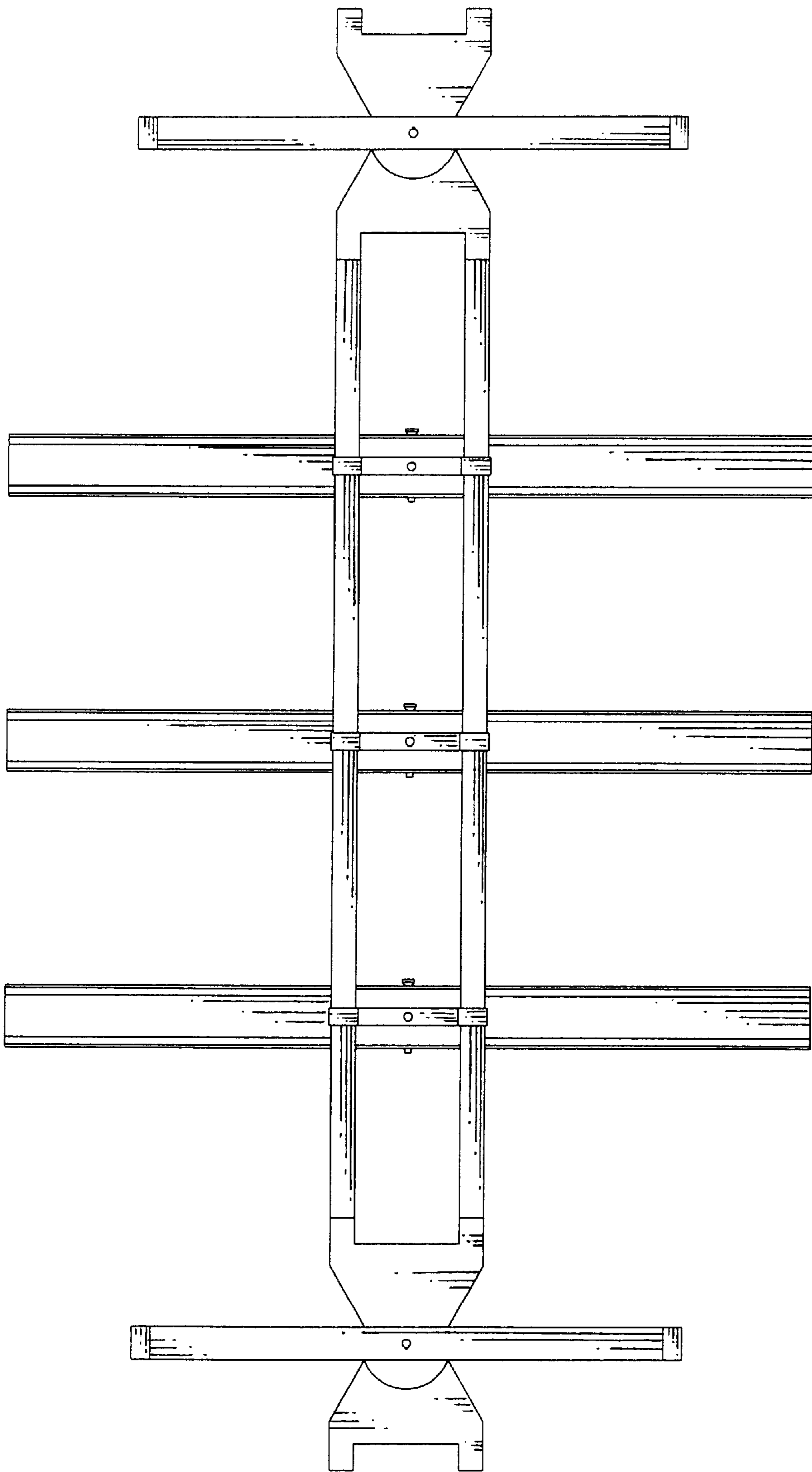


FIG. 5

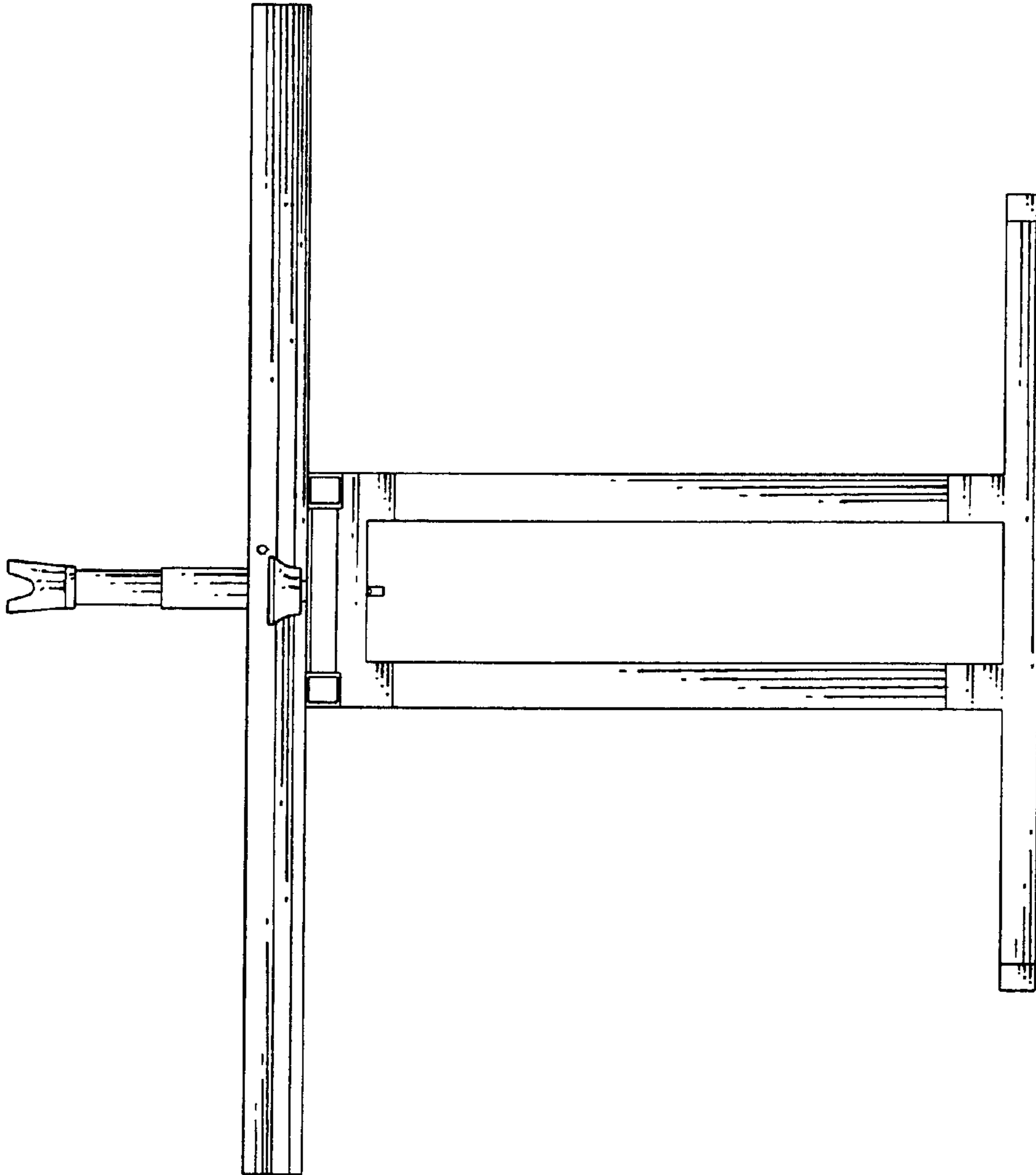


FIG. 6

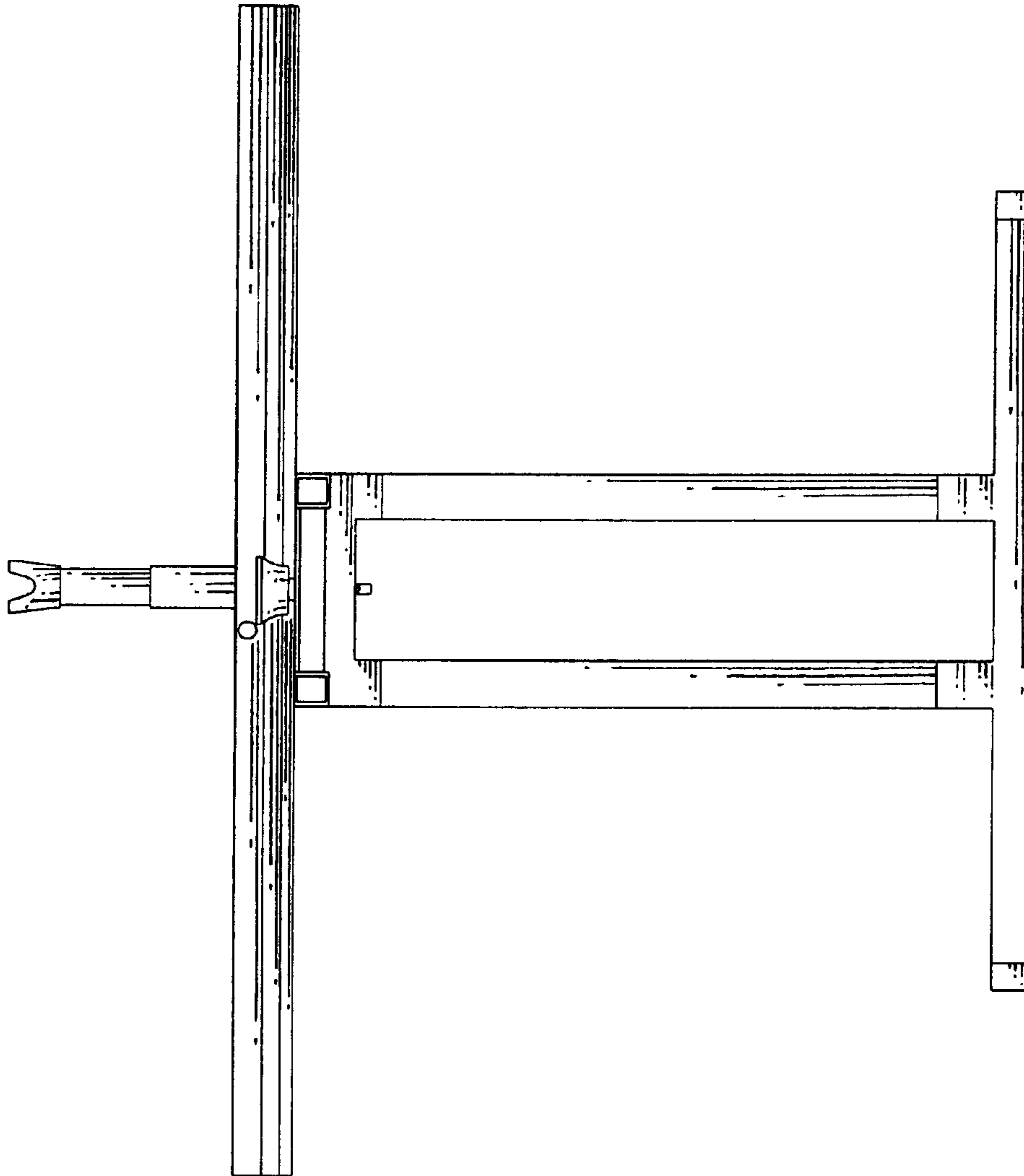


FIG. 7