



US00D480346S

(12) **United States Design Patent**
Kataoka

(10) **Patent No.:** **US D480,346 S**

(45) **Date of Patent:** **** Oct. 7, 2003**

(54) **AUTOMOTIVE WHEEL**

(75) **Inventor:** **Tatsuya Kataoka, Ota Gunma (JP)**

(73) **Assignee:** **Kaizer Motor Sports Co., Rancho Dominguez, CA (US)**

(**) **Term:** **14 Years**

(21) **Appl. No.:** **29/172,501**

(22) **Filed:** **Dec. 13, 2002**

(51) **LOC (7) Cl.** **12-16**

(52) **U.S. Cl.** **D12/209**

(58) **Field of Search** **D12/204-211;**
301/37.101, 64.101, 65

(56) **References Cited**

U.S. PATENT DOCUMENTS

D407,052 S	*	3/1999	Kelley	D12/209
D432,972 S	*	10/2000	Chung	D12/209
D455,387 S	*	4/2002	McMath	D12/209
D456,331 S	*	4/2002	Chung	D12/209
D457,849 S	*	5/2002	Kataoka	D12/209

D458,572 S	*	6/2002	Fitzgerald	D12/209
D458,887 S	*	6/2002	Kataoka	D12/209
D461,154 S	*	8/2002	Kataoka	D12/209
D463,348 S	*	9/2002	Kataoka	D12/209
D466,462 S	*	12/2002	Lee	D12/209
D469,049 S	*	1/2003	Kataoka	D12/209
D471,500 S	*	3/2003	Kataoka	D12/209

* cited by examiner

Primary Examiner—Stacia Cadmus

(74) *Attorney, Agent, or Firm*—G. Donald Weber, Jr.

(57) **CLAIM**

The ornamental design for an automotive wheel, as shown and described.

DESCRIPTION

FIG. 1 is a perspective view of the automotive wheel of the instant invention; and, FIG. 2 is a side elevation view of the automotive wheel of the instant invention.

The broken line showing of environment is for illustrative purposes only and forms no part of the claimed design.

1 Claim, 1 Drawing Sheet

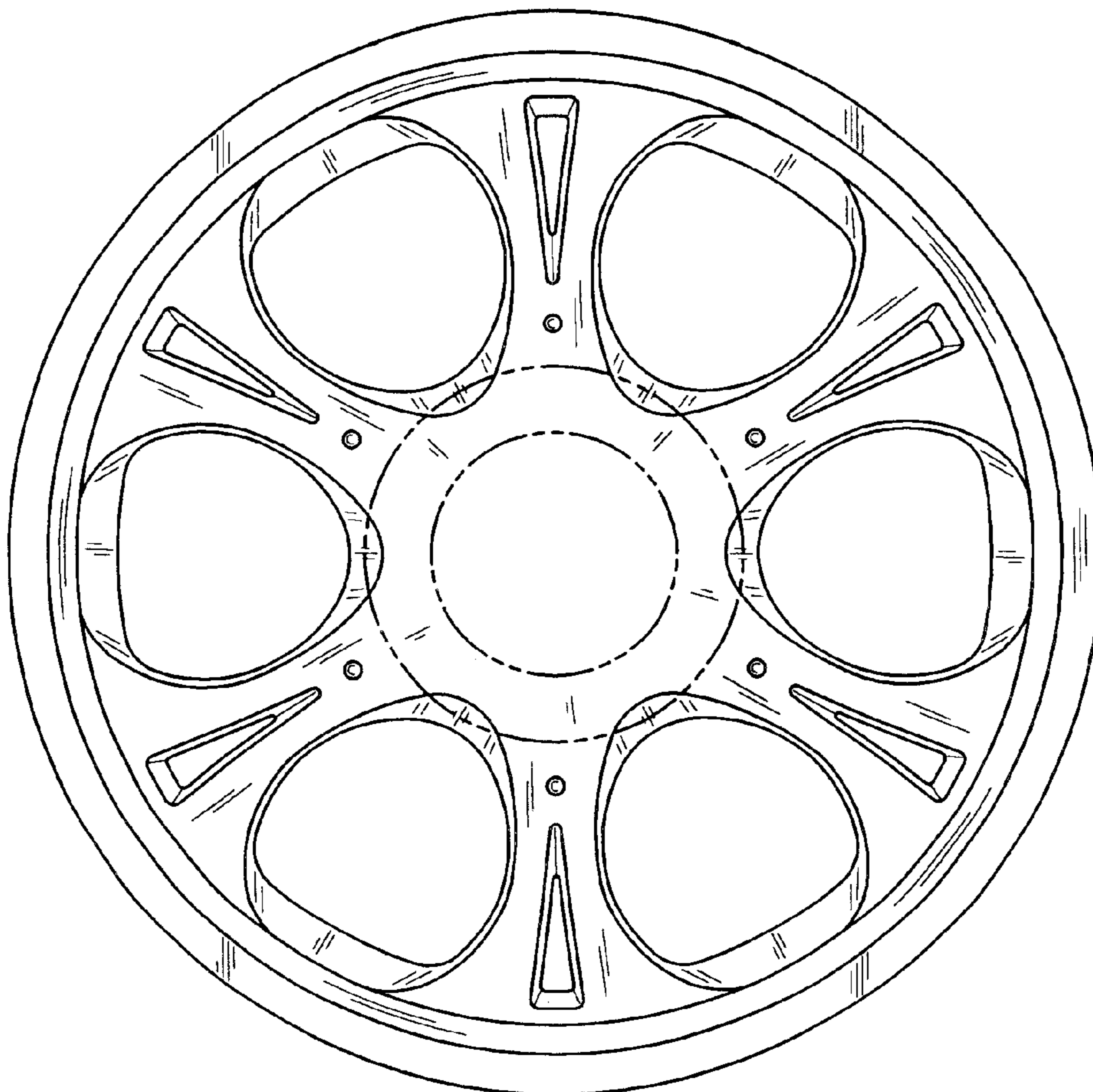


Fig. 1

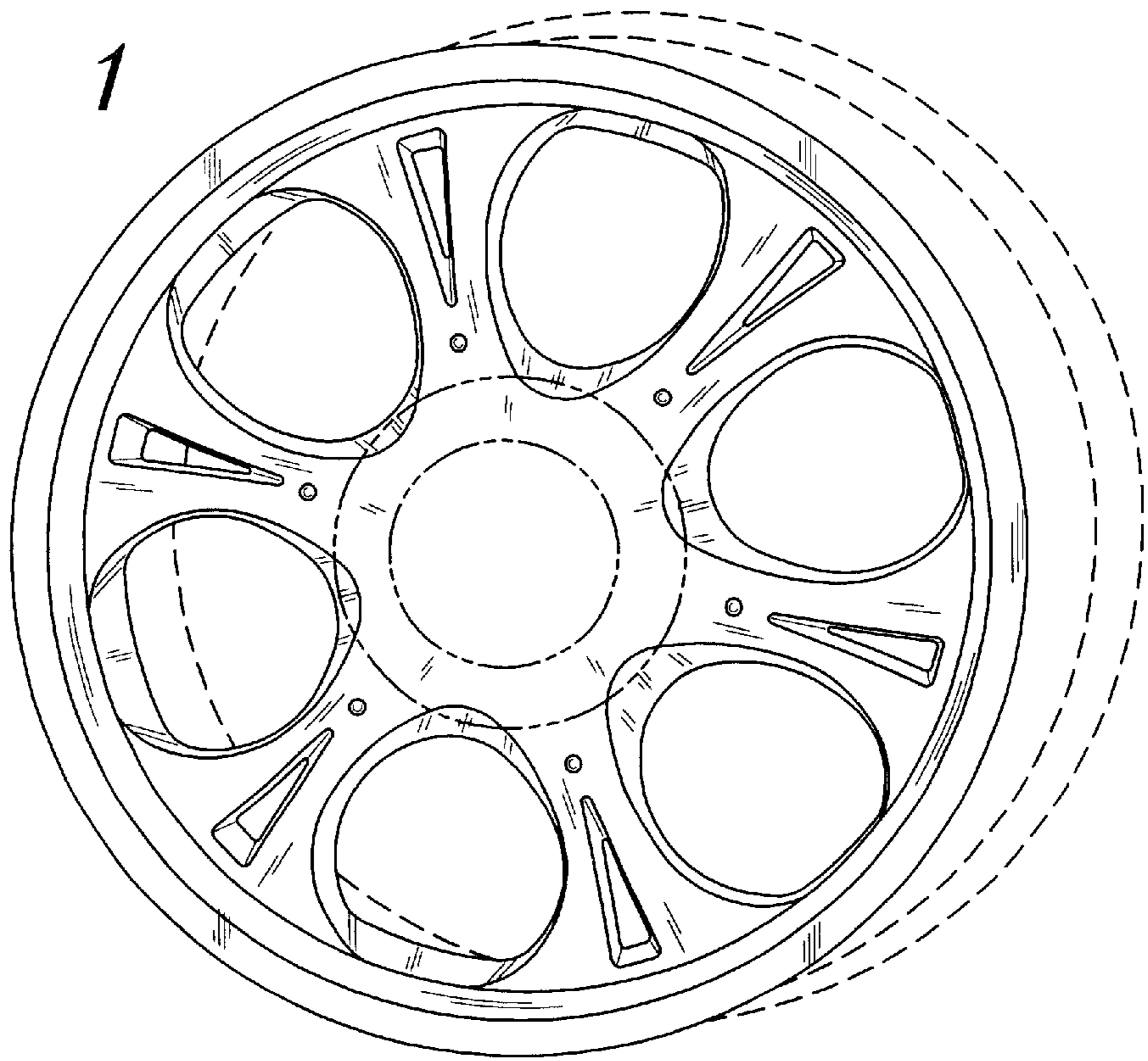


Fig. 2

