



US00D480343S

(12) **United States Design Patent**  
**Oh**

(10) **Patent No.:** **US D480,343 S**

(45) **Date of Patent:** **\*\* Oct. 7, 2003**

(54) **AUTOMOTIVE WHEEL**

(75) **Inventor:** **Steve Oh**, Cerritos, CA (US)

(73) **Assignee:** **Branzach Corporation**, Paramount, CA (US)

(\*\*) **Term:** **14 Years**

(21) **Appl. No.:** **29/153,421**

(22) **Filed:** **Jan. 9, 2002**

(51) **LOC (7) Cl.** ..... **12-16**

(52) **U.S. Cl.** ..... **D12/209**

(58) **Field of Search** ..... D12/204-211;  
301/37.101, 64.101, 65

(56) **References Cited**

**U.S. PATENT DOCUMENTS**

D398,573 S	*	9/1998	Cattaneo	.....	D12/211
D407,364 S	*	3/1999	Fisker	.....	D12/209
D422,258 S	*	4/2000	Hale, Jr.	.....	D12/211
D428,846 S	*	8/2000	Yoshida et al.	.....	D12/211
D432,974 S	*	10/2000	Jablonski	.....	D12/211
D433,659 S	*	11/2000	Frizzi	.....	D12/211
D437,819 S	*	2/2001	Brown et al.	.....	D12/209
D438,505 S	*	3/2001	McMath	.....	D12/211
D449,028 S	*	10/2001	Weidhase	.....	D12/209

D450,647 S	*	11/2001	Pfeiffer	.....	D12/211
D454,105 S	*	3/2002	Pfeiffer	.....	D12/209
D458,203 S	*	6/2002	Kataoka	.....	D12/209
D458,204 S	*	6/2002	Kataoka	.....	D12/209
D458,571 S	*	6/2002	Maifrini	.....	D12/209
D458,572 S	*	6/2002	Fitzgerald	.....	D12/209
D458,887 S	*	6/2002	Kataoka	.....	D12/209
D460,037 S	*	7/2002	Takechi	.....	D12/211
D467,213 S	*	12/2002	Pfeiffer et al.	.....	D12/211
D467,855 S	*	12/2002	Laengerer	.....	D12/209
D469,048 S	*	1/2003	Van Hooydonk	.....	D12/209
D474,139 S	*	5/2003	Warming	.....	D12/209

\* cited by examiner

*Primary Examiner*—Stacia Cadmus

(74) *Attorney, Agent, or Firm*—G. Donald Weber, Jr.

(57) **CLAIM**

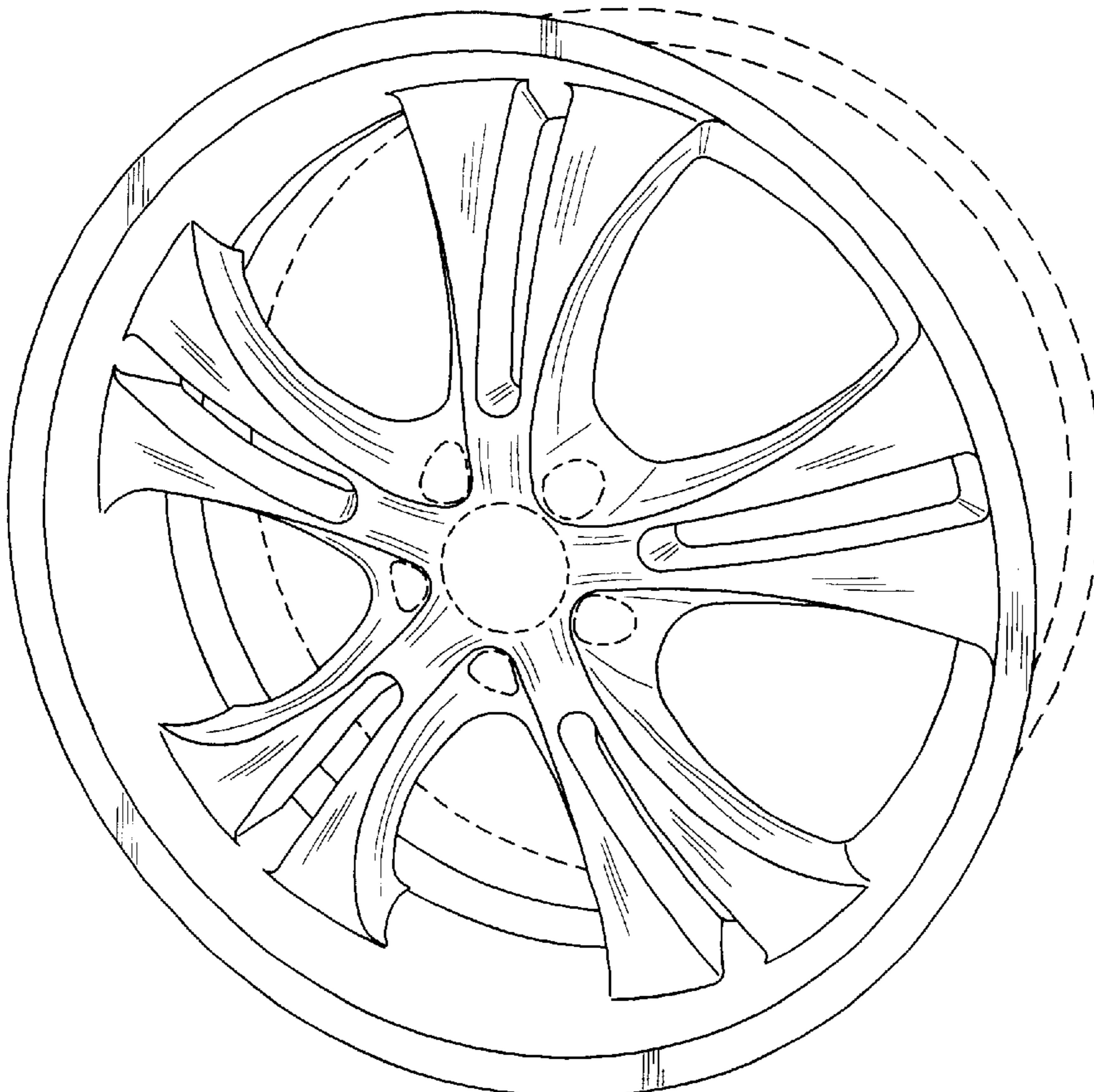
The ornamental design for an automotive wheel, as shown and described.

**DESCRIPTION**

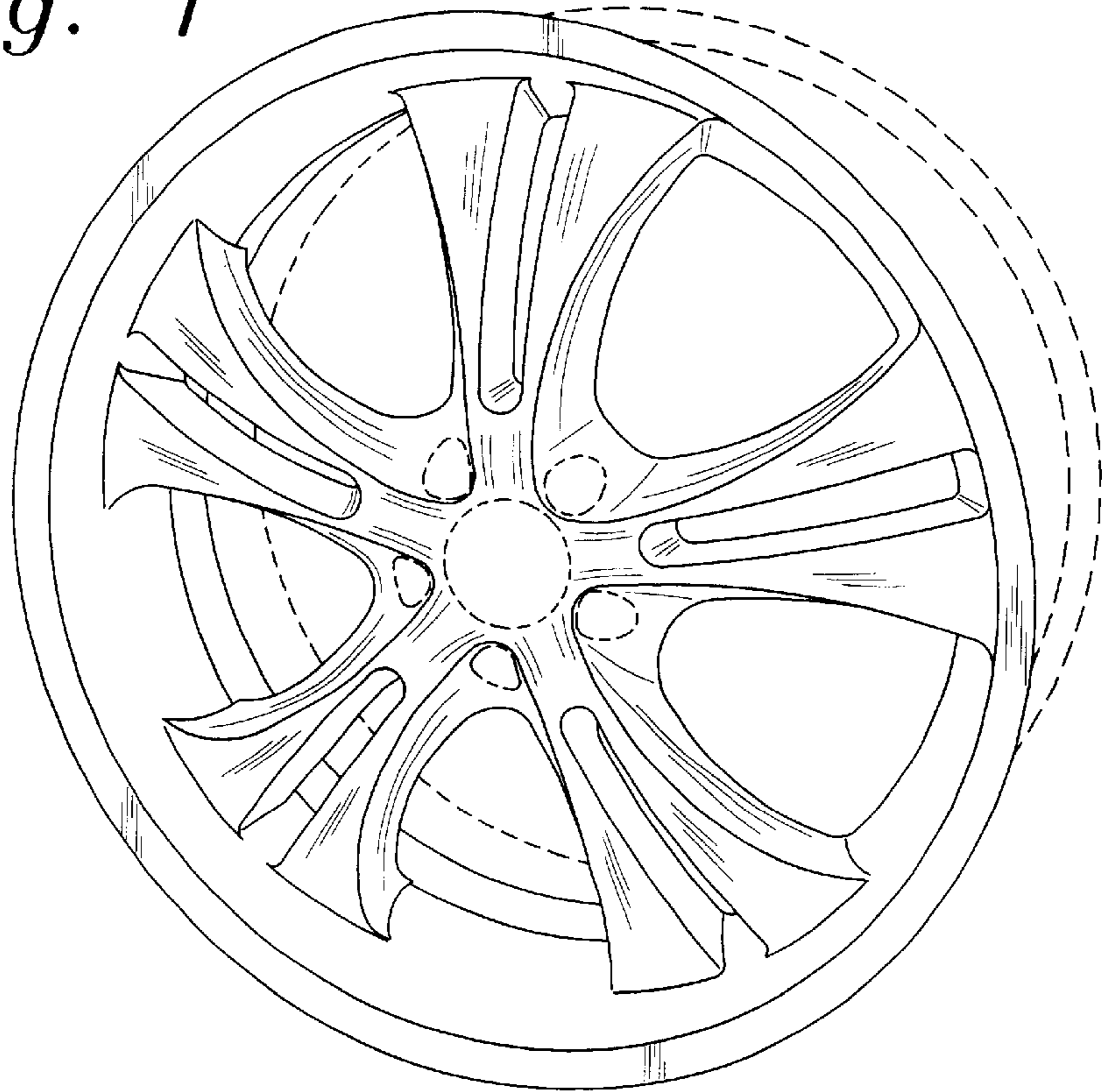
FIG. 1 is a perspective view of an automotive wheel, showing my new design; and, FIG. 2 is a front view thereof.

The broken line showing of environment is for illustrative purposes only and forms no part of the claimed design.

**1 Claim, 1 Drawing Sheet**



*Fig. 1*



*Fig. 2*

