



US00D480342S

(12) **United States Design Patent**
Wang

(10) **Patent No.:** **US D480,342 S**

(45) **Date of Patent:** **** Oct. 7, 2003**

(54) **DISK WHEEL COVER**

(76) Inventor: **Chu-Li Wang**, No. 149, (Room 9,
10/F.) Lin Sen Road, Sec. 1, Tainan
(TW)

(**) Term: **14 Years**

(21) Appl. No.: **29/150,629**

(22) Filed: **Nov. 28, 2001**

(51) **LOC (7) Cl.** **12-16**

(52) **U.S. Cl.** **D12/209**

(58) **Field of Search** D12/204-211;
301/37.101, 64.101, 65

(56) **References Cited**

U.S. PATENT DOCUMENTS

D403,289 S	*	12/1998	Watanabe	D12/209
D407,052 S	*	3/1999	Kelley	D12/209
D407,680 S	*	4/1999	Bhambra	D12/209
D428,844 S	*	8/2000	Wang	D12/209
D431,516 S	*	10/2000	Kaucher	D12/209
D433,374 S	*	11/2000	Wang	D12/209
D442,534 S	*	5/2001	Wang	D12/209

D449,028 S	*	10/2001	Weidhase	D12/209
D452,211 S	*	12/2001	Takechi	D12/209
D452,839 S	*	1/2002	Muth et al.	D12/209
D458,572 S	*	6/2002	Fitzgerald	D12/209
D458,887 S	*	6/2002	Kataoka	D12/209
D467,855 S	*	12/2002	Laengerer	D12/209

* cited by examiner

Primary Examiner—Stacia Cadmus

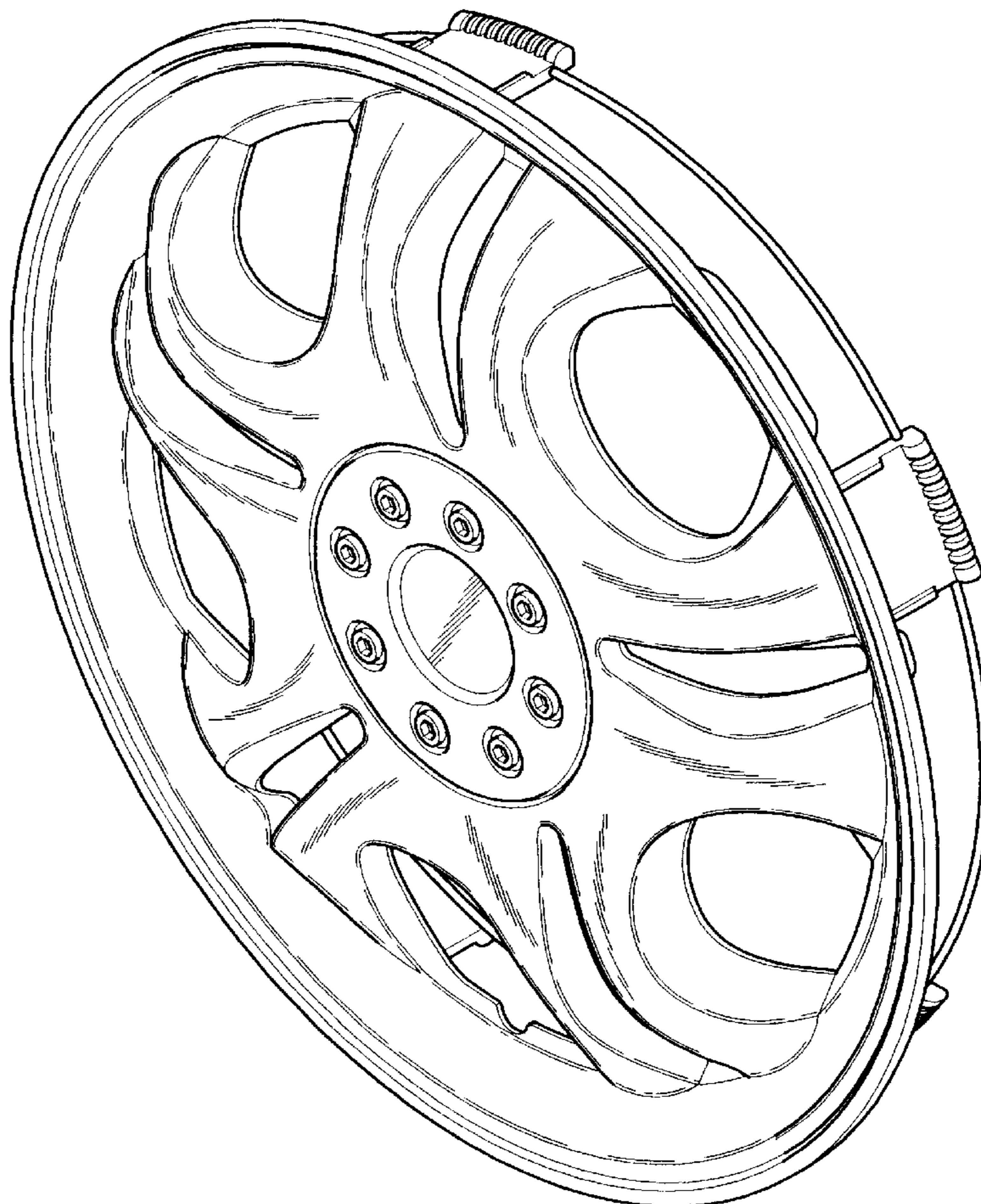
(57) **CLAIM**

The ornamental design for a disk wheel cover, as shown and described.

DESCRIPTION

FIG. 1 is a perspective view of a disk wheel cover showing my new design;
FIG. 2 is a right side elevational view thereof;
FIG. 3 is a top plan view thereof;
FIG. 4 is a front elevational view thereof;
FIG. 5 is a bottom plan view thereof;
FIG. 6 is a left side elevational view thereof; and,
FIG. 7 is a rear elevational view.

1 Claim, 4 Drawing Sheets



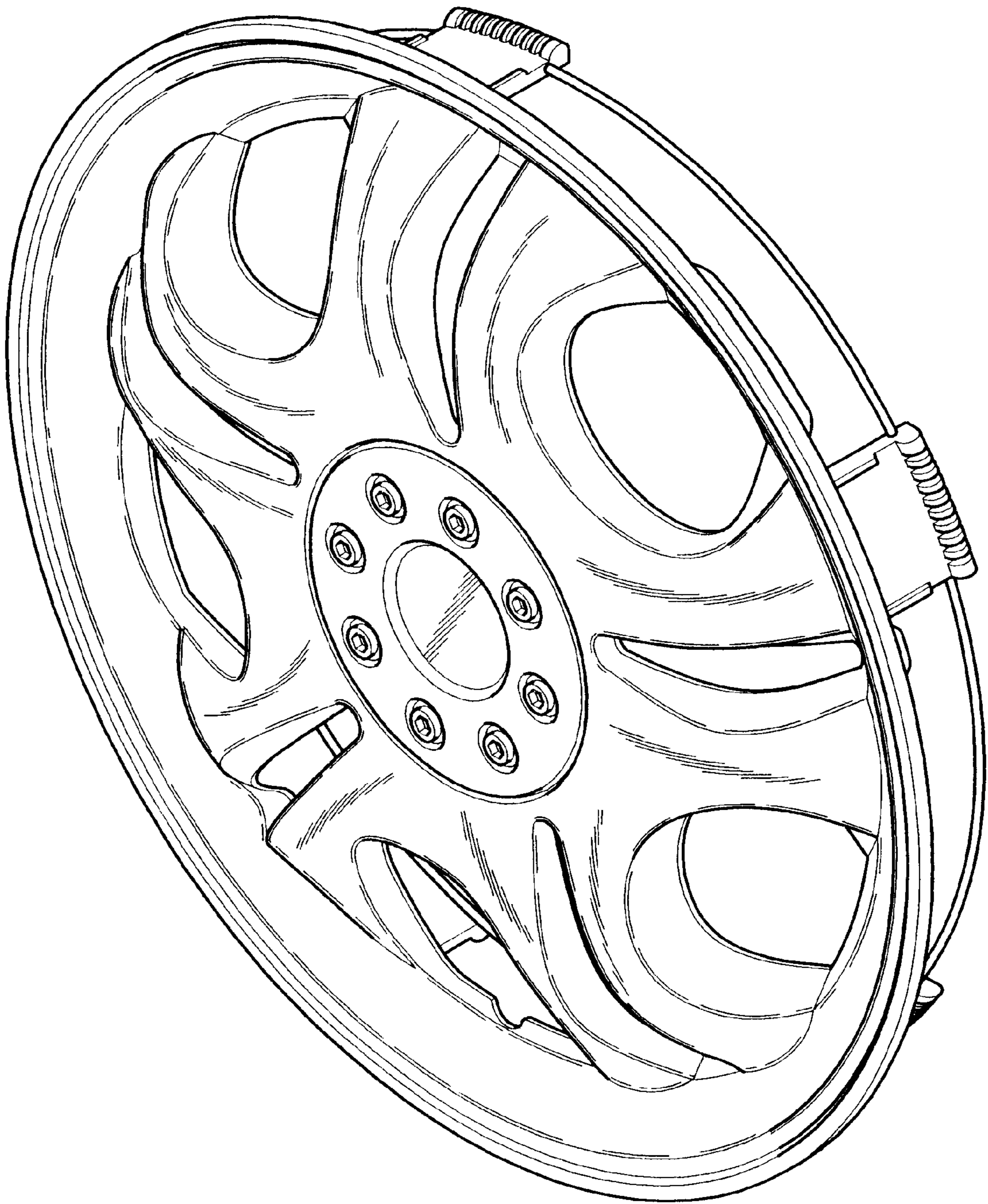


FIG. 1



FIG. 2

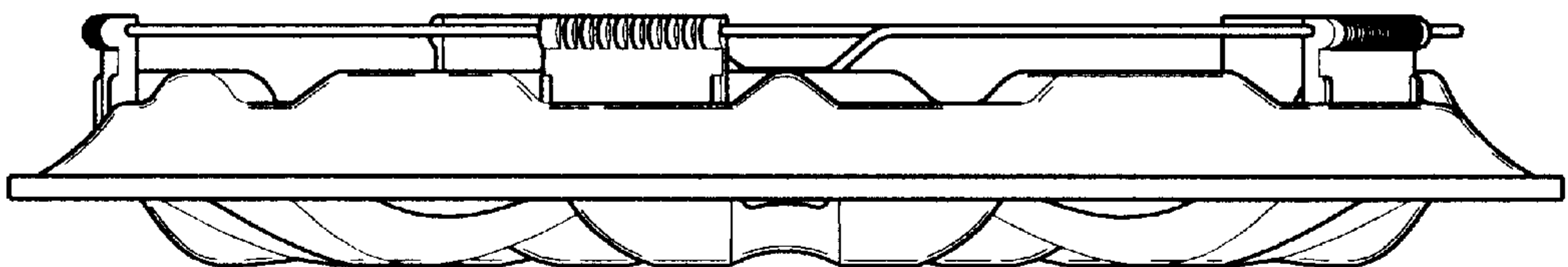


FIG. 3

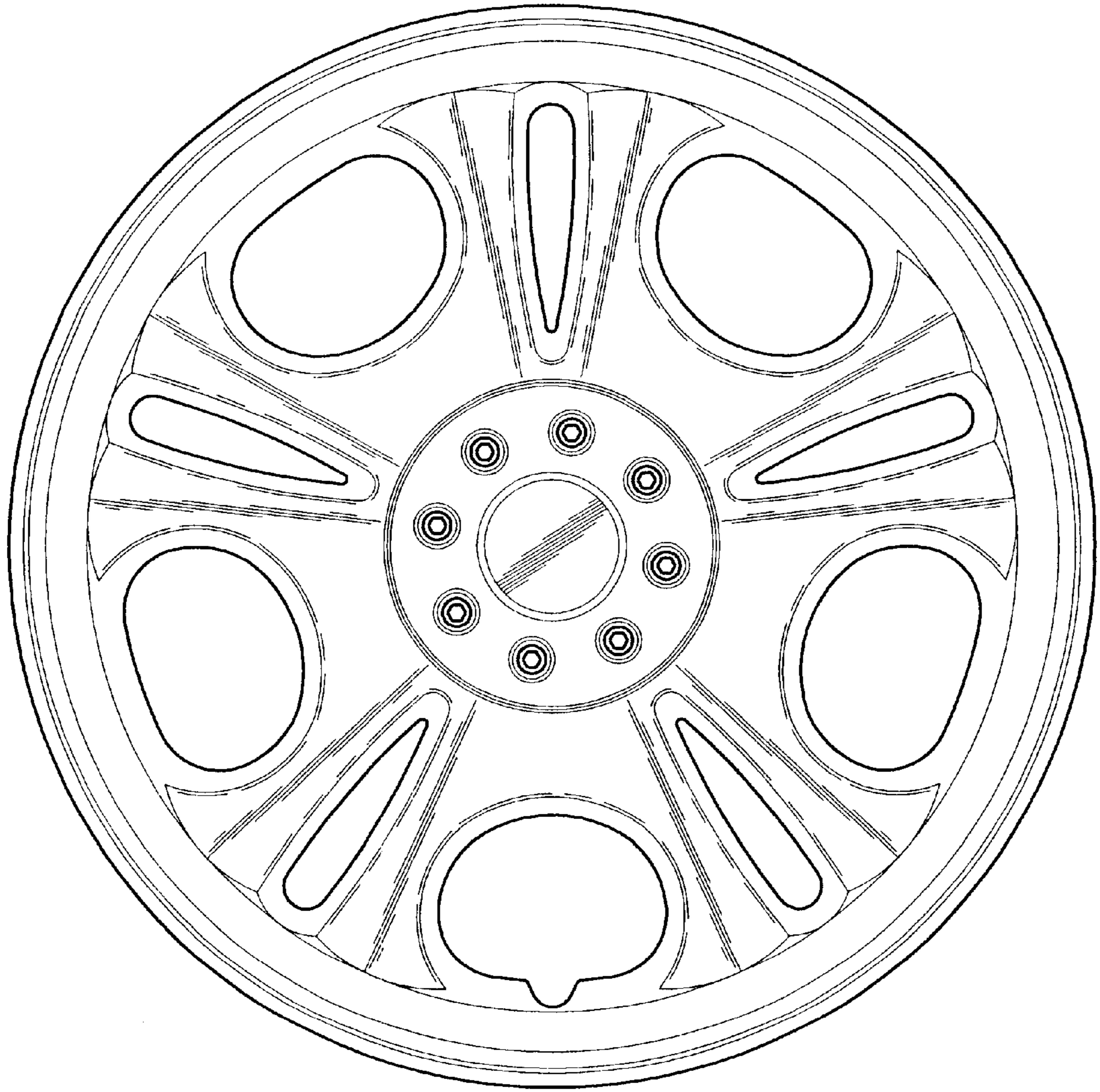


FIG. 4

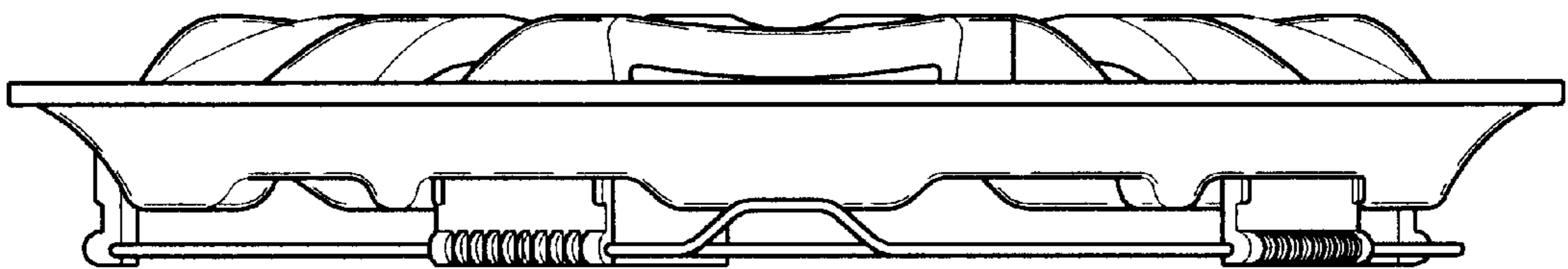


FIG. 5

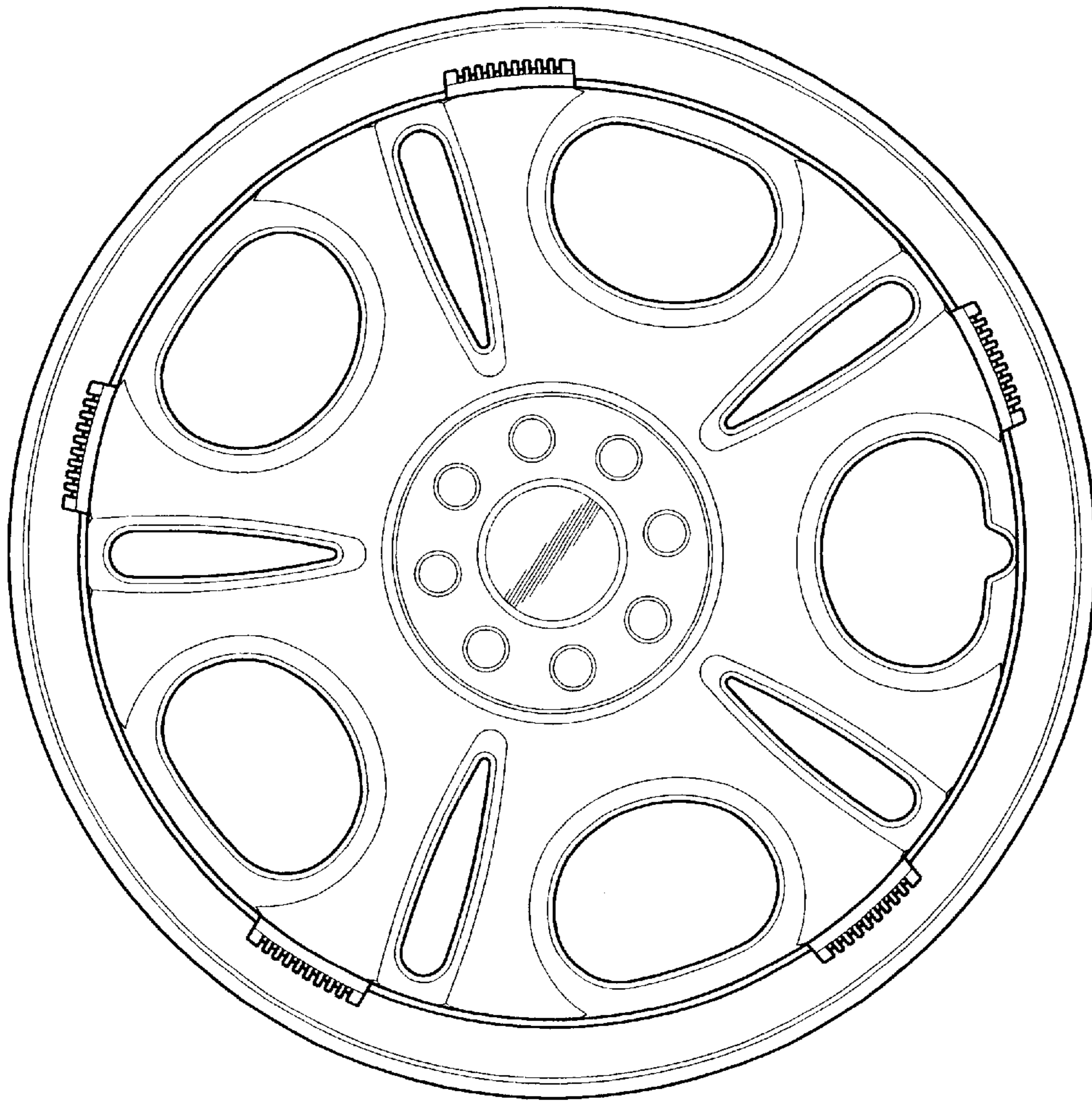


FIG. 7

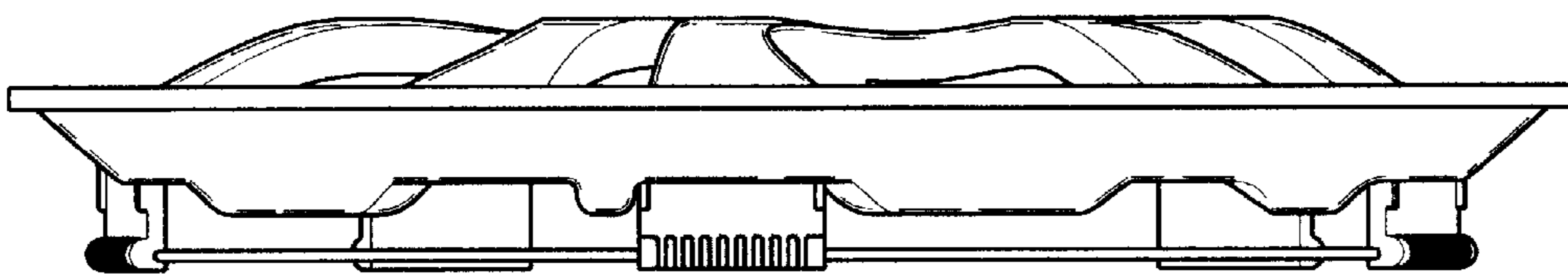


FIG. 6