



US00D480338S

(12) **United States Design Patent**  
**Harwood**

(10) **Patent No.:** **US D480,338 S**

(45) **Date of Patent:** **\*\* Oct. 7, 2003**

(54) **VEHICLE HITCH COVER**

(76) **Inventor:** **Cary J. Harwood**, 2437 Ponce DeLeon Pkwy., Avon Park, FL (US) 33825

(\*\*) **Term:** **14 Years**

(21) **Appl. No.:** **29/167,771**

(22) **Filed:** **Sep. 20, 2002**

(51) **LOC (7) Cl.** ..... **12-16**

(52) **U.S. Cl.** ..... **D12/162**

(58) **Field of Search** ..... D12/162, 400; D26/28, 31, 34, 36; D20/10; 40/575, 591, 200, 209, 211, 204-205, 590; 280/495, 507, 511, 727, 769; 224/524, 522, 527

(56) **References Cited**

**U.S. PATENT DOCUMENTS**

5,603,178	A	*	2/1997	Morrison	.....	40/591
5,979,094	A	*	11/1999	Brafford, Jr.	.....	40/590
D419,505	S	*	1/2000	Deerman	.....	D12/162
D426,798	S	*	6/2000	Peroni	.....	D12/162
6,079,136	A	*	6/2000	Kozlarek	.....	40/591 X
D430,519	S	*	9/2000	Beauvais	.....	D12/162
6,199,892	B1	*	3/2001	Dahl	.....	280/507

D450,638	S	*	11/2001	Calderon	.....	D12/162
D458,195	S	*	6/2002	Beauvais	.....	D12/162
6,412,202	B1	*	7/2002	Oswood	.....	40/591
D464,919	S	*	10/2002	Pichan	.....	D12/162
6,463,686	B1	*	10/2002	Eisenbraun	.....	40/591

\* cited by examiner

*Primary Examiner*—Stacia Cadmus

(74) *Attorney, Agent, or Firm*—Botkin & Hall, LLP

(57) **CLAIM**

The ornamental design for a vehicle hitch cover, as shown and described.

**DESCRIPTION**

FIG. 1 is a front perspective view of the vehicle hitch cover showing my new design;

FIG. 2 is front view thereof;

FIG. 3 is a right side elevational view thereof;

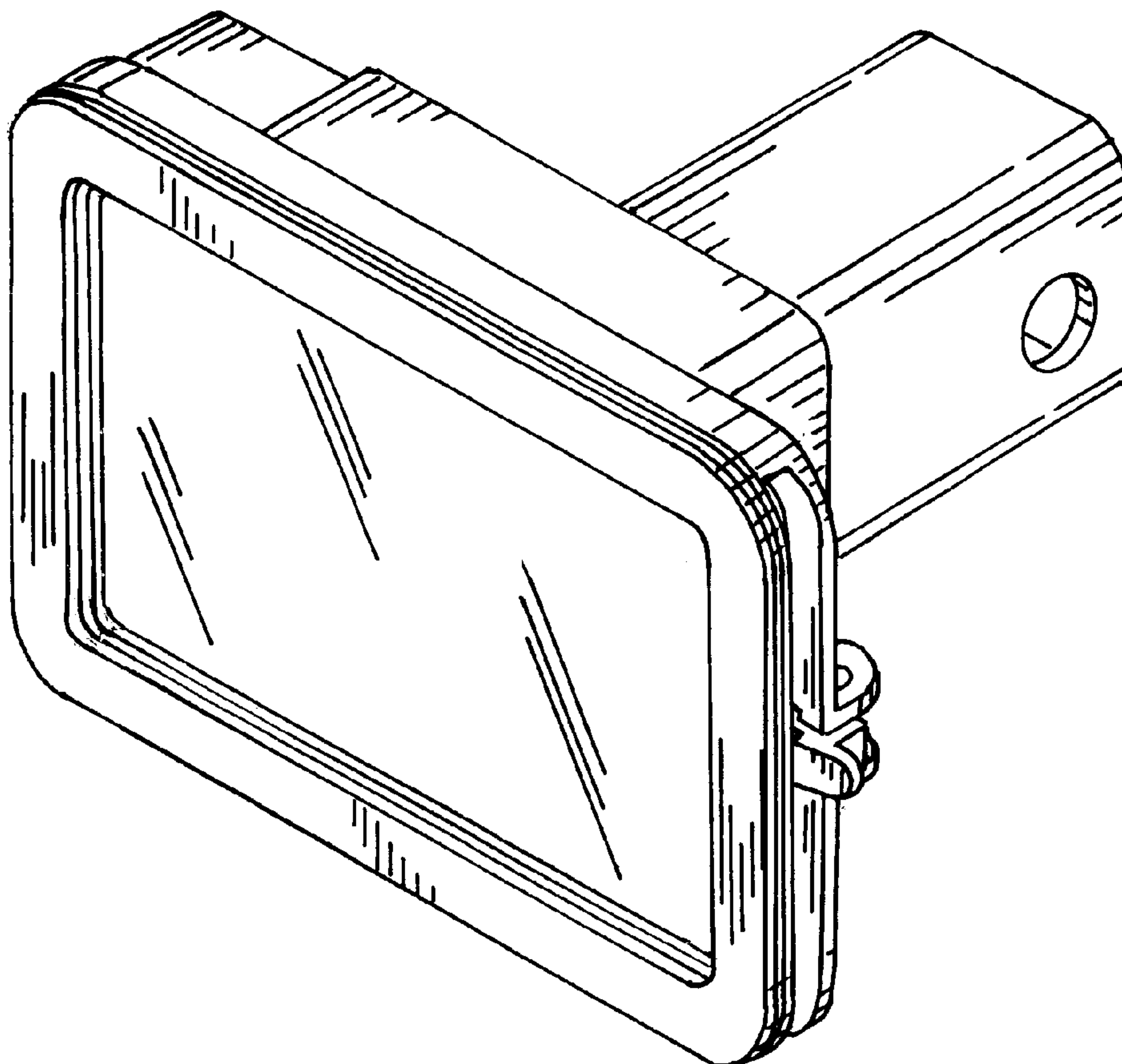
FIG. 4 is a left side elevational view thereof;

FIG. 5 is a top plan view thereof; and,

FIG. 6 is a bottom plan view thereof.

The rear of my design does not contain any ornamental features beyond those visible from the views included herein.

**1 Claim, 6 Drawing Sheets**



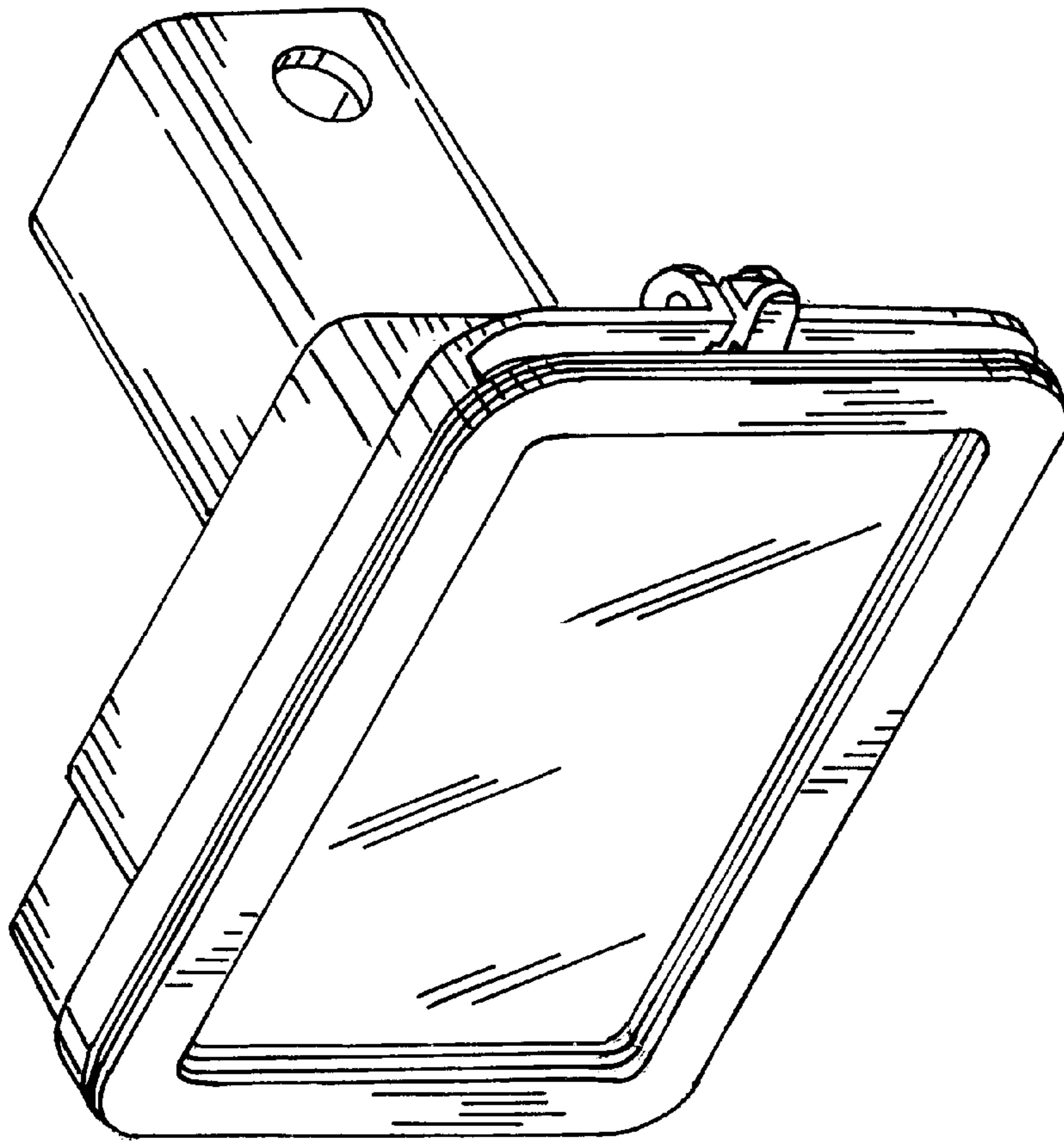


FIG. 1

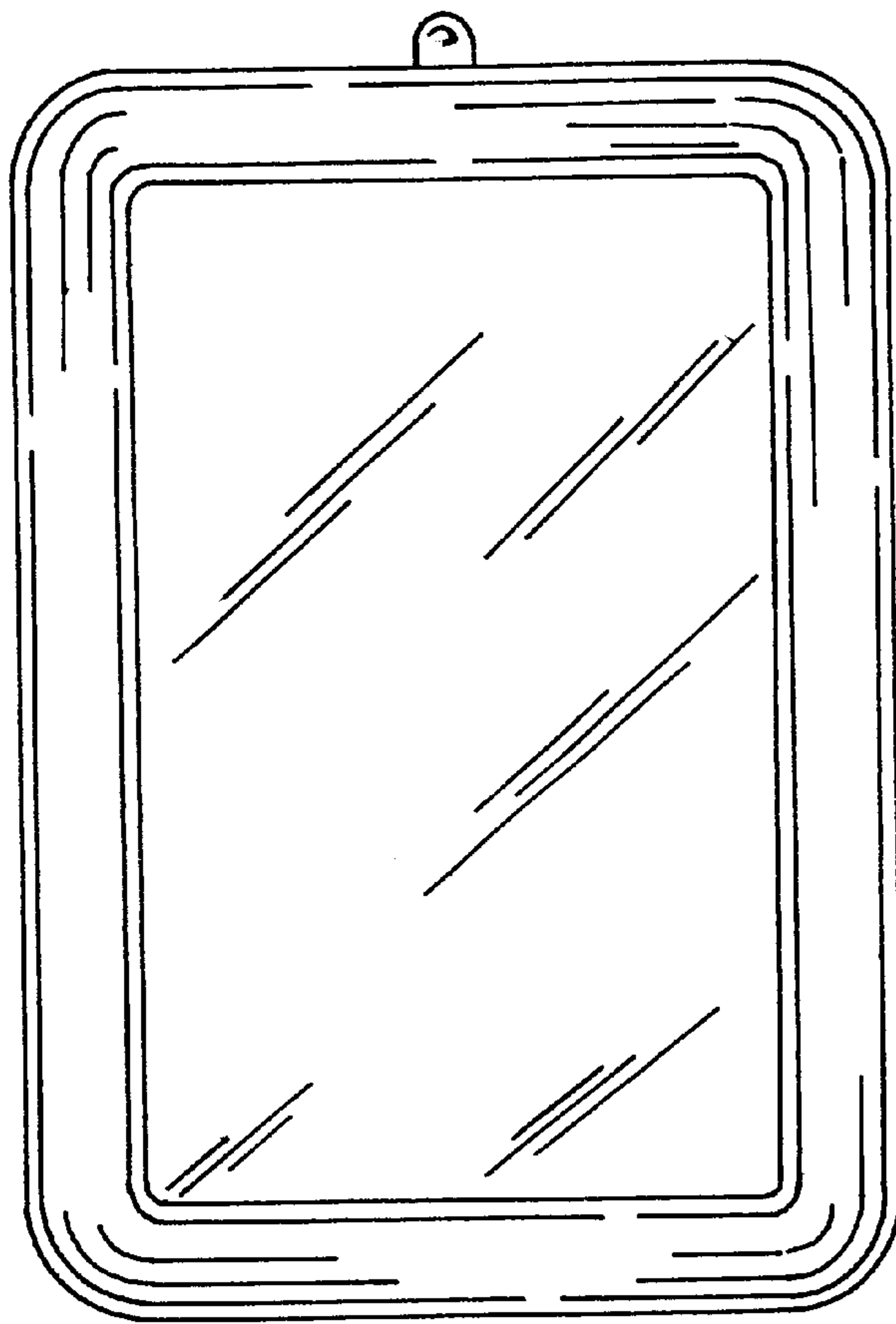


FIG. 2

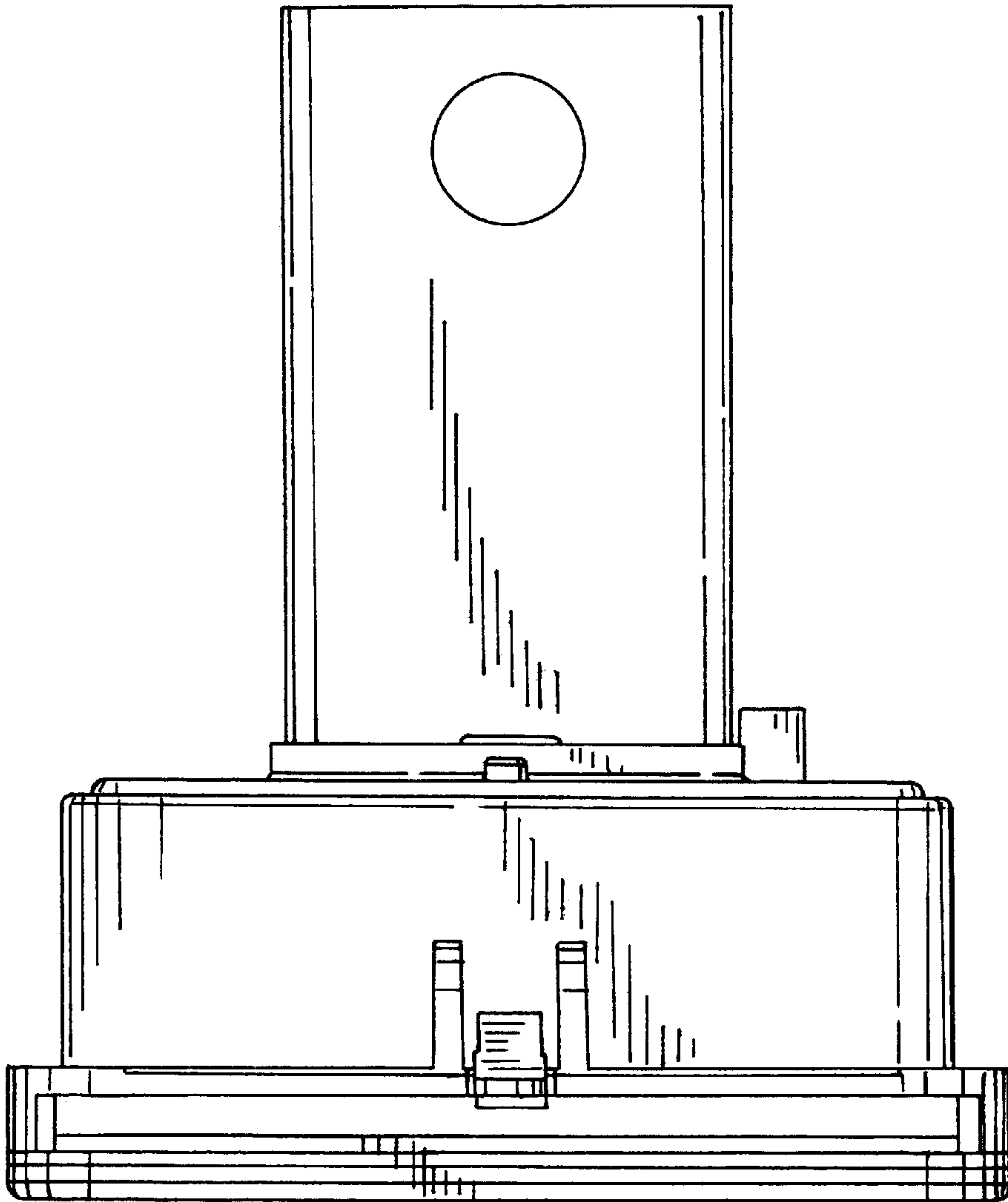


FIG. 3

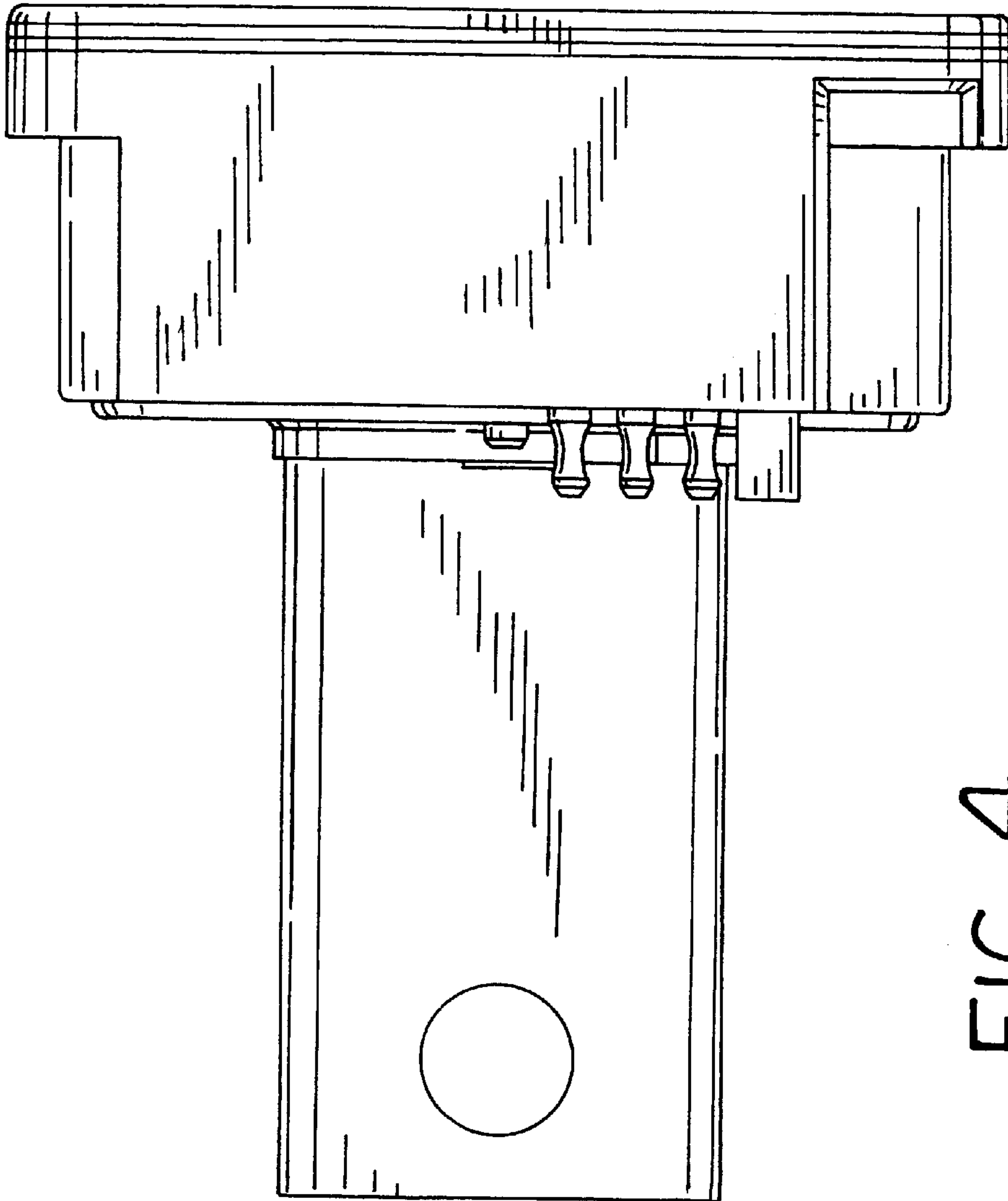


FIG. 4

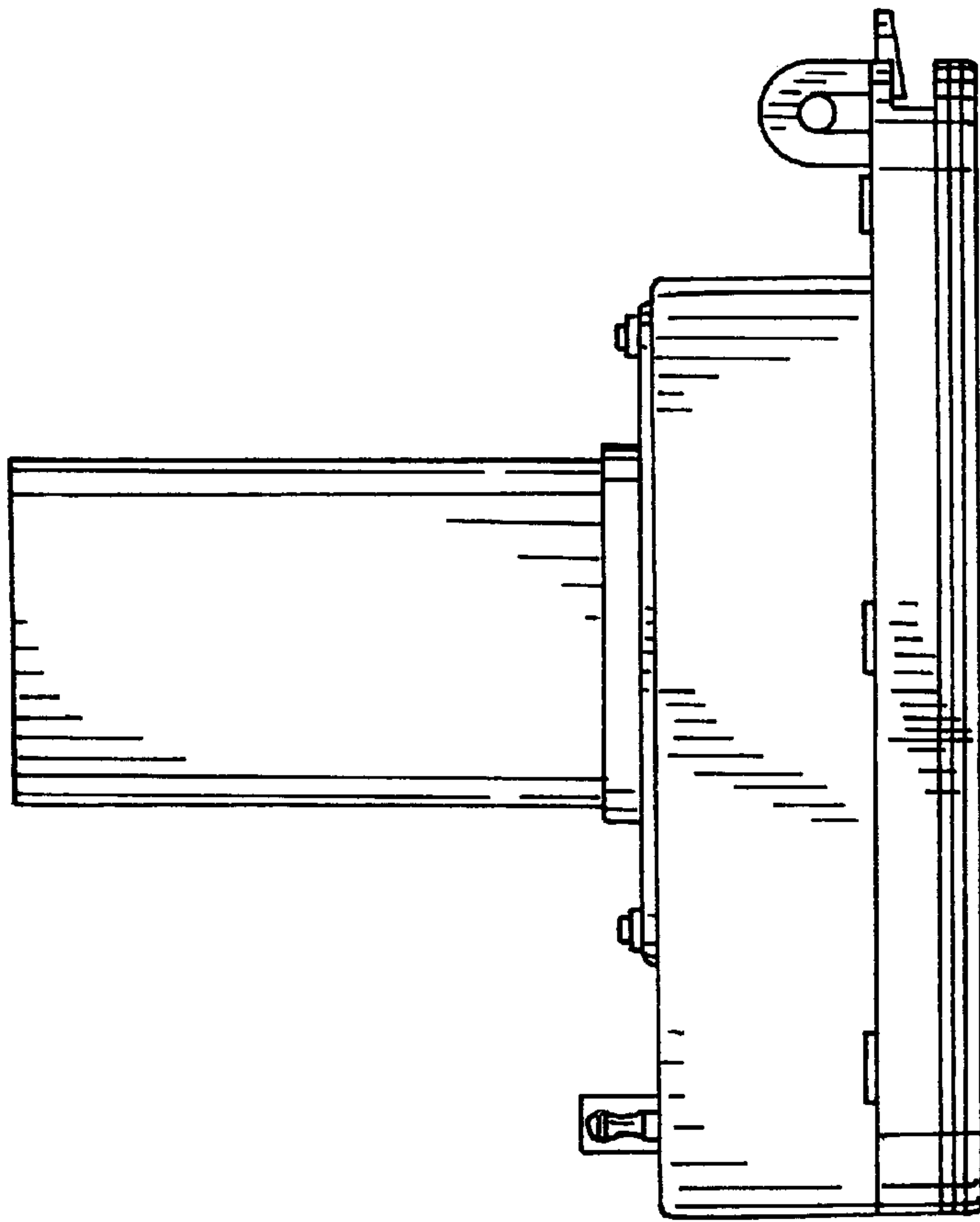


FIG. 5

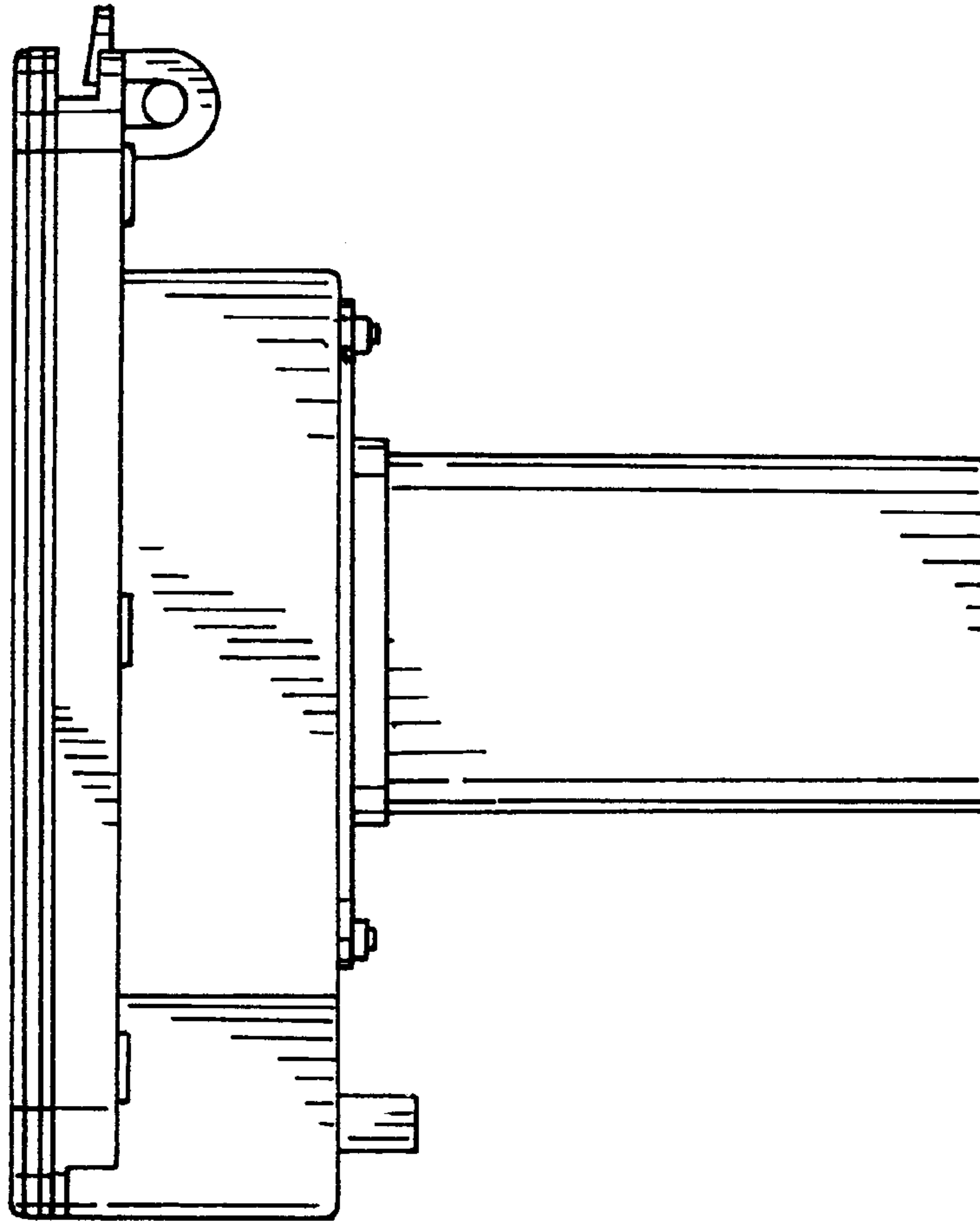


FIG. 6