



US00D480337S

(12) **United States Design Patent**
Wanser et al.

(10) **Patent No.:** **US D480,337 S**

(45) **Date of Patent:** **** Oct. 7, 2003**

(54) **BICYCLE ACCESSORY**

(75) Inventors: **Russ L. Wanser**, Jupiter, FL (US);
Gary A. Prommel, Jupiter, FL (US)

(73) Assignee: **Dura-Weld, Inc.**, Jupiter, FL (US)

(**) Term: **14 Years**

(21) Appl. No.: **29/156,802**

(22) Filed: **Mar. 7, 2002**

(51) **LOC (7) Cl.** **12-11**

(52) **U.S. Cl.** **D12/114**

(58) **Field of Search** D12/111, 114,
D12/407, 178, 223; 280/7.12, 7.15, 281.1,
288.4, 304.5; 224/420, 441-443, 450, 458,
482; D8/367, 371, 373; 248/215, 301, 304,
305, 339, 340

(56) **References Cited**

U.S. PATENT DOCUMENTS

D239,011 S * 3/1976 Hamasaka D12/178
5,487,497 A * 1/1996 Kwiatkowski 224/420
6,029,874 A * 2/2000 Meggitt 224/412

* cited by examiner

Primary Examiner—Alan P. Douglas

Assistant Examiner—Linda Brooks

(74) *Attorney, Agent, or Firm*—McHale & Slavin, P.A.

(57) **CLAIM**

The ornamental design for a bicycle accessory, as shown and described.

DESCRIPTION

FIG. 1 is a left side elevational view of the bicycle accessory of the invention, the opposite side being a mirror image thereof;

FIG. 2 is a front view of the bicycle accessory of FIG. 1;

FIG. 3 is a rear view of the bicycle accessory of FIG. 1;

FIG. 4 is a top end view of the bicycle accessory of FIG. 1;

FIG. 5 is a bottom end view of the bicycle accessory of FIG. 1; and,

FIG. 6 is a front perspective view of the bicycle accessory on a reduced scale, shown in position of use on a bicycle handlebar and with a second bicycle accessory, which are shown in broken lines for illustrative purposes only and form no part of the claimed design.

1 Claim, 3 Drawing Sheets

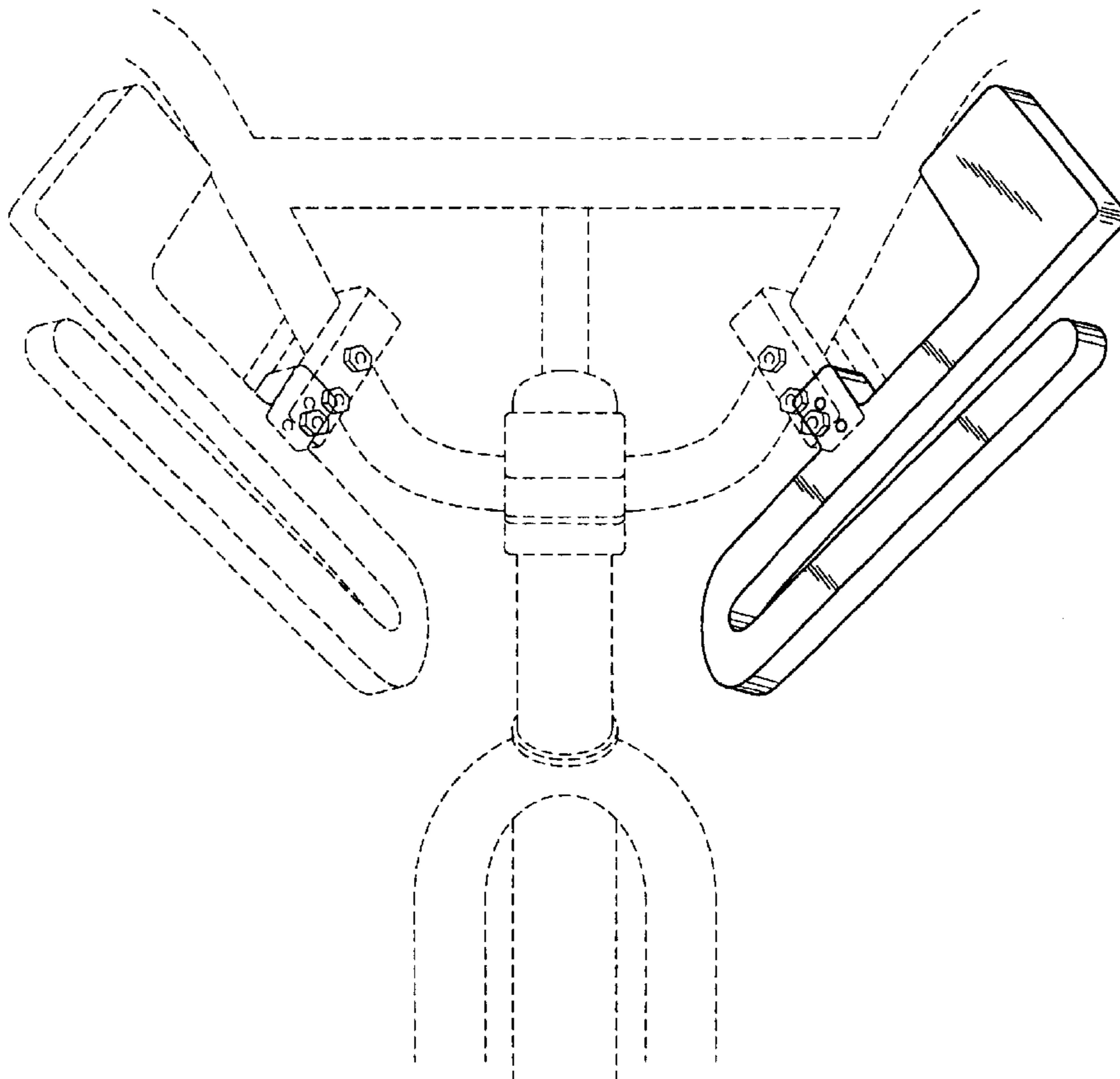


FIG. 1

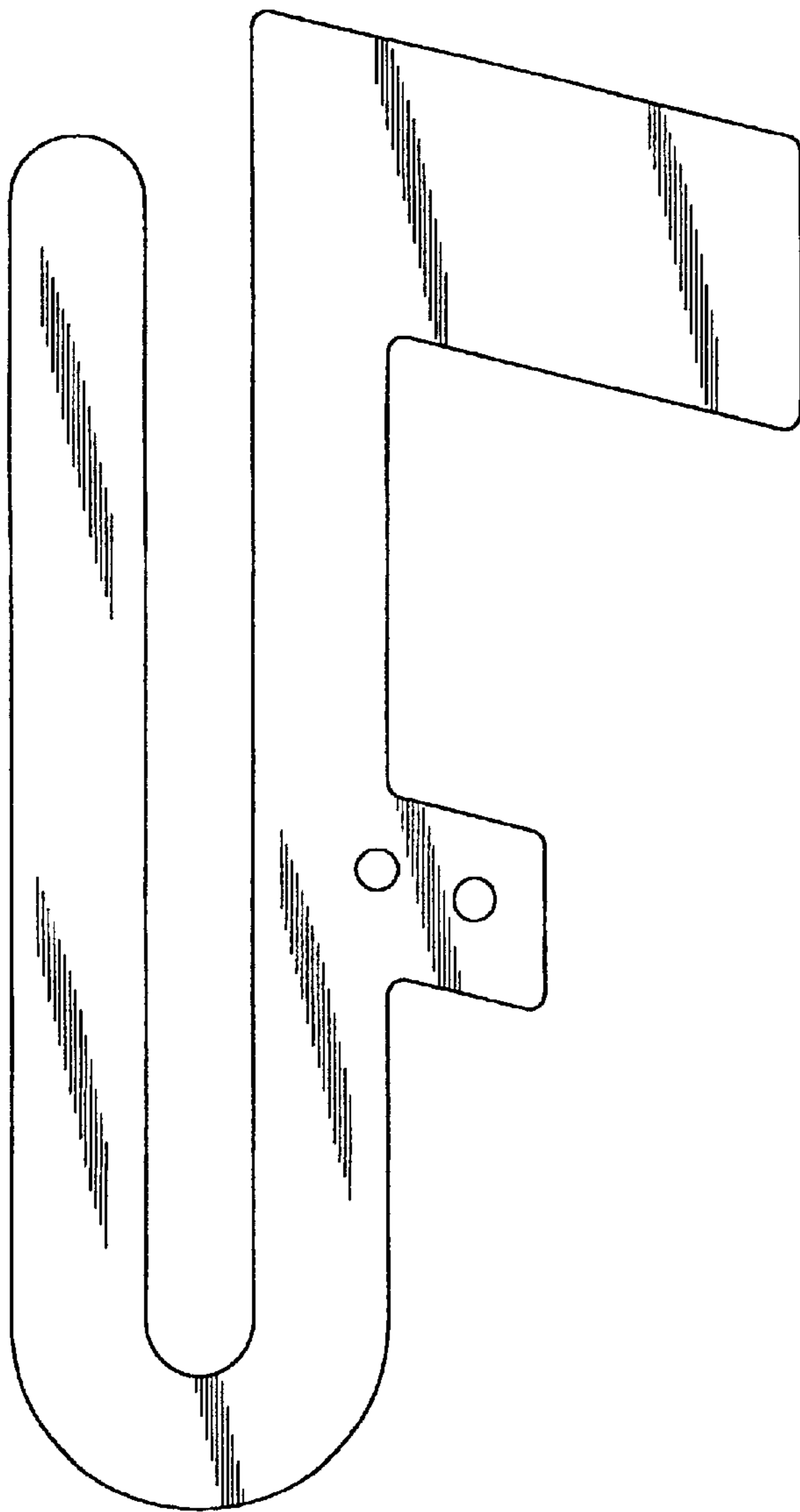


FIG. 2

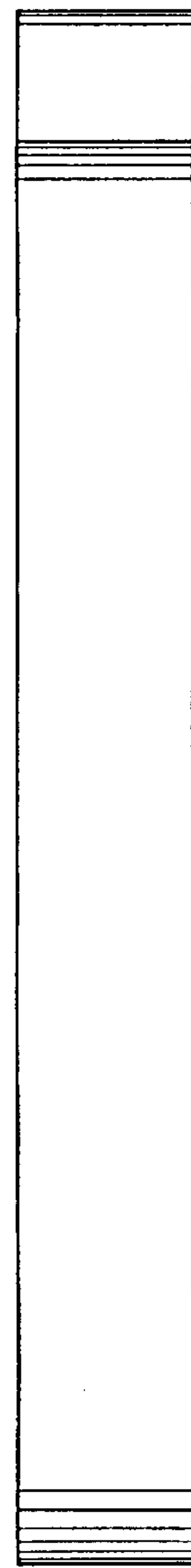


FIG. 3

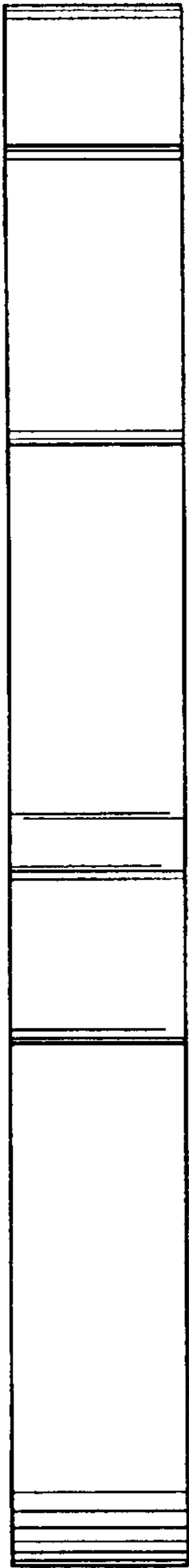


FIG. 4



FIG. 5

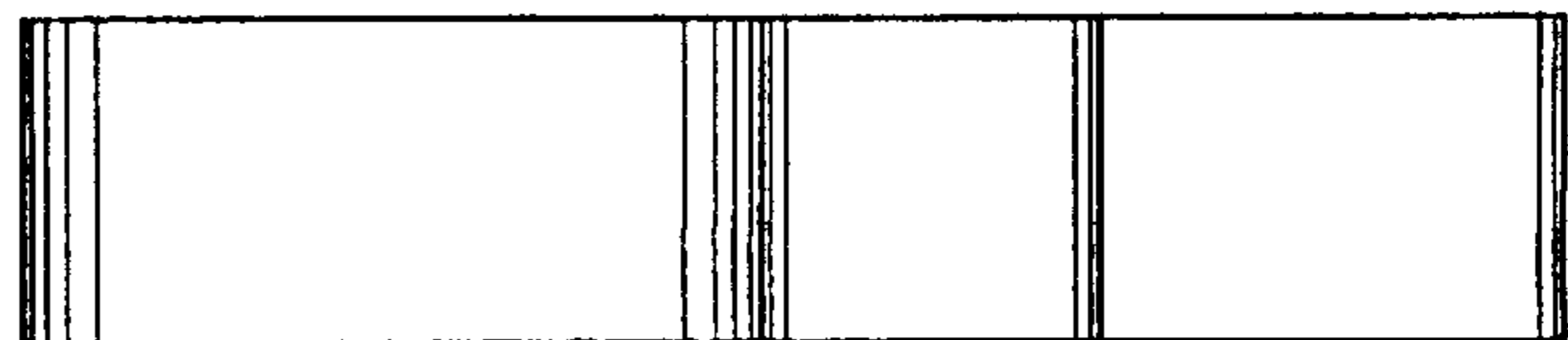


FIG. 6

