



US00D480336S

(12) **United States Design Patent**
Yang

(10) **Patent No.:** **US D480,336 S**

(45) **Date of Patent:** **** Oct. 7, 2003**

(54) **FRAME OF A TRICYCLE FOR CHILDREN**

Primary Examiner—Pamela Burgess
Assistant Examiner—Linda Brooks

(76) **Inventor:** **Po-Chieh Yang**, No. 149, (Room 9,
10/F.) Lin Sen Road, Sec. 1, Tainan
(TW)

(57) **CLAIM**

(**) **Term:** **14 Years**

The ornamental design for a frame of a tricycle for children,
as shown and described.

(21) **Appl. No.:** **29/166,385**

DESCRIPTION

(22) **Filed:** **Aug. 27, 2002**

FIG. 1 is a perspective view of a frame of a tricycle for
children showing my new design;

(51) **LOC (7) Cl.** **12-11**

FIG. 2 is a right side elevational view thereof;

(52) **U.S. Cl.** **D12/112**

FIG. 3 is a top plan view thereof;

(58) **Field of Search** D12/110-113,
D12/117-119; 280/274-278, 281.1, 282-288,
288.1-288.3; D21/423, 432, 435

FIG. 4 is a front elevational view thereof;

FIG. 5 is a bottom plan view thereof;

FIG. 6 is a left side elevational view thereof;

FIG. 7 is rear elevational view;

(56) **References Cited**

FIG. 8 is a perspective view of the claimed design on a
reduced scale in position of use; and,

U.S. PATENT DOCUMENTS

FIG. 9 is another right side elevational view of the claimed
design in position of use.

5,335,929 A * 8/1994 Takagaki et al. 280/283

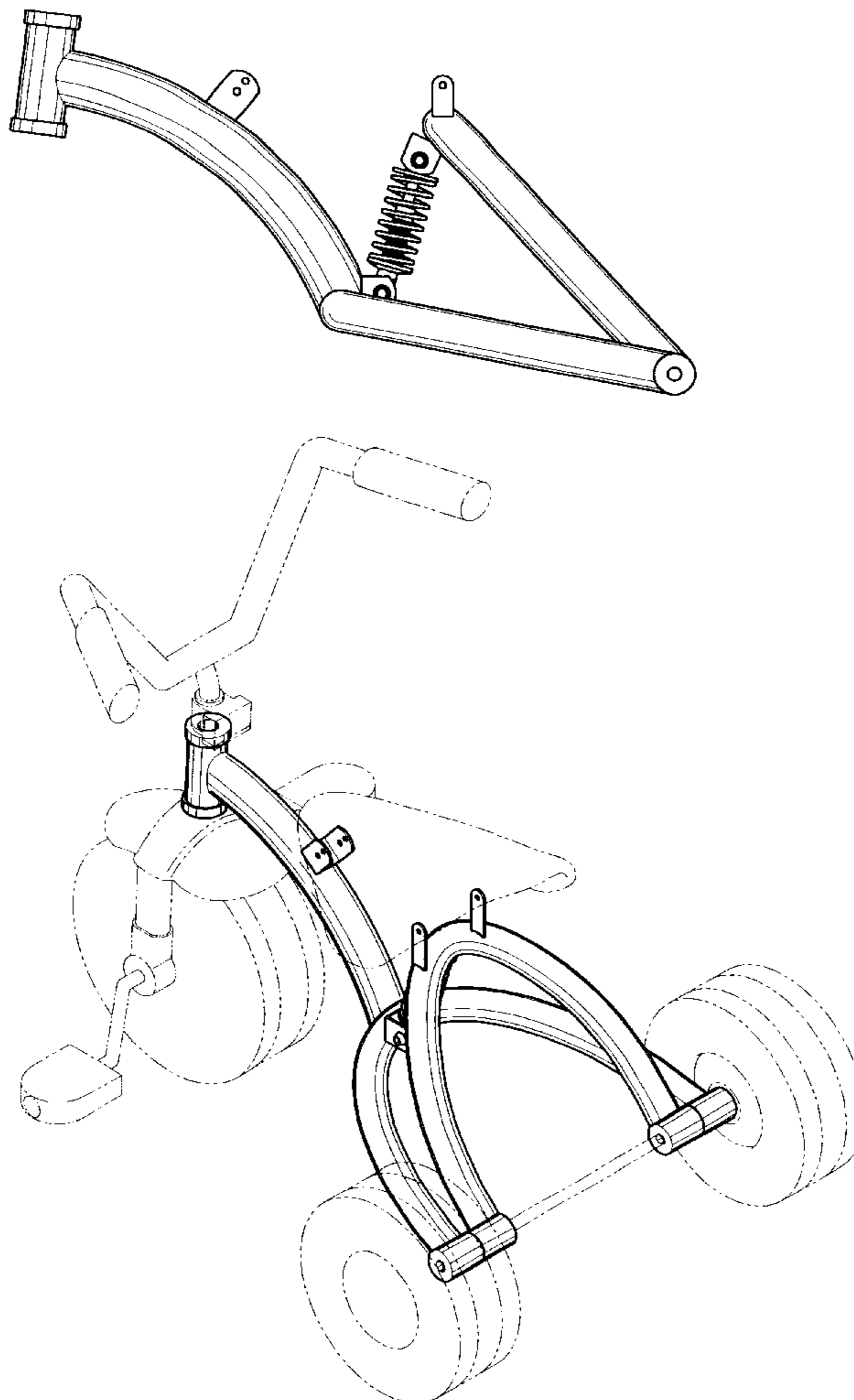
5,810,383 A * 9/1998 Anderson 280/275 X

5,924,713 A * 7/1999 Li 280/282 X

The broken lines shown form no part of the claimed design.

* cited by examiner

1 Claim, 6 Drawing Sheets



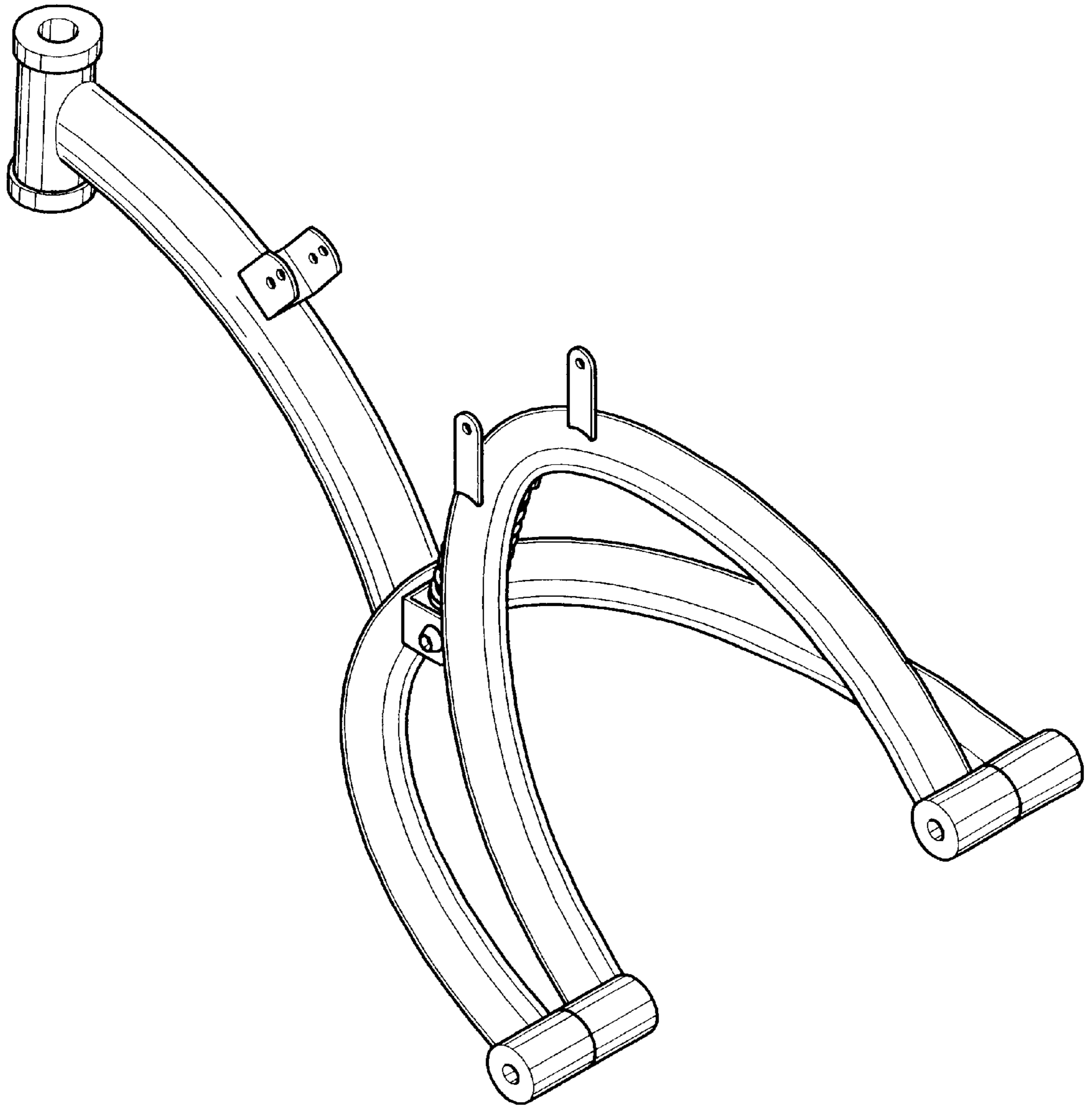


FIG. 1

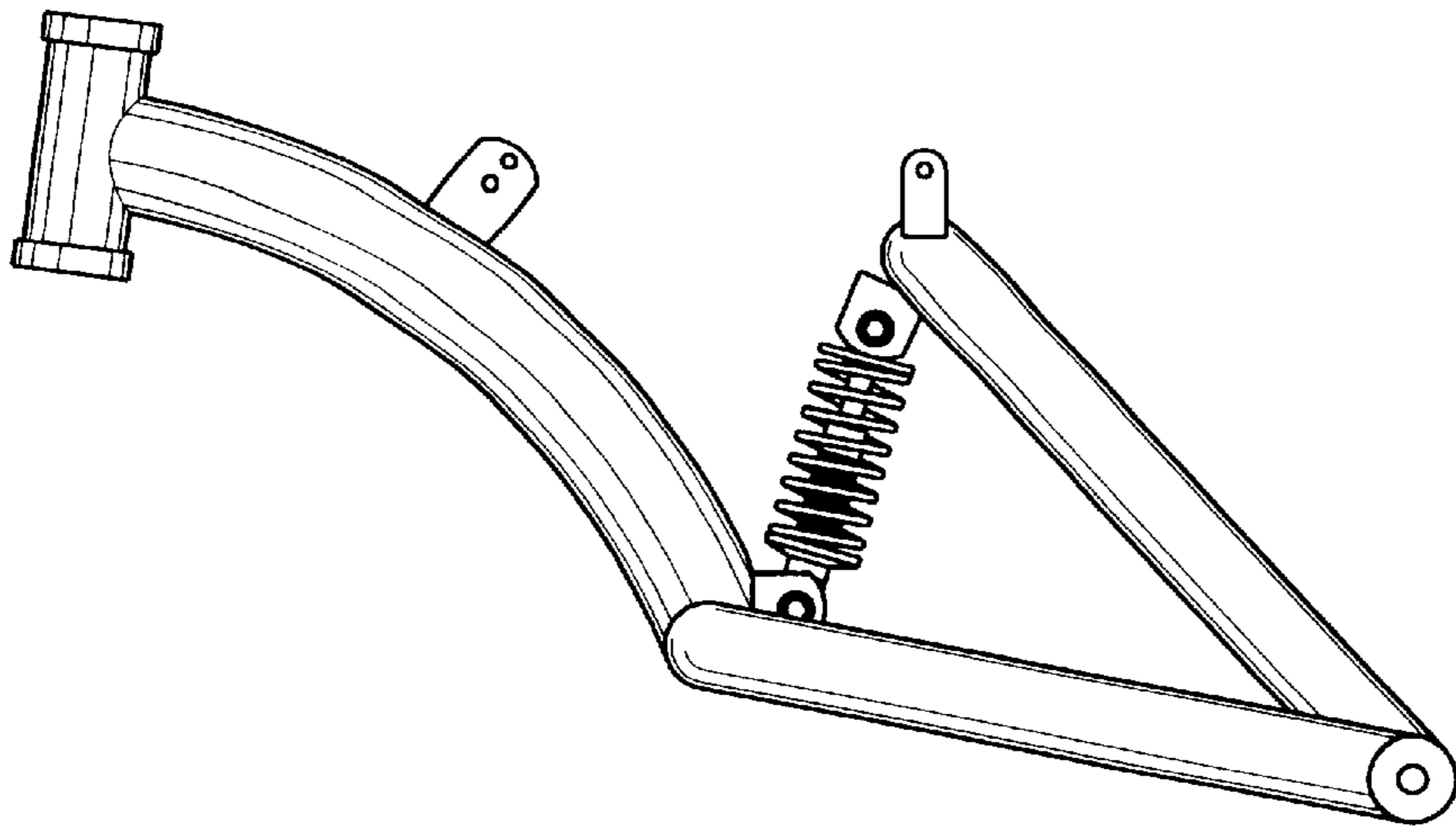


FIG. 2

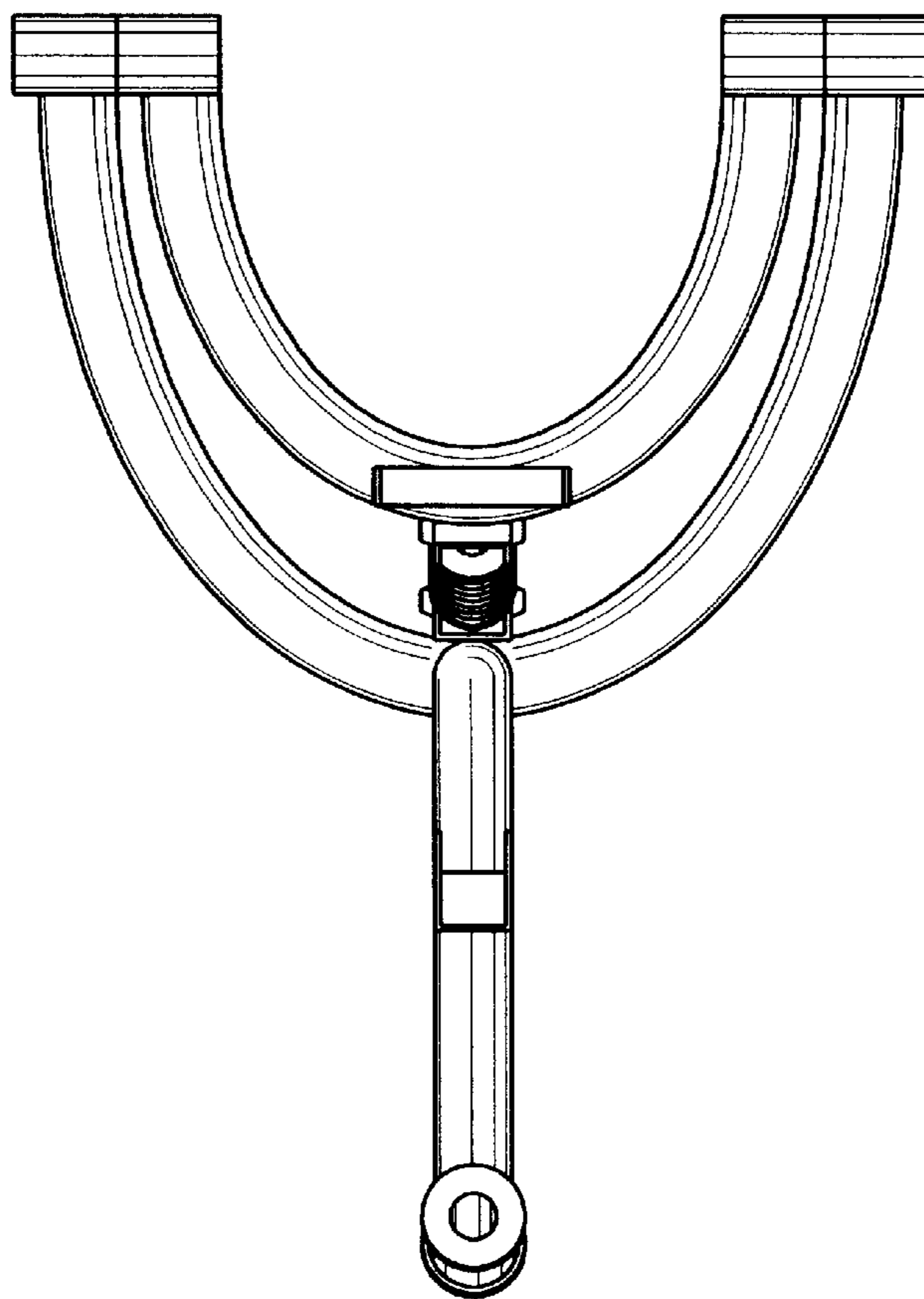


FIG. 3

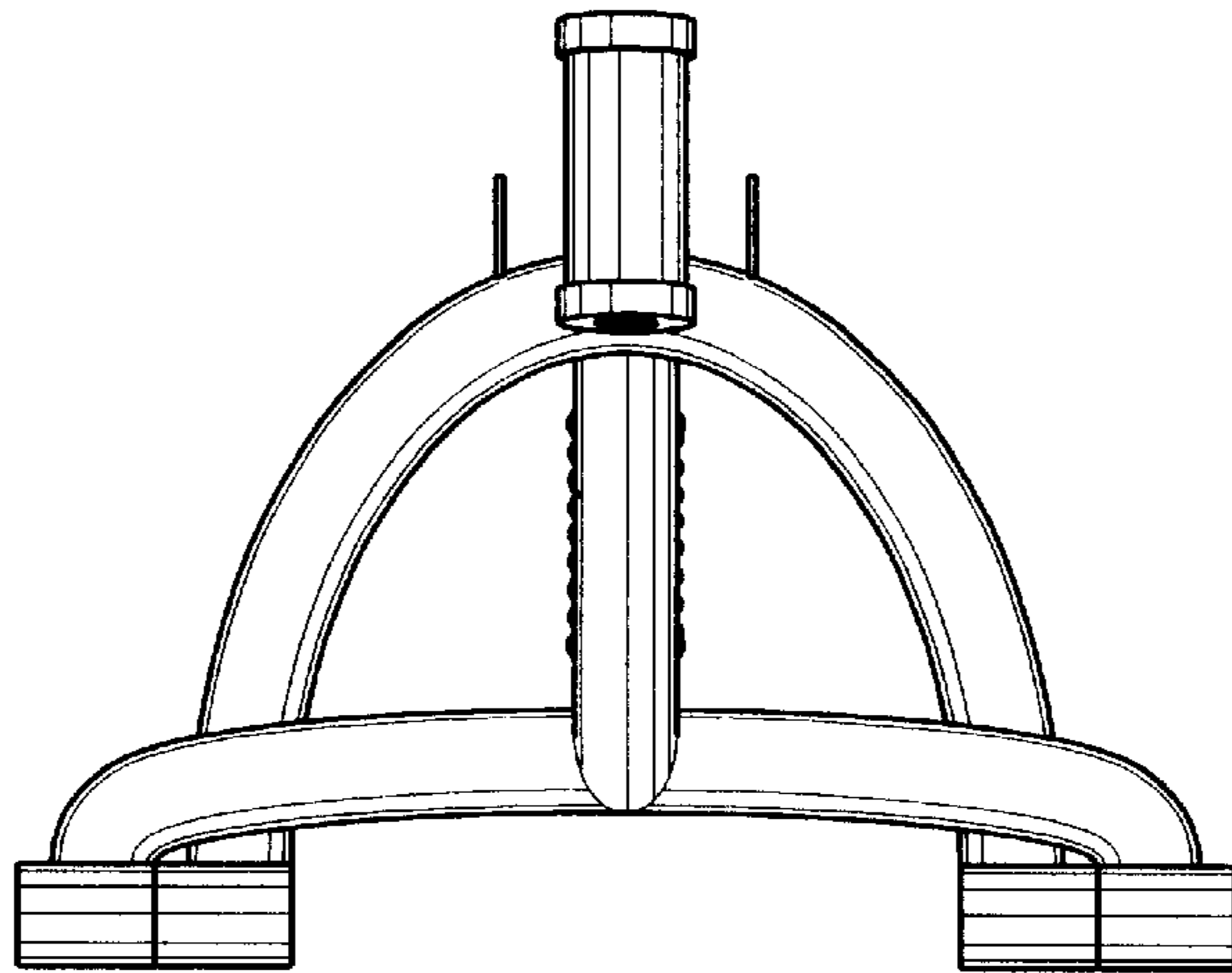


FIG. 4

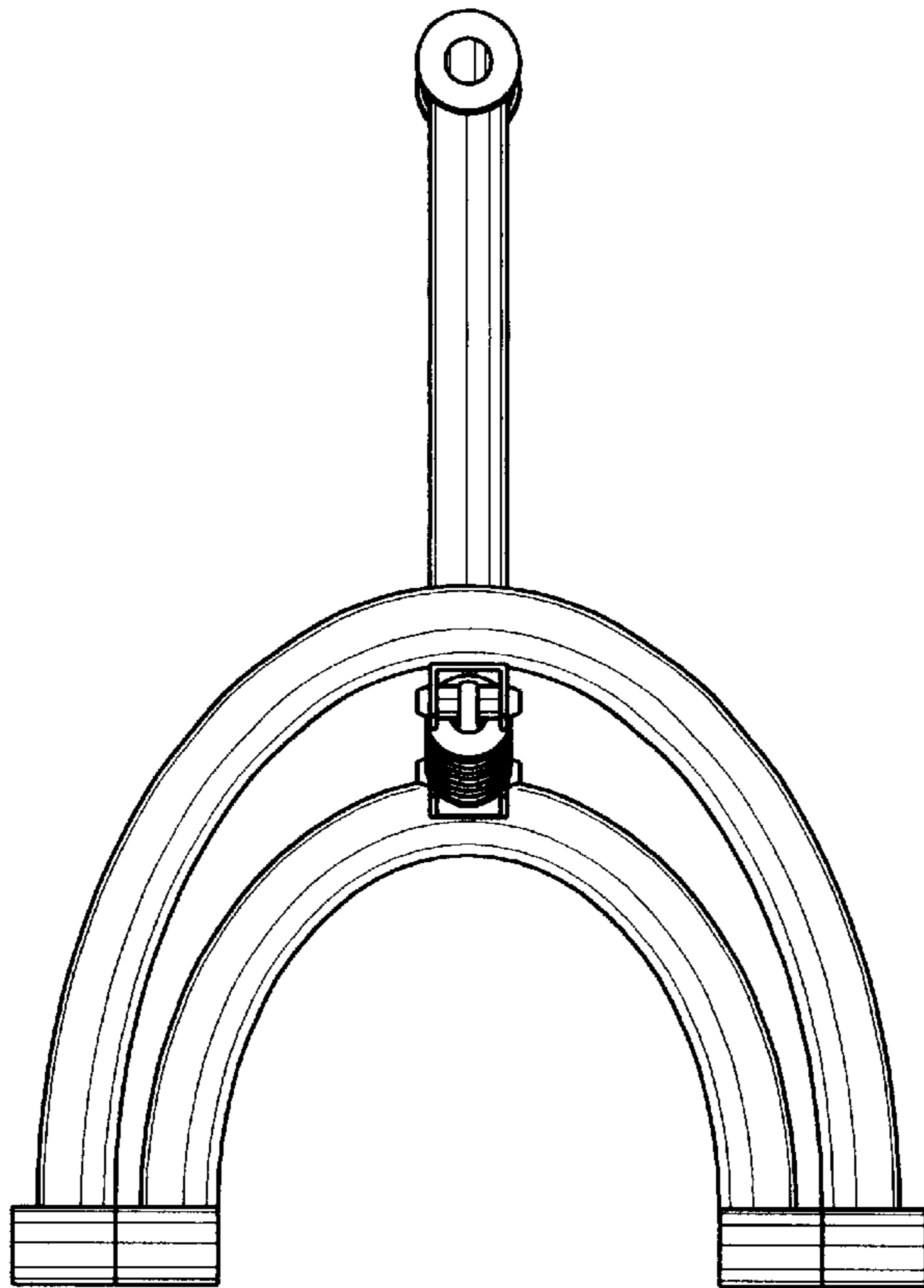


FIG. 5

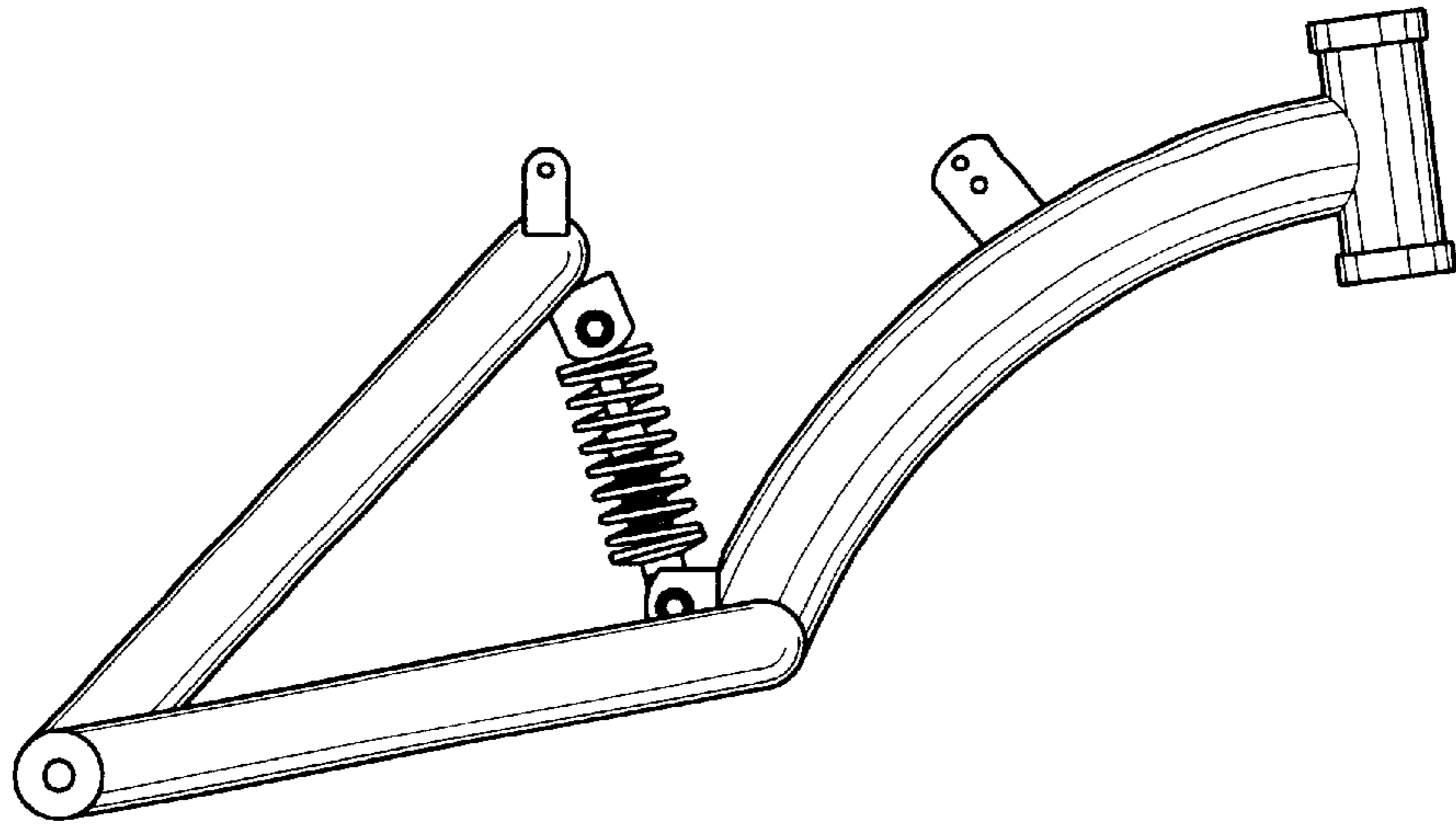


FIG. 6

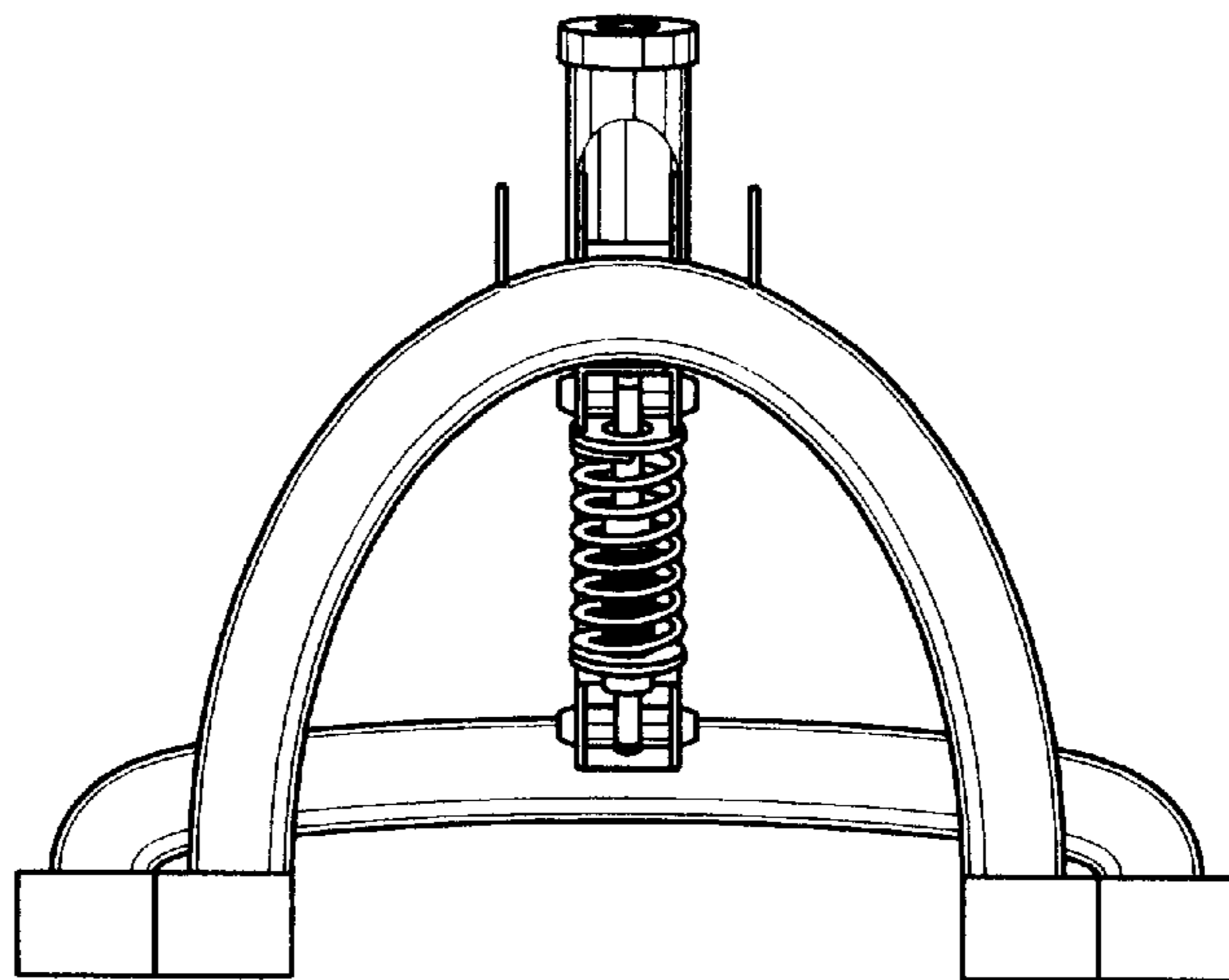


FIG. 7

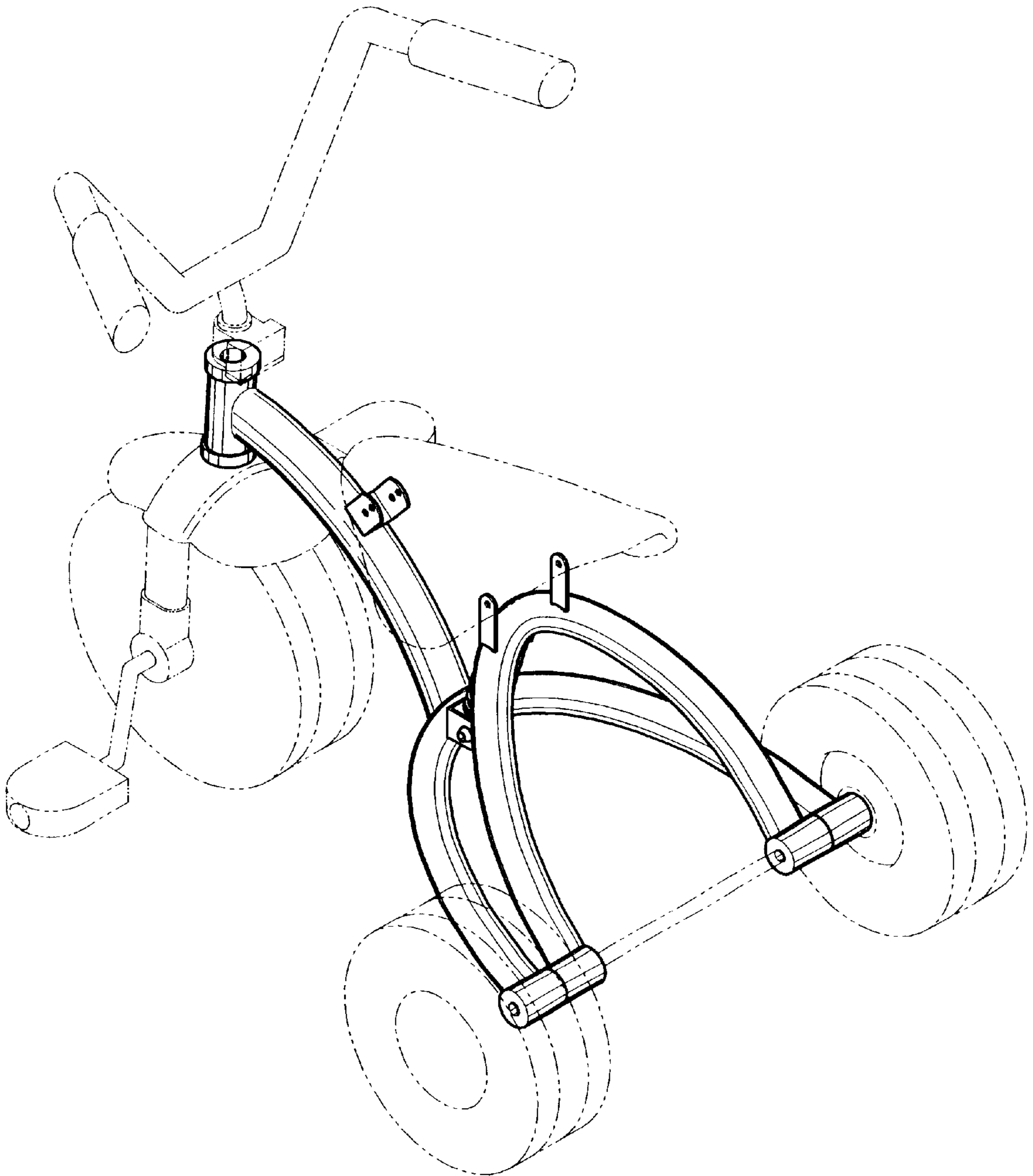


FIG. 8

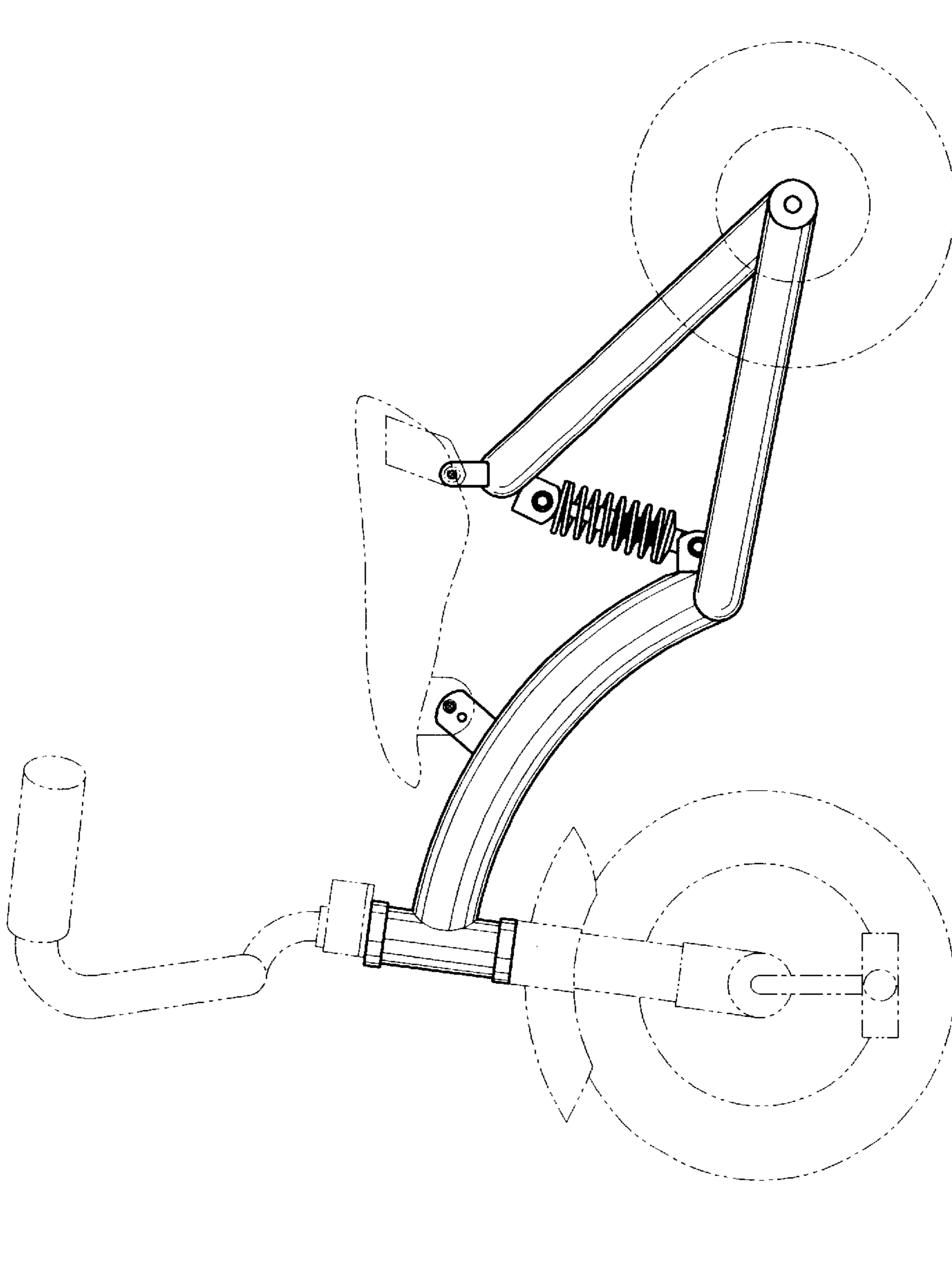


FIG. 9