



US00D480333S

(12) **United States Design Patent**
Allison

(10) **Patent No.:** **US D480,333 S**

(45) **Date of Patent:** **** Oct. 7, 2003**

(54) **LEAKAGE CONTAINMENT APPARATUS FOR HAULING VEHICLES**

(75) Inventor: **Kenneth J. Allison**, Newport Beach, CA (US)

(73) Assignee: **Vector International Equipment, Inc.**, Ontario, CA (US)

(**) Term: **14 Years**

(21) Appl. No.: **29/140,706**

(22) Filed: **Apr. 23, 2001**

(51) **LOC (7) Cl.** **12-08**

(52) **U.S. Cl.** **D12/15**

(58) **Field of Search** D12/15, 400; 222/185.1, 222/108; 141/86, 88; 296/38

(56) **References Cited**

U.S. PATENT DOCUMENTS

2,440,056	A *	4/1948	McIntyre	222/185.1
2,596,908	A *	5/1952	McIntyre	222/185.1
2,679,335	A *	5/1954	Bell	222/108
2,682,975	A *	7/1954	Stoner	222/108
4,772,072	A *	9/1988	Vick, Jr.	298/7
4,865,225	A *	9/1989	Chavez et al.	222/108
5,046,774	A *	9/1991	Stockell et al.	296/38
5,246,044	A *	9/1993	Robertson et al.	141/86
5,339,872	A *	8/1994	Marino	141/1
6,279,781	B1 *	8/2001	Konar	222/108

* cited by examiner

Primary Examiner—Nelson C. Holtje
(74) *Attorney, Agent, or Firm*—Robert D. Buyan; Stout, Uxa, Buyan & Mullins, LLP

(57) **CLAIM**

The ornamental design for a leakage containment apparatus for trash hauling vehicles, as shown and described.

DESCRIPTION

FIG. 1 is a front perspective view of a leakage containment apparatus for trash hauling vehicles showing my new design;

FIG. 2 is a top plan view thereof;

FIG. 3 is a left side elevational view thereof;

FIG. 4 is a bottom plan view thereof;

FIG. 5 is a rear elevational view thereof;

FIG. 6 is a front perspective view of a second embodiment of my new design of FIGS. 1–5 for a leakage containment apparatus for trash hauling vehicles;

FIG. 7 is a top plan view thereof;

FIG. 8 is a left side elevational view thereof;

FIG. 9 is a bottom plan view thereof;

FIG. 10 is a rear elevational view thereof;

FIG. 11 is a front perspective view of a third embodiment of my new design of FIGS. 1–5 for a leakage containment apparatus for trash hauling vehicles;

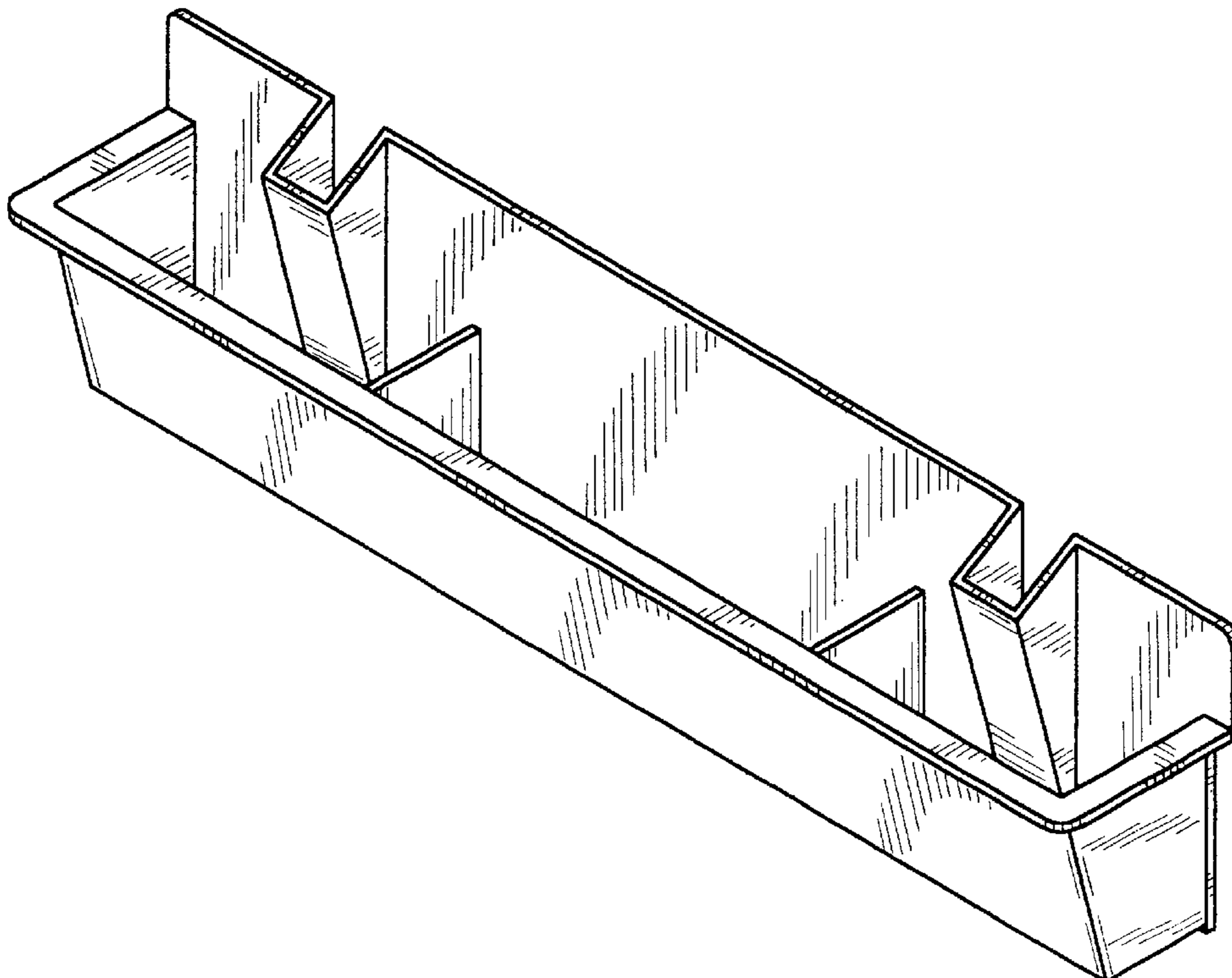
FIG. 12 is a top plan view thereof;

FIG. 13 is a left side elevational view thereof;

FIG. 14 is a bottom plan view thereof; and,

FIG. 15 is a rear elevational view thereof.

1 Claim, 6 Drawing Sheets



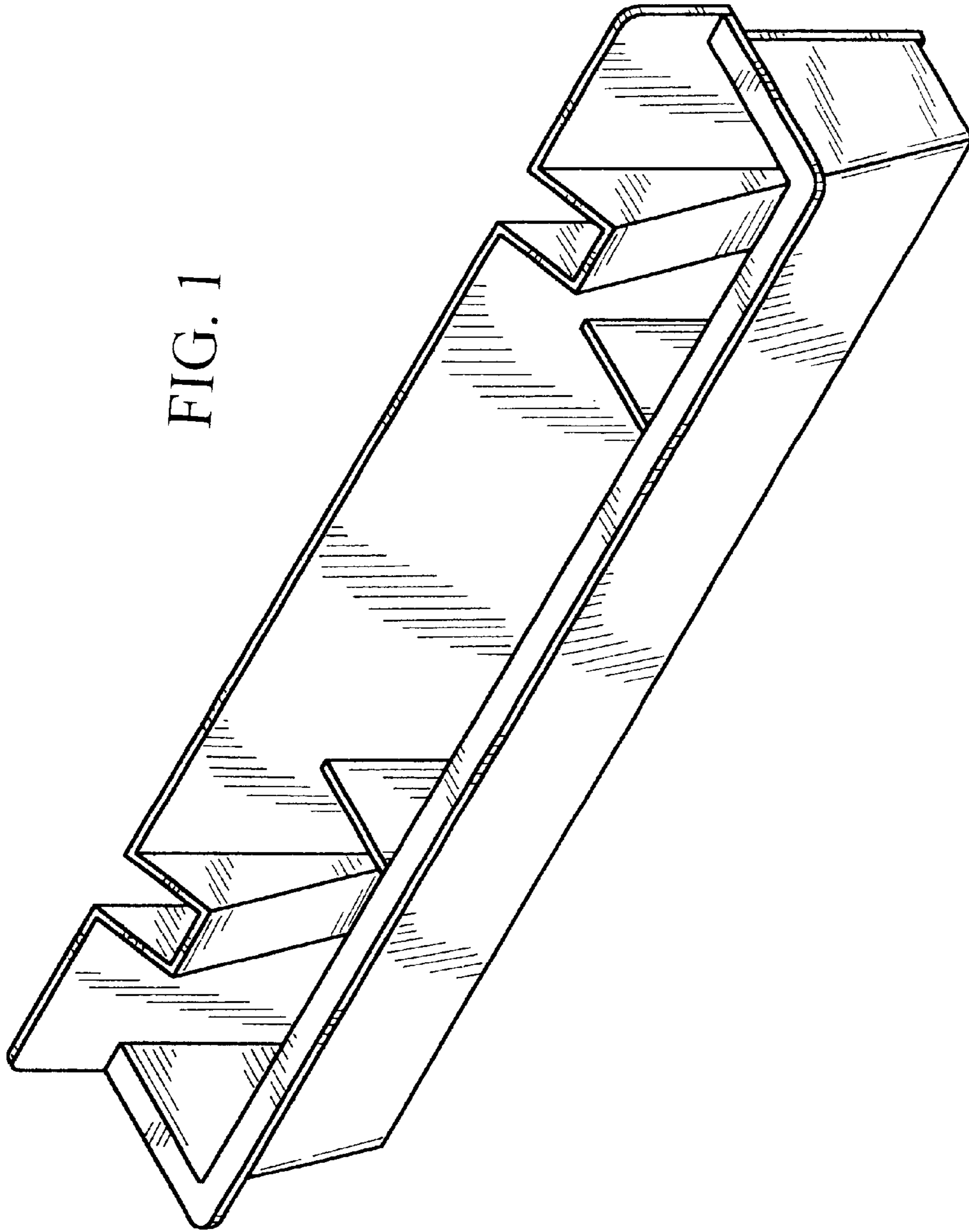


FIG. 1

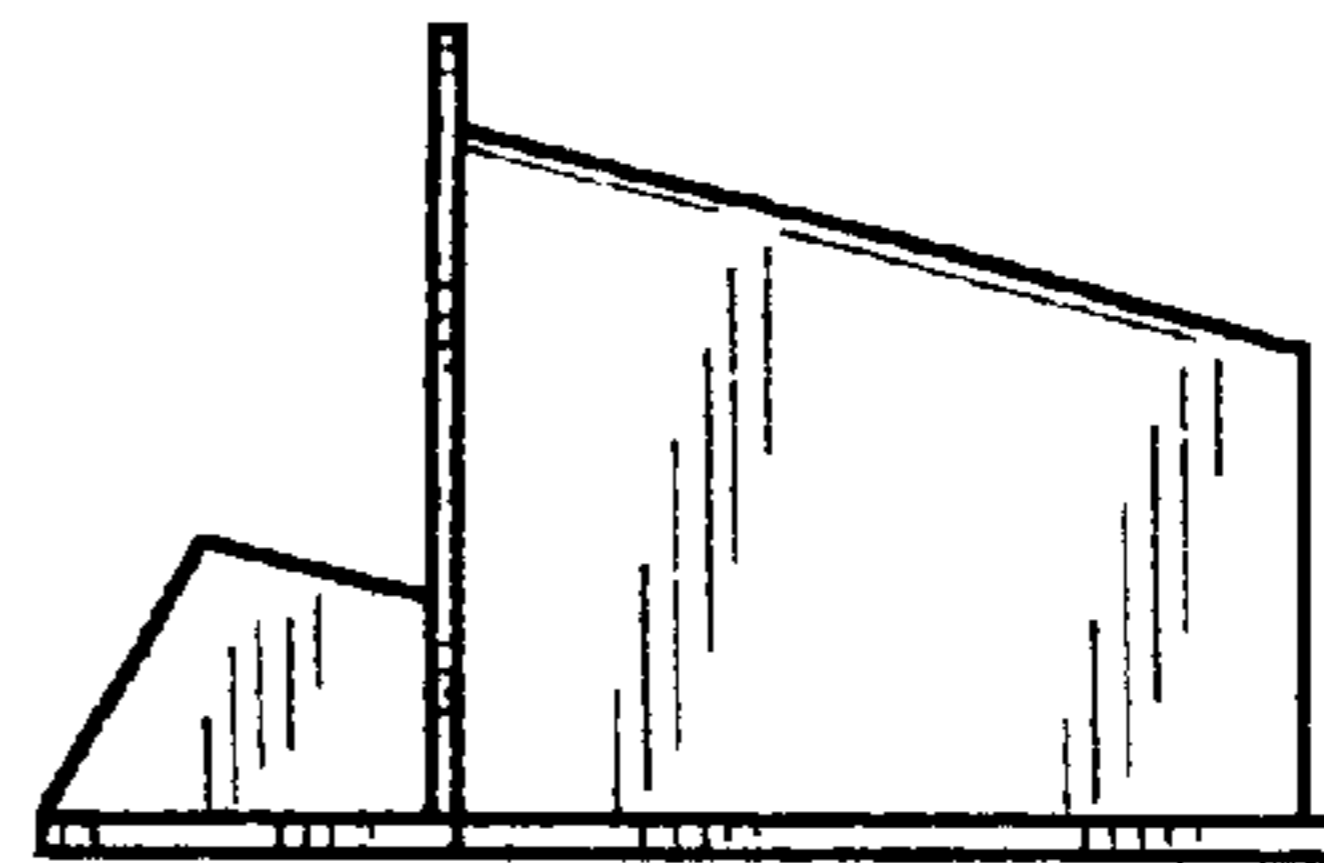


FIG. 3

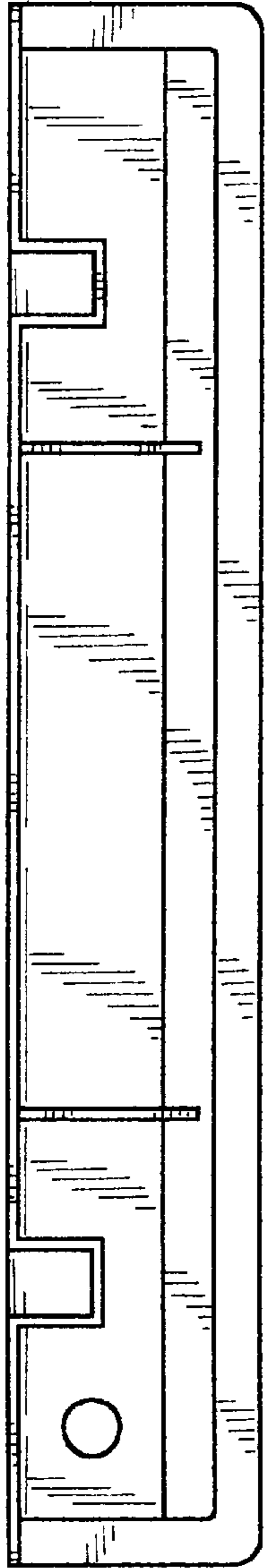


FIG. 2

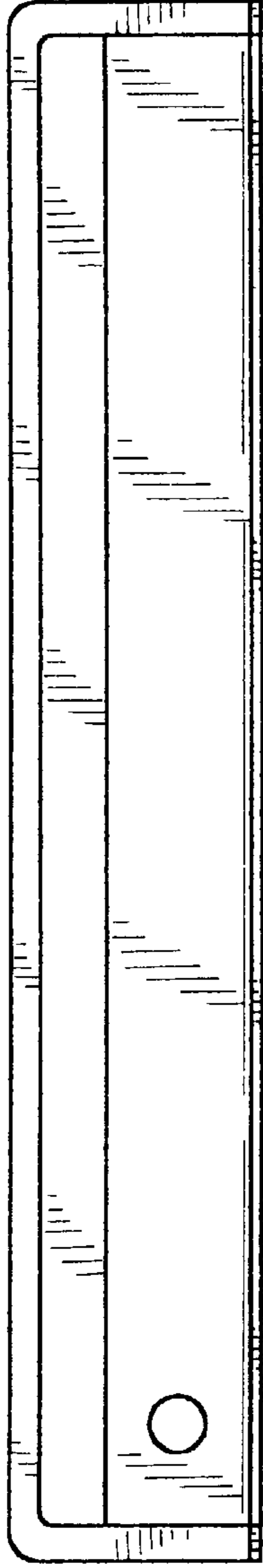


FIG. 4

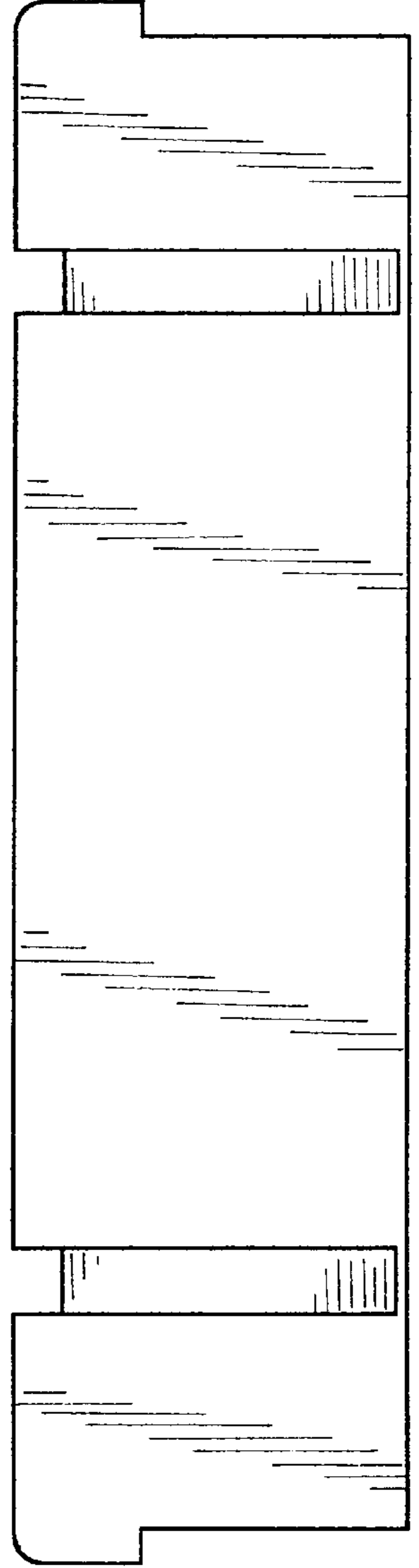
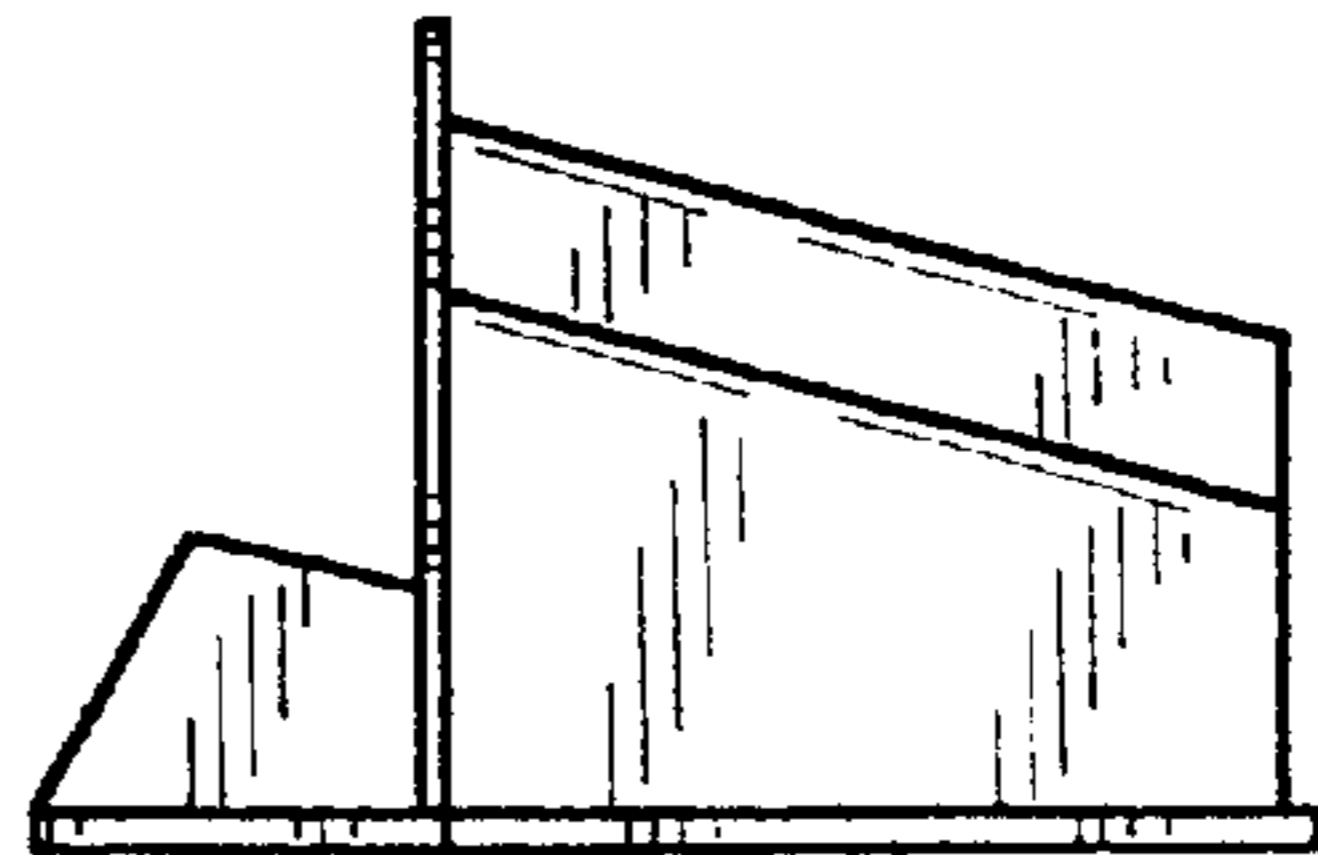
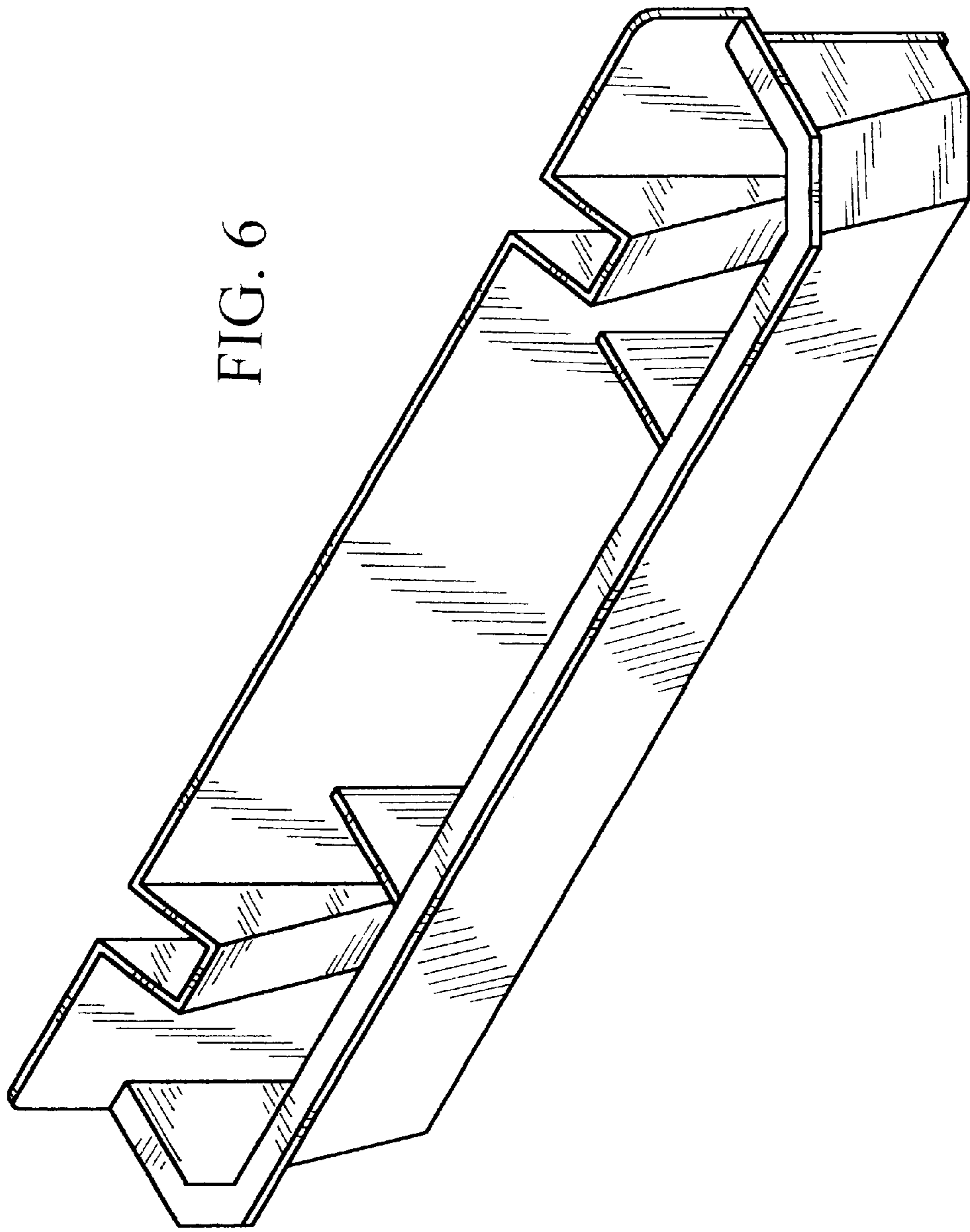


FIG. 5



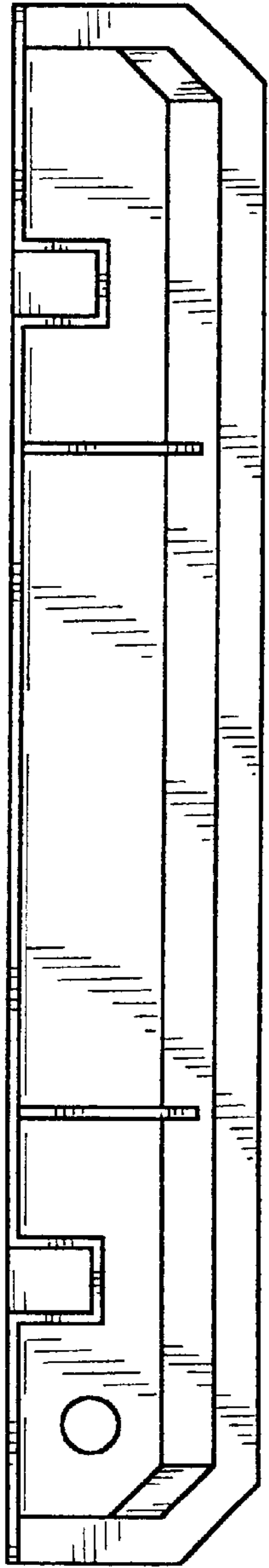


FIG. 7

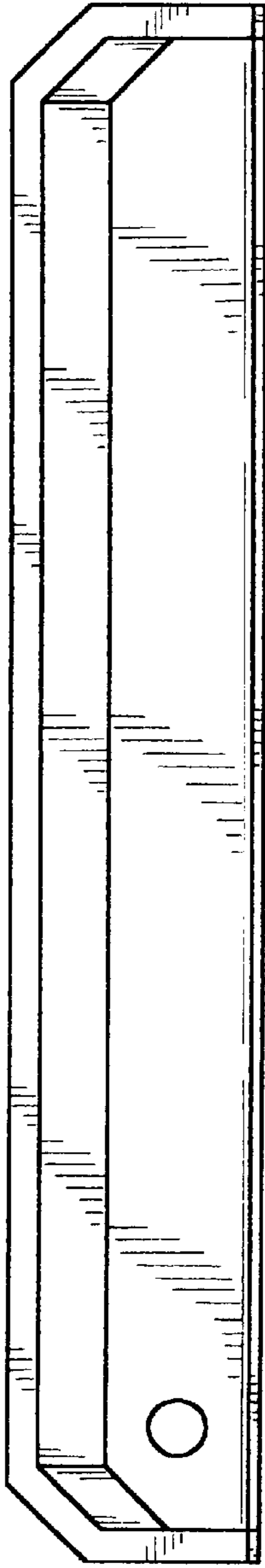


FIG. 9

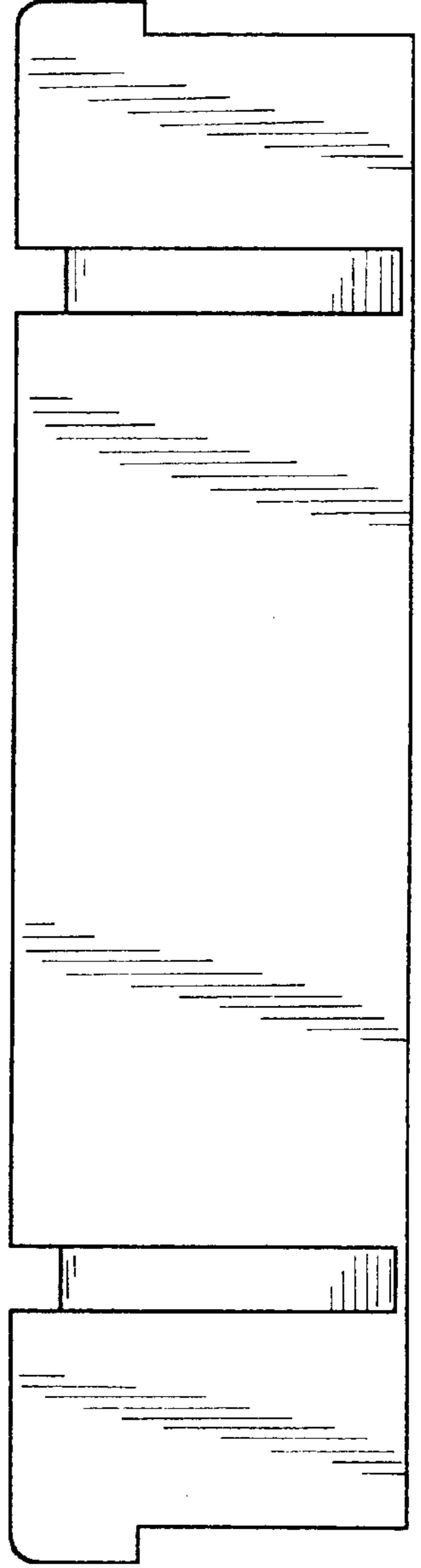


FIG. 10

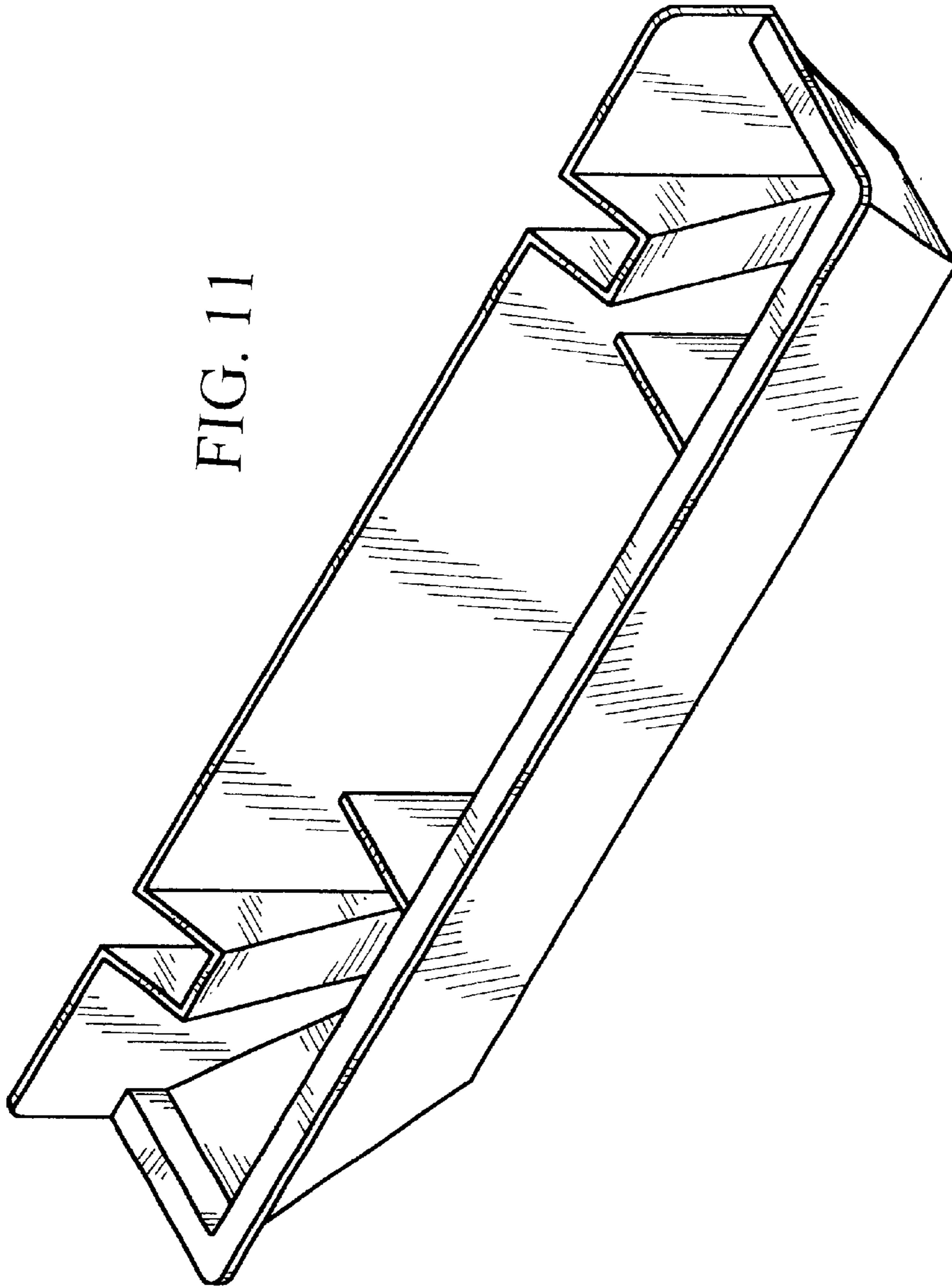


FIG. 11

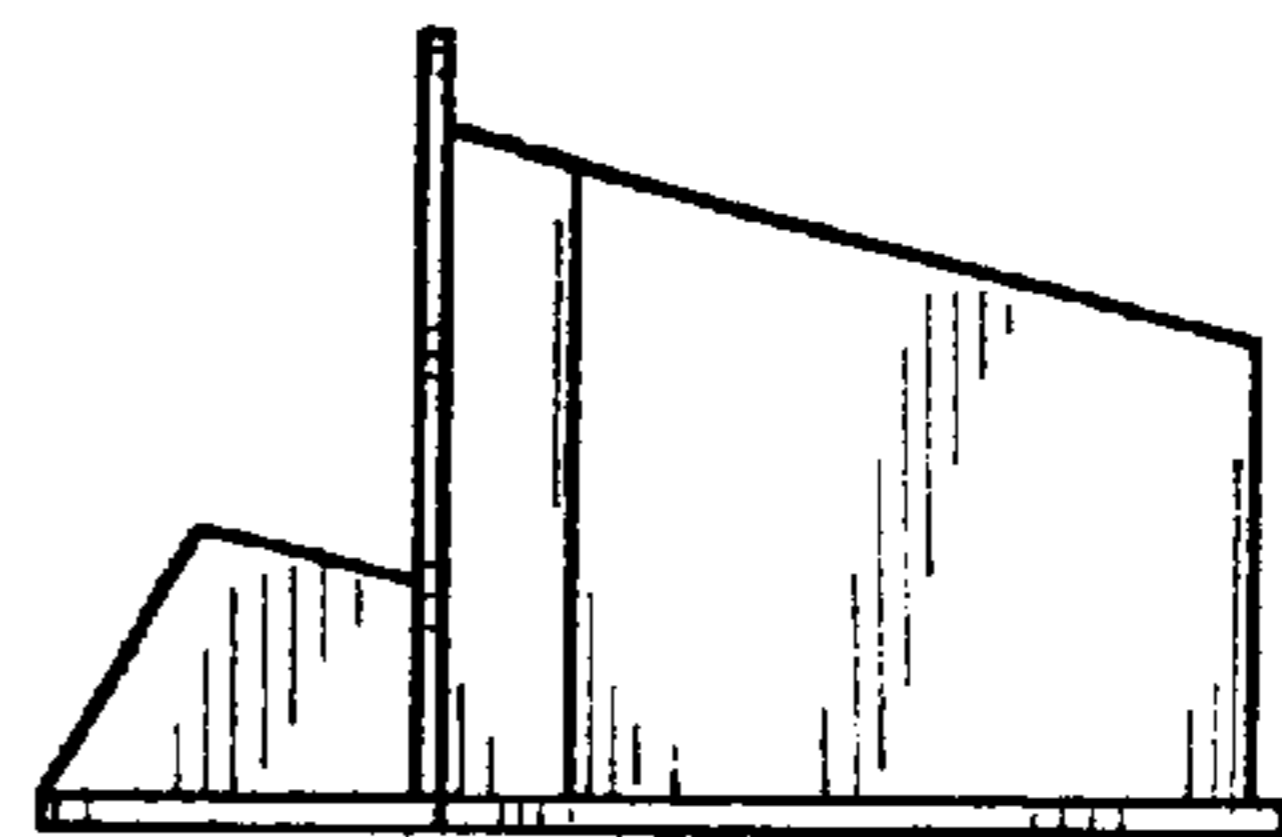


FIG. 13

FIG. 12

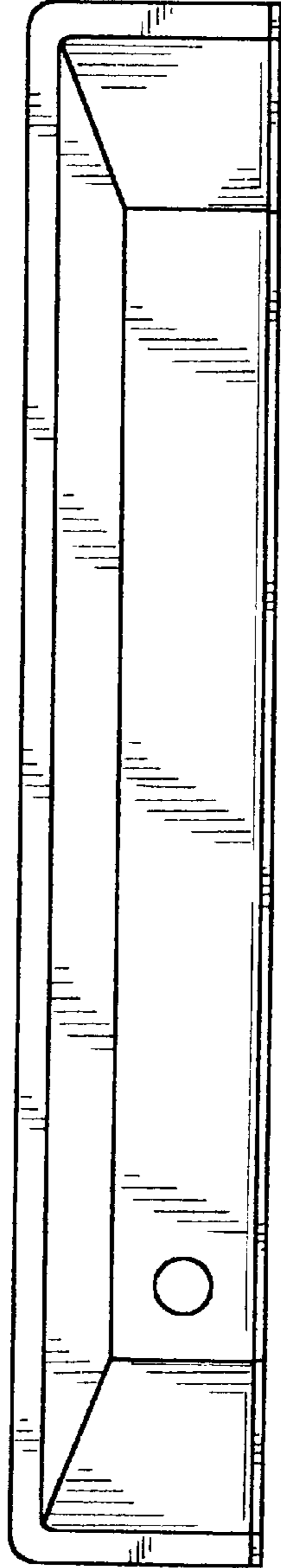
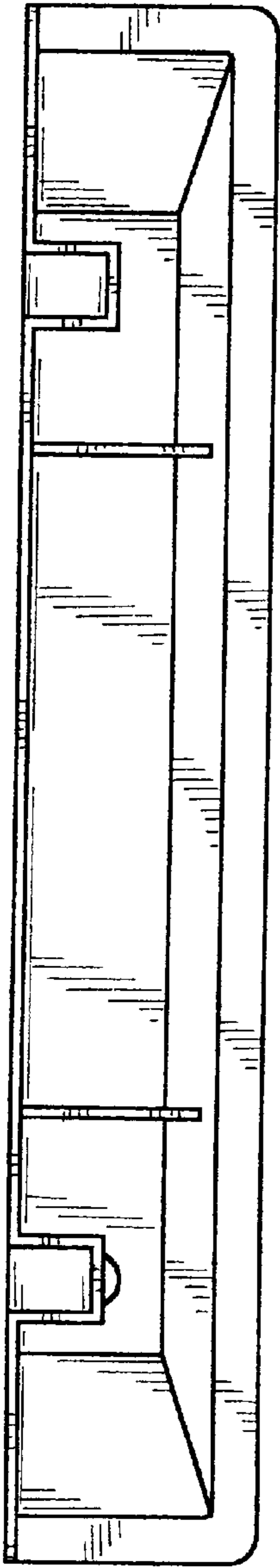


FIG. 14

FIG. 15

