



US00D480332S

(12) **United States Design Patent**
Cormican

(10) **Patent No.:** **US D480,332 S**

(45) **Date of Patent:** **** Oct. 7, 2003**

(54) **SNOWMOBILE SKI**

(76) Inventor: **Dale D. Cormican**, P.O. Box 68,
Mentor, MN (US) 56736

(**) Term: **14 Years**

(21) Appl. No.: **29/168,627**

(22) Filed: **Oct. 3, 2002**

Related U.S. Application Data

(63) Continuation-in-part of application No. 09/130,892, filed on Aug. 7, 1998, now Pat. No. 6,331,008, and a division of application No. 29/139,157, filed on Mar. 26, 2001, now Pat. No. Des. 466,832.

(51) **LOC (7) Cl.** **12-14**

(52) **U.S. Cl.** **D12/7**

(58) **Field of Search** D12/7; D21/760,
D21/766, 771, 801, 803; 280/25-26, 22,
28, 16, 602, 809; 180/180-184, 190

(56) **References Cited**

U.S. PATENT DOCUMENTS

3,967,692	A	*	7/1976	Hoffman	180/5	R
5,165,709	A	*	11/1992	Jacques	280/28	
5,344,168	A	*	9/1994	Olson et al.	280/28	
6,086,101	A	*	7/2000	Cormican	280/809	
6,331,008	B2	*	12/2001	Cormican	280/22	
D466,832	S	*	12/2002	Cormican	D12/7	

* cited by examiner

Primary Examiner—Nelson C. Holtje

(74) *Attorney, Agent, or Firm*—Michael S. Neustel

(57) **CLAIM**

The ornamental design for a snowmobile ski, as shown and described.

DESCRIPTION

FIG. 1 is an upper perspective view of a snowmobile ski showing my new design.

FIG. 2 is a front view of a snowmobile ski showing my new design.

FIG. 3 is a rear view of a snowmobile ski showing my new design.

FIG. 4 is a top view of a snowmobile ski showing my new design.

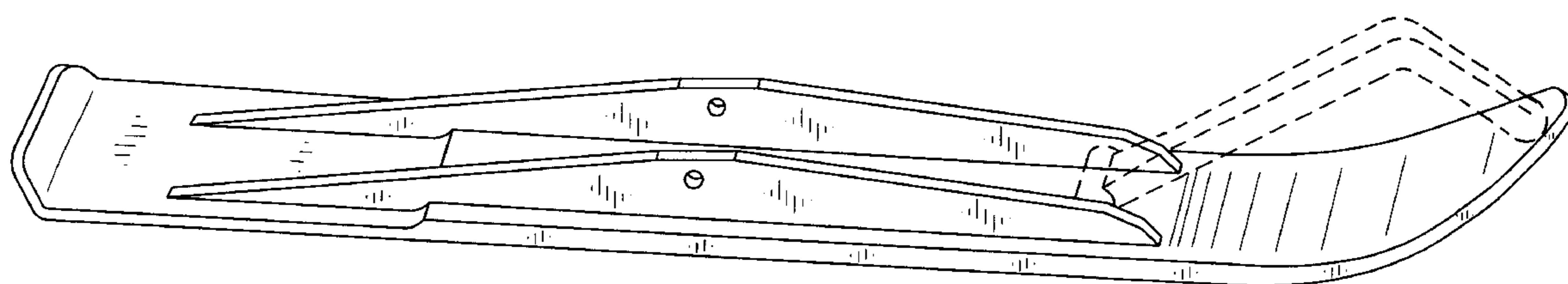
FIG. 5 is a bottom view of a snowmobile ski showing my new design.

FIG. 6 is a right side view of a snowmobile ski showing my new design; and,

FIG. 7 is a left side view of a snowmobile ski showing my new design.

Any shading and cross-hatching are not features of the design but are utilized to illustrate the surface contours of the snowmobile ski in the drawings. Any dashed lines are not features of the design but are utilized to illustrate an example loop member attachable to the ski and should not be considered part of the invention.

1 Claim, 3 Drawing Sheets



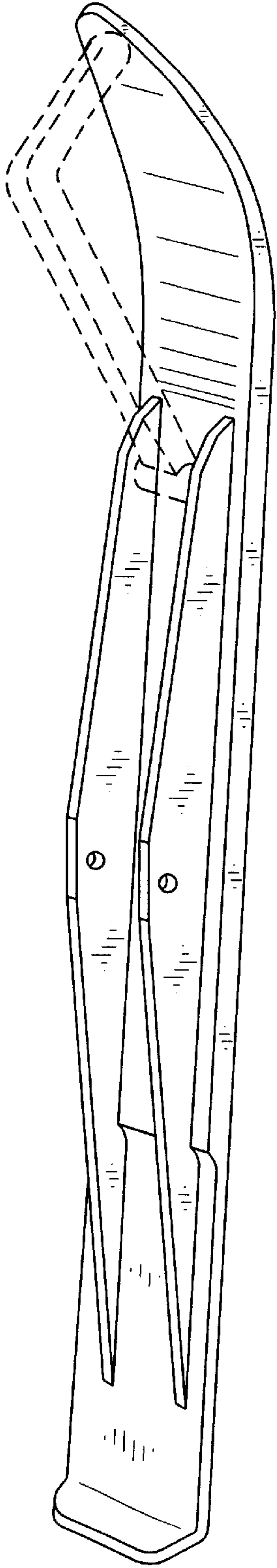


Fig. 1

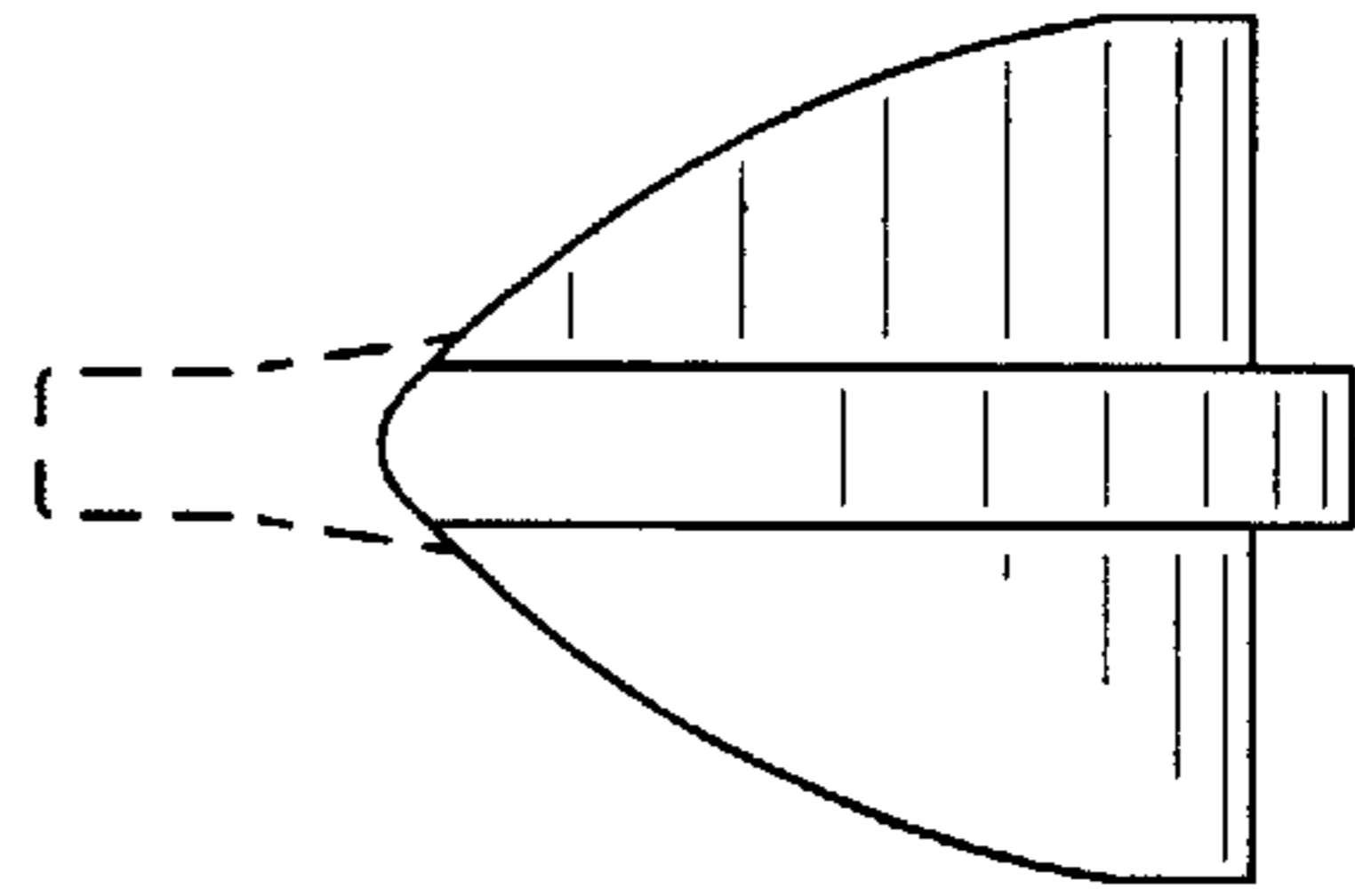


Fig. 2

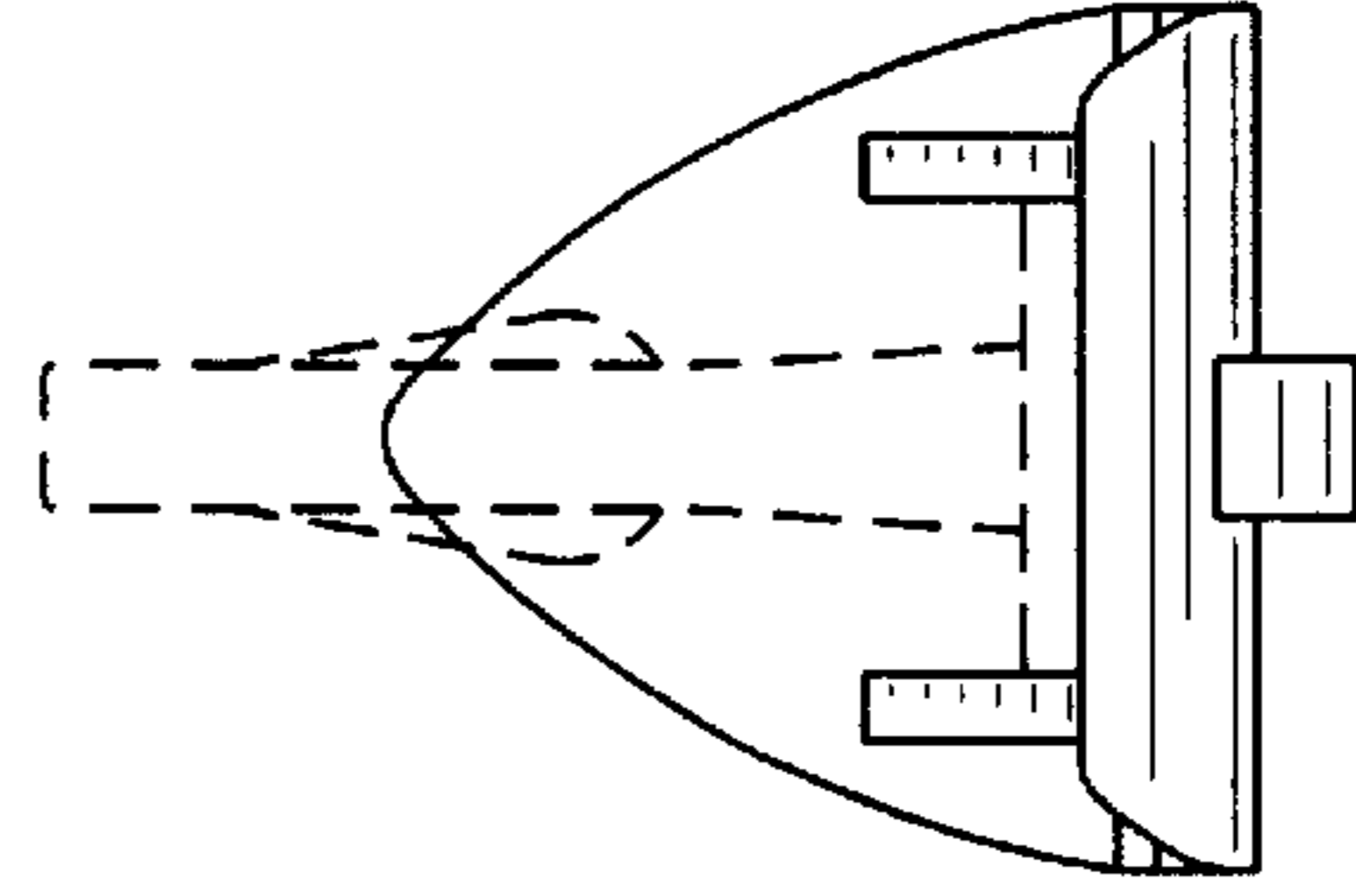


Fig. 3

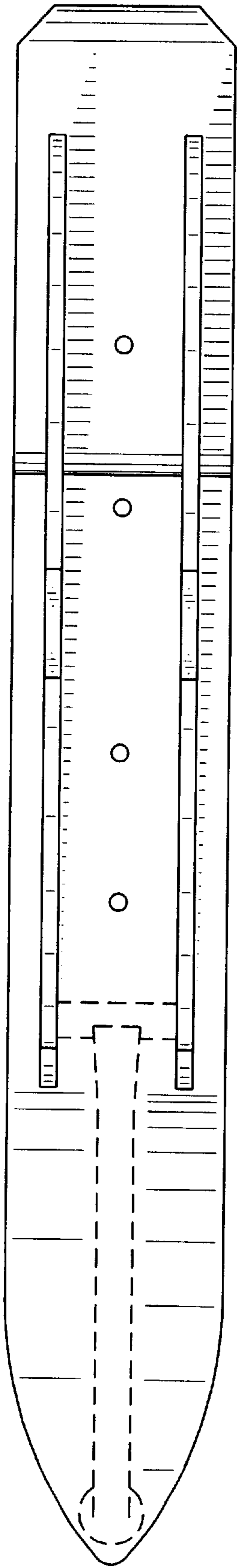


Fig. 4

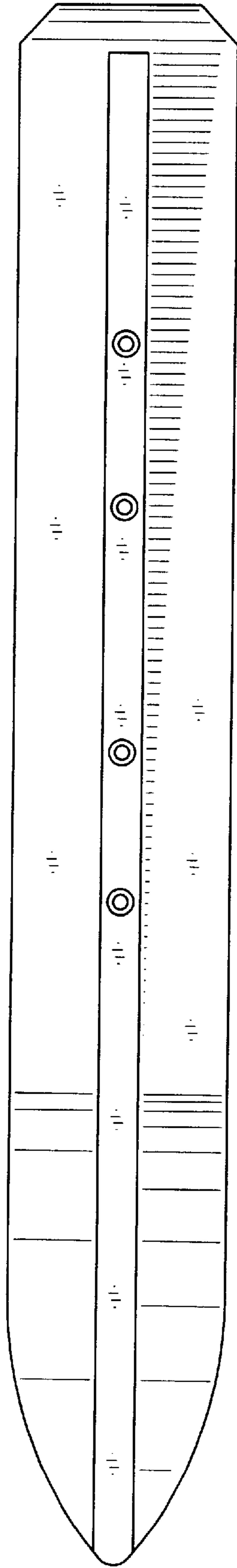


Fig. 5

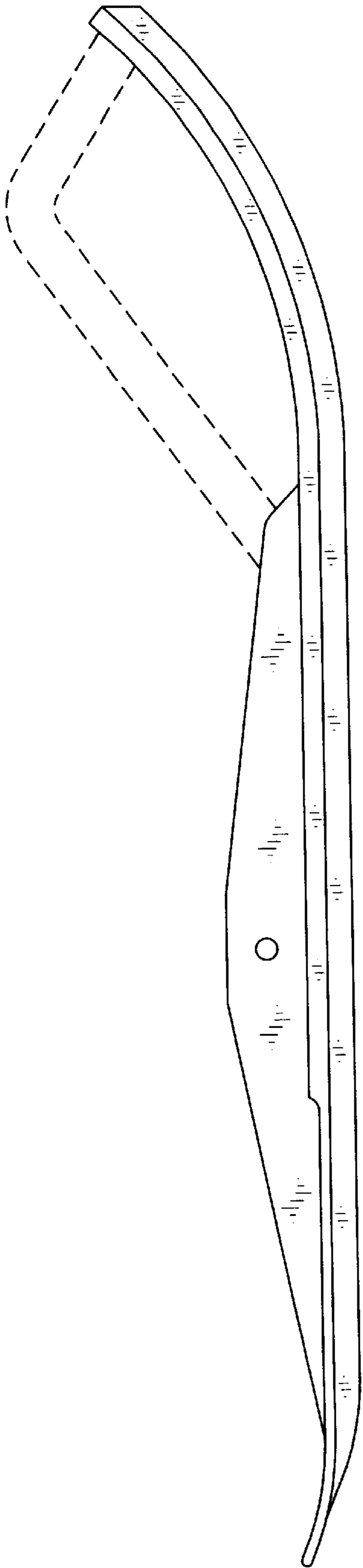


Fig. 6

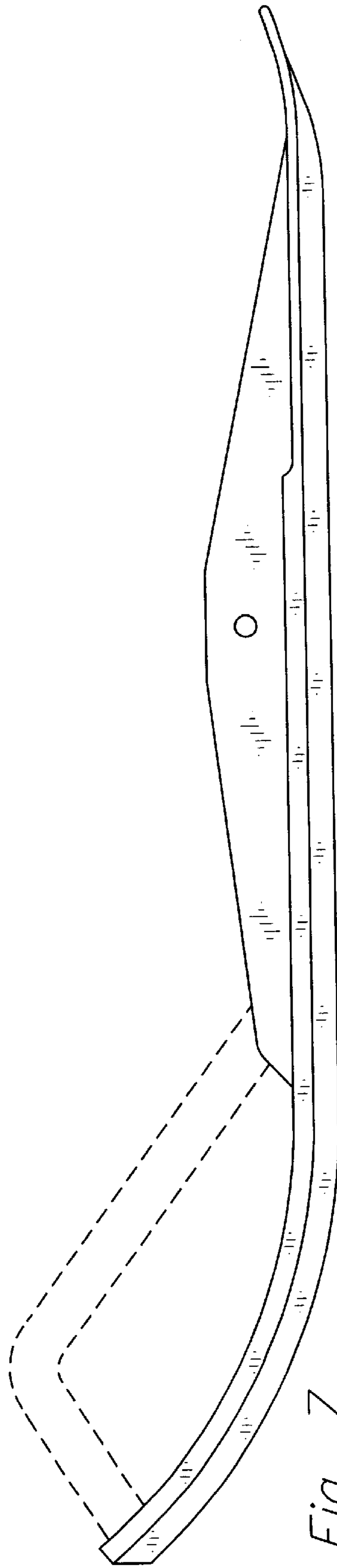


Fig. 7