



US00D480331S

(12) **United States Design Patent**
Miller

(10) **Patent No.:** **US D480,331 S**

(45) **Date of Patent:** **** Oct. 7, 2003**

(54) **TWO PIECE THROTTLE BLOCK FOR SNOWMOBILES**

D469,385 S * 1/2003 Miller D12/7

* cited by examiner

(76) **Inventor:** **James R. Miller**, 529 S. Lavina Ave., Sand Point, ID (US) 83864

Primary Examiner—Nelson C. Holtje

(74) *Attorney, Agent, or Firm*—Jensen & Puntigam, P.S.

(**) **Term:** **14 Years**

(57) **CLAIM**

(21) **Appl. No.:** **29/167,756**

The ornamental design for a two piece throttle block for snowmobiles, as shown and described.

(22) **Filed:** **Sep. 20, 2002**

DESCRIPTION

(51) **LOC (7) Cl.** **12-14**

(52) **U.S. Cl.** **D12/7; D12/174**

(58) **Field of Search** **D12/7, 114, 174, D12/175, 177; 180/335, 190**

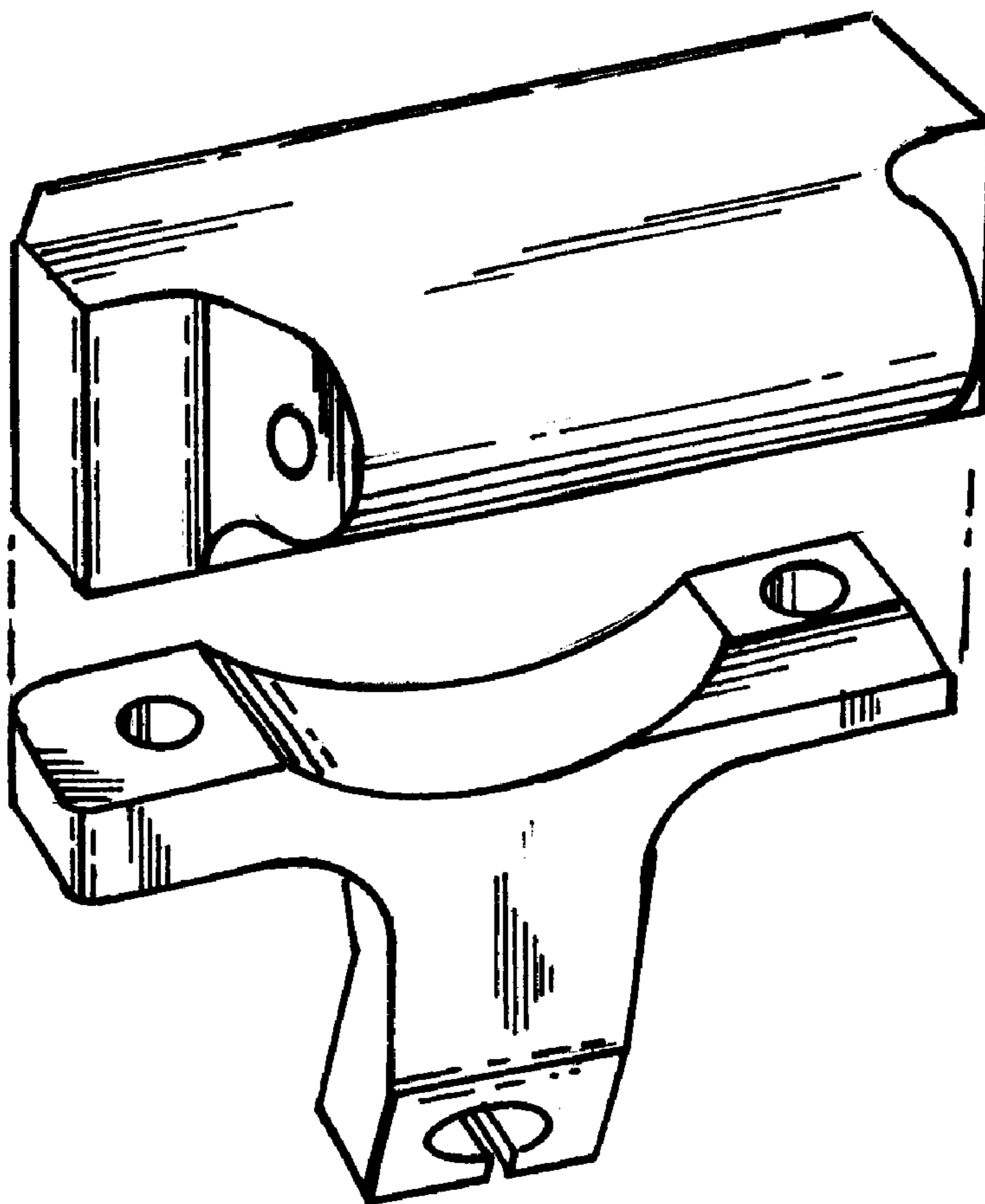
FIG. 1 is an isometric view of a two piece throttle block for snowmobiles, showing my new design; FIG. 2 is a front elevational view thereof; FIG. 3 is a rear elevational view thereof; FIG. 4 is a right side elevational view thereof; FIG. 5 is a left side elevational view thereof; FIG. 6 is a top plan view thereof; and, FIG. 7 is a bottom plan view thereof.

(56) **References Cited**

U.S. PATENT DOCUMENTS

- D112,128 S * 11/1938 Peo D12/179
- D289,751 S * 5/1987 Boyett D12/179
- D391,528 S * 3/1998 Pingel et al. D12/114

1 Claim, 2 Drawing Sheets



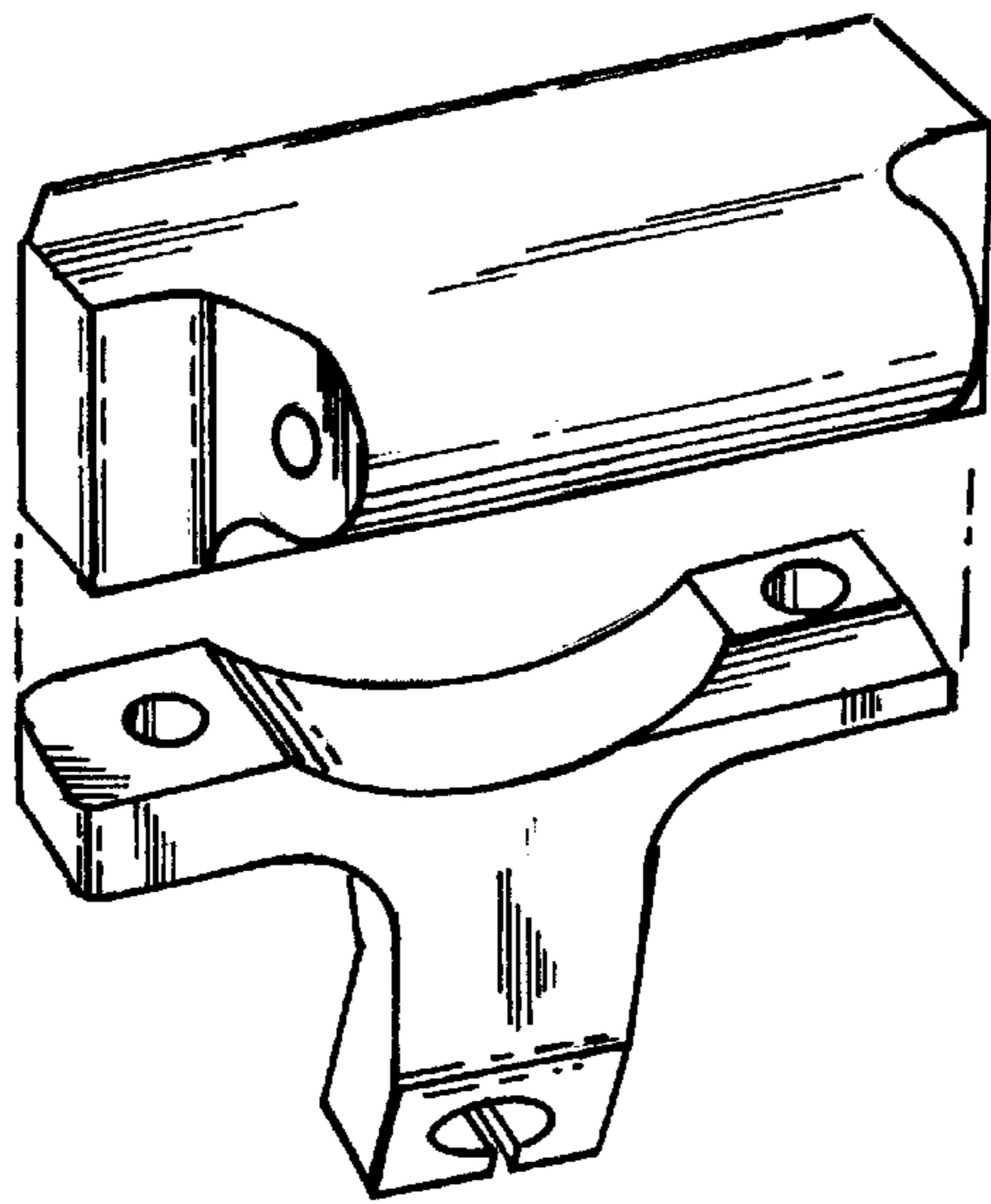


FIG. 1

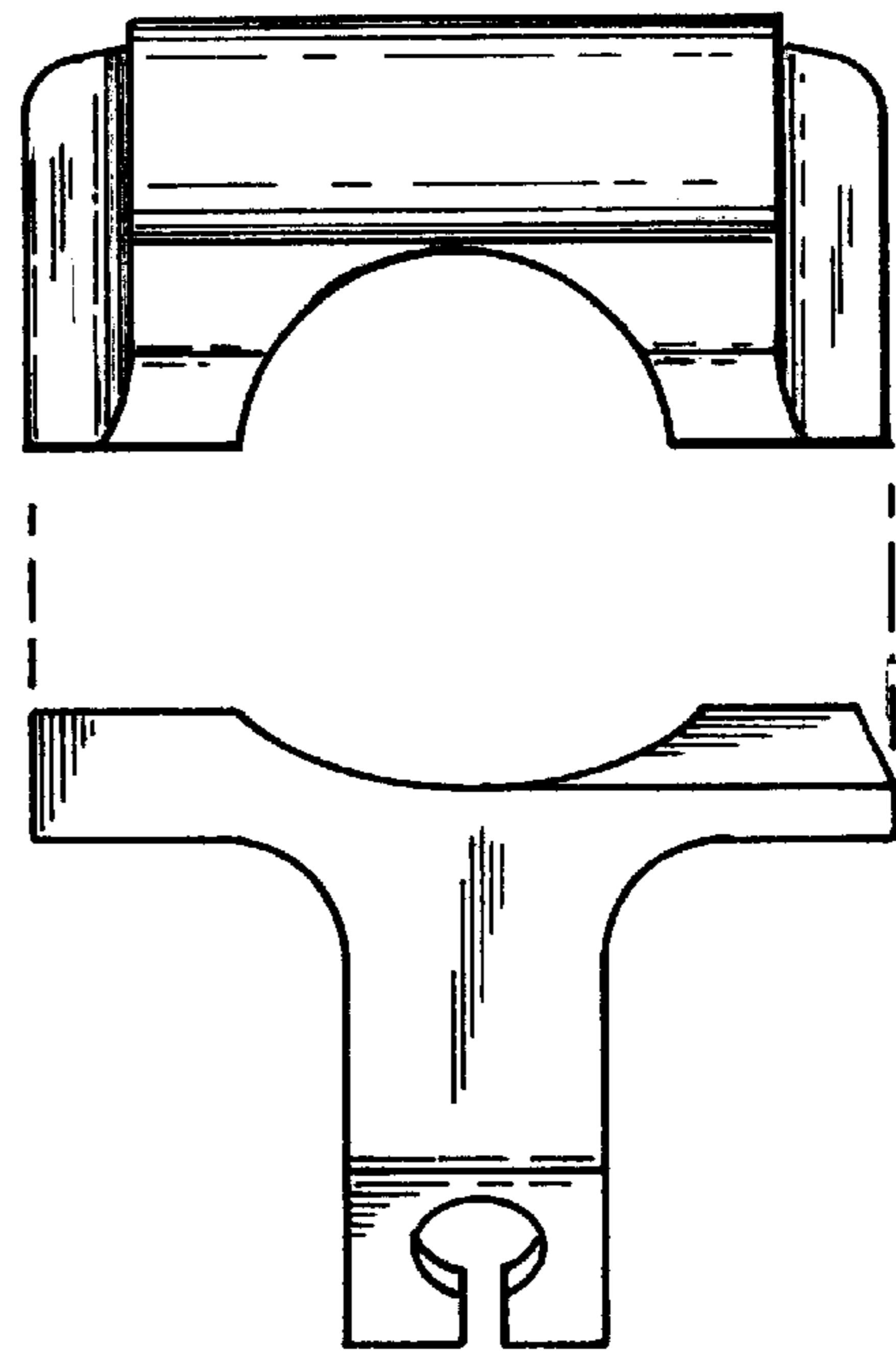


FIG. 2

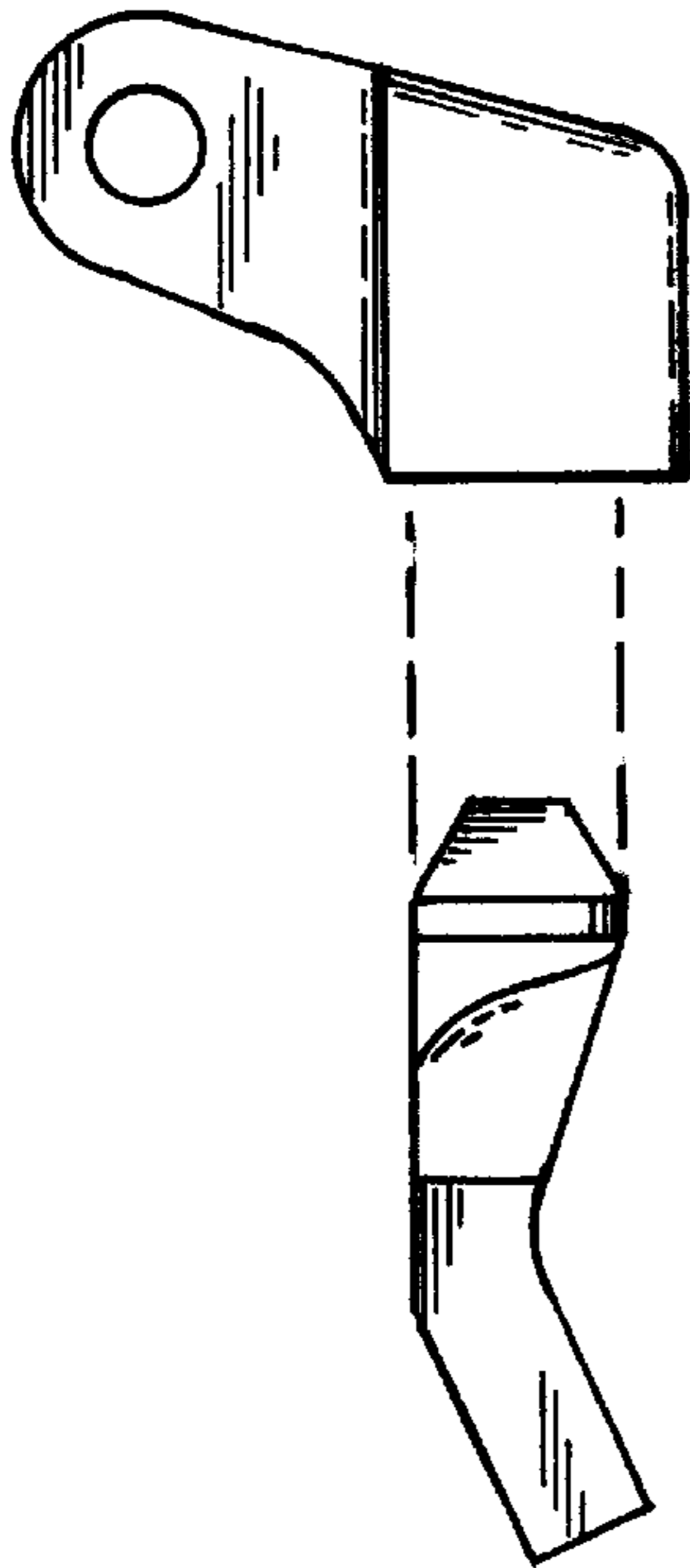


FIG. 3

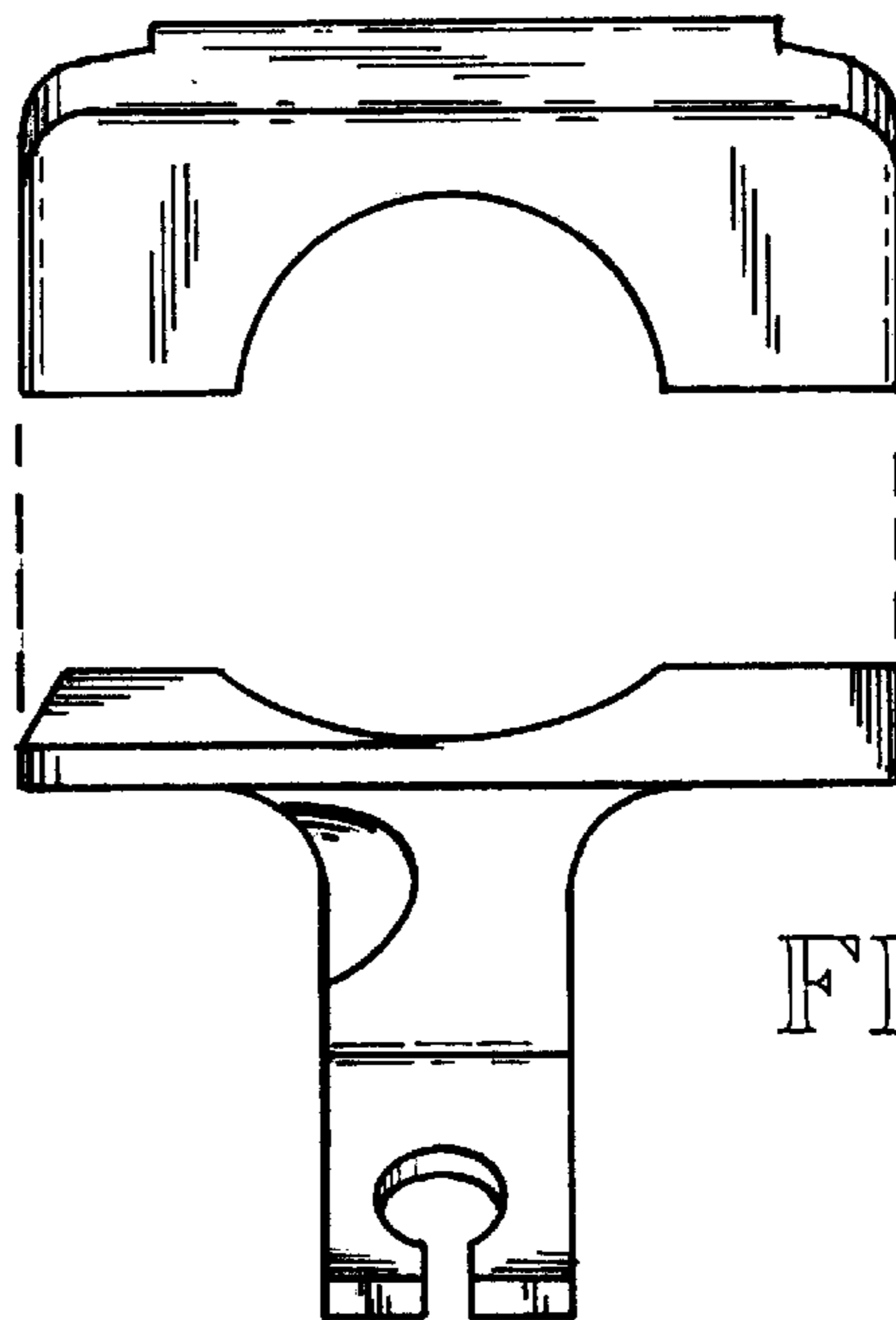


FIG. 4

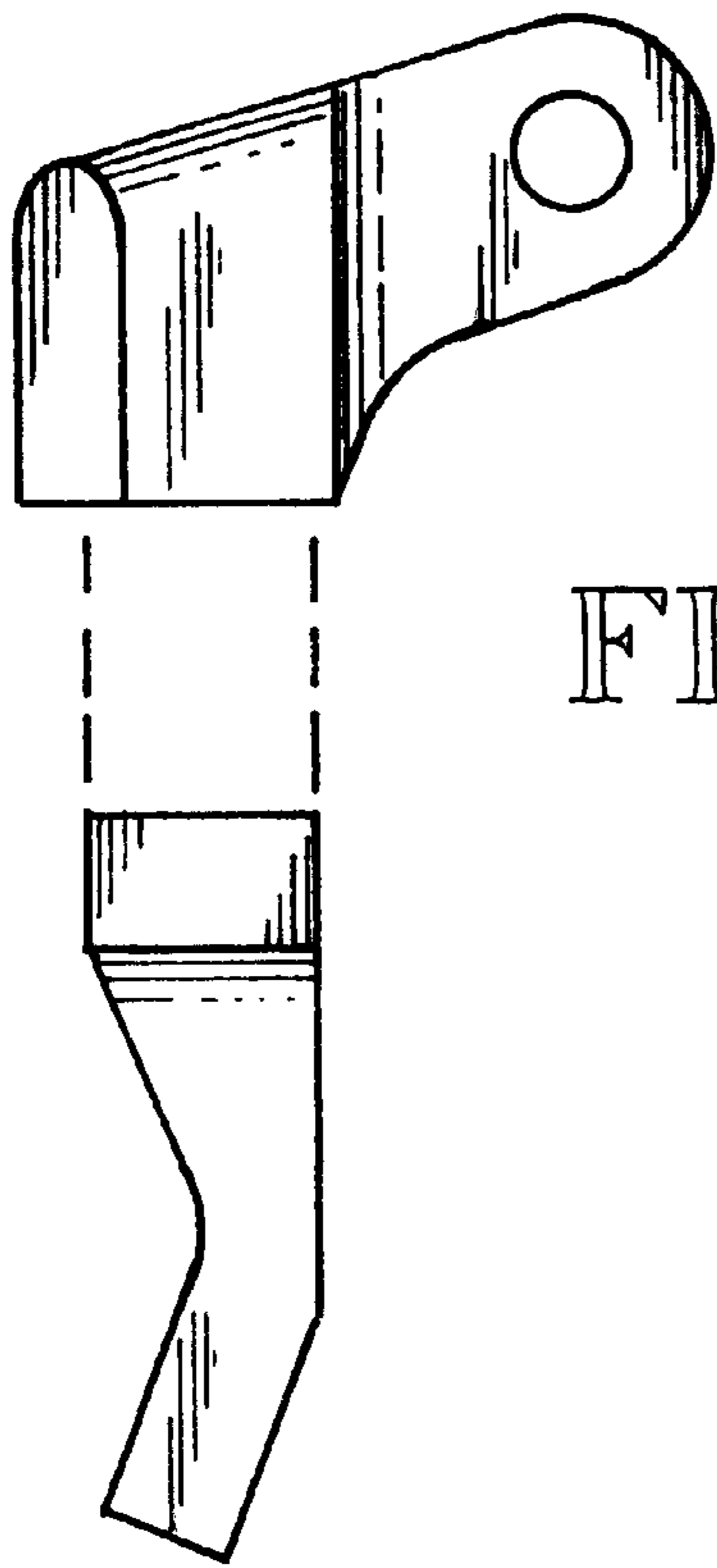


FIG. 5

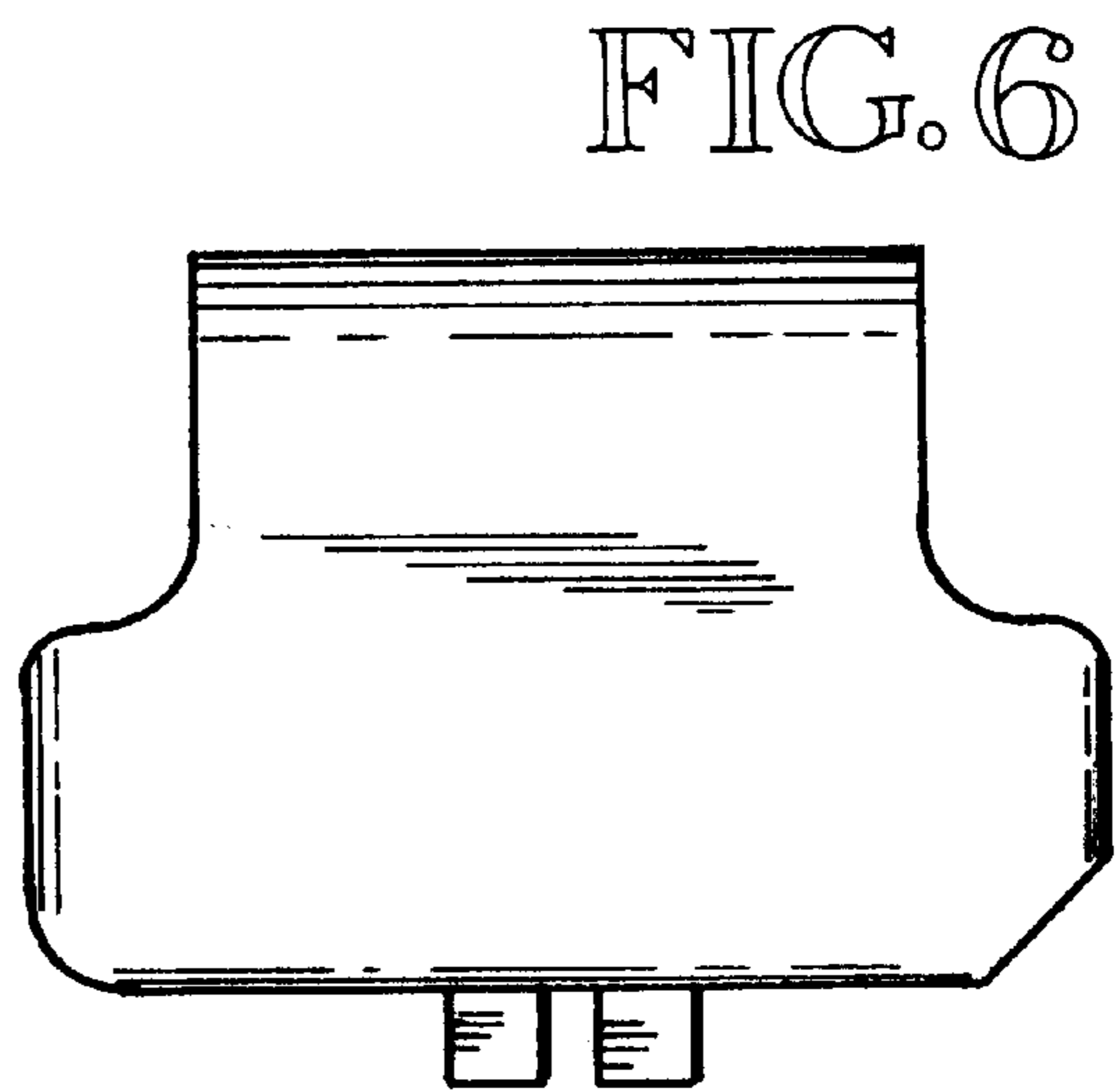


FIG. 6

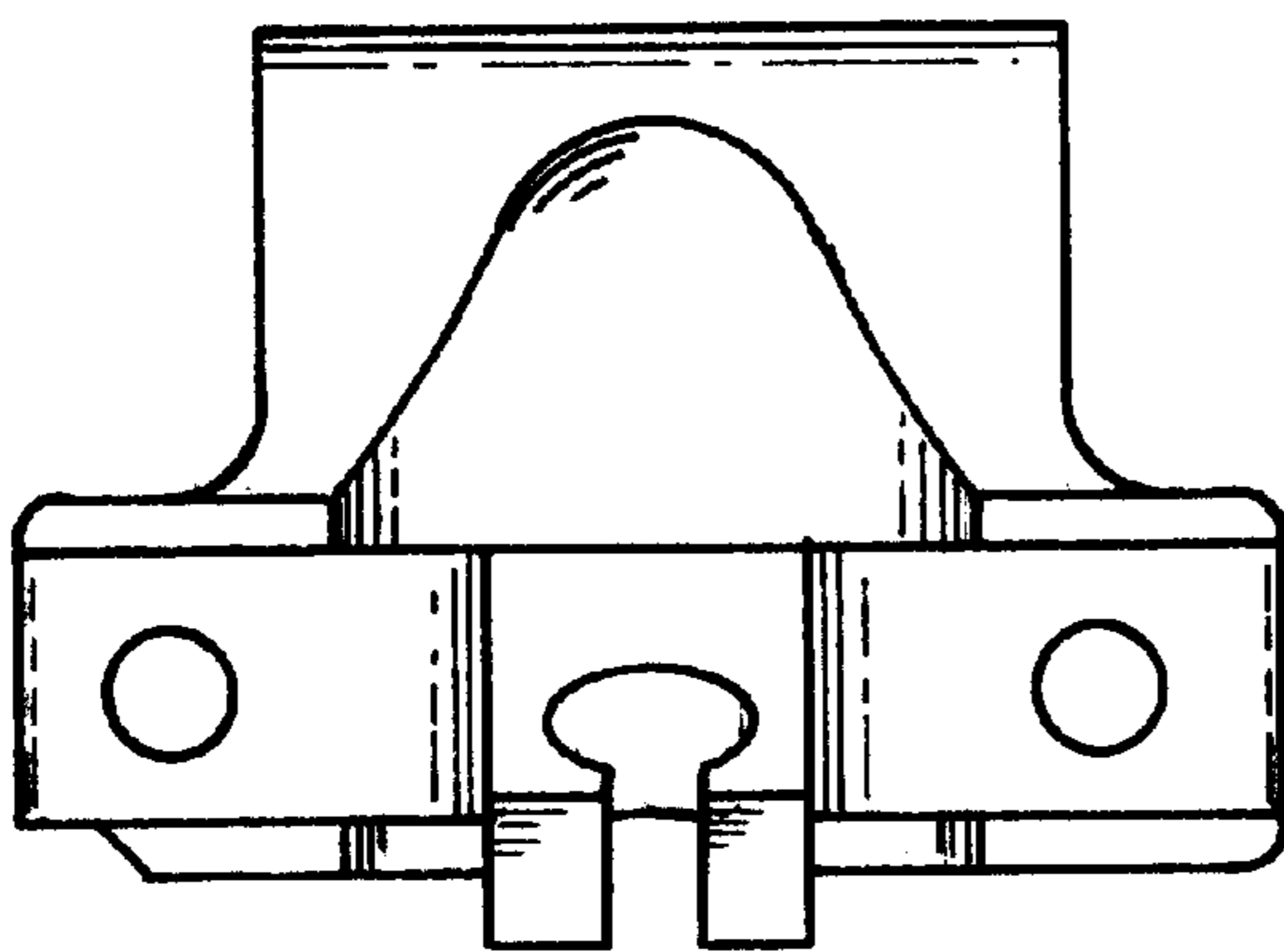


FIG. 7