



US00D480330S

(12) **United States Design Patent**
Miller

(10) **Patent No.:** **US D480,330 S**

(45) **Date of Patent:** **** Oct. 7, 2003**

(54) **CABLE ADAPTOR FOR SNOWMOBILES**

(76) **Inventor:** **James R. Miller**, 529 S. Lavina Ave.,
Sand Point, ID (US) 83864

(**) **Term:** **14 Years**

(21) **Appl. No.:** **29/167,754**

(22) **Filed:** **Sep. 20, 2002**

(51) **LOC (7) Cl.** **12-14**

(52) **U.S. Cl.** **D12/7; D12/174**

(58) **Field of Search** **D12/7, 174, 179,**
D12/114, 177; 180/190, 335

(56) **References Cited**

U.S. PATENT DOCUMENTS

D370,649 S	*	6/1996	Chen	D12/179
D454,819 S	*	3/2002	Nakazawa	D12/179
6,443,027 B1	*	9/2002	Cheever et al.	74/502.2
D468,665 S	*	1/2003	Miller	D12/7

* cited by examiner

Primary Examiner—Nelson C. Holtje

(74) *Attorney, Agent, or Firm*—Jensen & Puntigam, P.S.

(57) **CLAIM**

The ornamental design for a cable adaptor for snowmobiles,
as shown and described.

DESCRIPTION

FIG. 1 is an isometric view of a cable adaptor for snowmo-
biles, showing my new design;

FIG. 2 is a front elevational view thereof;

FIG. 3 is a rear elevational view thereof;

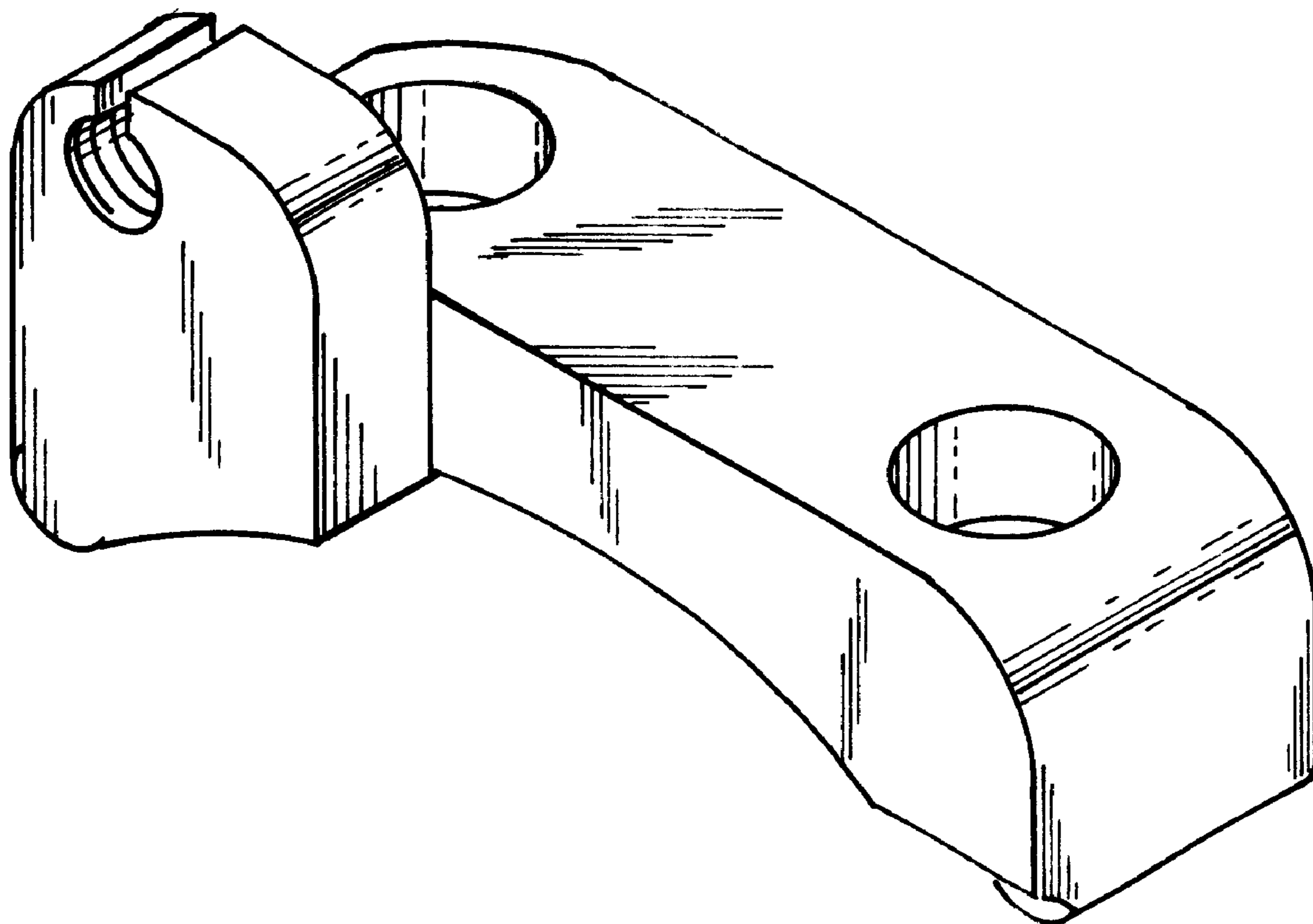
FIG. 4 is a right side elevational view thereof;

FIG. 5 is a left side elevational view thereof;

FIG. 6 is a top plan view thereof; and,

FIG. 7 is a bottom plan view thereof.

1 Claim, 2 Drawing Sheets



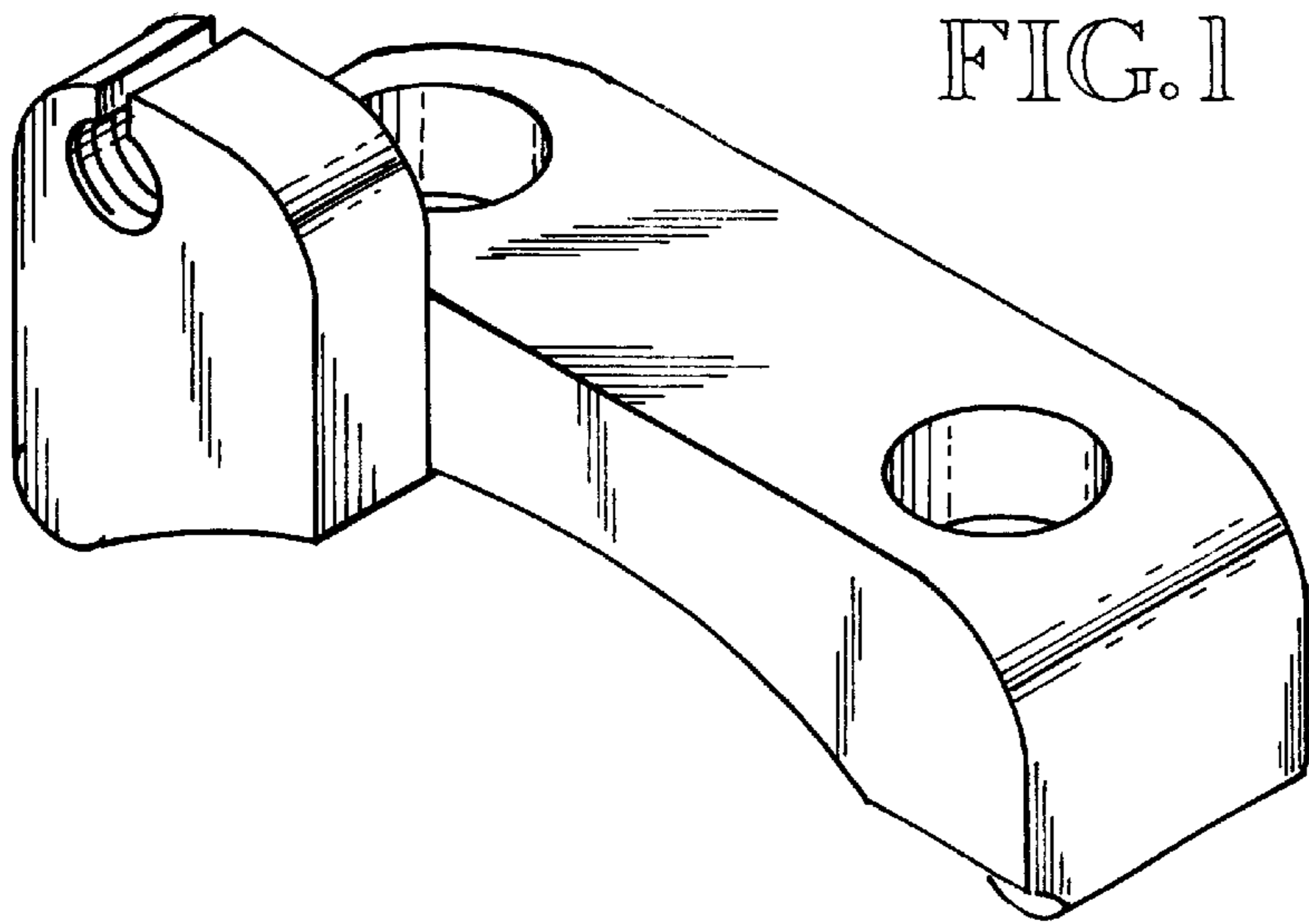


FIG. 1

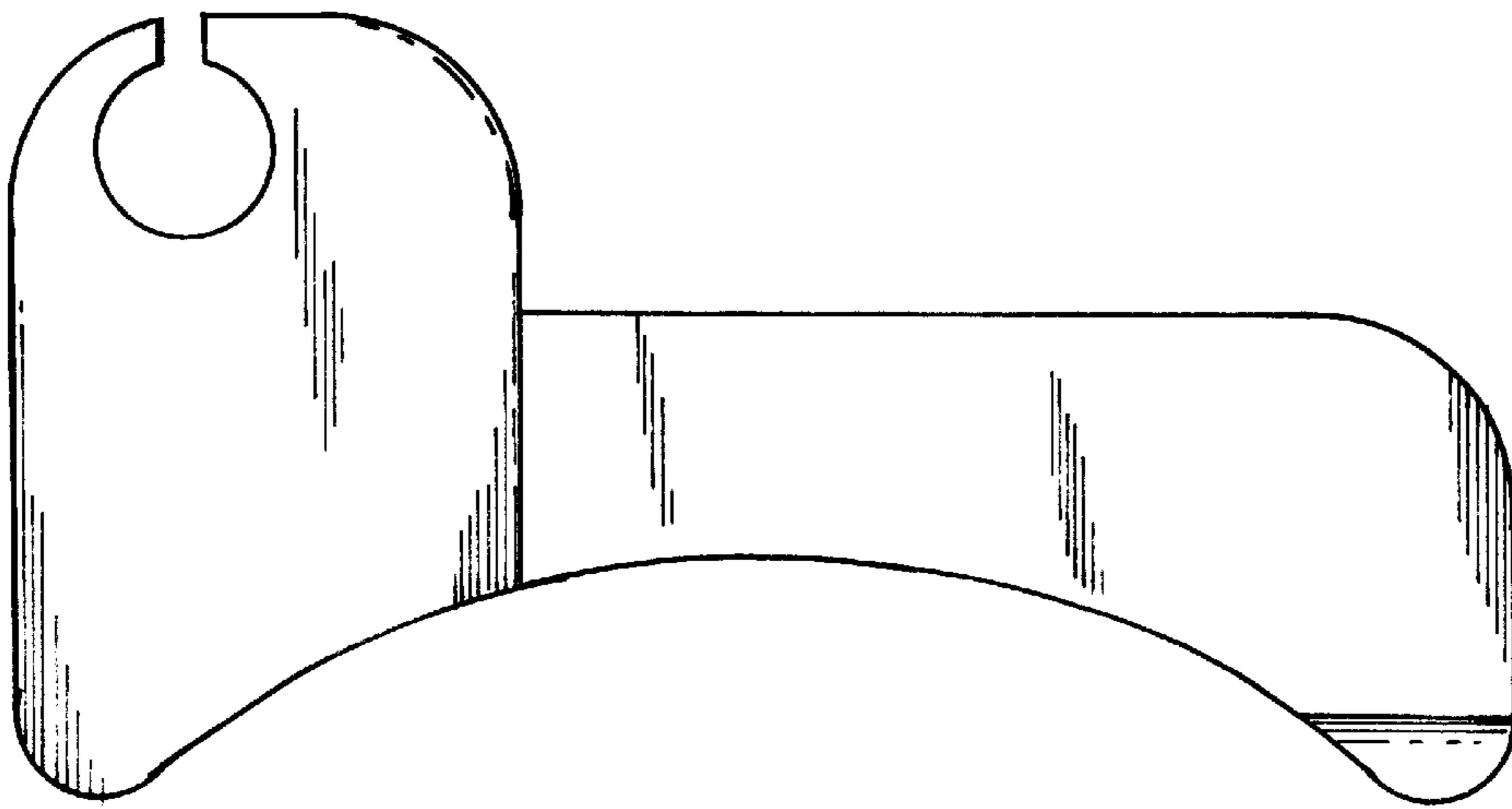


FIG. 2

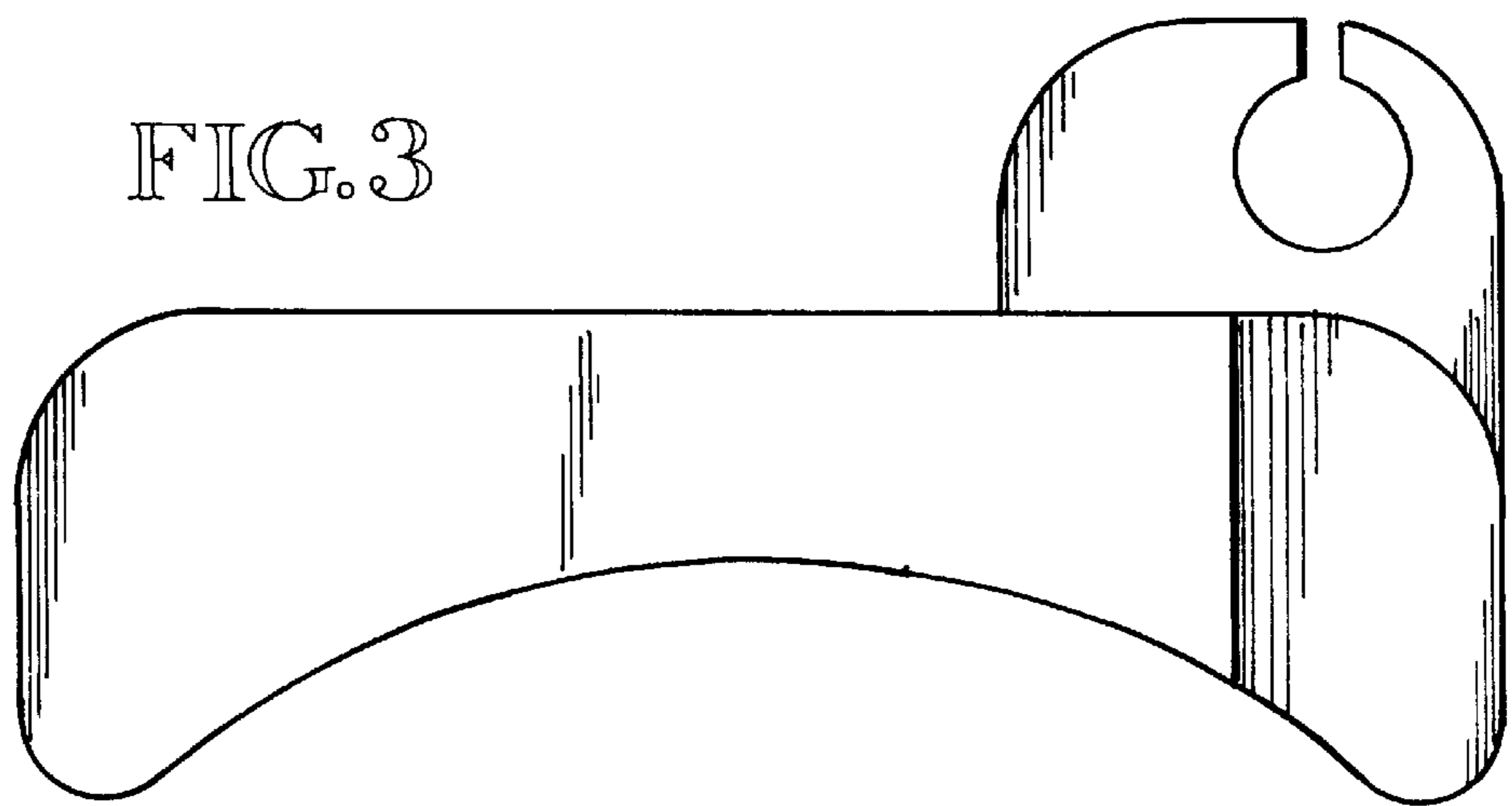


FIG. 3

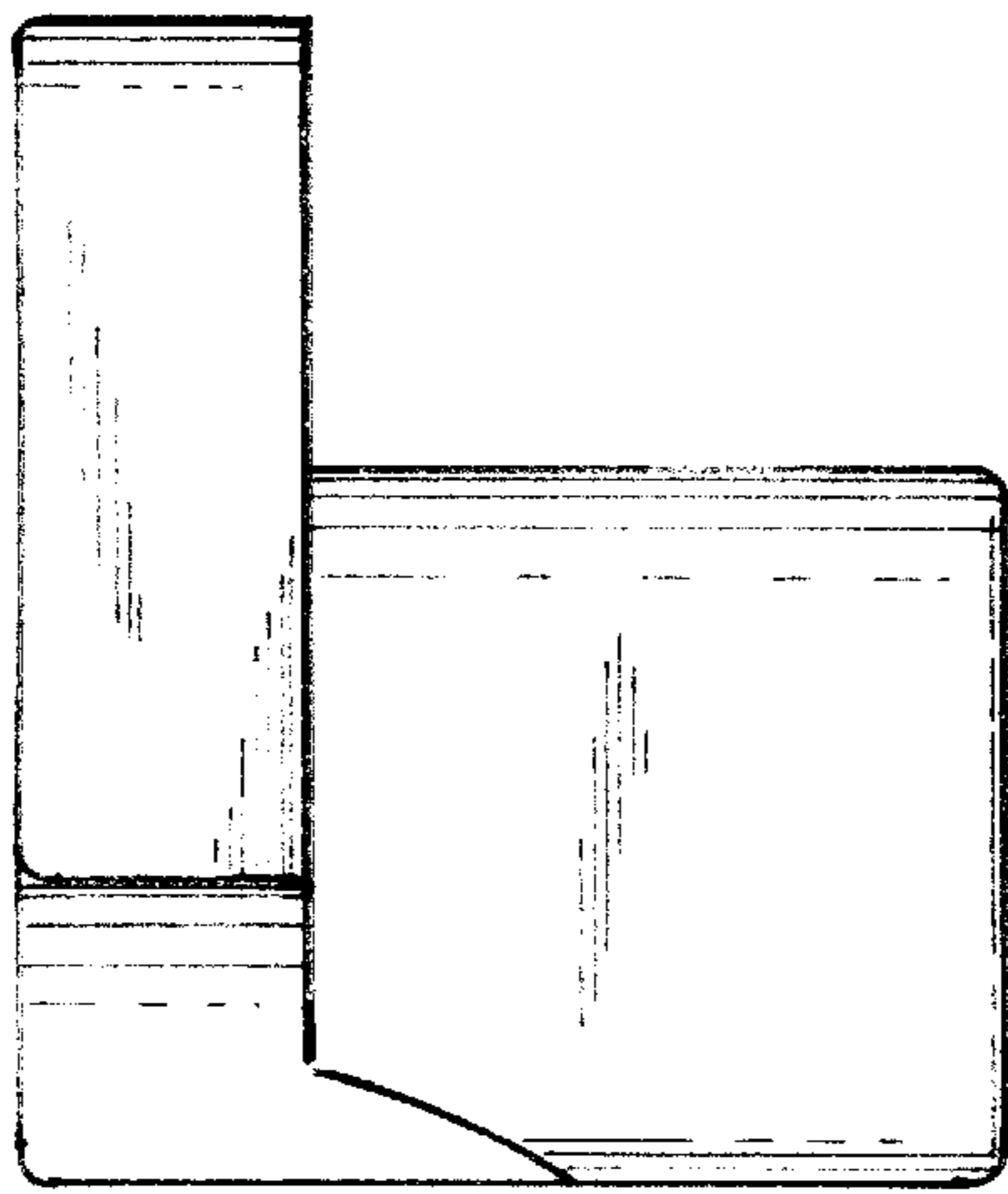


FIG. 4

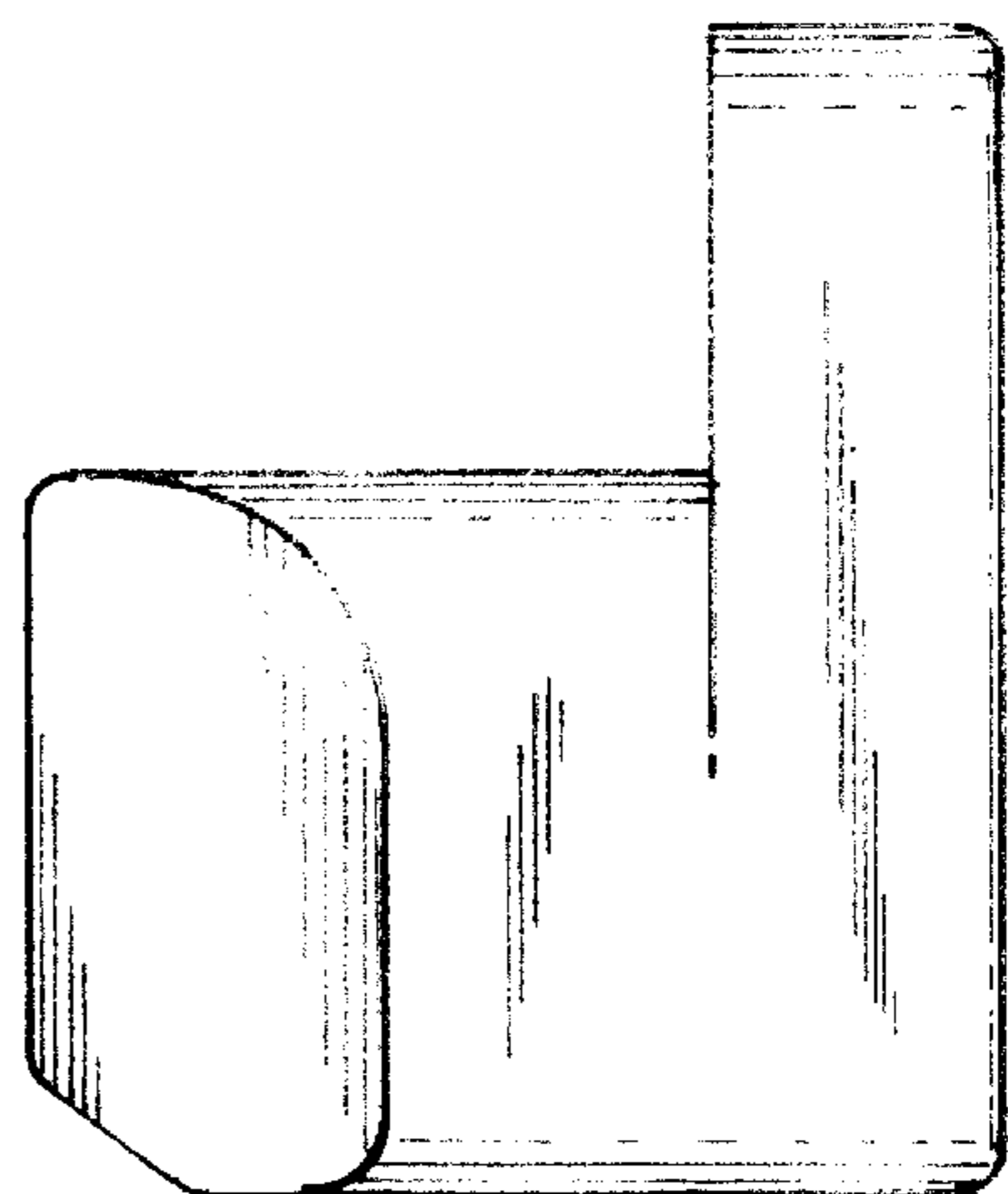


FIG. 5

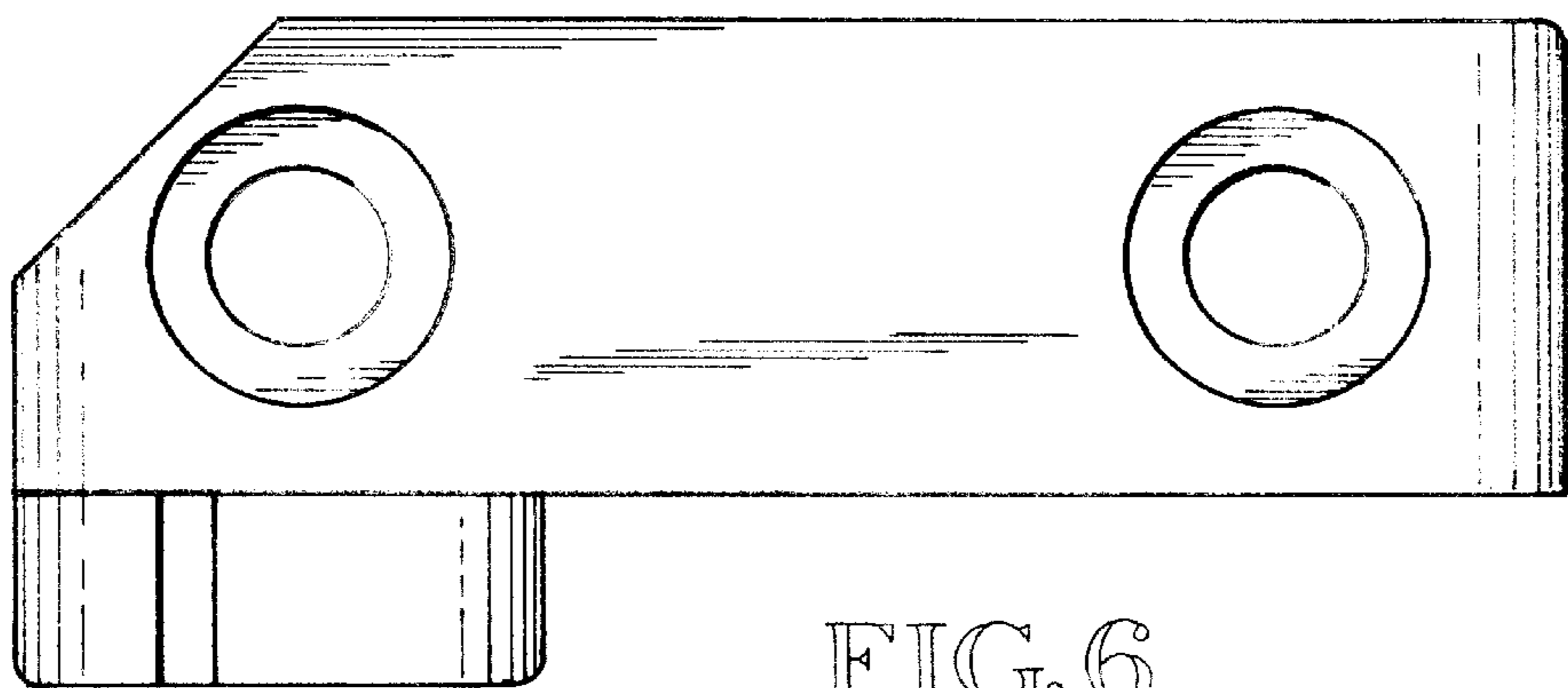


FIG. 6

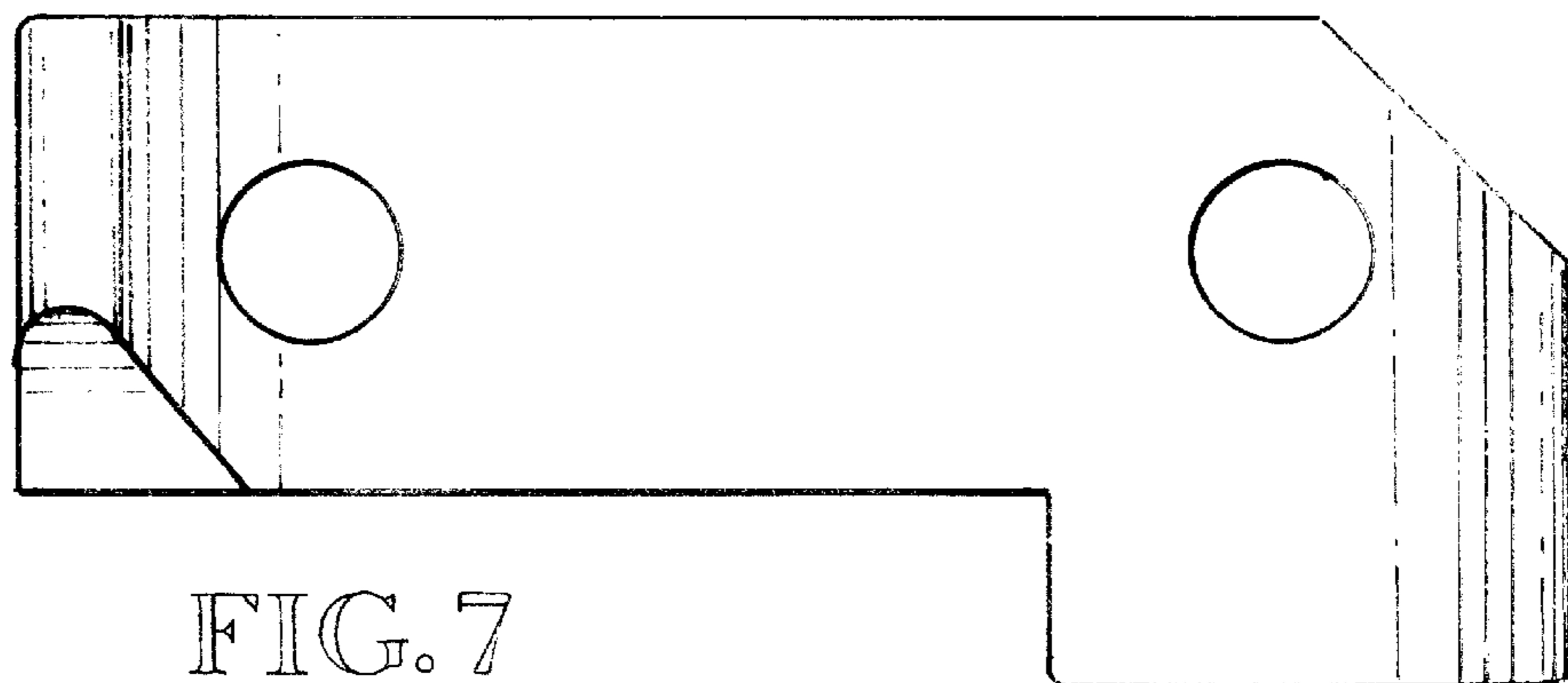


FIG. 7