



US00D480328S

(12) **United States Design Patent**
Miller

(10) **Patent No.:** **US D480,328 S**

(45) **Date of Patent:** **** Oct. 7, 2003**

(54) **ONE PIECE THROTTLE BLOCK FOR SNOWMOBILES**

(76) **Inventor:** **James R. Miller**, 529 S. Lavina Ave., Sand Point, ID (US) 83864

(**) **Term:** **14 Years**

(21) **Appl. No.:** **29/167,717**

(22) **Filed:** **Sep. 20, 2002**

(51) **LOC (7) Cl.** **12-14**

(52) **U.S. Cl.** **D12/7; D12/174**

(58) **Field of Search** **D12/7, 114, 174, D12/177, 179; 180/190, 335; 74/502.2, 502.4, 502.6**

(56) **References Cited**

U.S. PATENT DOCUMENTS

4,213,513	A	*	7/1980	Beck	180/272
D283,886	S	*	5/1986	Trapp	D12/179
D370,649	S	*	6/1996	Chen	D12/179
D454,819	S	*	3/2002	Nakazawa	D12/179
6,412,583	B1	*	7/2002	Caple	180/190

6,443,027	B1	*	9/2002	Cheever et al.	74/502.2
D468,665	S	*	1/2003	Miller	D12/7
D468,666	S	*	1/2003	Miller	D12/7
D469,385	S	*	1/2003	Miller	D12/7

* cited by examiner

Primary Examiner—Nelson C. Holtje
(74) *Attorney, Agent, or Firm*—Jensen & Puntigam,P.S.

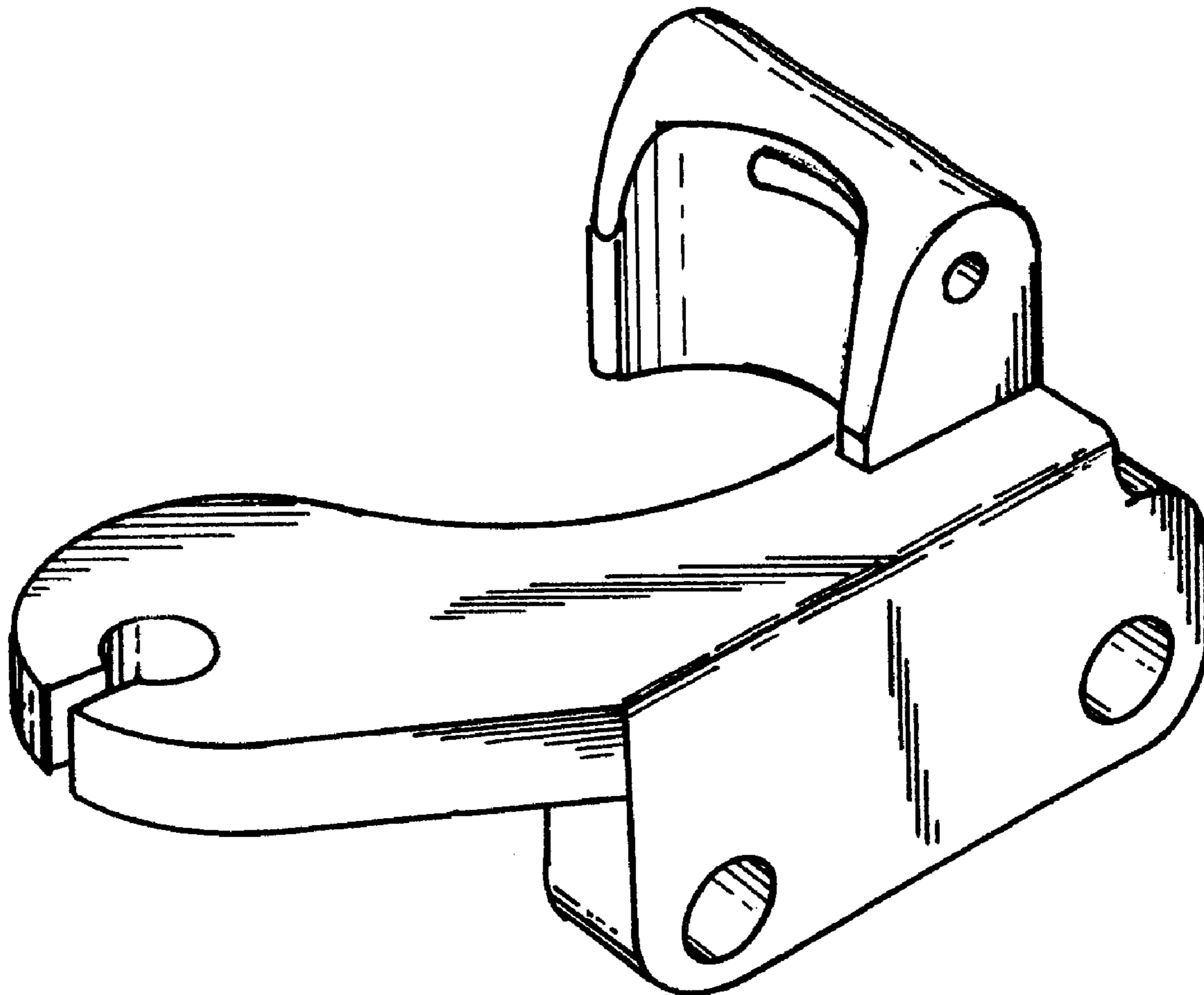
(57) **CLAIM**

The ornamental design for a one piece throttle block for snowmobiles, as shown and described.

DESCRIPTION

FIG. 1 is an isometric view of a one piece throttle block for snowmobiles, showing my new design;
FIG. 2 is a front elevational view thereof;
FIG. 3 is a right side elevational view thereof;
FIG. 4 is a rear elevational view thereof;
FIG. 5 is a left side elevational view thereof;
FIG. 6 is a top plan view thereof; and,
FIG. 7 is a bottom plan view thereof.

1 Claim, 2 Drawing Sheets



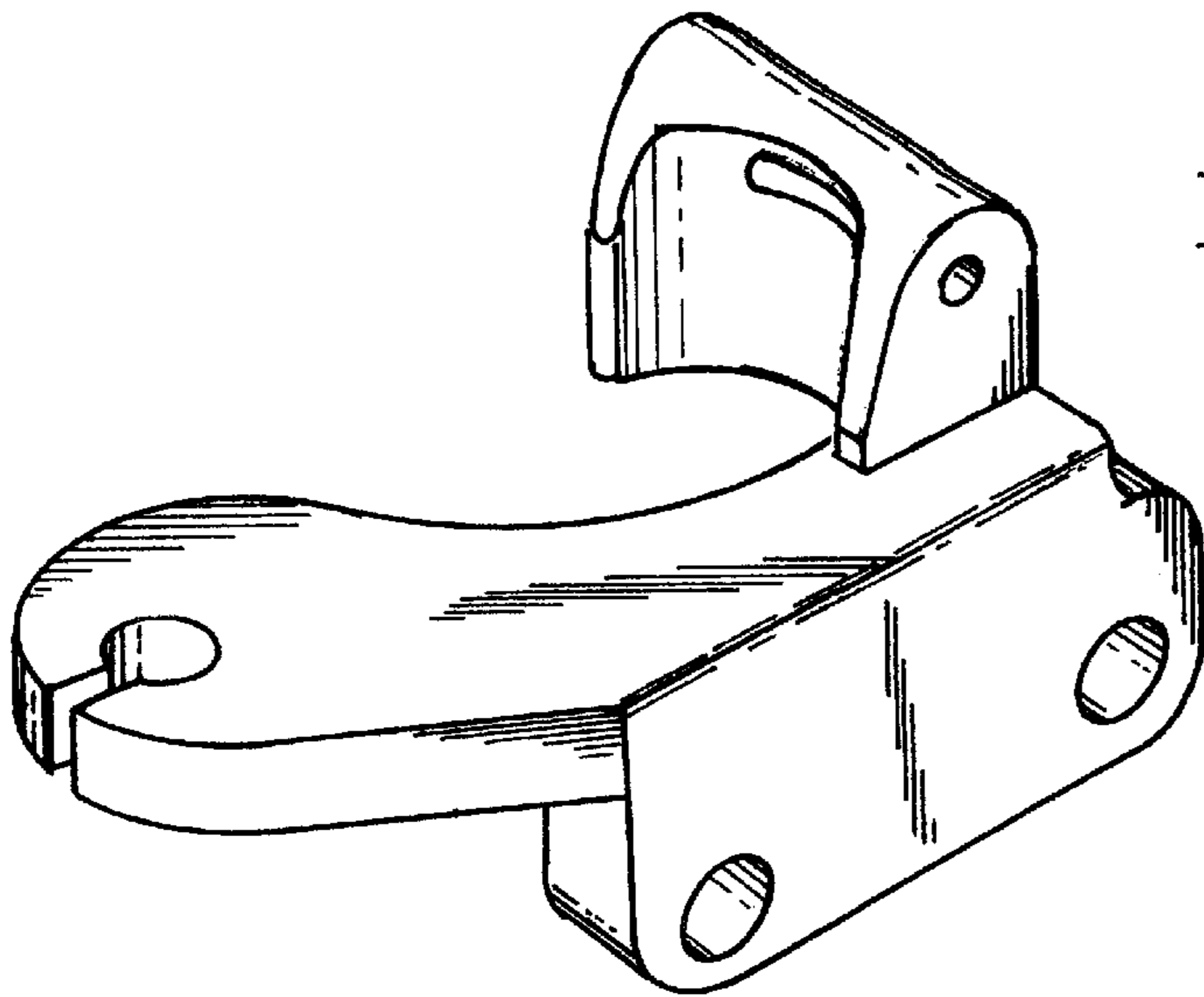


FIG. 1

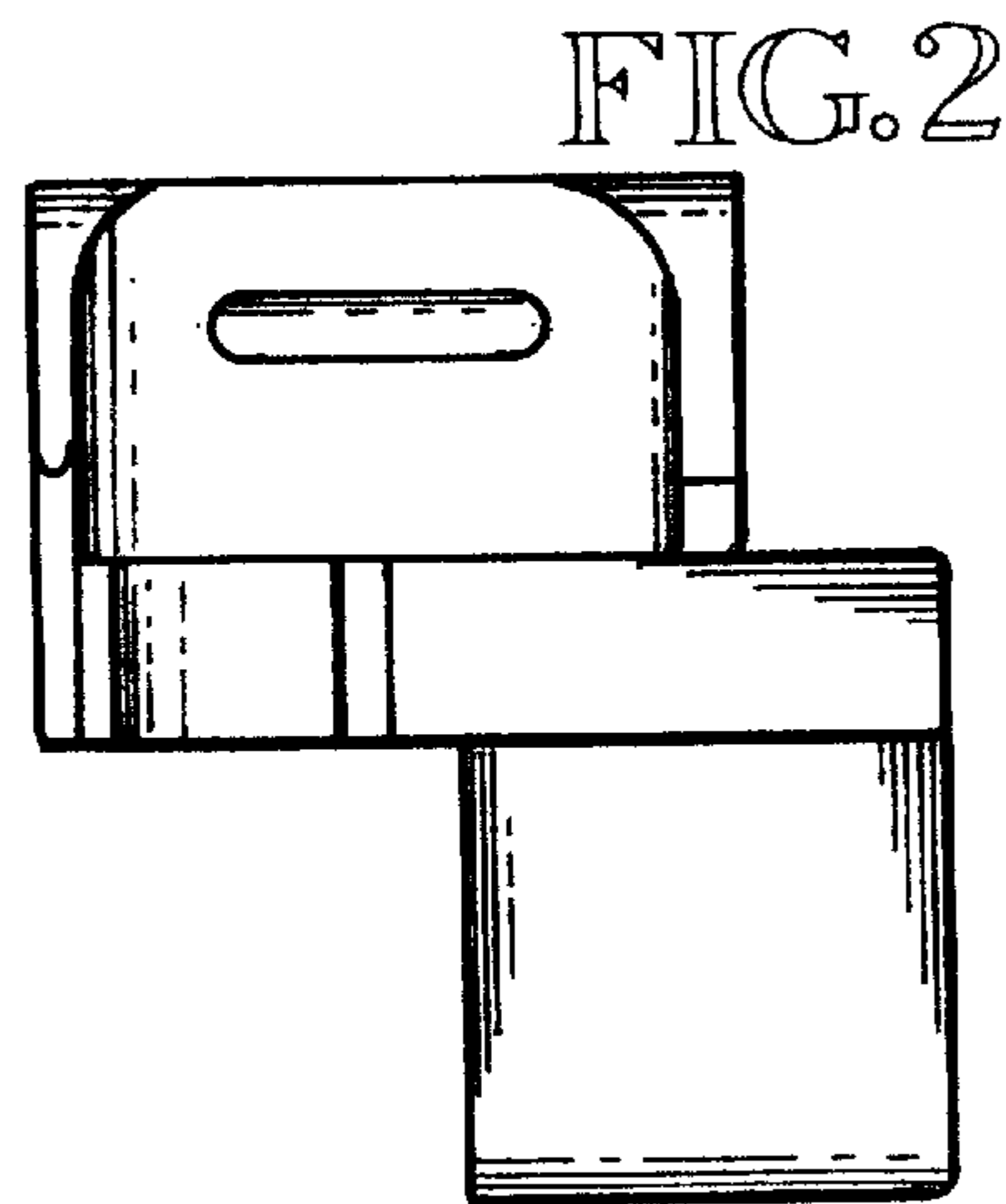


FIG. 2

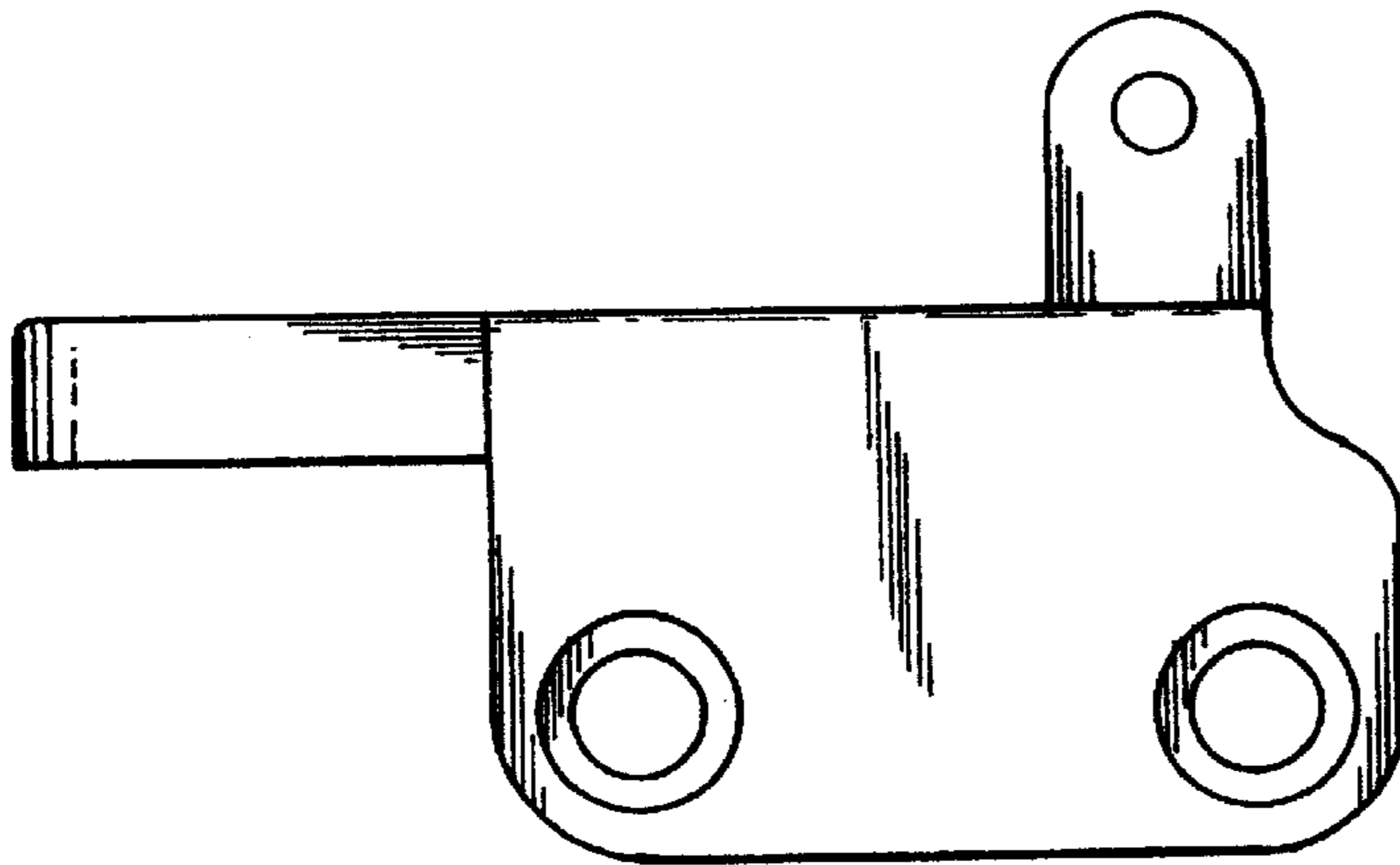


FIG. 3

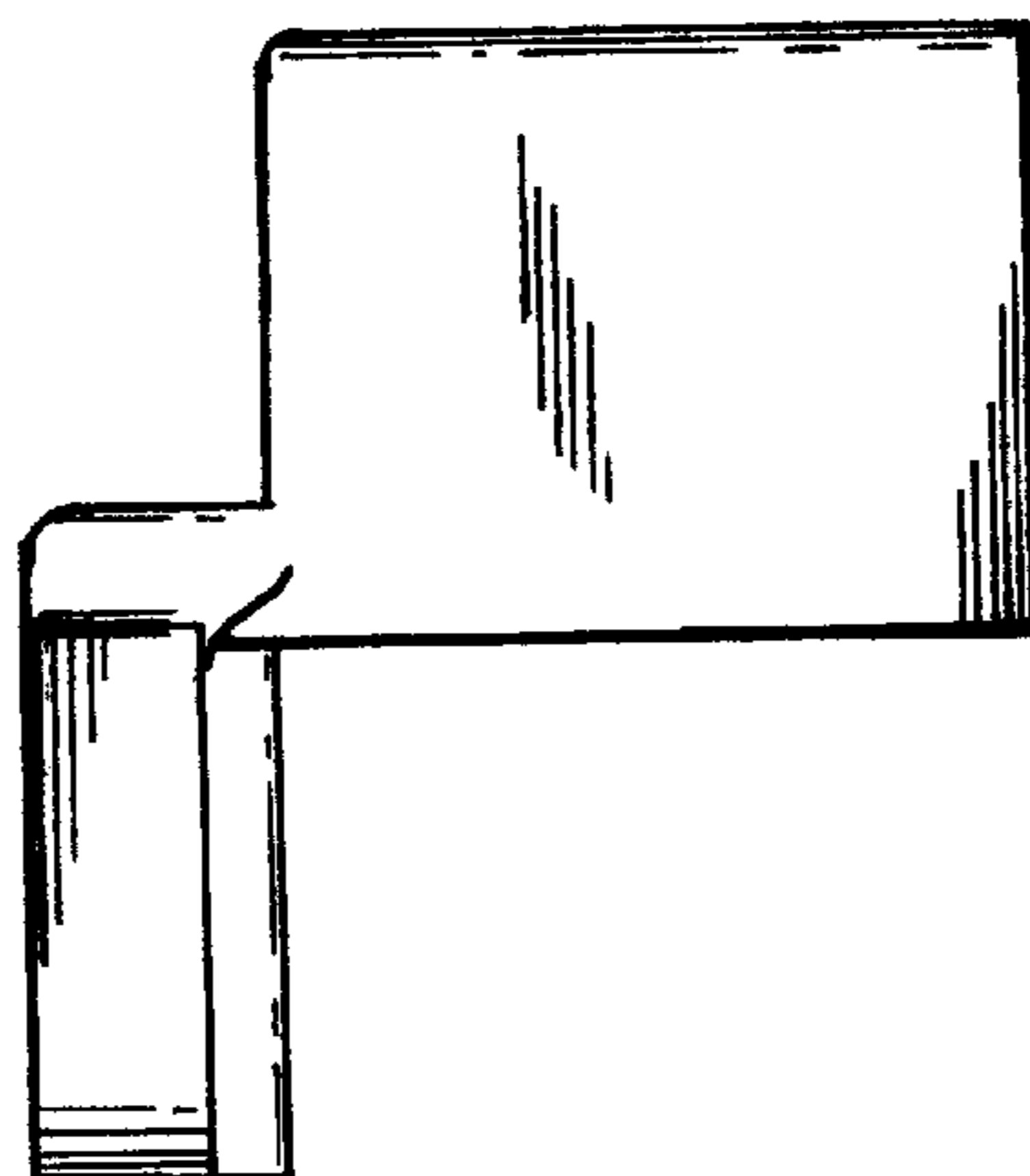


FIG. 4

FIG. 5

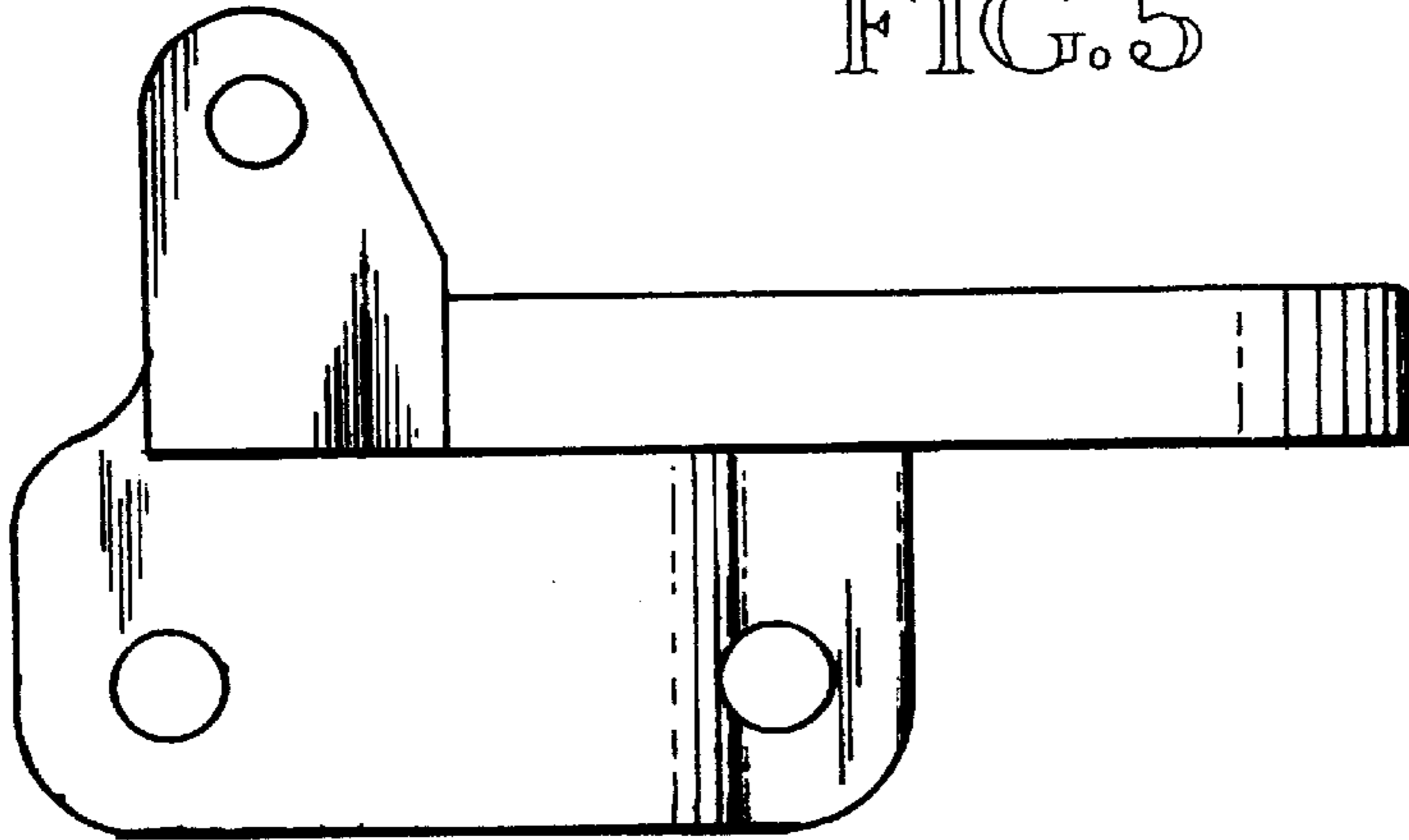


FIG. 6

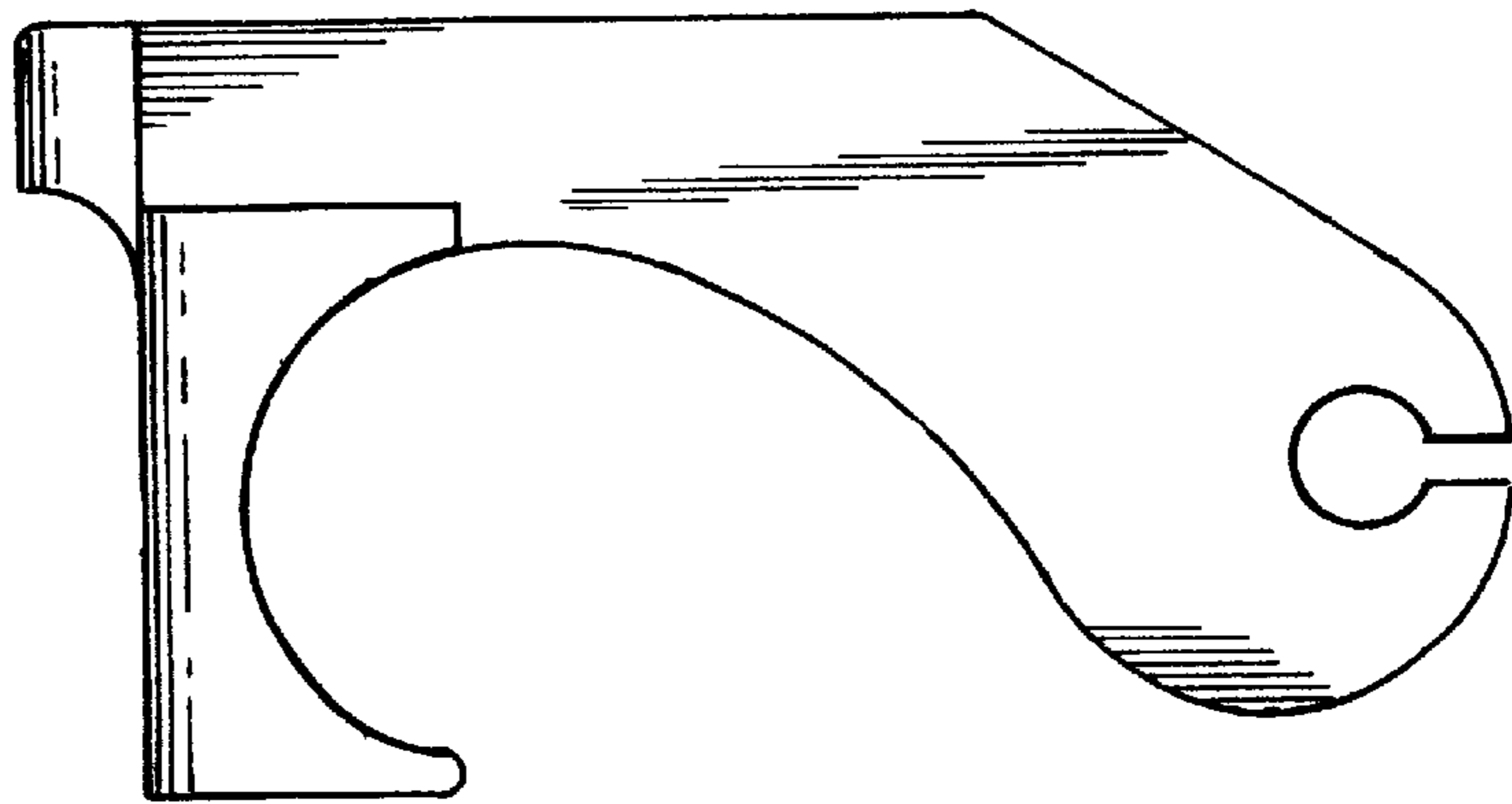


FIG. 7

