



US00D480327S

(12) **United States Design Patent**
Hollinger

(10) **Patent No.:** **US D480,327 S**

(45) **Date of Patent:** **** Oct. 7, 2003**

(54) **BUCKLE**

(75) Inventor: **Fred Hollinger**, Kings Park, NY (US)

(73) Assignee: **E & B Giftware, LLC**, Yonkers, NY (US)

(**) Term: **14 Years**

(21) Appl. No.: **29/175,336**

(22) Filed: **Feb. 3, 2003**

(51) **LOC (7) Cl.** **02-07**

(52) **U.S. Cl.** **D11/218**

(58) **Field of Search** D11/200, 206, D11/216, 218, 220, 231, 234, 236, 86-87, 94; 24/163 R, 170, 68 R, 225, 191, 63 R, 31 R, 615, 169, 636; D2/405, 414, 418

(56) **References Cited**

U.S. PATENT DOCUMENTS

- D275,716 S * 10/1984 Kanzaka D11/218
- D340,122 S * 10/1993 Wakabayashi D11/218
- D469,383 S * 1/2003 Young D11/200

OTHER PUBLICATIONS

www.brani.com website photo and description of Brani Belt (undated).

www.zelco.com website photo and description of Ratch It luggage strap (undated).

* cited by examiner

Primary Examiner—Ralf Seifert

(74) *Attorney, Agent, or Firm*—Connolly Bove Lodge & Hutz LLP

(57) **CLAIM**

The ornamental design for a buckle, as shown and described.

DESCRIPTION

FIG. 1 is a right side elevational view of a buckle showing my new design, wherein the left side elevational view is identical;

FIG. 2 is a front elevational view of the buckle of FIG. 1;

FIG. 3 is a rear elevational view of the buckle of FIG. 1;

FIG. 4 is a top plan view of the buckle of FIG. 1;

FIG. 5 is a bottom plan view of the buckle of FIG. 1;

FIG. 6 is a right side elevational view of the buckle of FIG. 1 wherein a cover portion has been moved to the left (compare with FIG. 1) to expose a release button or latch; and,

FIG. 7 is a top plan view of the buckle of FIG. 6 in which the buckle of my new design is engaged with a luggage strap shown in broken outline to indicate an environment in which the buckle may be used. The luggage strap is not claimed as part of my design.

1 Claim, 2 Drawing Sheets

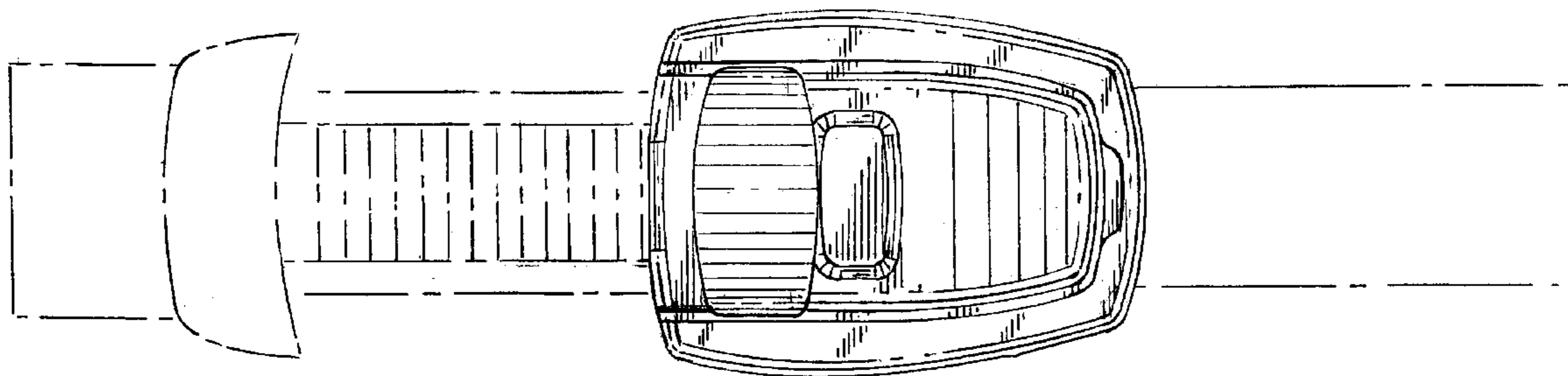


Fig. 4.

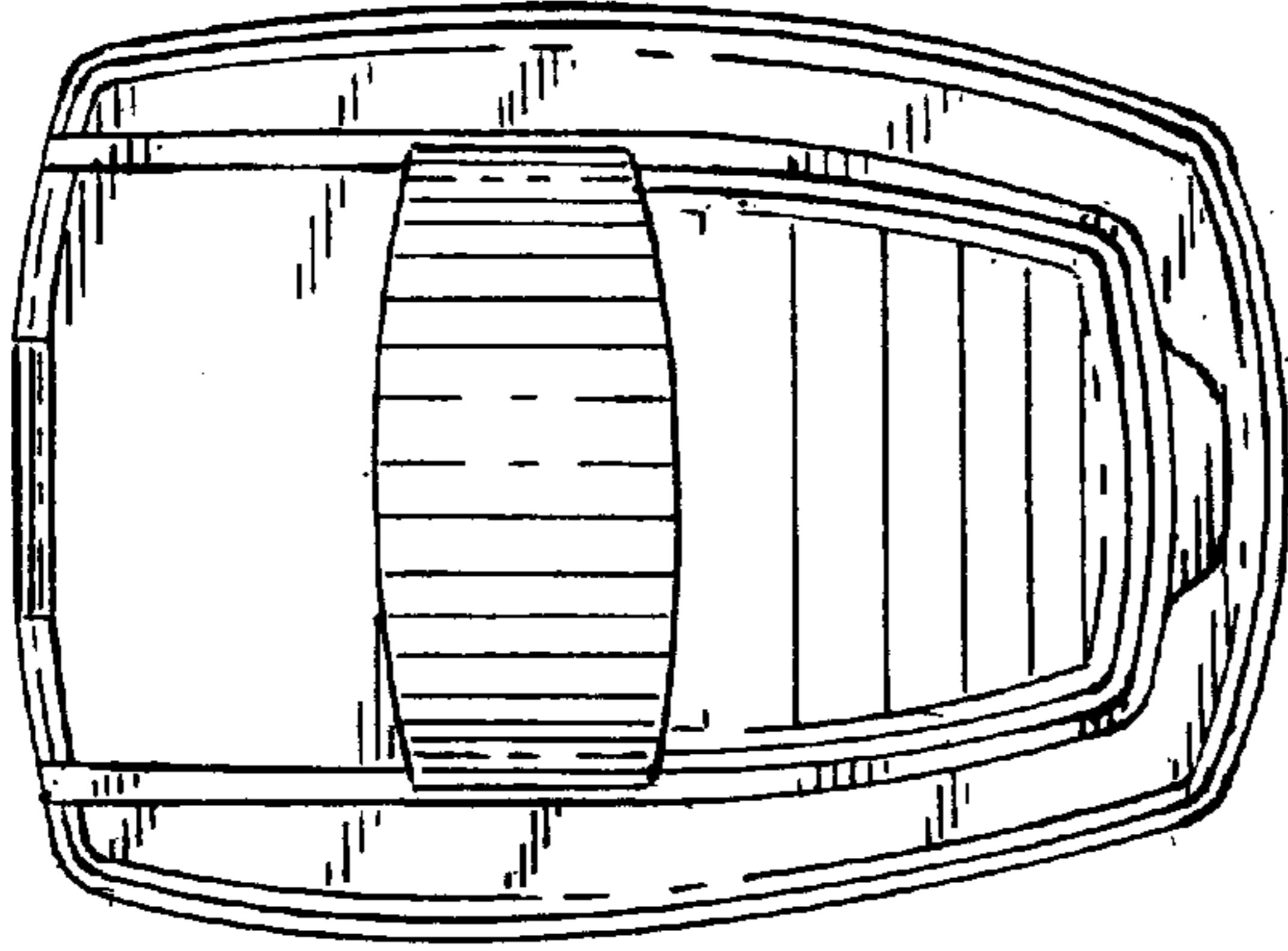


Fig. 1.

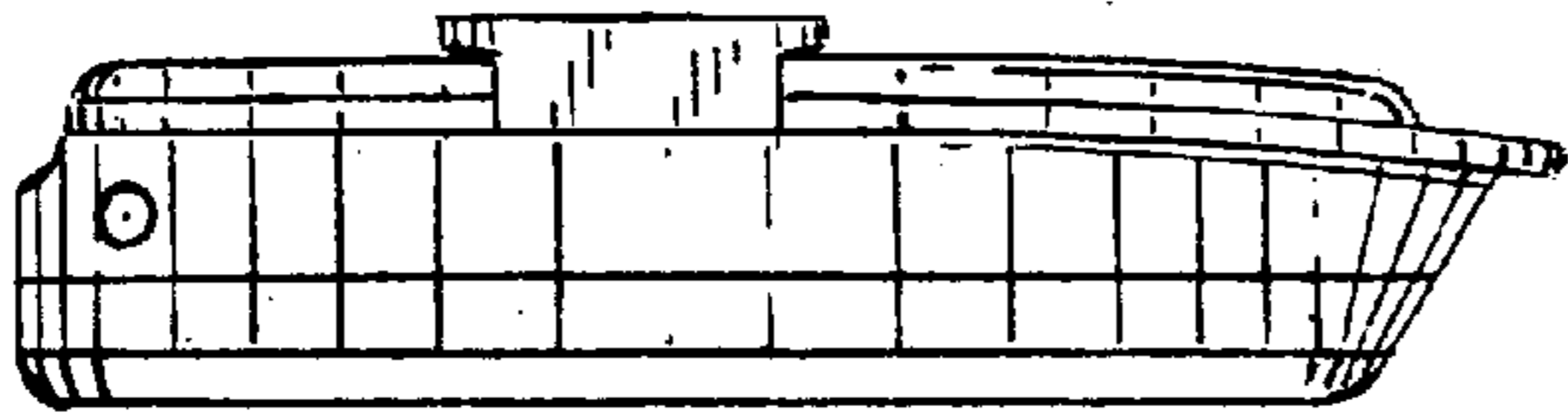


Fig. 2.

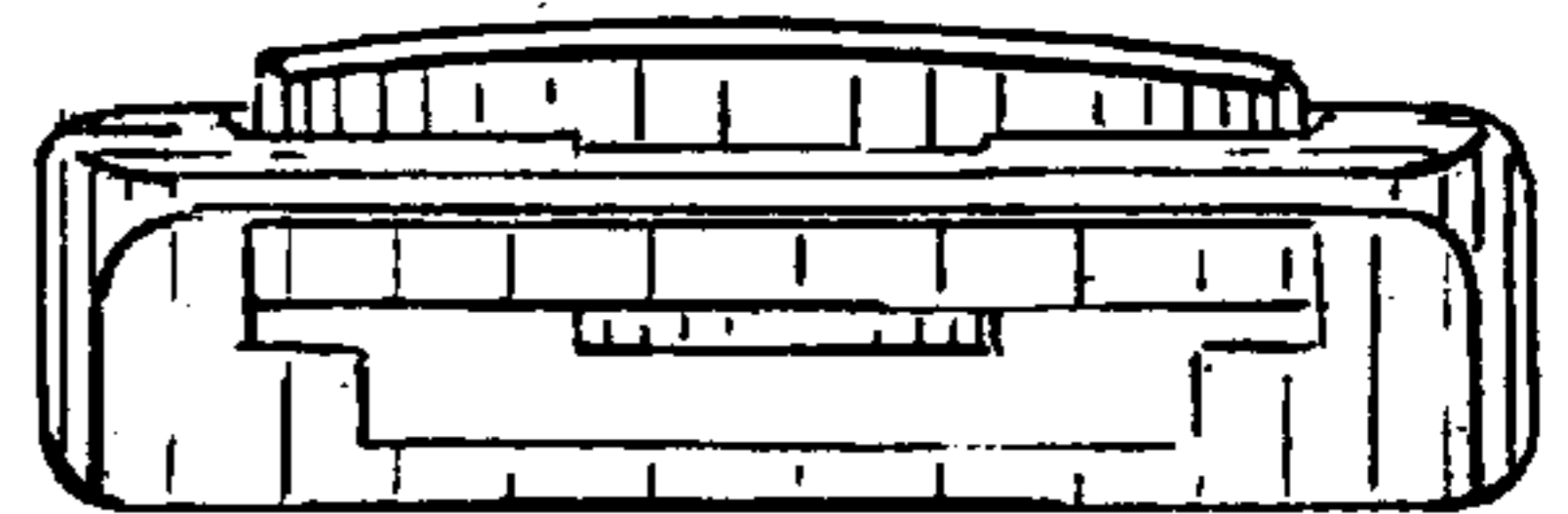


Fig. 5.

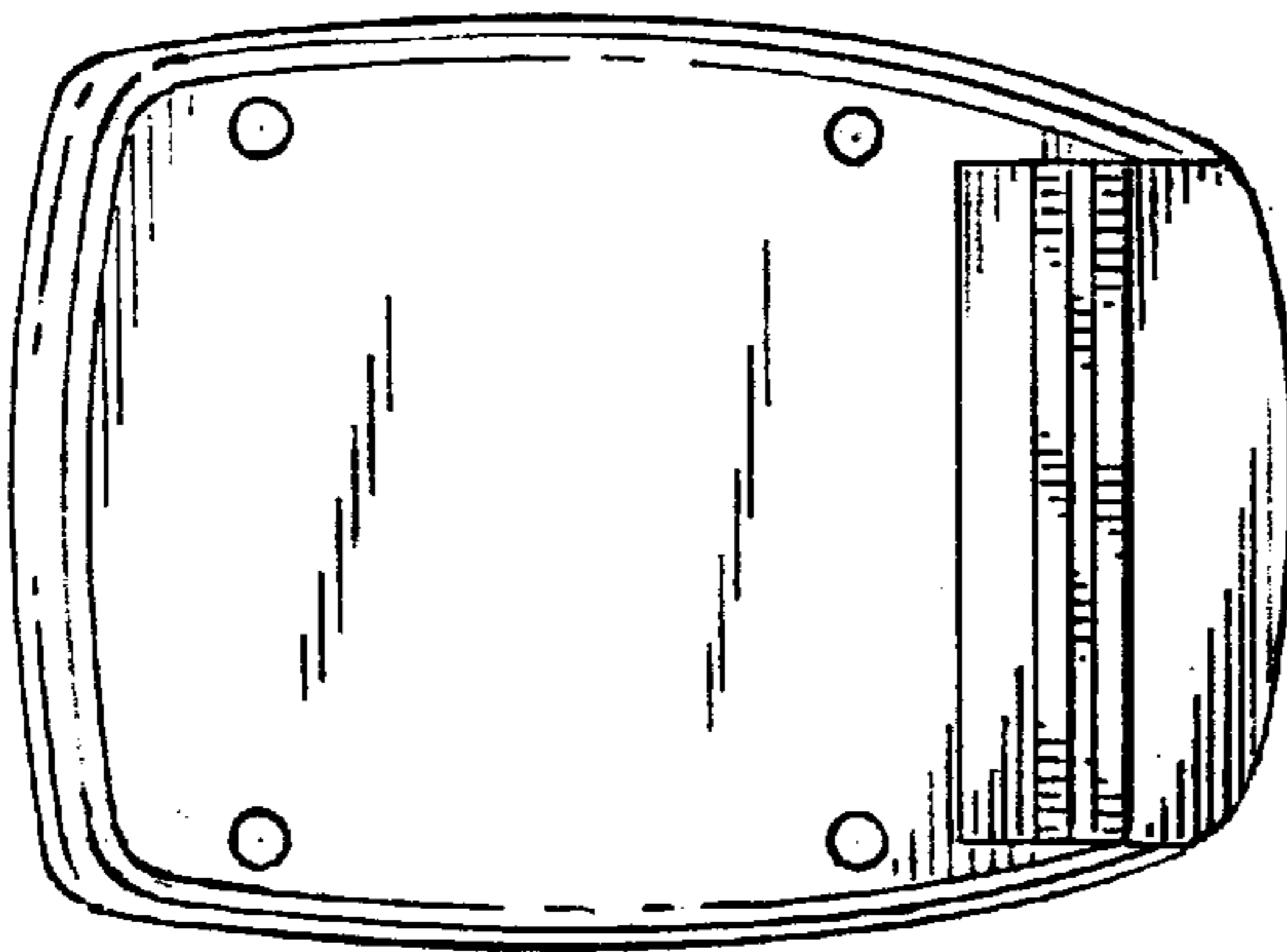


Fig. 3.

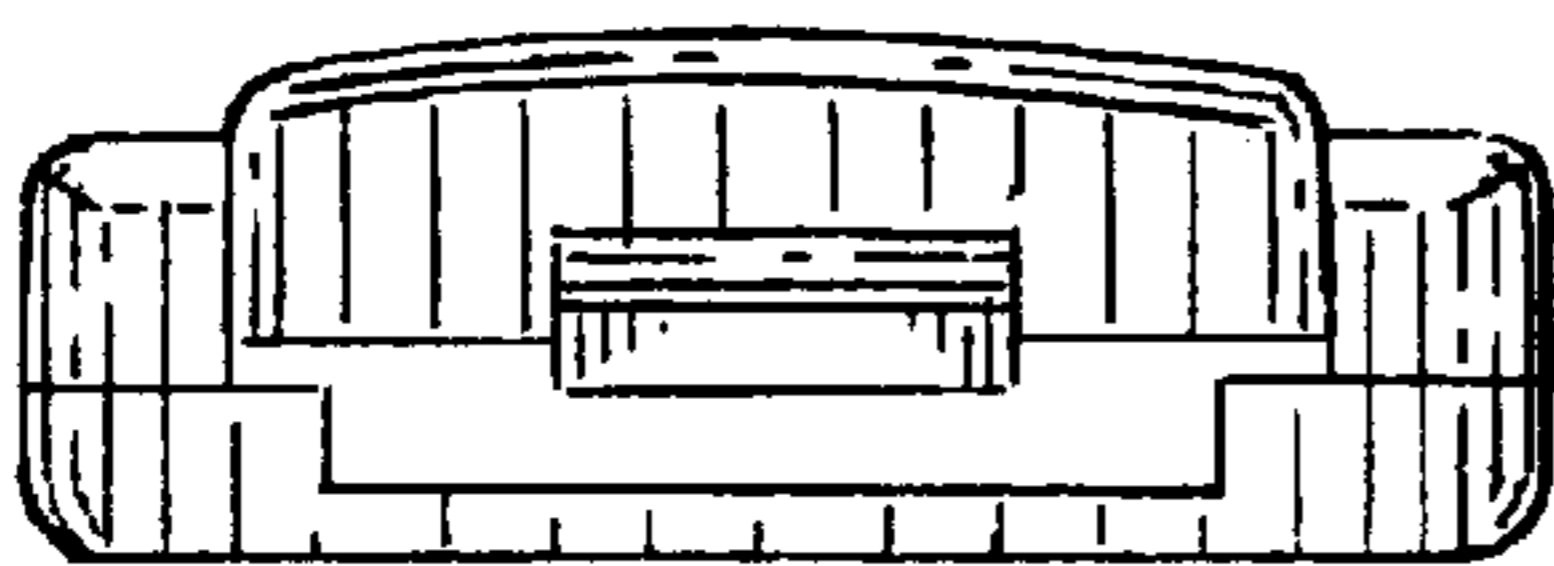


Fig. 7.

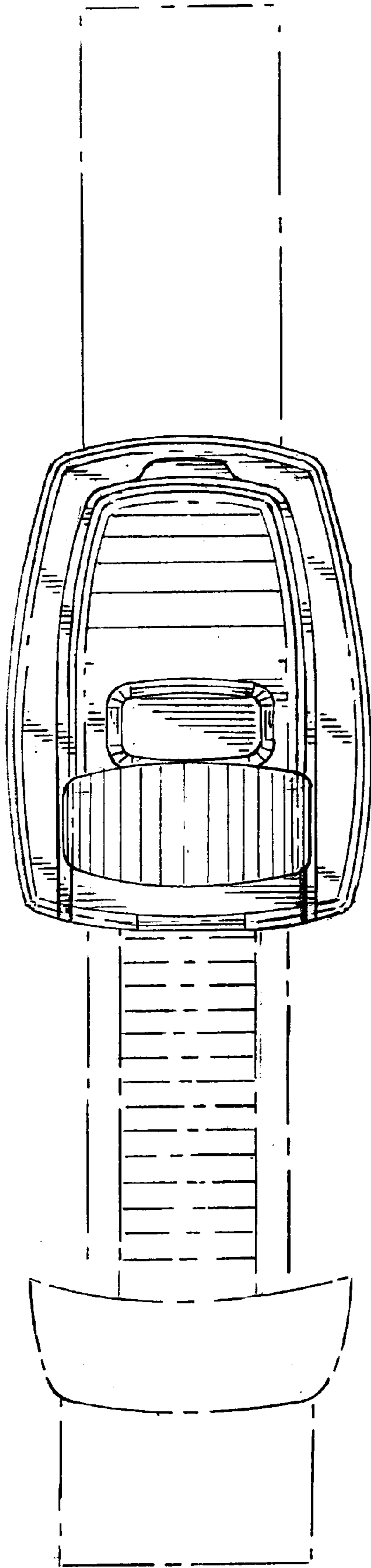


Fig. 6.

