



US00D480322S

(12) **United States Design Patent**  
**Manning**

(10) **Patent No.:** **US D480,322 S**

(45) **Date of Patent:** **\*\* \*Oct. 7, 2003**

(54) **JEWELRY**

(75) **Inventor:** **Tom Manning**, Powell, OH (US)

(73) **Assignee:** **Jovian Designs, Inc.**, Las Vegas, NV (US)

(\*) **Notice:** This patent is subject to a terminal disclaimer.

(\*\*) **Term:** **14 Years**

(21) **Appl. No.:** **29/164,831**

(22) **Filed:** **Jul. 31, 2002**

(51) **LOC (7) Cl.** ..... **11-01**

(52) **U.S. Cl.** ..... **D11/83; D11/82**

(58) **Field of Search** ..... D11/1, 2, 7, 43-45,  
D11/47-49, 56-57, 61, 65-66, 70, 79-83,  
96-97, 99-100, 103, 108-109, 111; 63/18-20,  
23

(56) **References Cited**

**U.S. PATENT DOCUMENTS**

D205,900 S \* 10/1966 Fenner et al. .... D11/53

D250,885 S \* 1/1979 Newman ..... D11/160

D383,703 S \* 9/1997 Koumi ..... D11/83

D392,207 S \* 3/1998 Koumi ..... D11/83

D395,843 S \* 7/1998 D'Ambrosio ..... D11/83

D401,528 S \* 11/1998 Genovese ..... D11/48

\* cited by examiner

*Primary Examiner*—Ralf Seifert

(74) *Attorney, Agent, or Firm*—Porter, Wright, Morris & Arthur, LLP

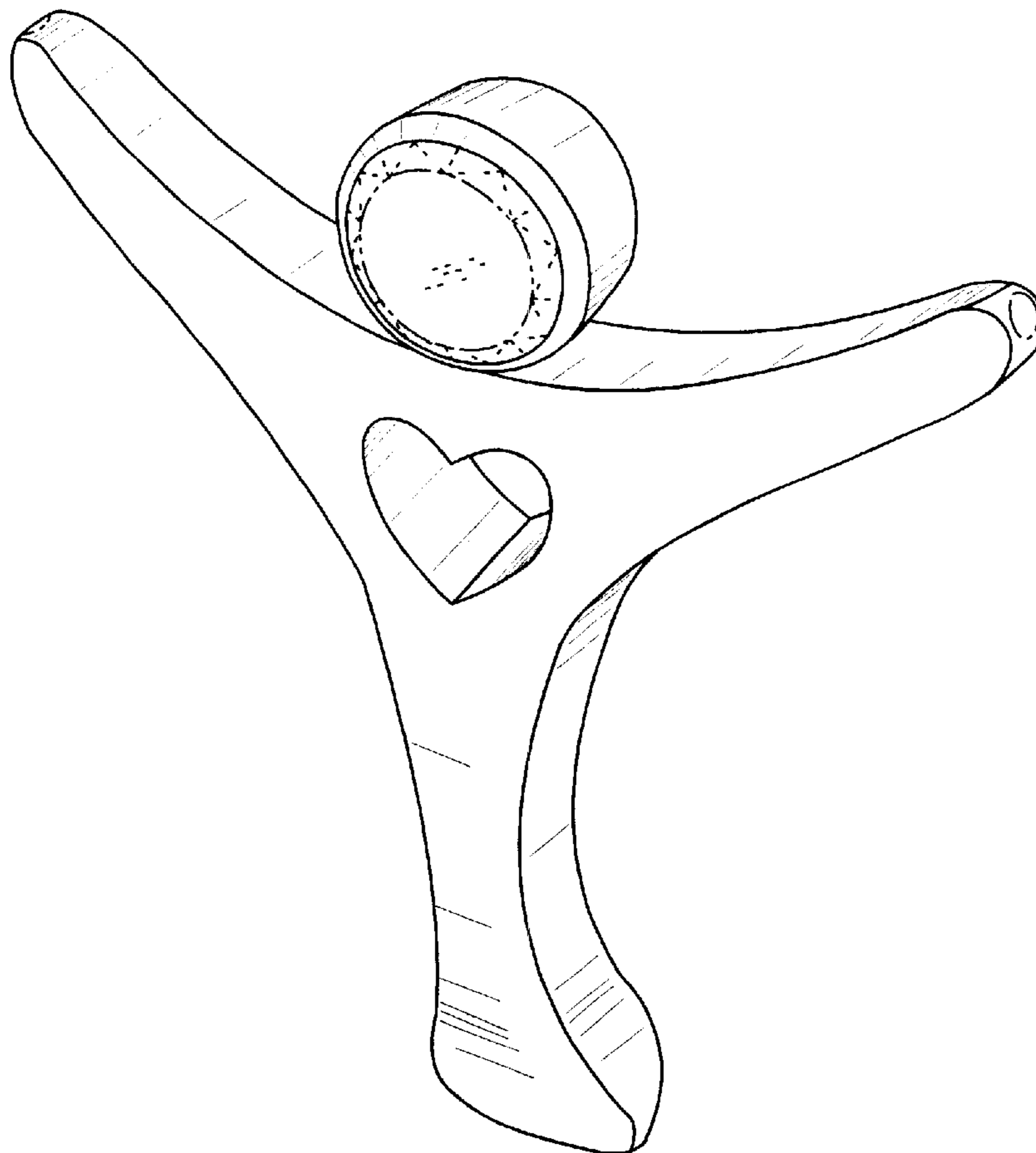
(57) **CLAIM**

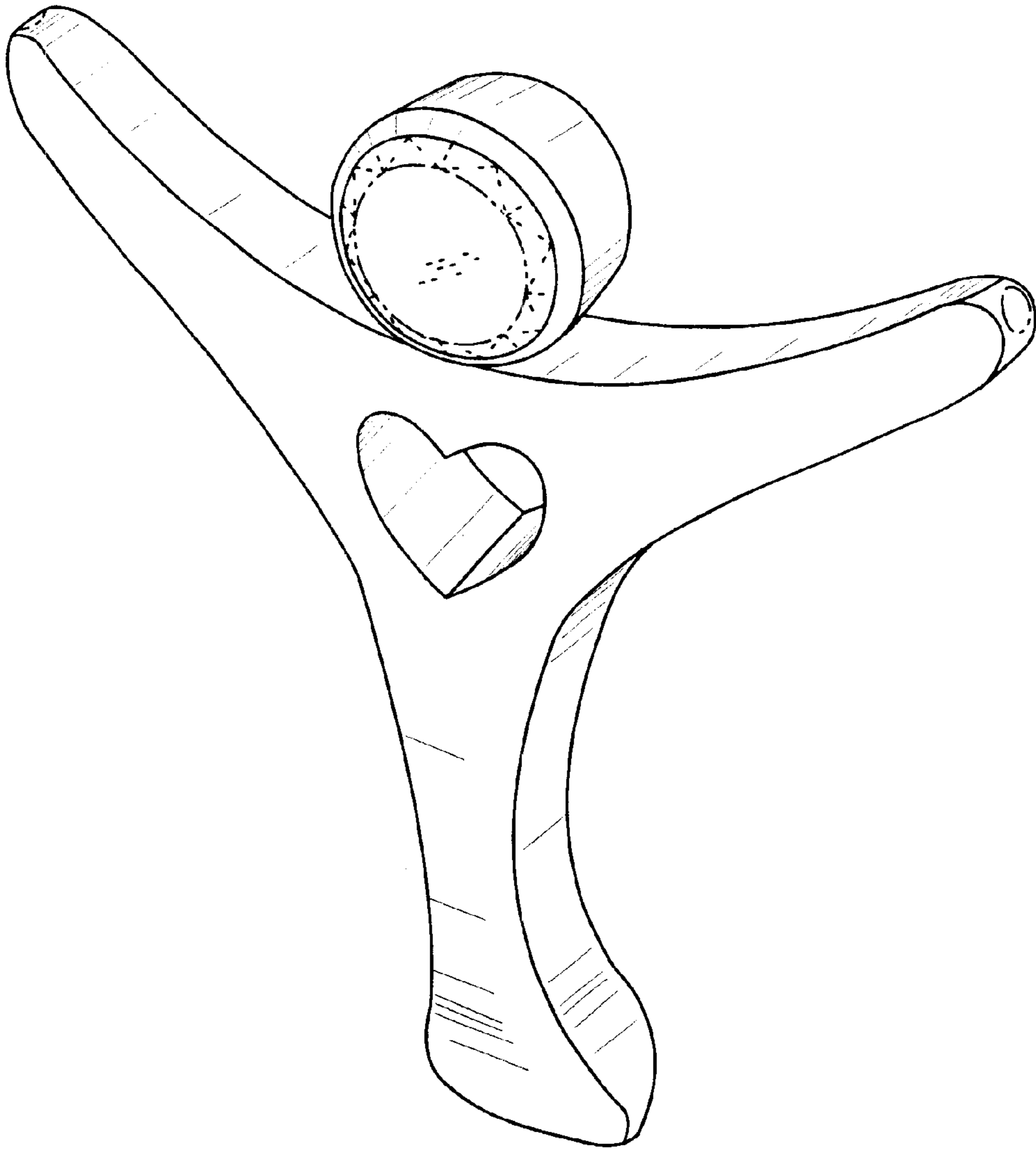
The ornamental design for jewelry, as shown and described.

**DESCRIPTION**

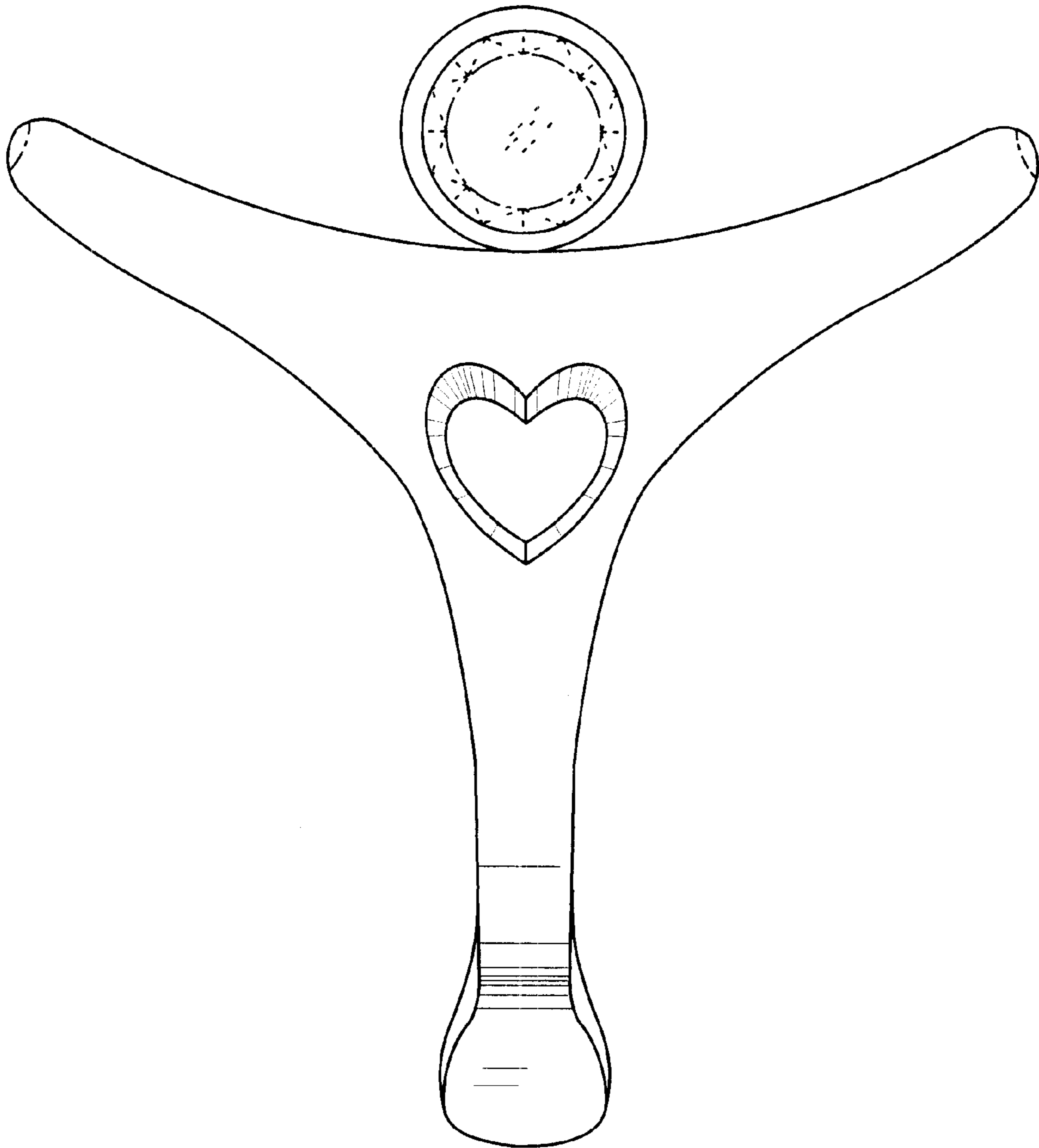
FIG. 1 is an elevational view of my jewelry.  
FIG. 2 is a front elevational view of my jewelry.  
FIG. 3 is a rear elevational view of my jewelry.  
FIG. 4 is a left side elevational view of my jewelry. The right side is a mirror image of the left side.  
FIG. 5 is a top plan view of my jewelry; and,  
FIG. 6 is a bottom plan view of my jewelry.  
The phantom lines in the figure are for illustrative purposes only and form no part of the claimed design.

**1 Claim, 5 Drawing Sheets**

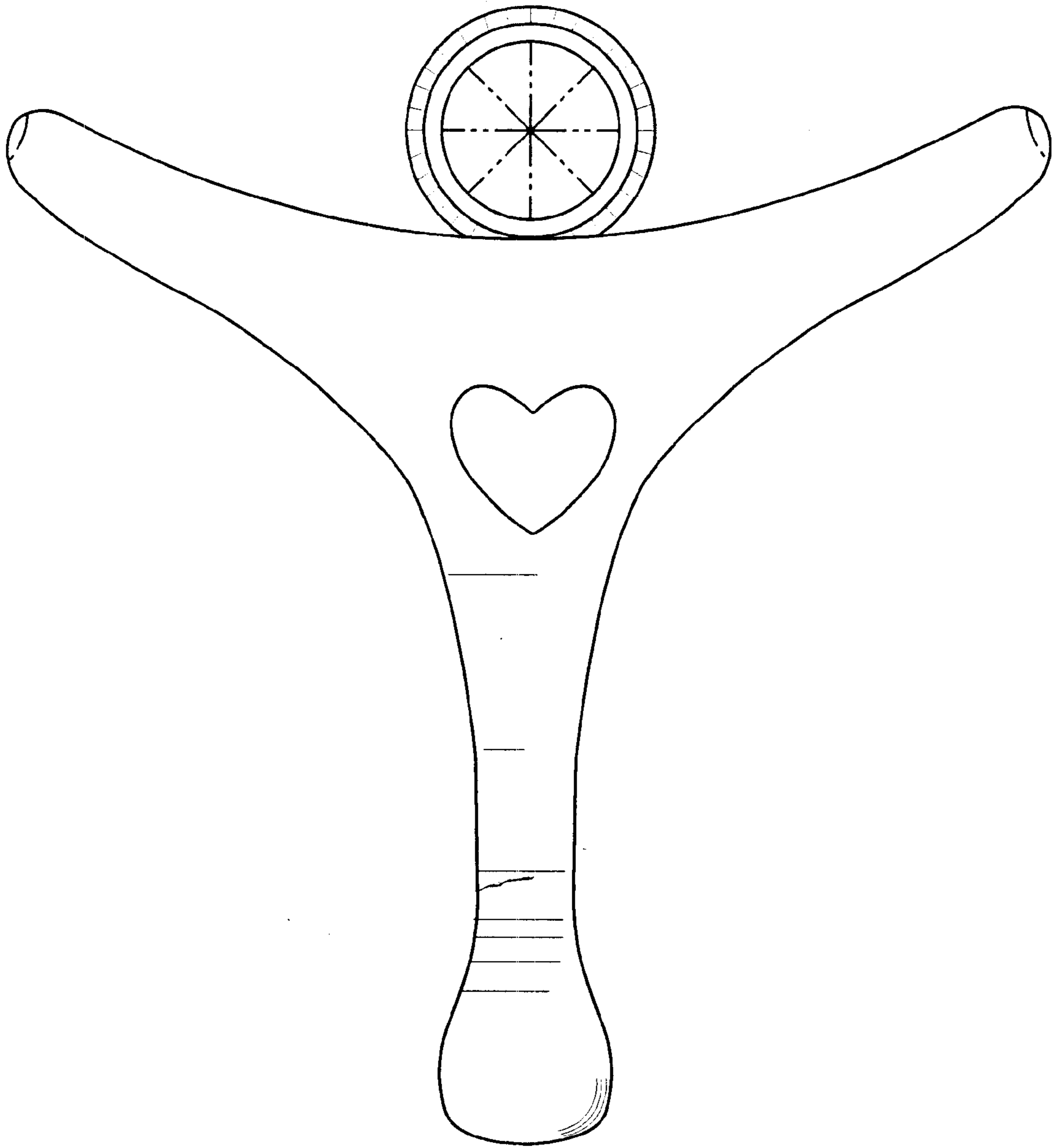




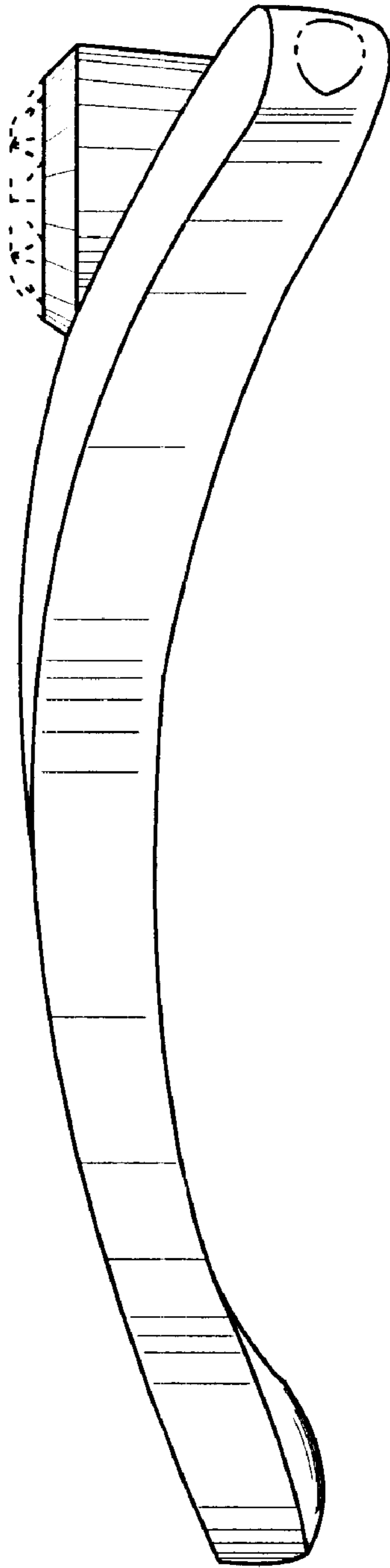
*Fig. 1*



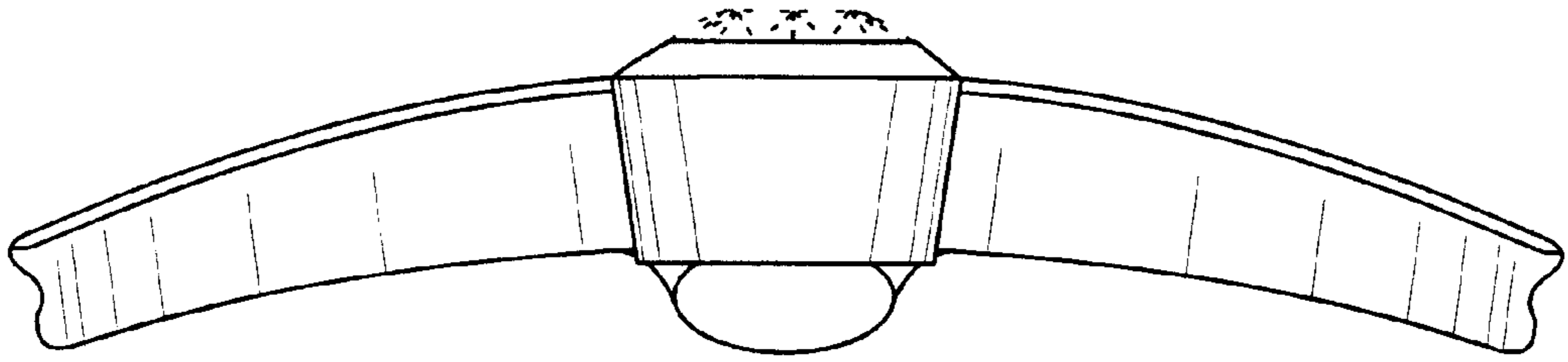
*Fig. 2*



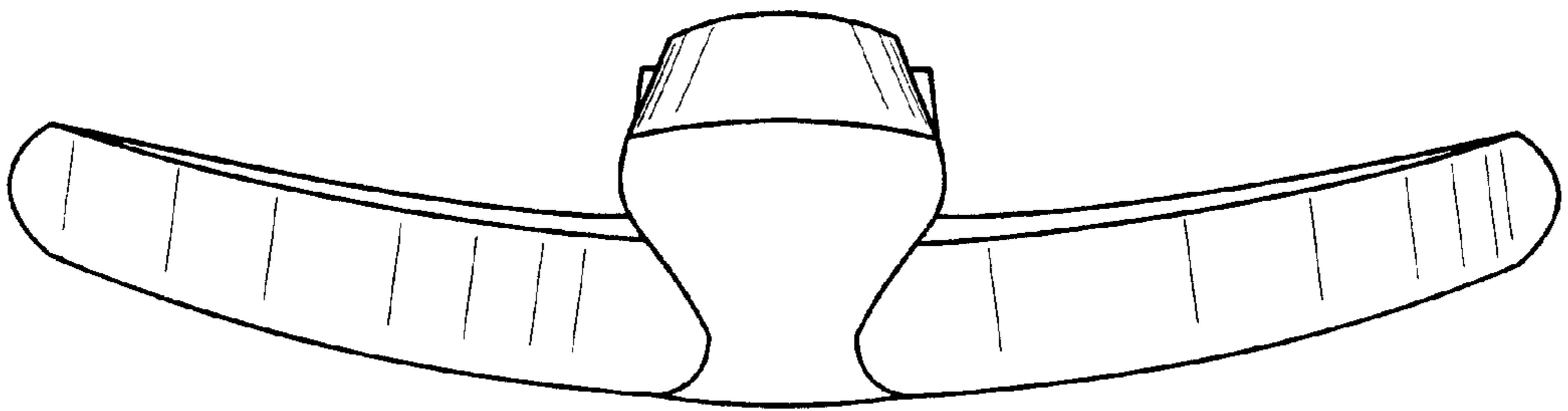
*Fig. 3*



*Fig. 4*



*Fig. 5*



*Fig. 6*