



US00D480319S

(12) **United States Design Patent**
Jan

(10) **Patent No.:** **US D480,319 S**

(45) **Date of Patent:** **** Oct. 7, 2003**

(54) **LASER EDGE**

(75) **Inventor:** **Der-Shyang Jan, Taipei (TW)**

(73) **Assignee:** **Quarton Inc, Taipei (TW)**

(**) **Term:** **14 Years**

(21) **Appl. No.:** **29/154,692**

(22) **Filed:** **Jan. 30, 2002**

(51) **LOC (7) Cl. 10-04**

(52) **U.S. Cl. D10/69**

(58) **Field of Search D10/69; 33/369-390,
33/347, 348, 348.2**

(56) **References Cited**

U.S. PATENT DOCUMENTS

D402,218 S * 12/1998 Kennison D10/69

* cited by examiner

Primary Examiner—Antoine Duval Davis

(74) *Attorney, Agent, or Firm*—Troxell Law Office PLLC

(57) **CLAIM**

The ornamental design for “laser edge”, as shown and described.

DESCRIPTION

FIG. 1 is a perspective view of “laser edge” showing my design;

FIG. 2 is a front plan view thereof;

FIG. 3 is a rear plan view thereof;

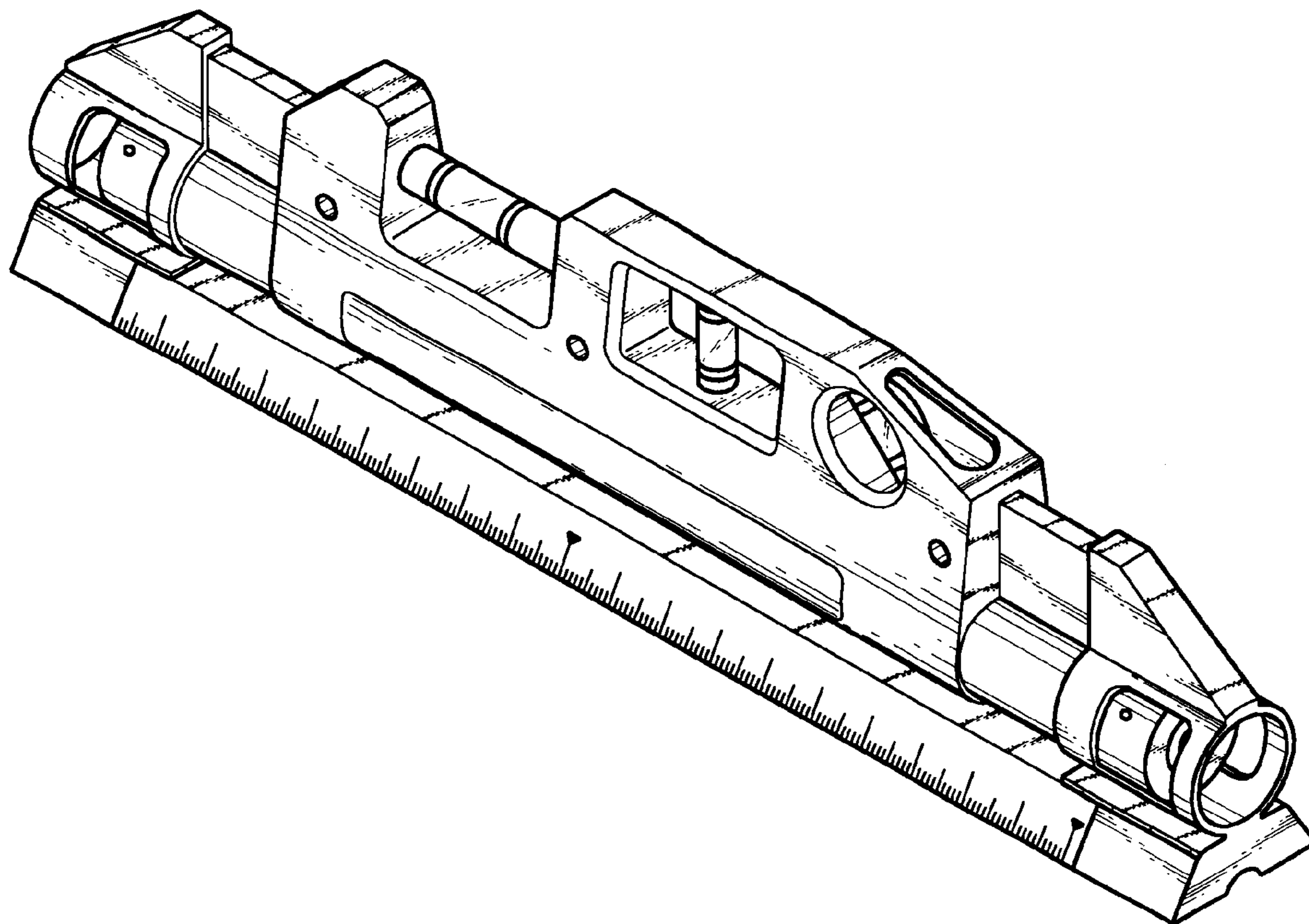
FIG. 4 is a left side elevational view thereof;

FIG. 5 is a right side elevational view thereof;

FIG. 6 is a top elevational view thereof; and,

FIG. 7 is a bottom elevational view thereof.

1 Claim, 4 Drawing Sheets



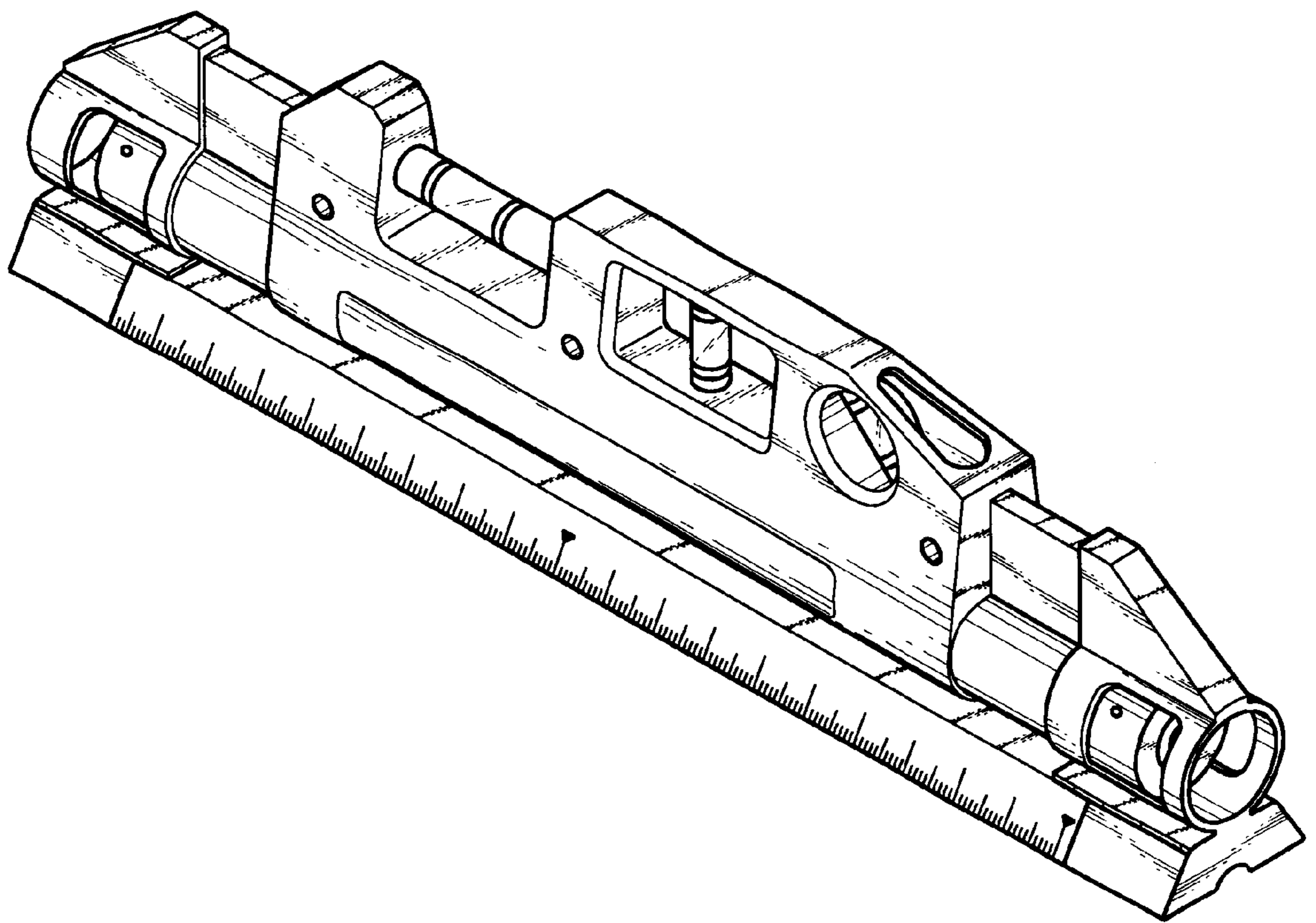


FIG. 1

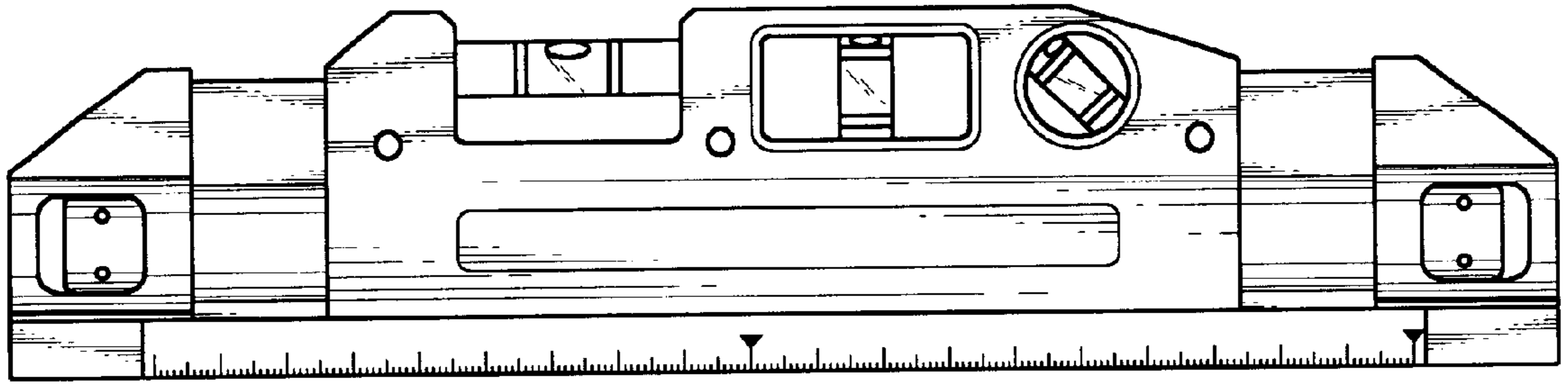


FIG. 2

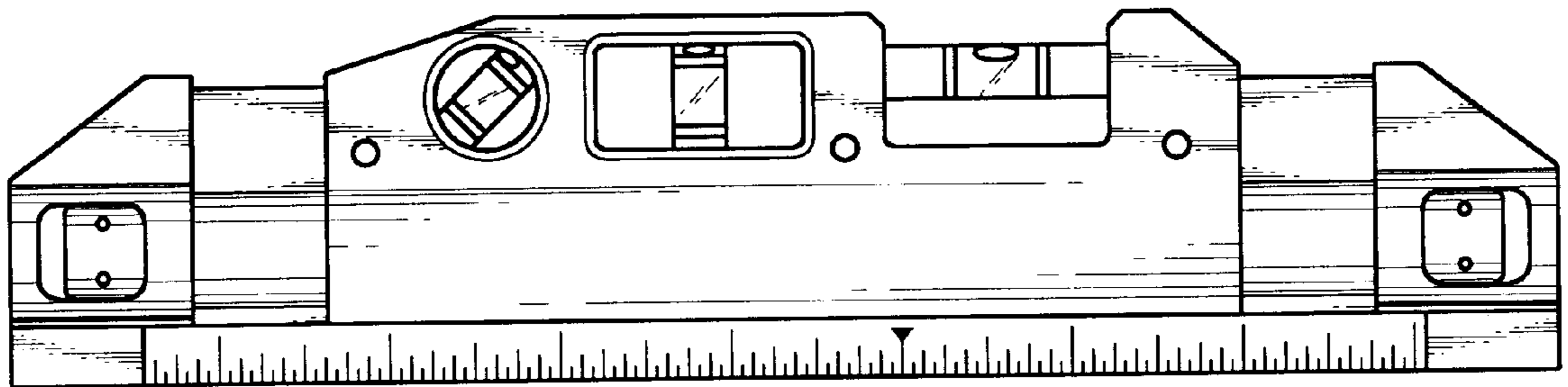


FIG. 3

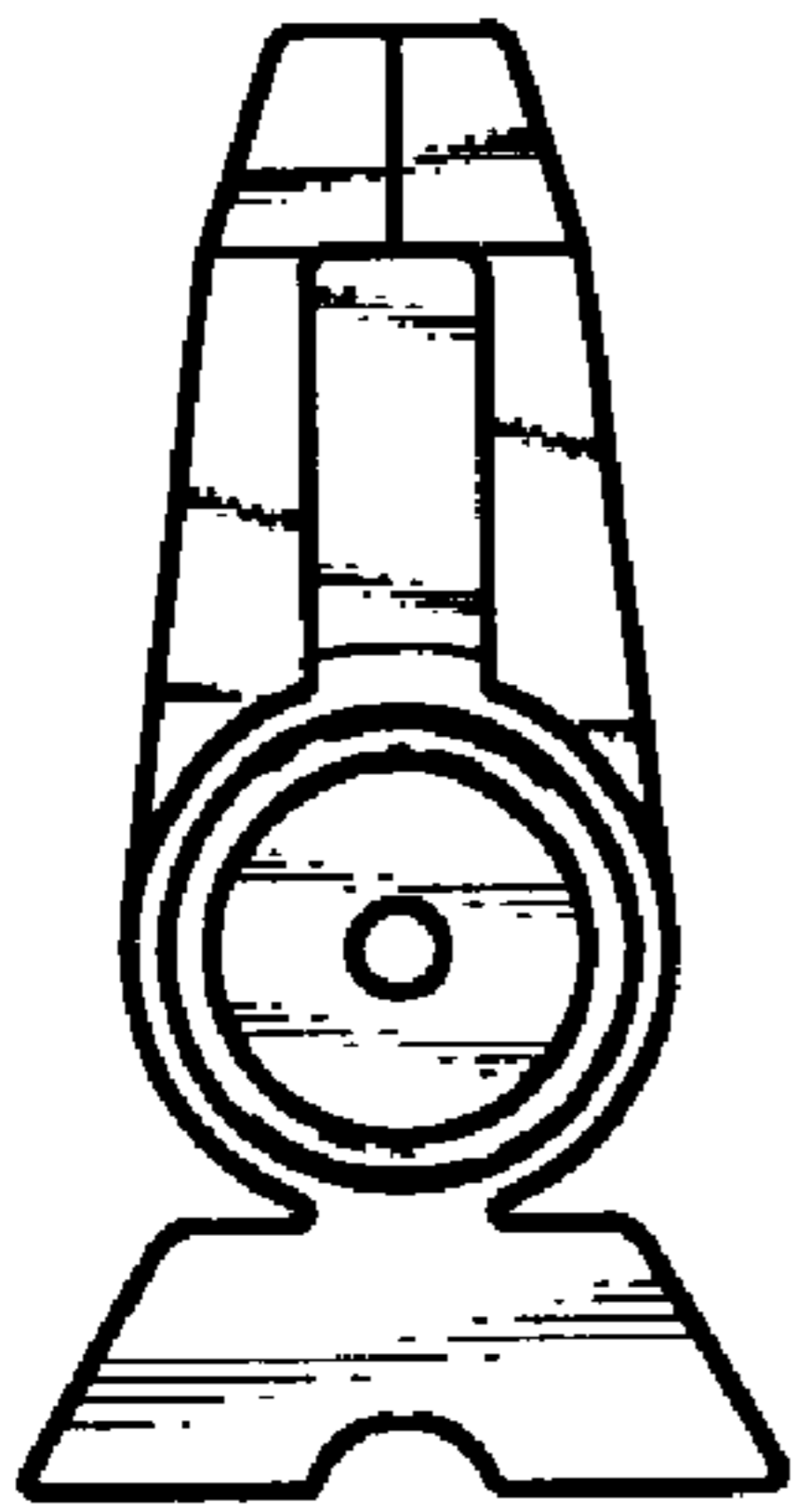


FIG. 4

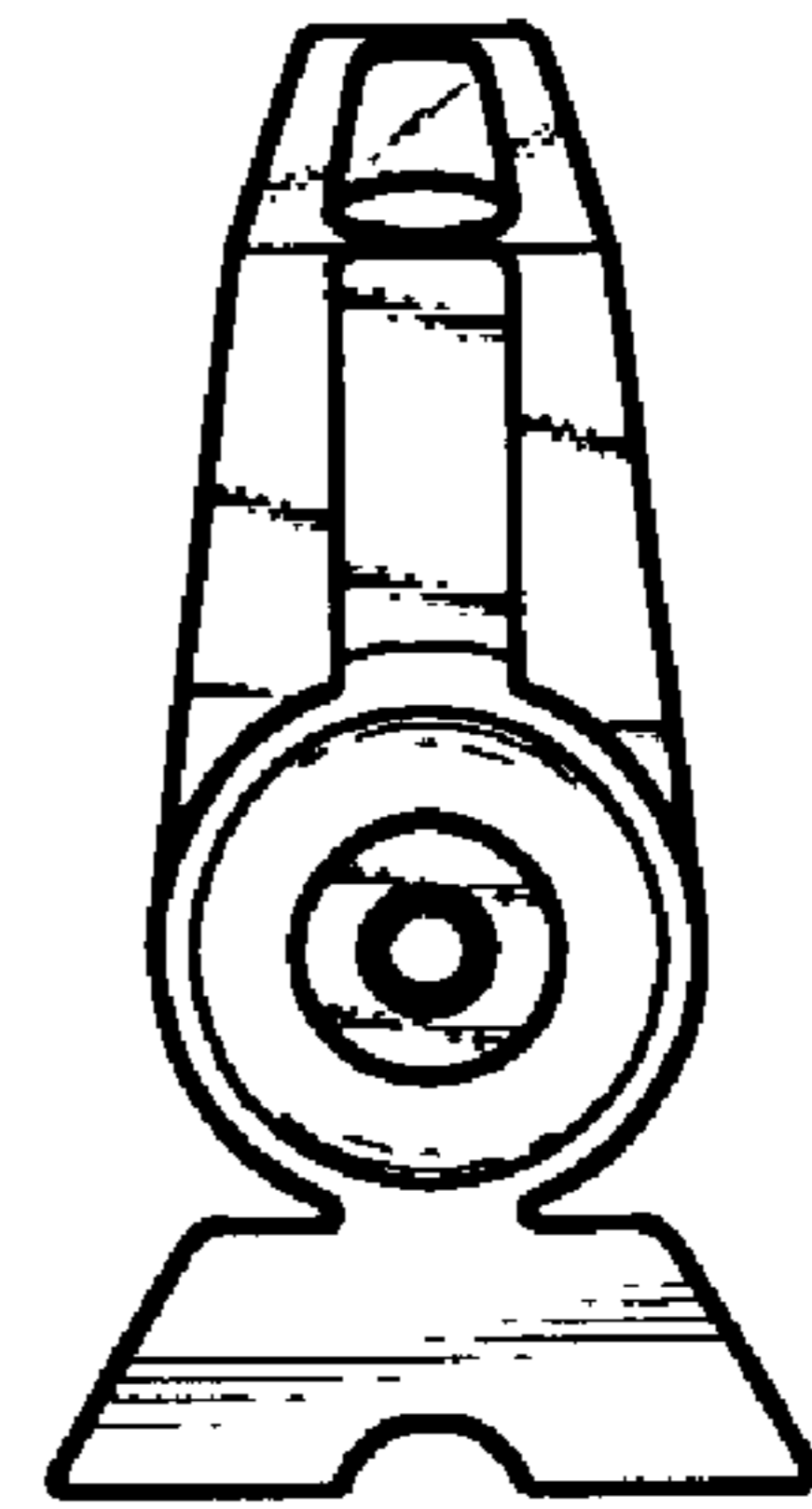


FIG. 5

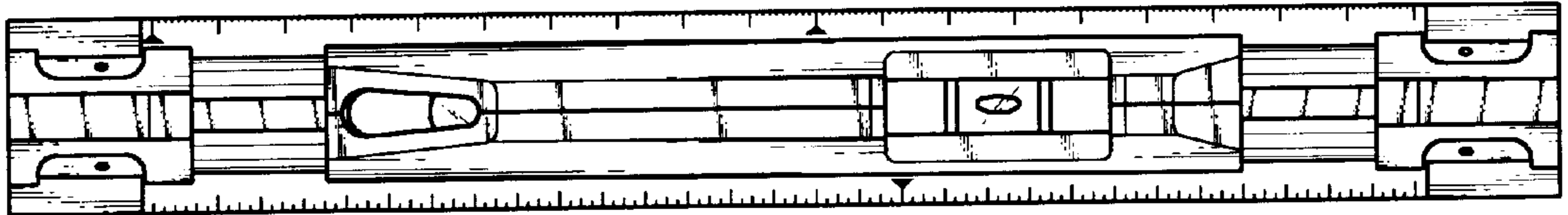


FIG. 6

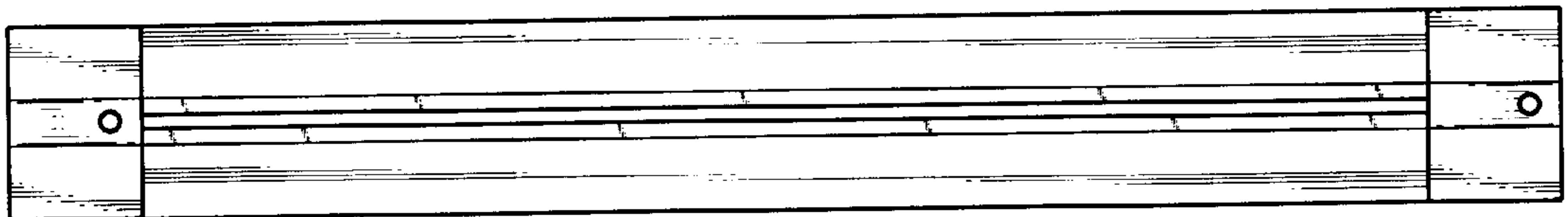


FIG. 7