



US00D480318S

(12) **United States Design Patent**  
**Settele**

(10) **Patent No.:** **US D480,318 S**

(45) **Date of Patent:** **\*\* Oct. 7, 2003**

(54) **MEASURING SPOON**

(75) Inventor: **Ignaz Settele**, Kaufbeuren (DE)

(73) Assignee: **Maxpat Trading & Marketing Limited (HK)**

(\*\*) Term: **14 Years**

(21) Appl. No.: **29/165,125**

(22) Filed: **Aug. 5, 2002**

(51) **LOC (7) Cl.** ..... **10-04**

(52) **U.S. Cl.** ..... **D10/46.3**

(58) **Field of Search** ..... D10/46.2, 46.3;  
D7/688-692, 393, 395, 401.2, 643, 653-664,  
644; 30/324-328; 73/426-429

(56) **References Cited**

**U.S. PATENT DOCUMENTS**

D120,759 S \* 5/1940 O'Bryon ..... D10/46.3  
D156,850 S \* 1/1950 Shirley ..... D10/46.3

D214,439 S \* 6/1969 Wormser ..... D10/46.2 X  
3,931,741 A \* 1/1976 Ceccarelli ..... 73/427

\* cited by examiner

*Primary Examiner*—Terry A. Wallace

(74) *Attorney, Agent, or Firm*—Ostrolenk, Faber, Gerb & Soffen, LLP

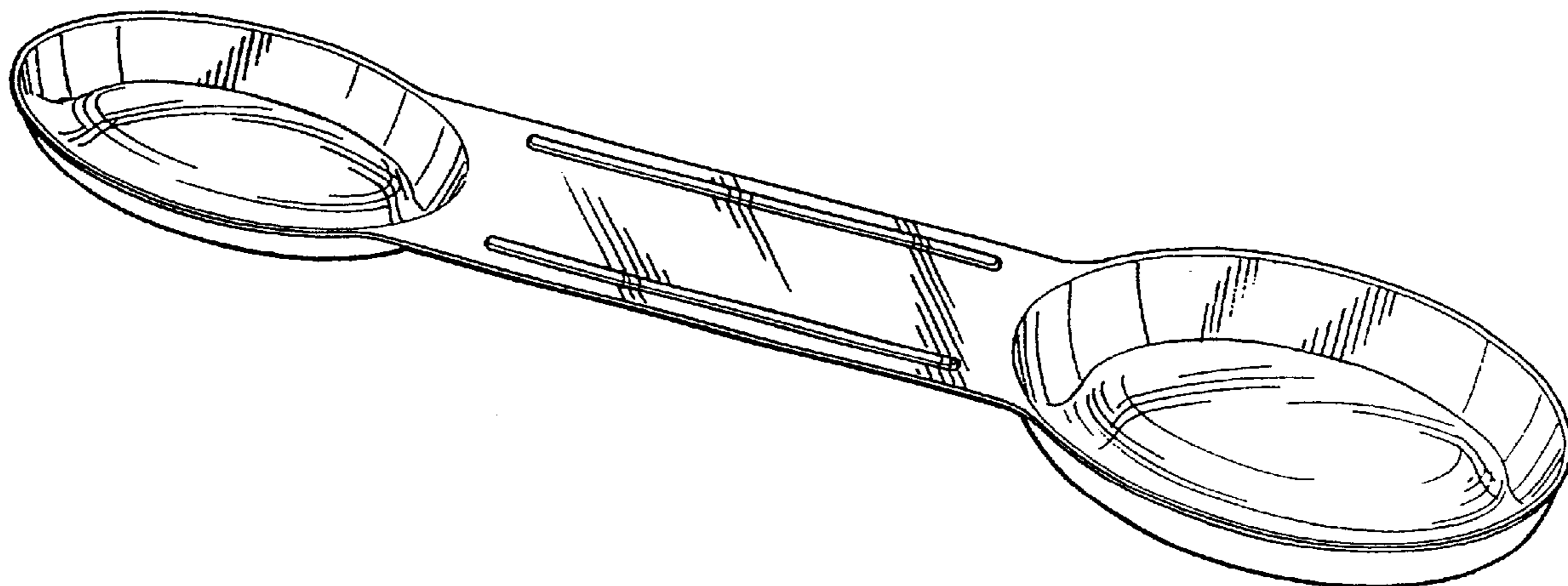
(57) **CLAIM**

The ornamental design for a measuring spoon, as shown and described.

**DESCRIPTION**

FIG. 1 is a perspective view of a measuring spoon, incorporating the design of my invention;  
FIG. 2 is a top plan view thereof;  
FIG. 3 is a bottom plan view thereof;  
FIG. 4 is a side view thereof;  
FIG. 5 is another side view thereof;  
FIG. 6 is a front elevational view thereof; and,  
FIG. 7 is a rear elevational view thereof.

**1 Claim, 6 Drawing Sheets**



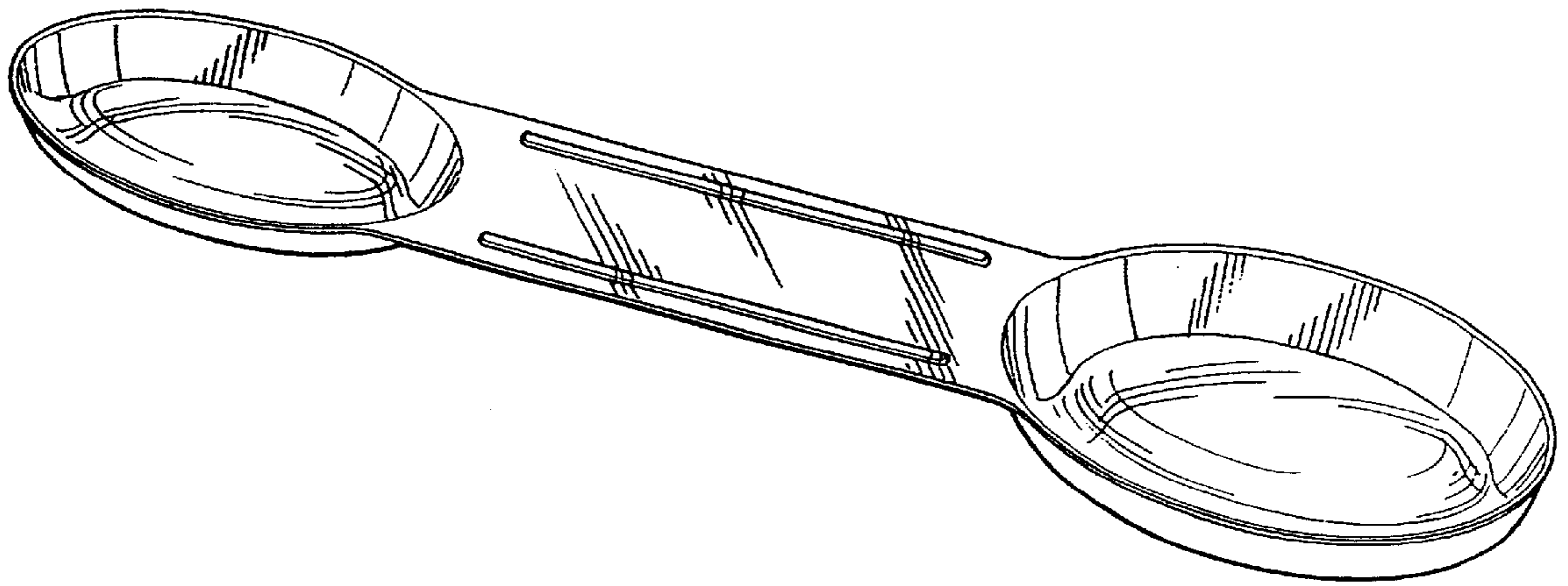


FIG. 1

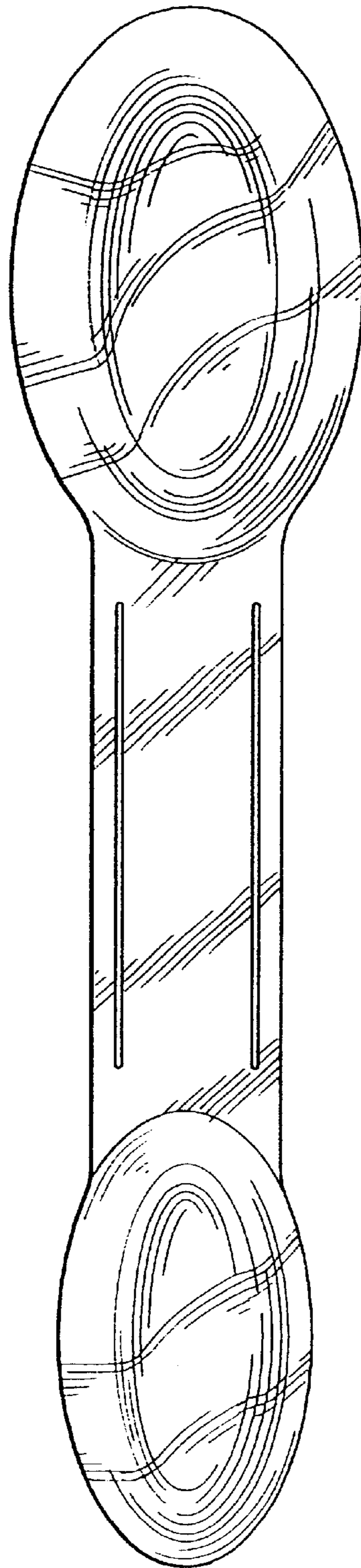


FIG. 2

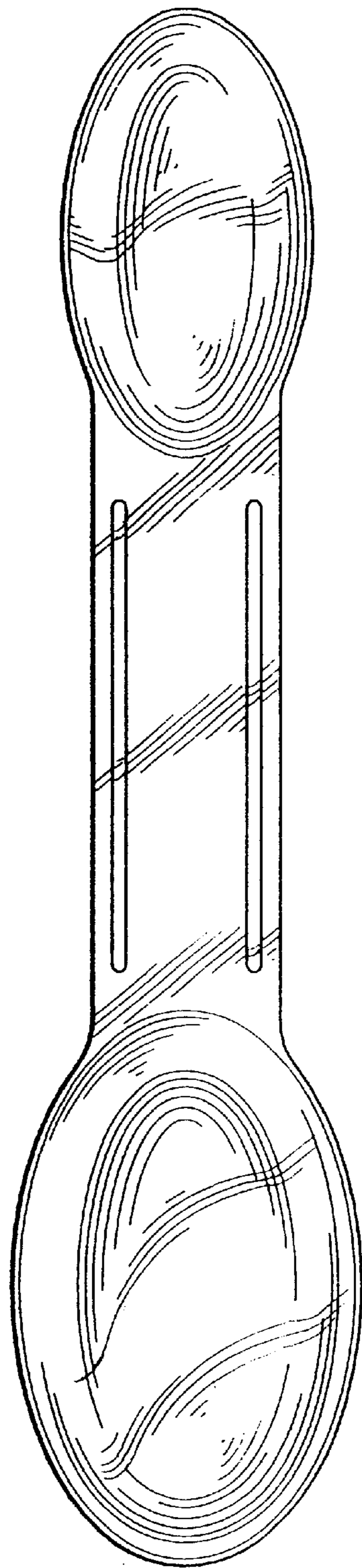


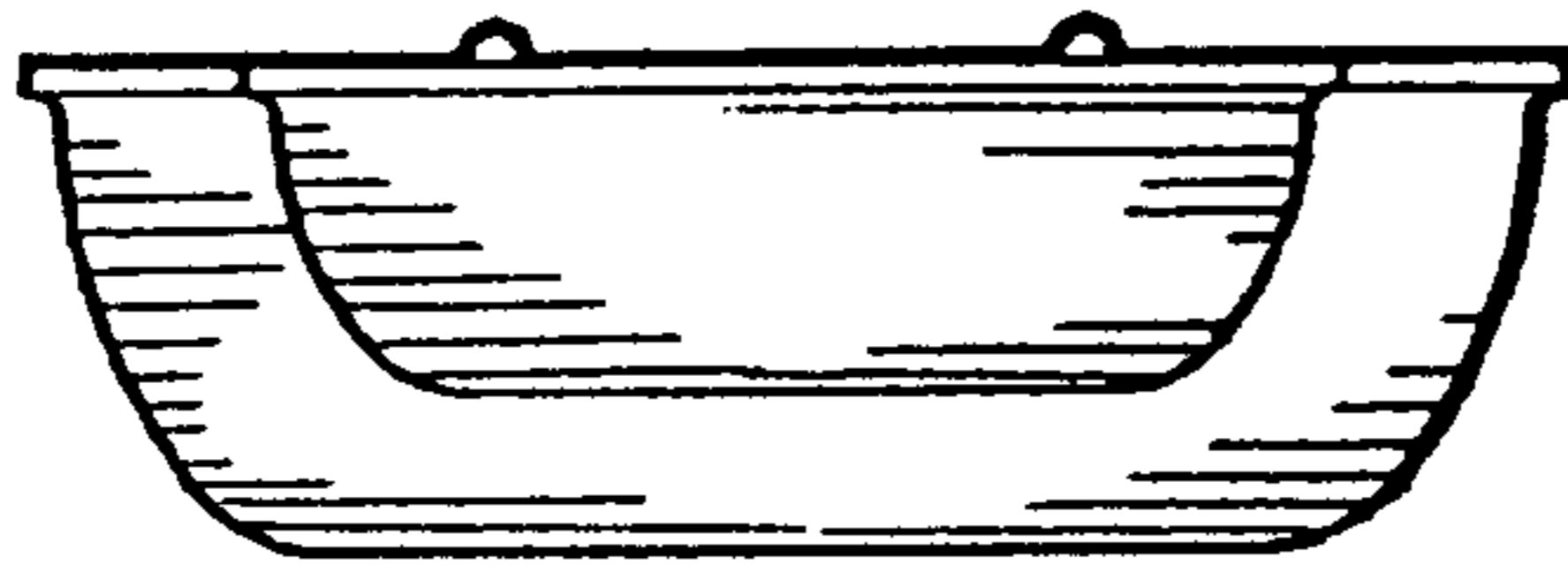
FIG. 3



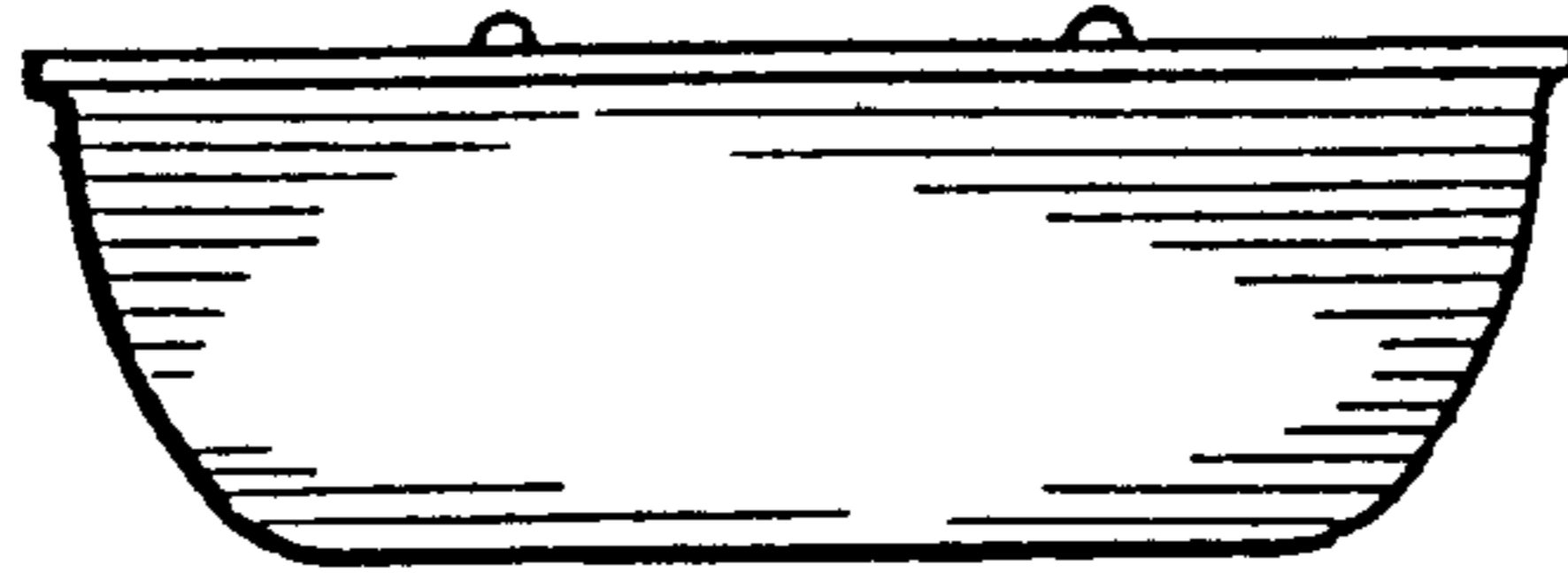
FIG. 4



FIG. 5



**FIG. 6**



**FIG. 7**

UNITED STATES PATENT AND TRADEMARK OFFICE  
**CERTIFICATE OF CORRECTION**

PATENT NO. : Des. 480,318 S  
DATED : October 7, 2003  
INVENTOR(S) : Ignaz Settele

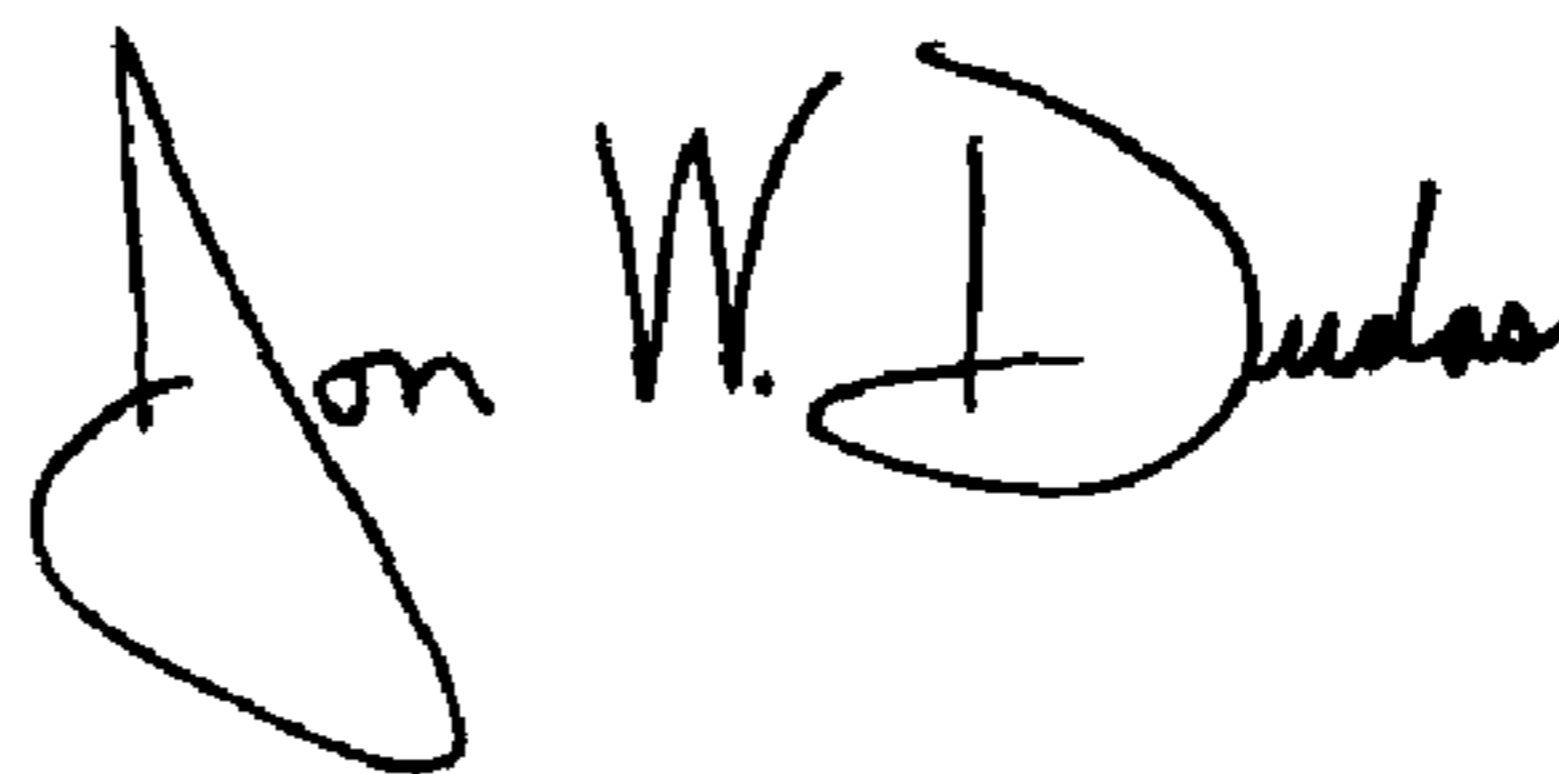
Page 1 of 1

It is certified that error appears in the above-identified patent and that said Letters Patent is hereby corrected as shown below:

Title page,  
Item [73], Assignee, should read -- **Maxpat Trading & Marketing (Far East) Limited** --.

Signed and Sealed this

Thirteenth Day of April, 2004

A handwritten signature in black ink that reads "Jon W. Dudas". The signature is written in a cursive style with a large, looped initial "J".

---

JON W. DUDAS  
*Acting Director of the United States Patent and Trademark Office*