



US00D480314S

(12) **United States Design Patent**
Johnson et al.

(10) **Patent No.:** **US D480,314 S**

(45) **Date of Patent:** **** Oct. 7, 2003**

(54) **BOTTLE**

(75) Inventors: **Stephen M. Johnson**, Huntington Beach, CA (US); **Joseph J. Bruchman**, Mission Viejo, CA (US)

(73) Assignee: **Setco, Inc.**, Anaheim, CA (US)

(**) Term: **14 Years**

(21) Appl. No.: **29/154,952**

(22) Filed: **Jan. 31, 2002**

(51) **LOC (7) Cl.** **09-01**

(52) **U.S. Cl.** **D9/538; D9/539; D9/552; D9/558**

(58) **Field of Search** D9/500, 502, 516, D9/530, 537-540, 541-543, 549, 552, 554, 556, 558, 559, 565, 569, 574, 575; 215/382-385, 396, 398, 400, 373; 220/667

(56) **References Cited**

U.S. PATENT DOCUMENTS

114,775 A	*	5/1871	Davison	215/383
D8,207 S	*	3/1875	Gulden	D9/503
D100,342 S	*	7/1936	Steuernagle	D9/552
2,139,143 A	*	12/1938	Wiswell	220/667 X
D115,155 S	*	6/1939	D'Addario	D9/552
D164,677 S	*	10/1951	DuPree	D9/555 X
4,991,731 A	*	2/1991	Osip et al.	215/232

5,217,737 A	*	6/1993	Gygax et al.	215/383 X
D345,503 S	*	3/1994	Murphy	D9/500
D351,187 S	*	10/1994	Suga	D18/43
5,704,504 A	*	1/1998	Bueno	215/381
6,299,007 B1	*	10/2001	Takeuchi	215/373
D455,964 S	*	4/2002	Patterson	D9/552
D467,805 S	*	12/2002	Restrepo	D9/500

* cited by examiner

Primary Examiner—Ted Shooman

Assistant Examiner—Carol Rademaker

(74) *Attorney, Agent, or Firm*—Timothy Thut Tyson; Freilich, Hornbaker & Rosen

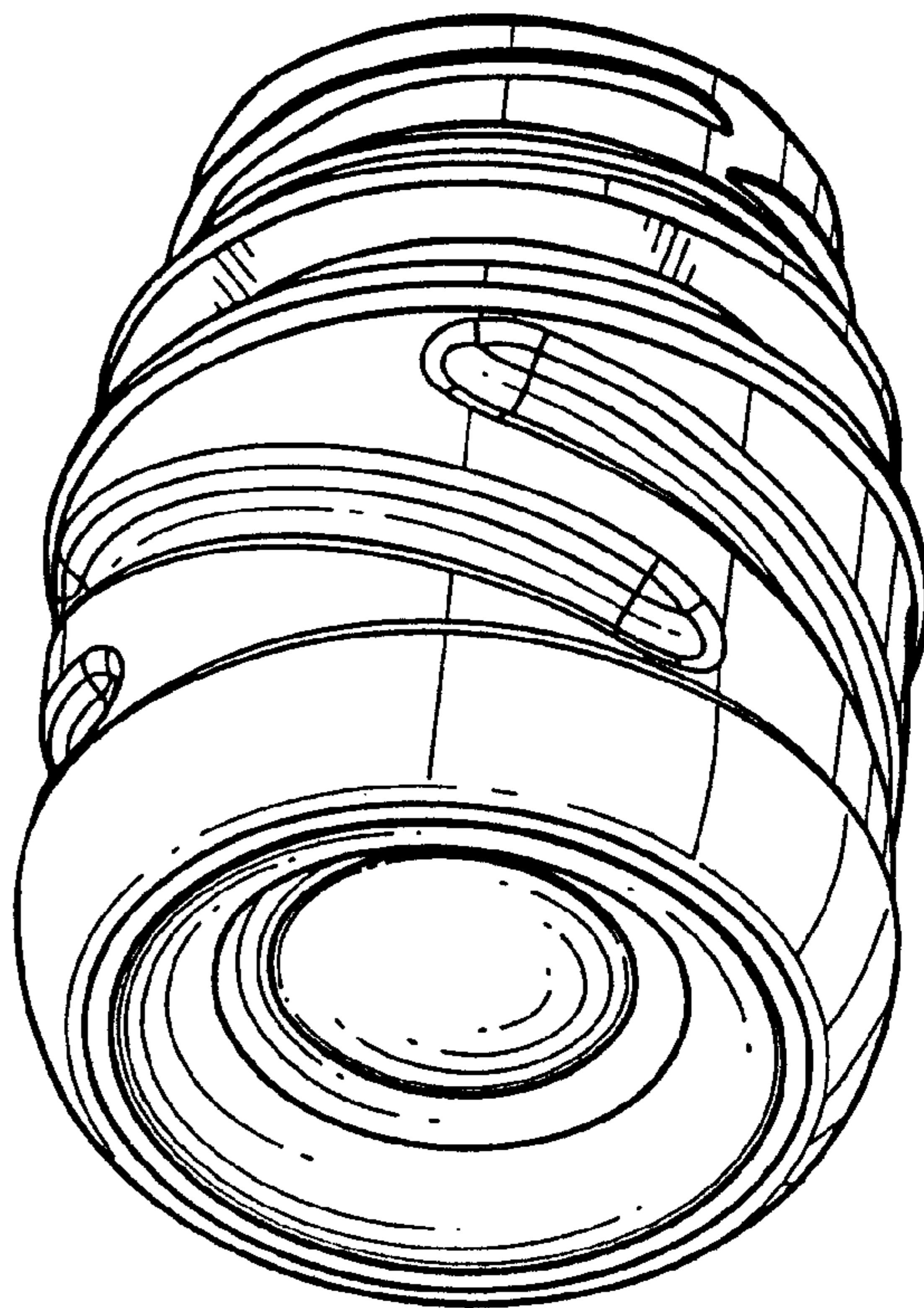
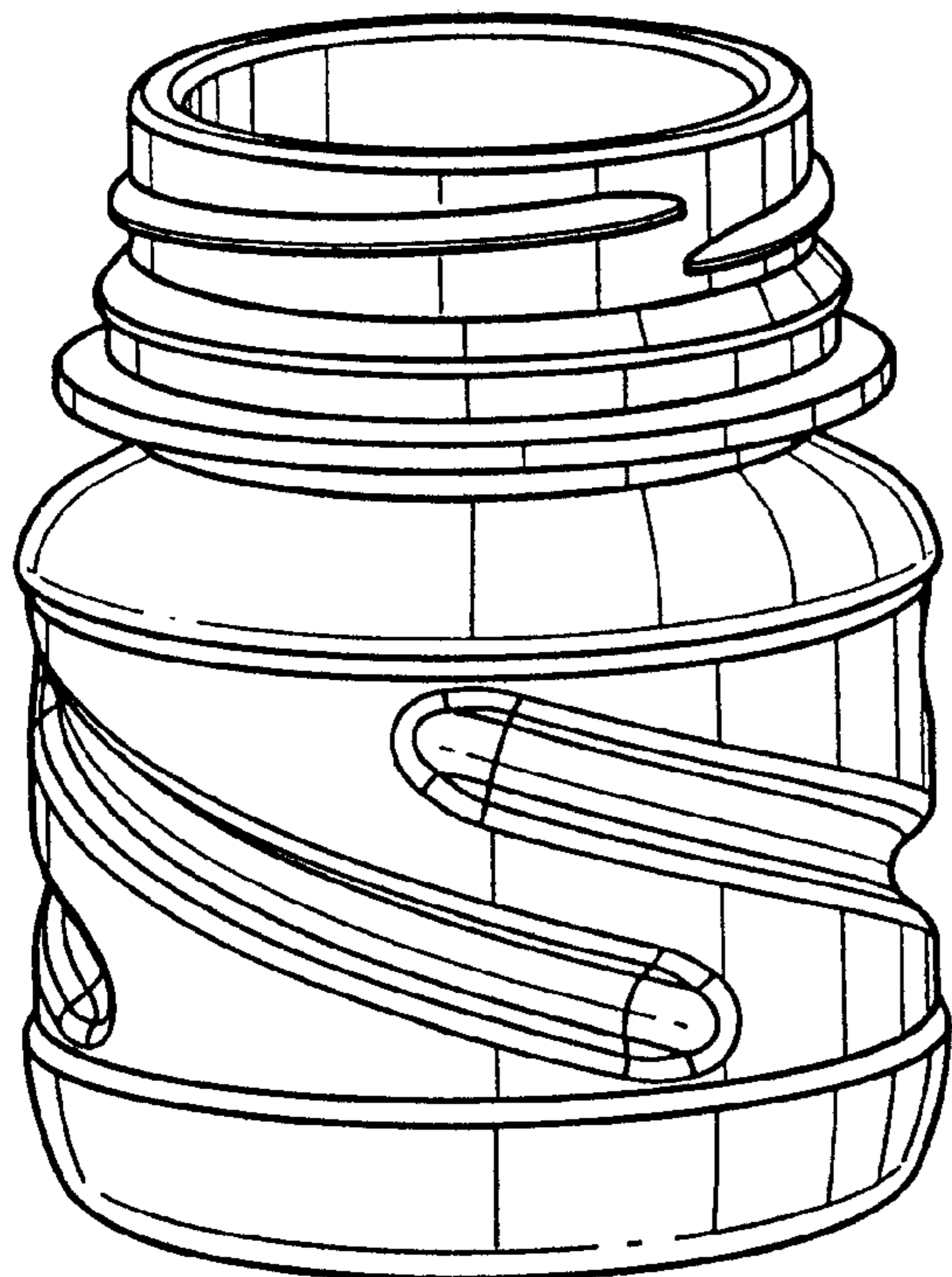
(57) **CLAIM**

The ornamental design for a bottle, as shown and described.

DESCRIPTION

FIG. 1 is a top side perspective view of a bottle showing my new design;
 FIG. 2 is a bottom side perspective view thereof;
 FIG. 3 is a side elevation view thereof;
 FIG. 4 is a side elevation view thereof rotated 90° from FIG. 3;
 FIG. 5 is a sectional view thereof along line 5—5 of FIG. 5;
 FIG. 6 is a top plan view thereof;
 FIG. 7 is a sectional view thereof along line 7—7 of FIG. 6;
 and,
 FIG. 8 is a bottom plan view thereof.

1 Claim, 3 Drawing Sheets



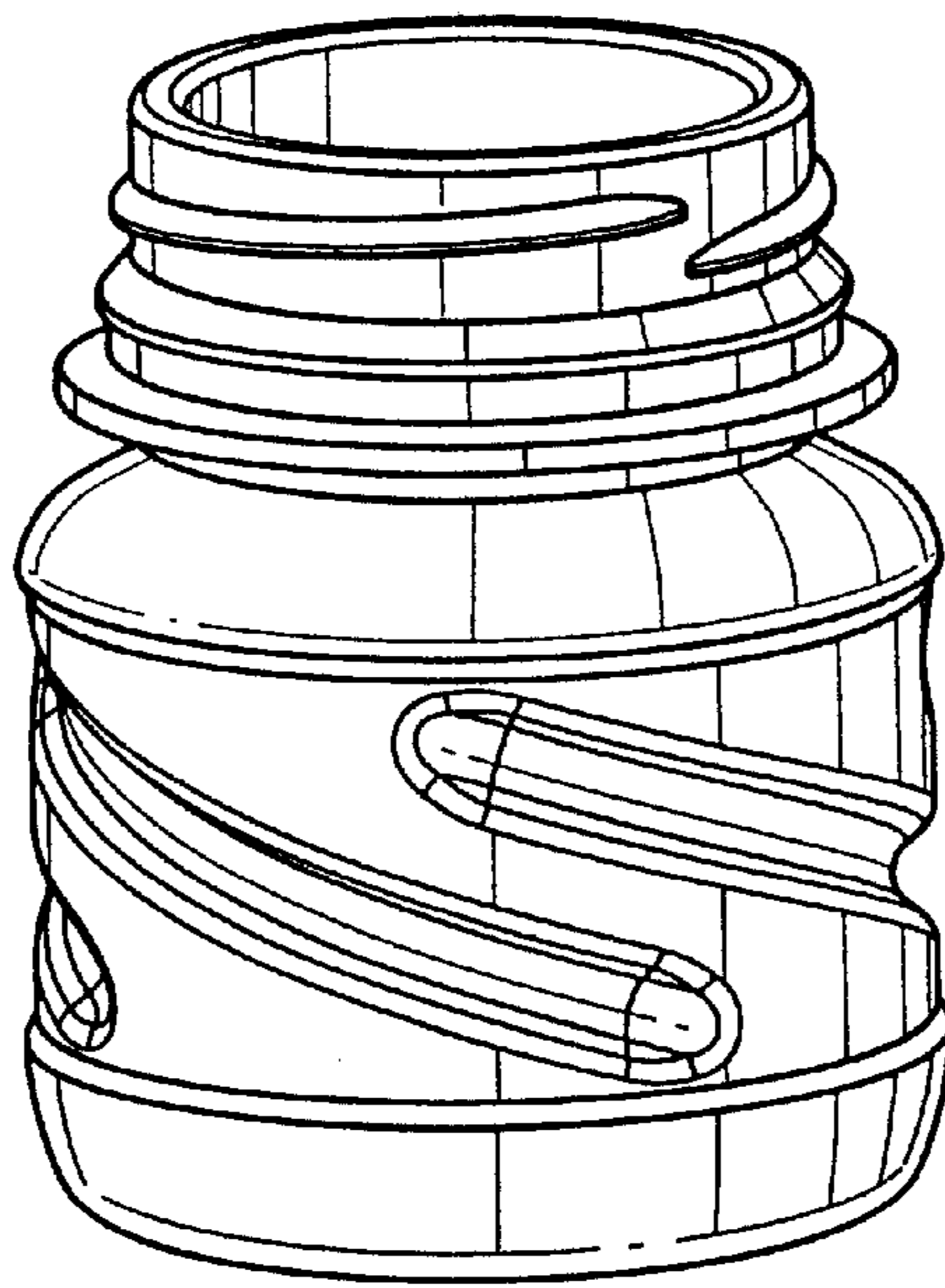


FIG. 1

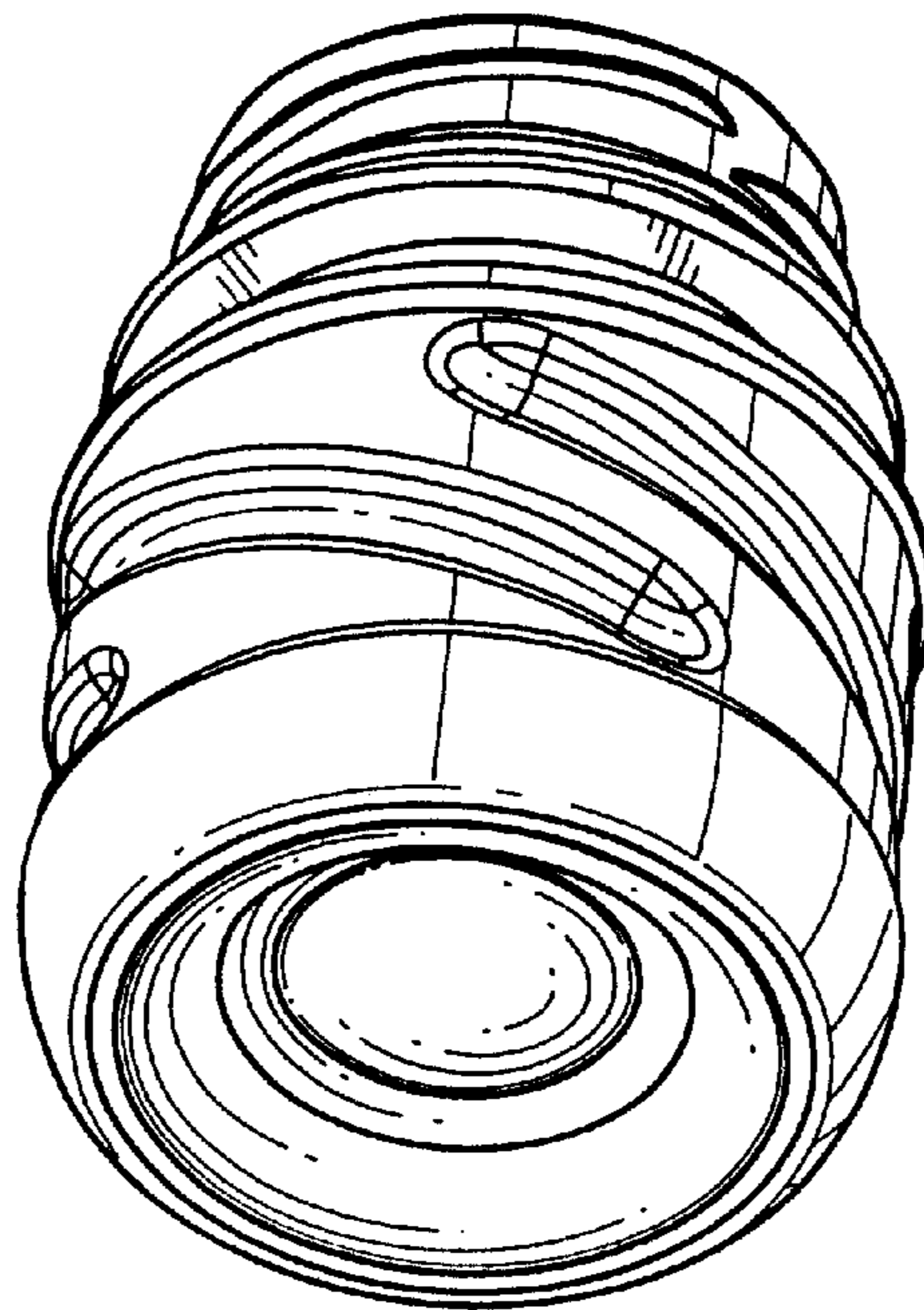


FIG. 2

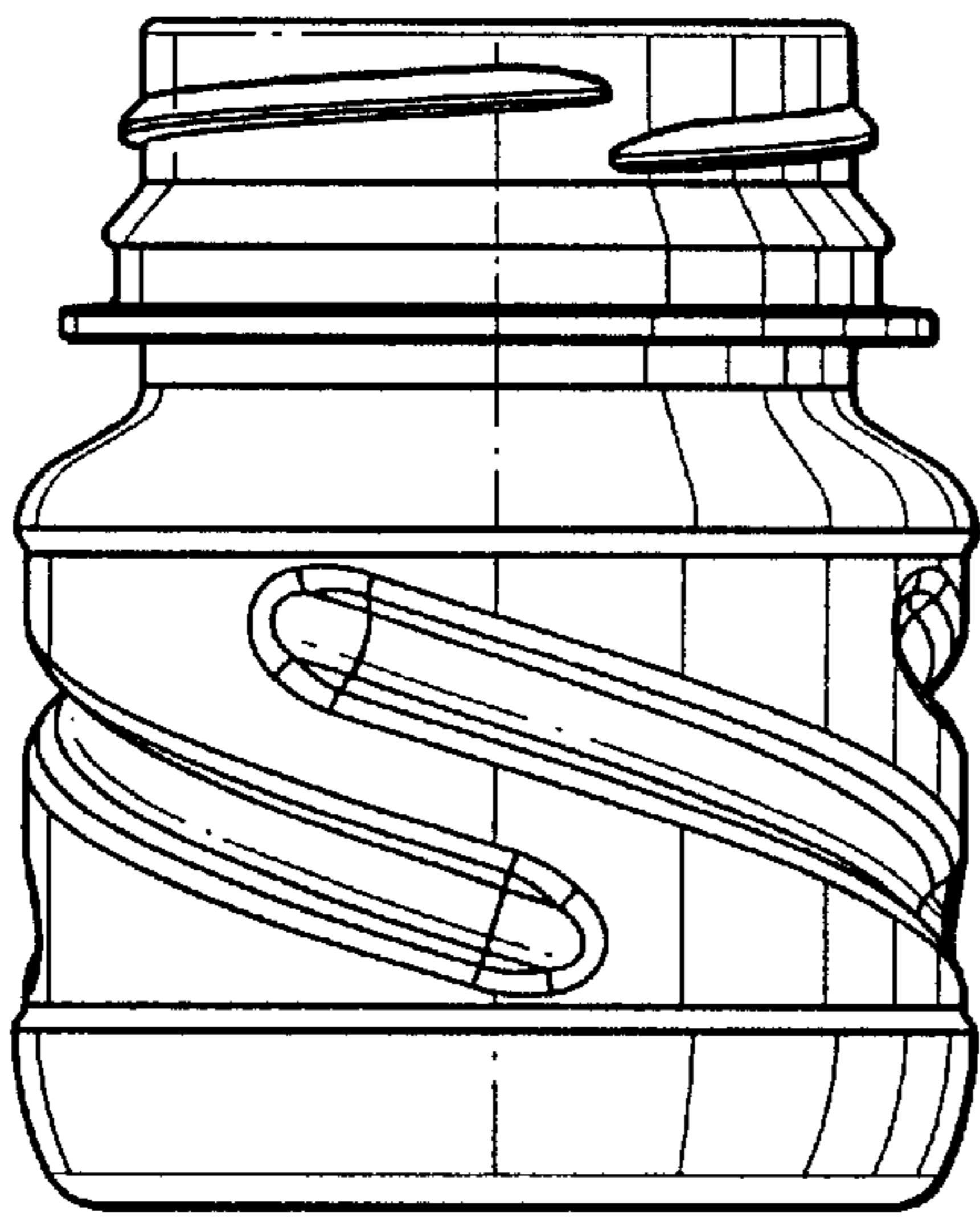


FIG. 3

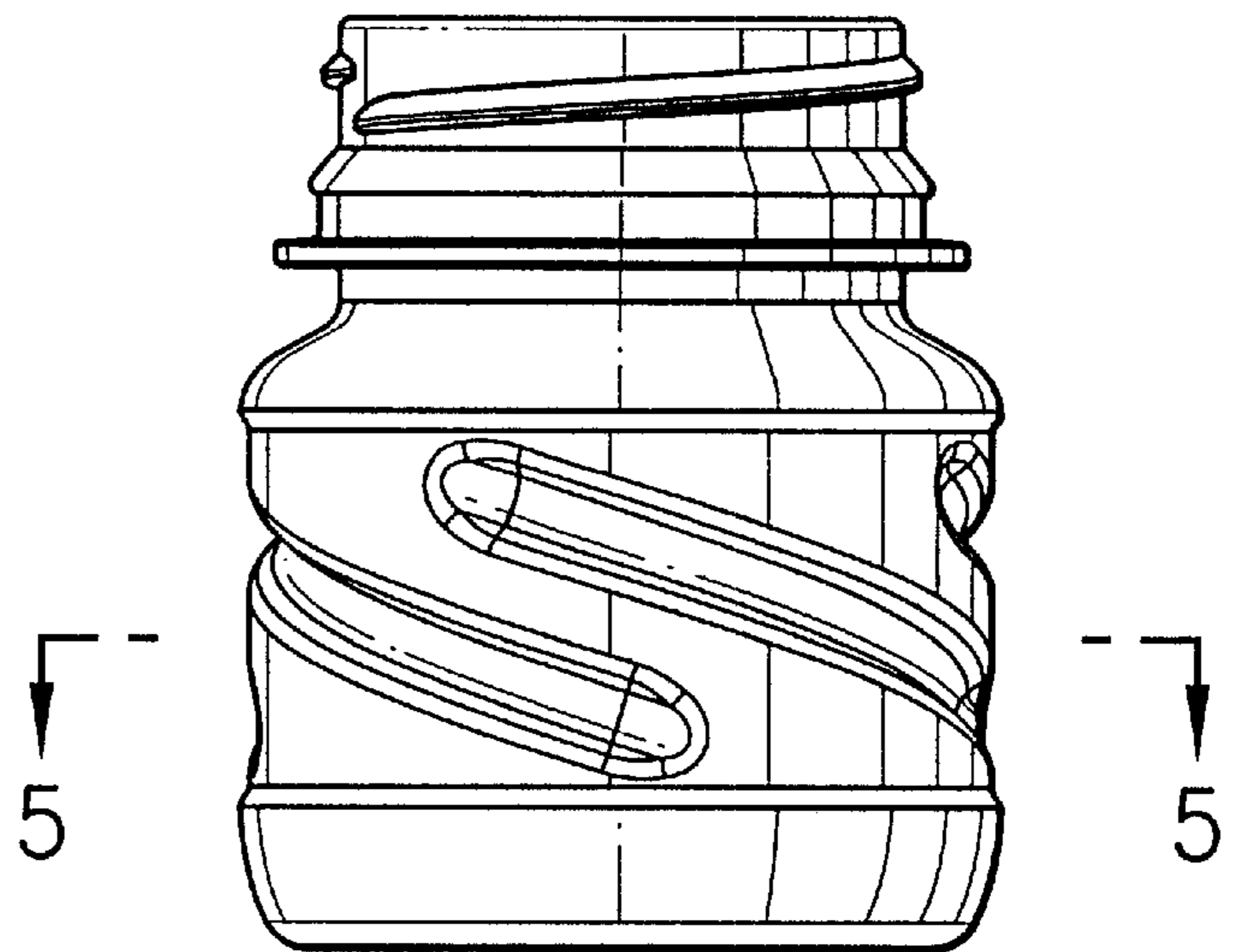


FIG. 4

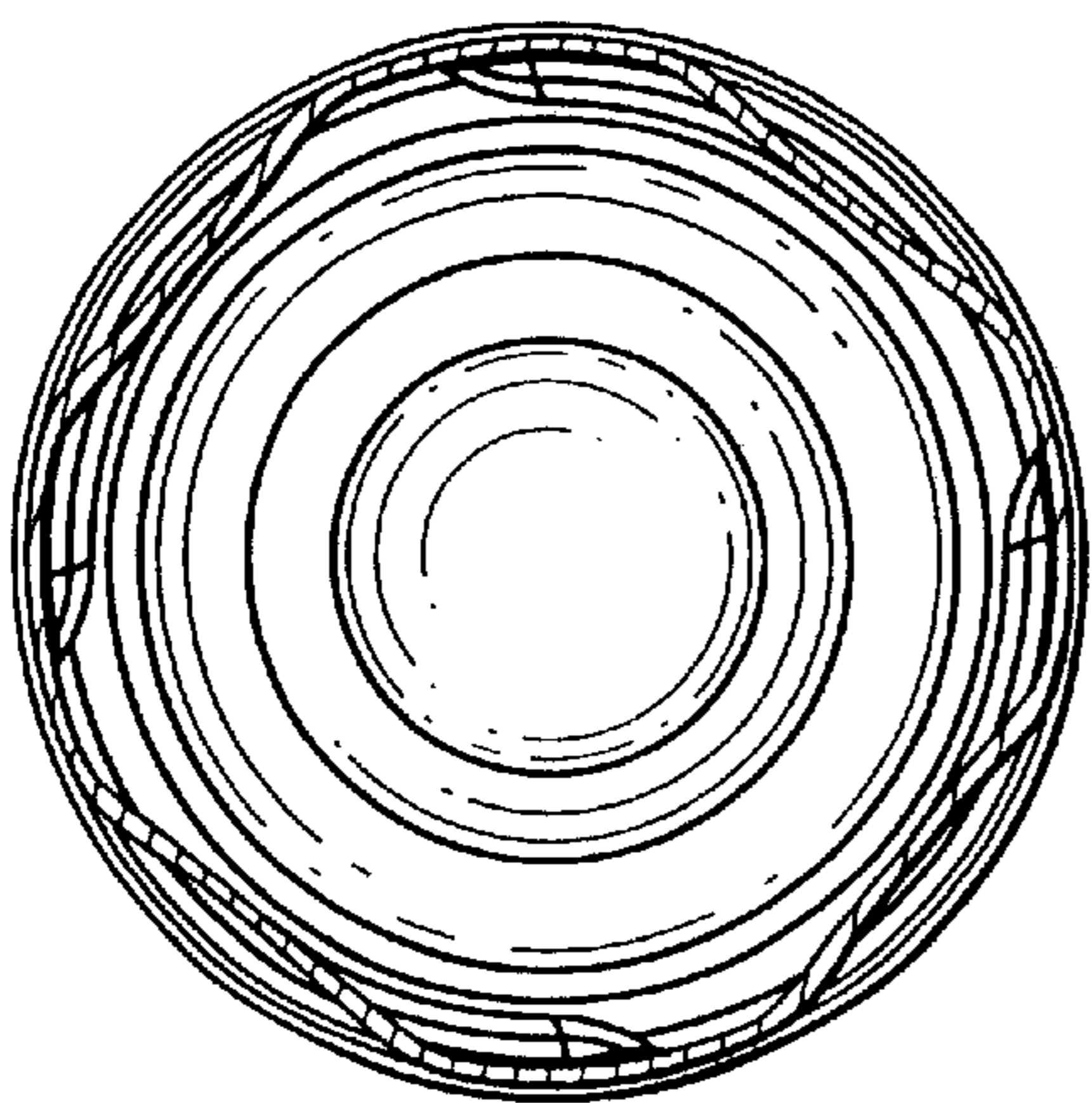


FIG. 5

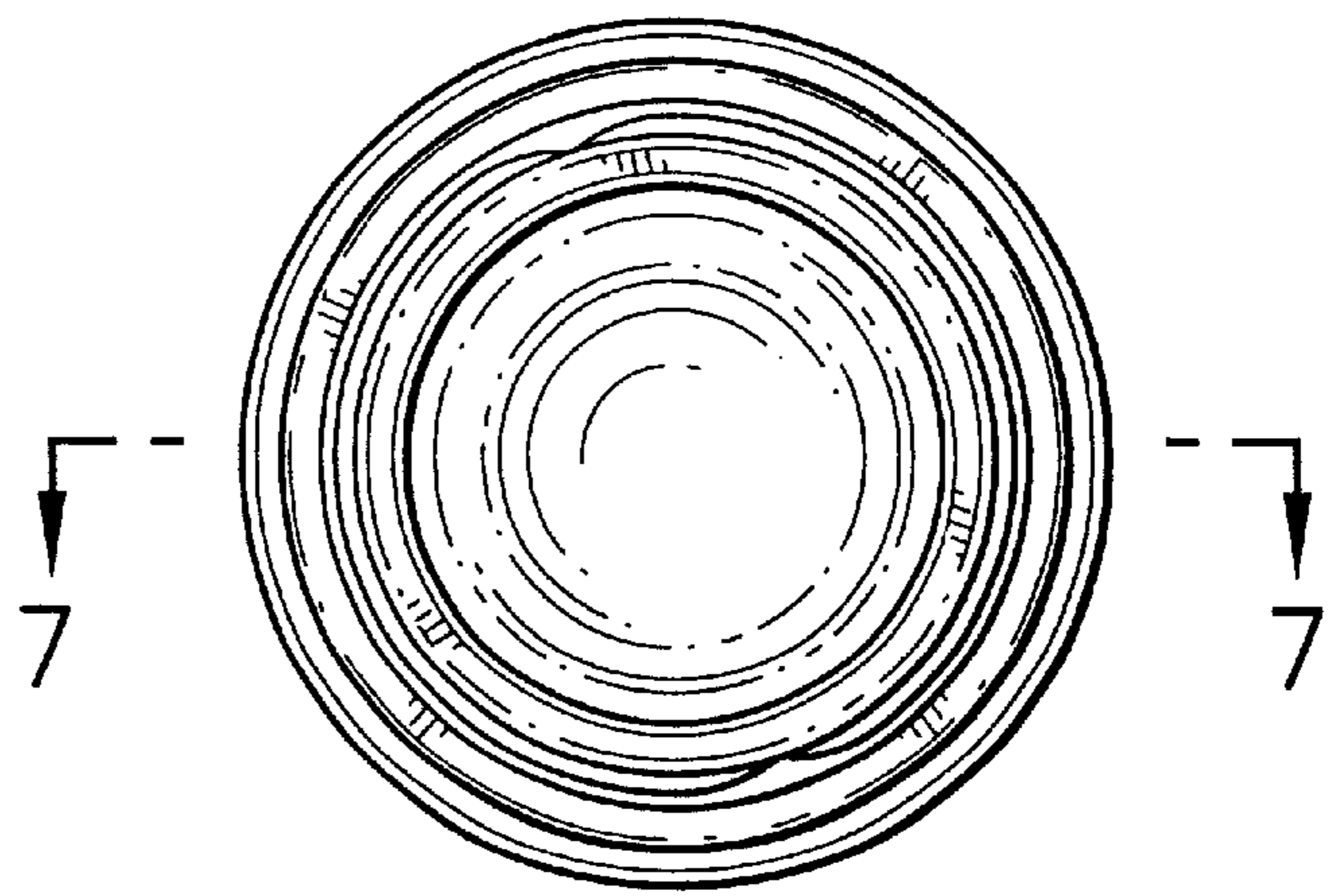


FIG. 6

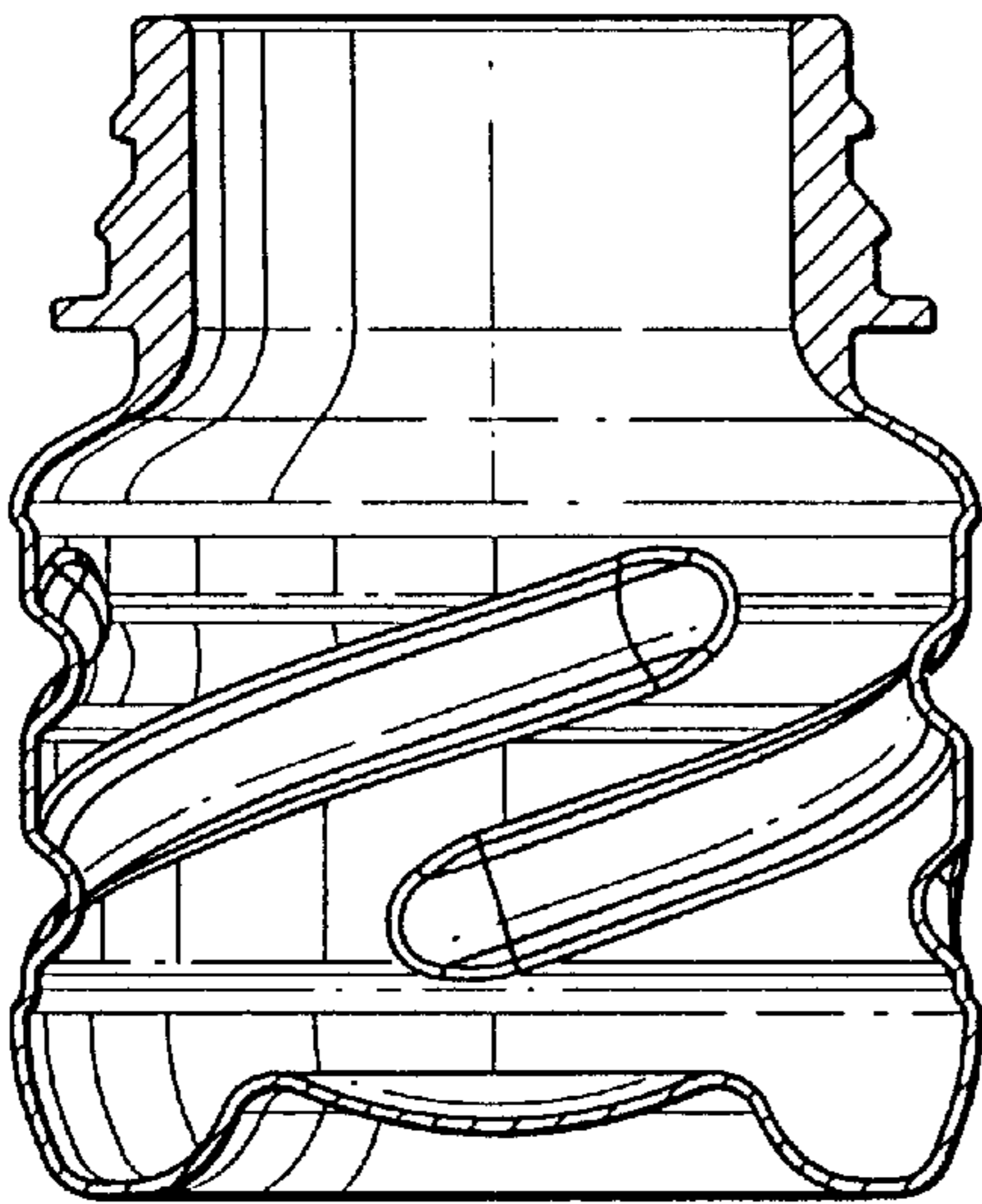


FIG. 7

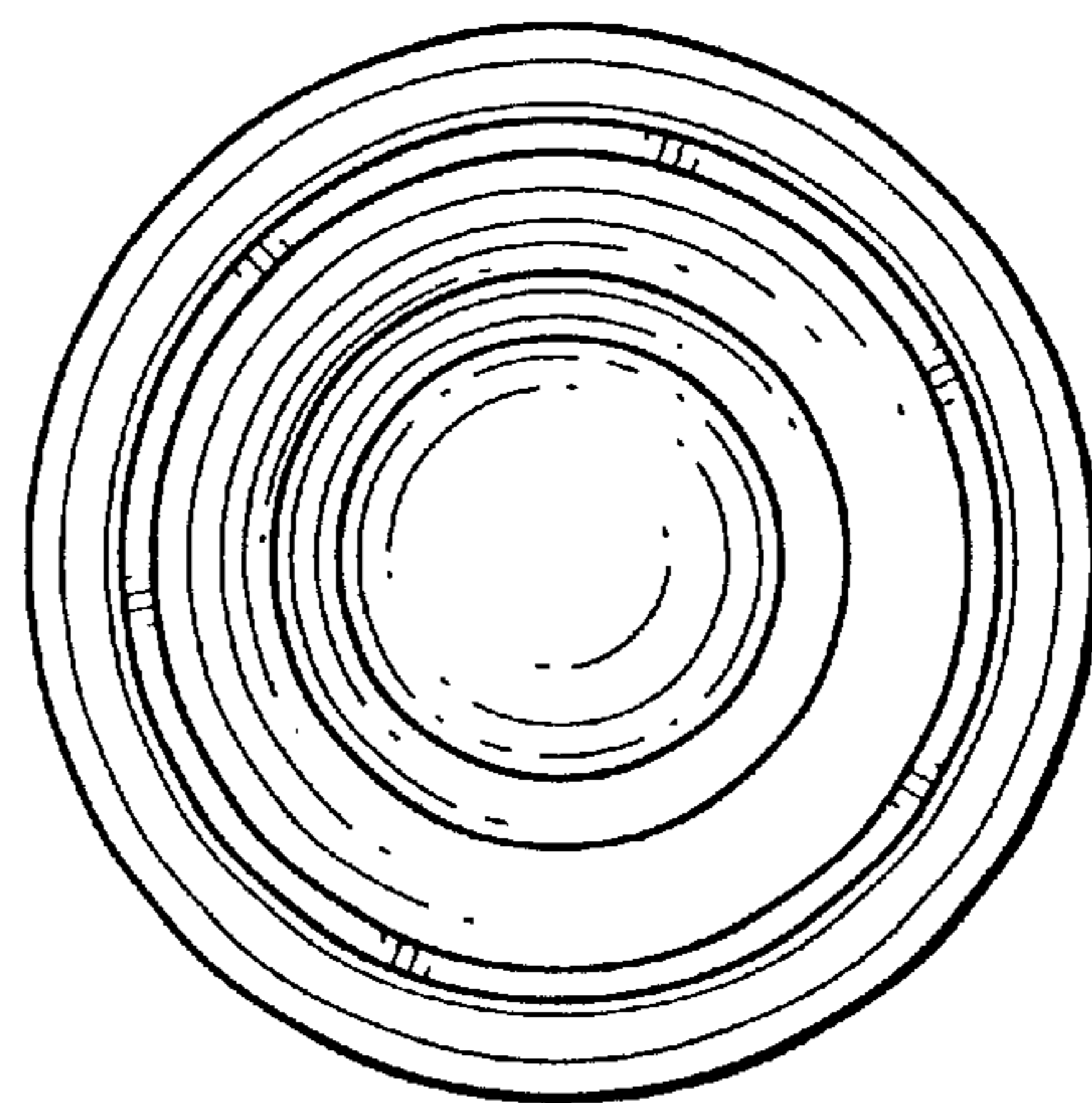


FIG. 8