



US00D480311S

(12) **United States Design Patent**
Barrett

(10) **Patent No.:** **US D480,311 S**

(45) **Date of Patent:** **** Oct. 7, 2003**

(54) **GUN POWDER CONTAINER**

(75) Inventor: **Benjamin Y. Barrett**, Kansas City, MO (US)

(73) Assignee: **Hodgdon Powder Co., Inc.**, Shawnee Mission, KS (US)

(**) Term: **14 Years**

(21) Appl. No.: **29/155,007**

(22) Filed: **Feb. 1, 2002**

(51) **LOC (7) Cl.** **09-03**

(52) **U.S. Cl.** **D9/531**

(58) **Field of Search** D9/500, 501, 503, D9/516, 517, 530, 531, 549, 535, 537, 539, 573, 574, 575; 206/527, 822; 215/14, 40, 272, 316, 400; 220/569, 890

(56) **References Cited**

U.S. PATENT DOCUMENTS

D189,996 S * 3/1961 Stenger D58/8
D192,708 S * 5/1962 Cory D58/5
D193,910 S * 10/1962 Sterges D58/5

D197,190 S * 12/1963 Natale D58/5
D203,560 S * 1/1966 Erickson D58/5
D212,210 S * 9/1968 Anderson D9/40
D240,797 S * 8/1976 Poteet D9/1
D318,228 S * 7/1991 Schlesselman D9/531

* cited by examiner

Primary Examiner—Ted Shooman

Assistant Examiner—Daniel Bui

(74) *Attorney, Agent, or Firm*—Shook, Hardy & Bacon LLP

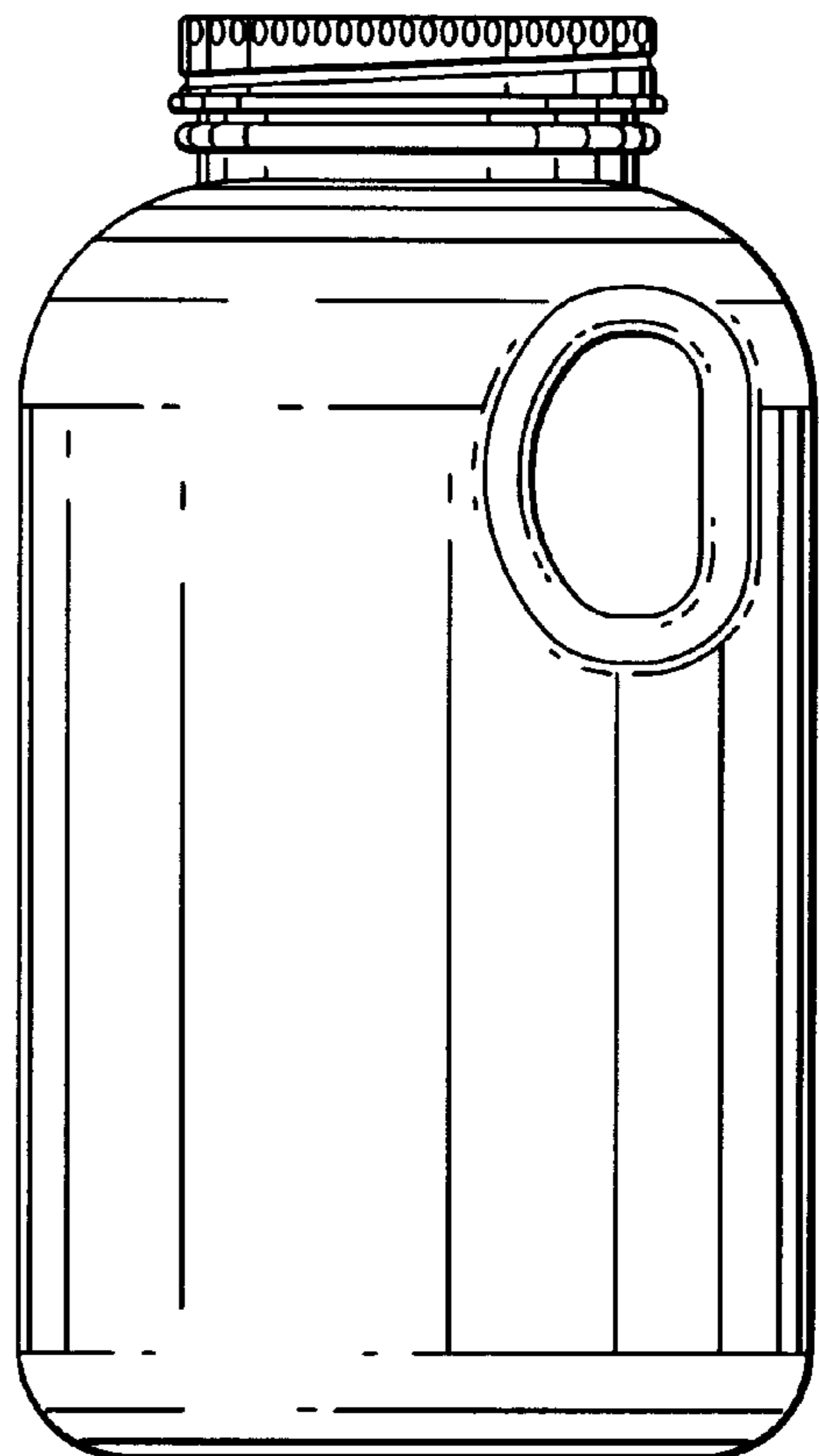
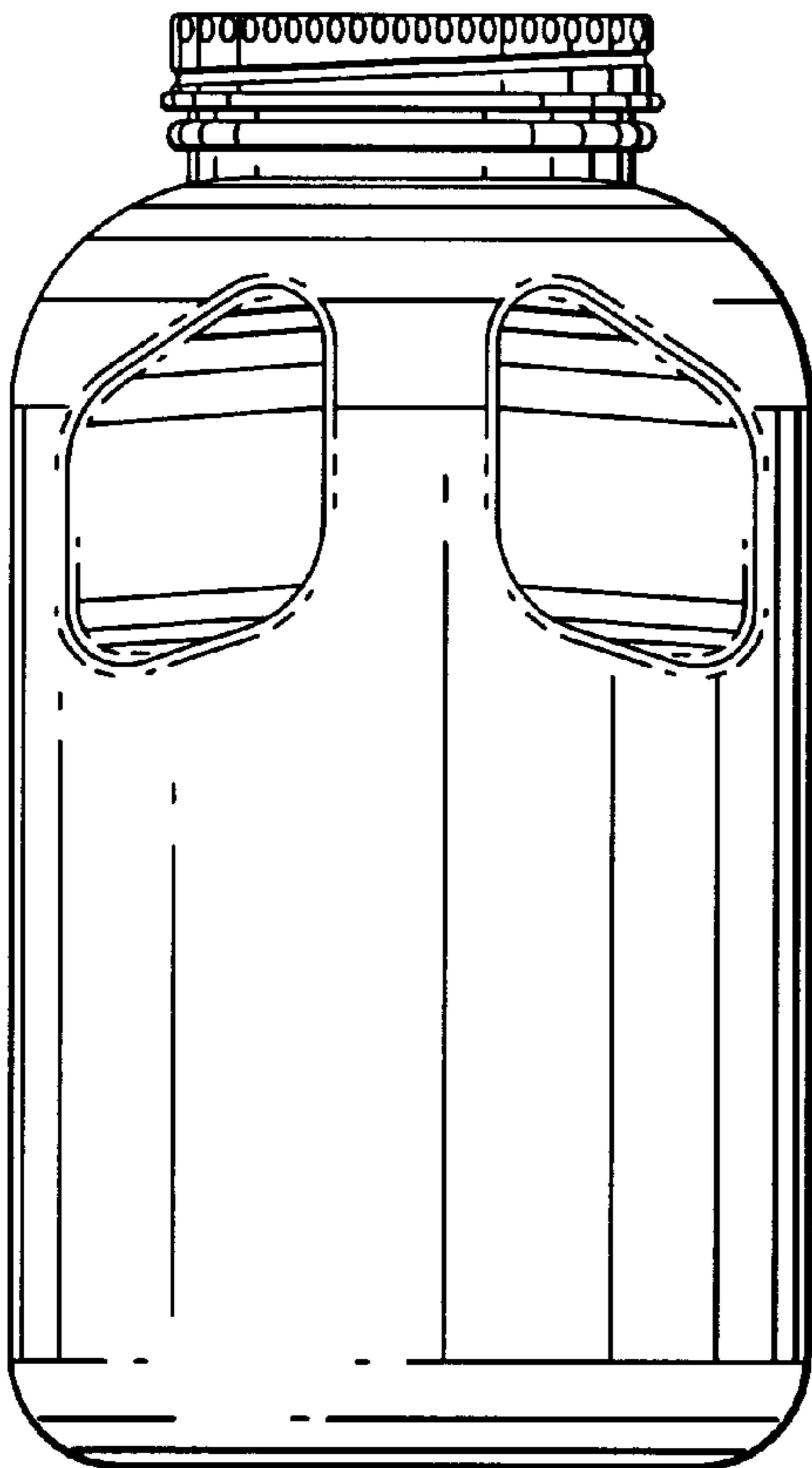
(57) **CLAIM**

The ornamental design for a gun powder container, as shown and described.

DESCRIPTION

FIG. 1 is a front elevational view of a gun powder container according to the present invention; FIG. 2 is a rear elevational view thereof; FIG. 3 is a side elevational view thereof; FIG. 4 is a top plan view thereof; and, FIG. 5 is a bottom view thereof.

1 Claim, 1 Drawing Sheet



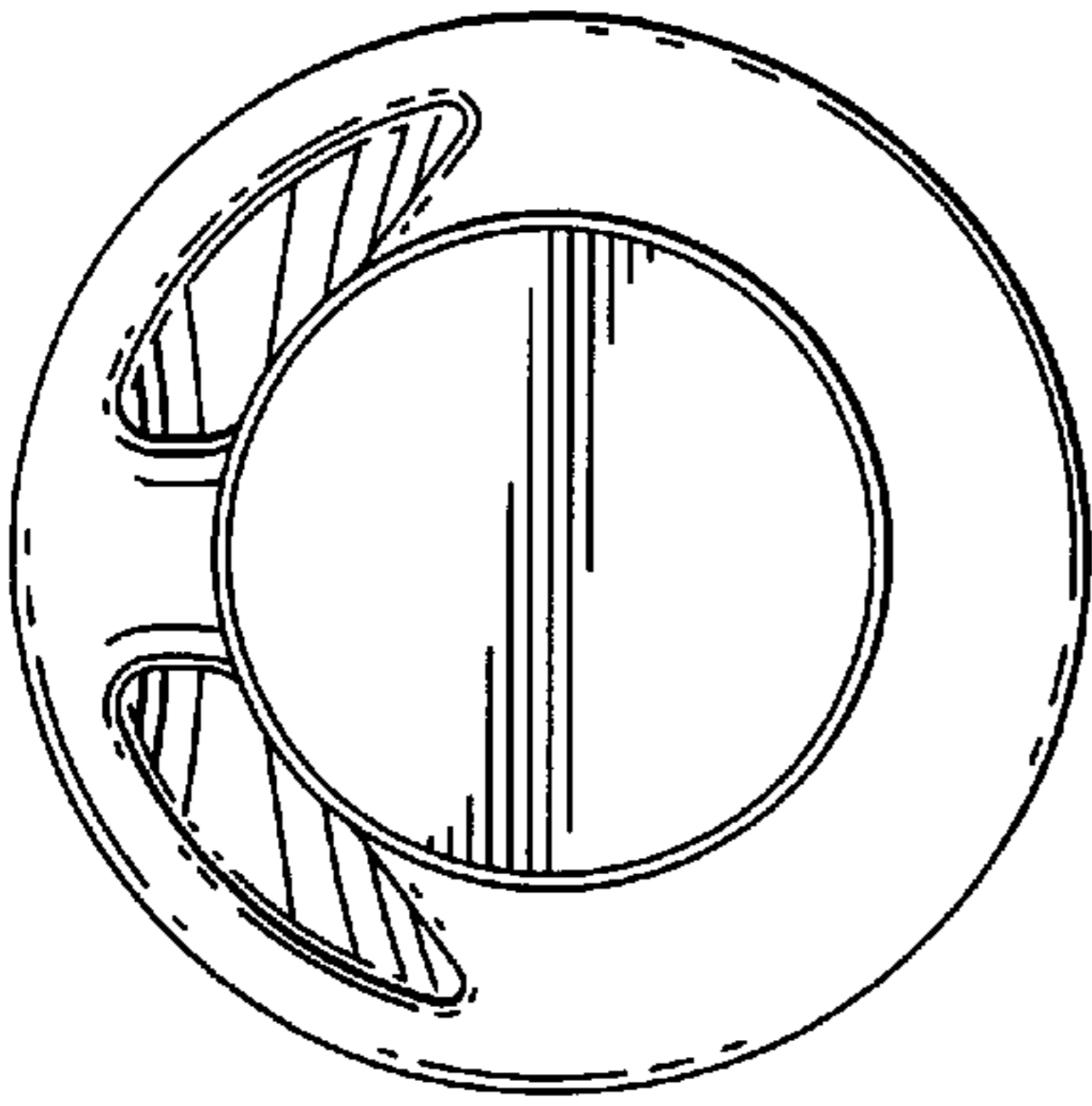


Fig. 4

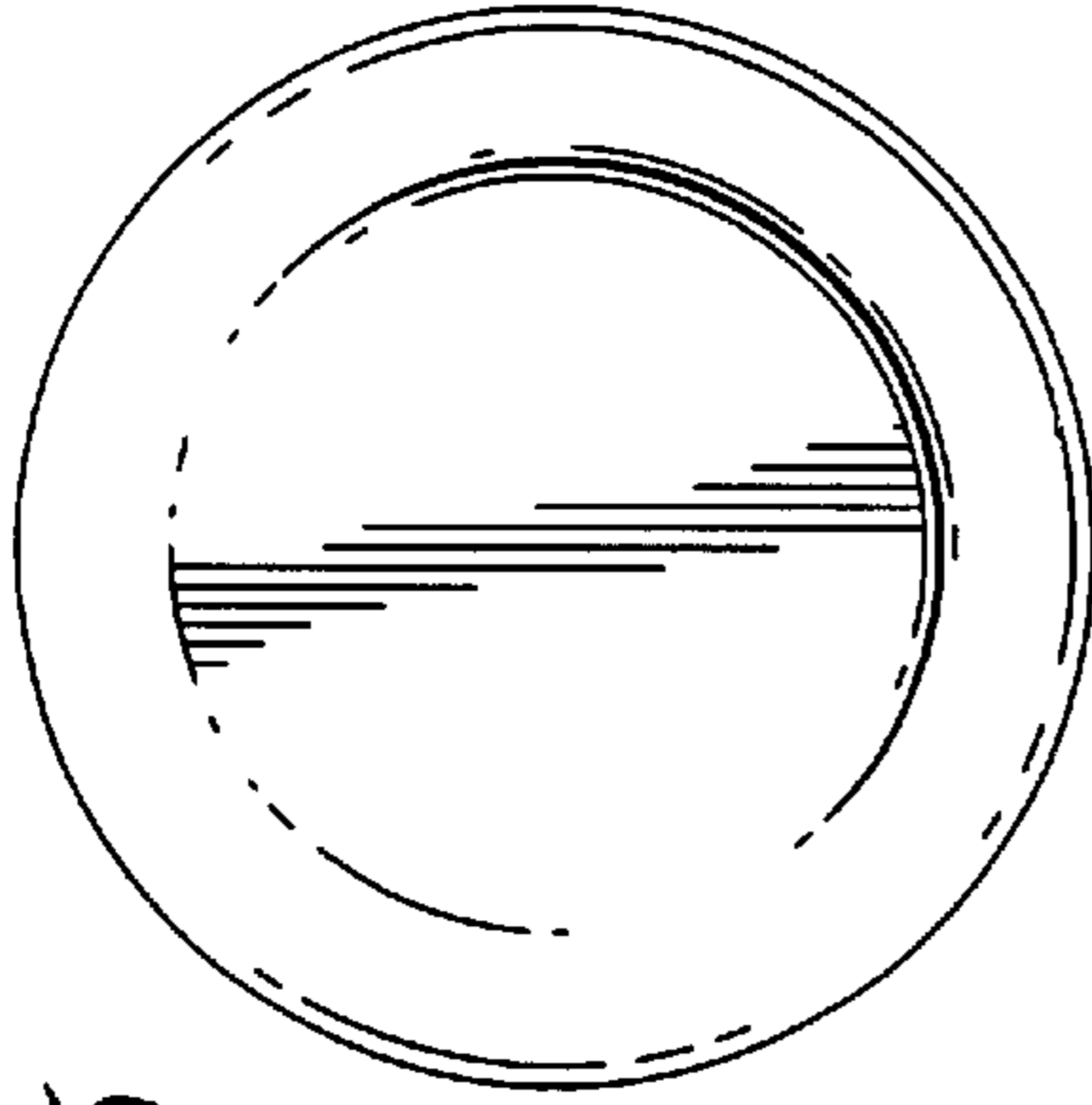


Fig. 5

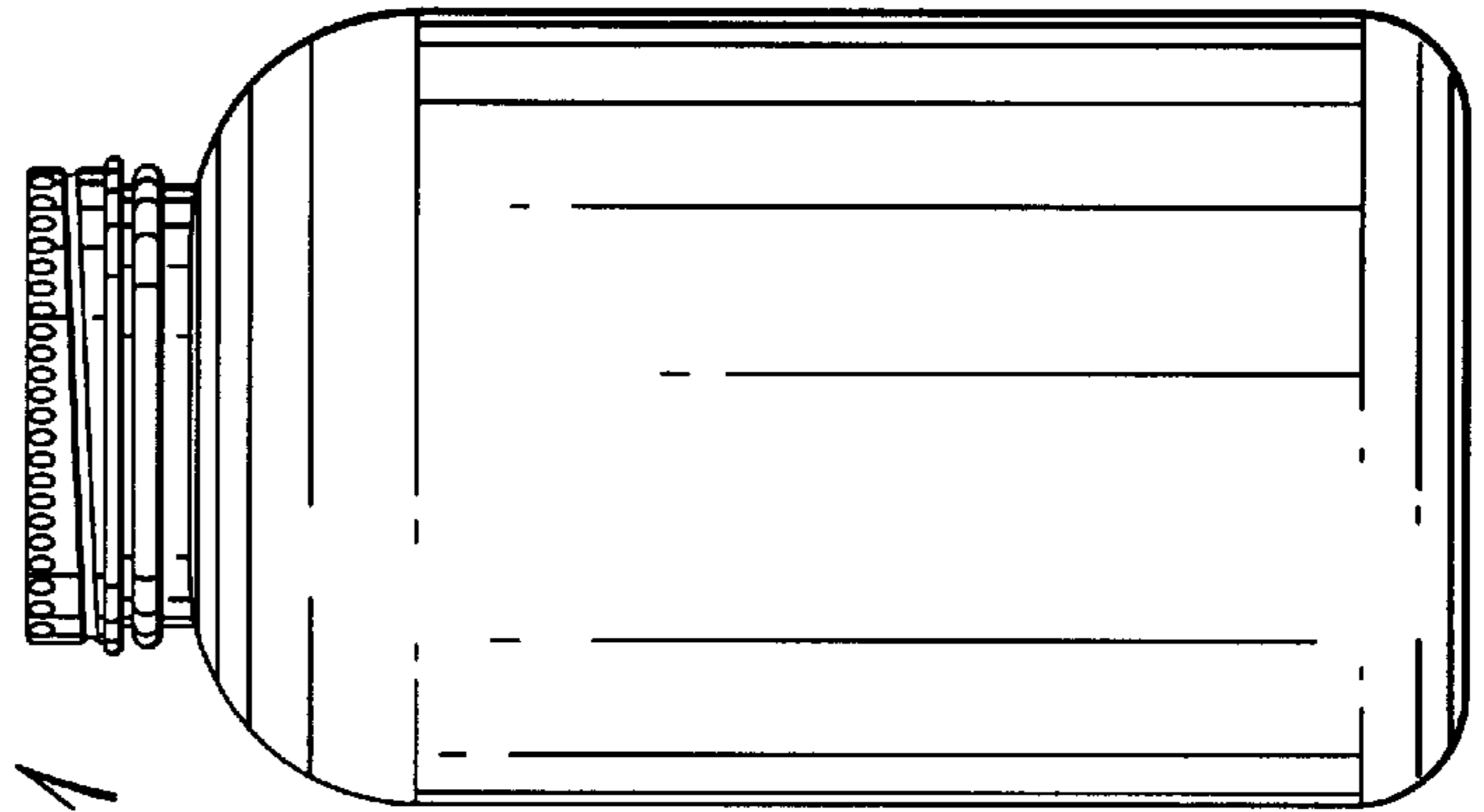


Fig. 1

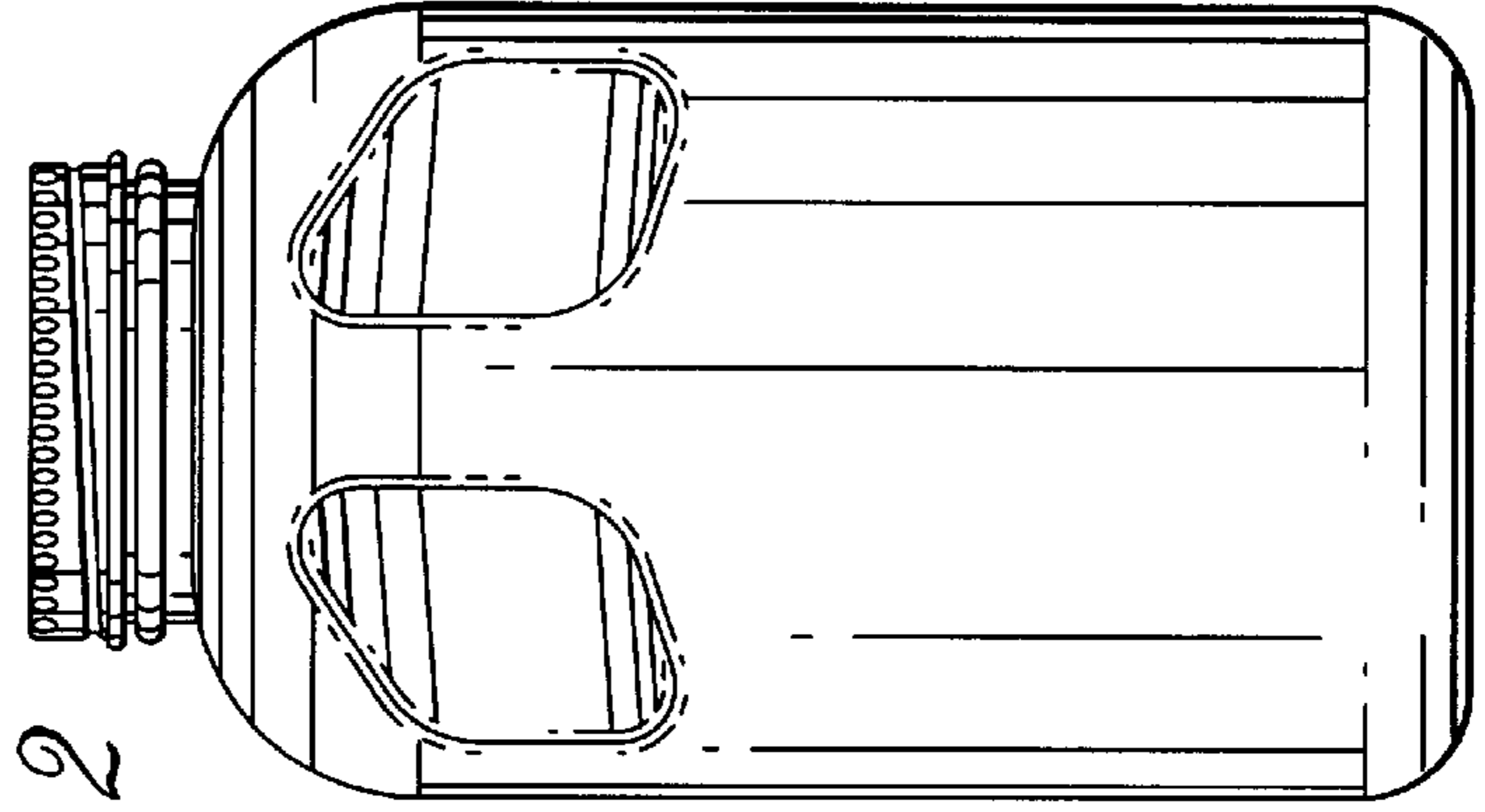


Fig. 2

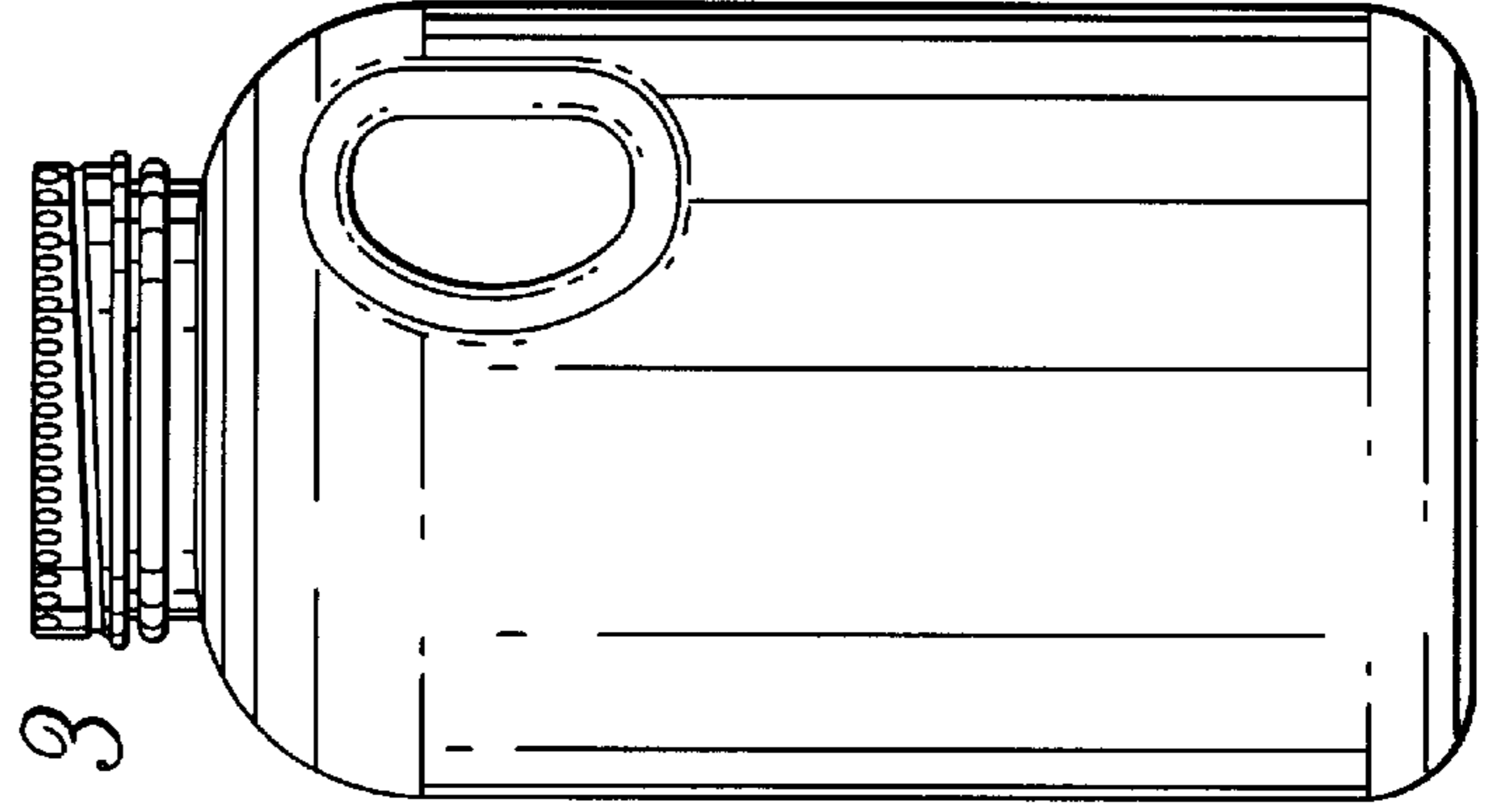


Fig. 3