



US00D480307S

(12) **United States Design Patent**
Canamasas Puigbo

(10) **Patent No.: US D480,307 S**

(45) **Date of Patent: ** Oct. 7, 2003**

(54) **FLASK**

(76) **Inventor: Aniceto Canamasas Puigbo, Avenida Josep Tarradellas, 97 entlo. 1^a, 08029 Barcelona (ES)**

(**) **Term: 14 Years**

(21) **Appl. No.: 29/166,327**

(22) **Filed: Aug. 26, 2002**

(30) **Foreign Application Priority Data**

Feb. 26, 2002 (ES) 153496

(51) **LOC (7) Cl. 09-01**

(52) **U.S. Cl. D9/504; D28/76**

(58) **Field of Search D9/337-338, 341, D9/347, 500, 502-505, 516, 529, 549, 558, 560, 574; D28/76, 82, 91; 215/10, 12.1-12.3, 12.5, 382-384, 396, 398, 400, 6**

(56) **References Cited**

U.S. PATENT DOCUMENTS

D24,203 S	*	4/1895	Estes	D9/504
1,353,281 A	*	9/1920	Sharp	132/294
2,076,549 A	*	4/1937	Conner	215/6
2,211,326 A	*	8/1940	Gillice	220/8
3,048,316 A	*	8/1962	Roos et al.	229/5.5
3,620,399 A	*	11/1971	Rapeaud	215/12.1
3,847,494 A	*	11/1974	Franklin	403/345
4,162,010 A	*	7/1979	Hovsepian	206/229
5,148,941 A	*	9/1992	Chezek	206/235 X

D400,787 S	*	11/1998	Keener	D9/337
6,009,885 A	*	1/2000	Nam	132/293
D424,750 S	*	5/2000	Zalzal	D28/76
D440,016 S	*	4/2001	Thorpe	D28/77
6,286,520 B1	*	9/2001	Lin	132/293
6,422,424 B1	*	7/2002	Sheffler	222/138

* cited by examiner

Primary Examiner—Ted Shooman

Assistant Examiner—Carol Rademaker

(74) *Attorney, Agent, or Firm*—Sturm & Fix LLP

(57) **CLAIM**

The ornamental design for a flask, as shown and described.

DESCRIPTION

A portion of the disclosure of this patent document, including appendices, may contain material which is subject to copyright protection. The copyright owner has no objection to the facsimile reproduction by anyone of the patent document or the patent disclosure, as it appears in the Patent and Trademark Office patent filed or records, but otherwise reserves all copyright rights whatsoever.

FIG. 1 is a perspective view of the flask showing the new design;

FIG. 2 is a top plan view thereof;

FIG. 3 is a bottom plan view thereof;

FIG. 4 is a side elevational view thereof; and,

FIG. 5 is an exploded perspective view showing the internal components of the flask.

1 Claim, 1 Drawing Sheet

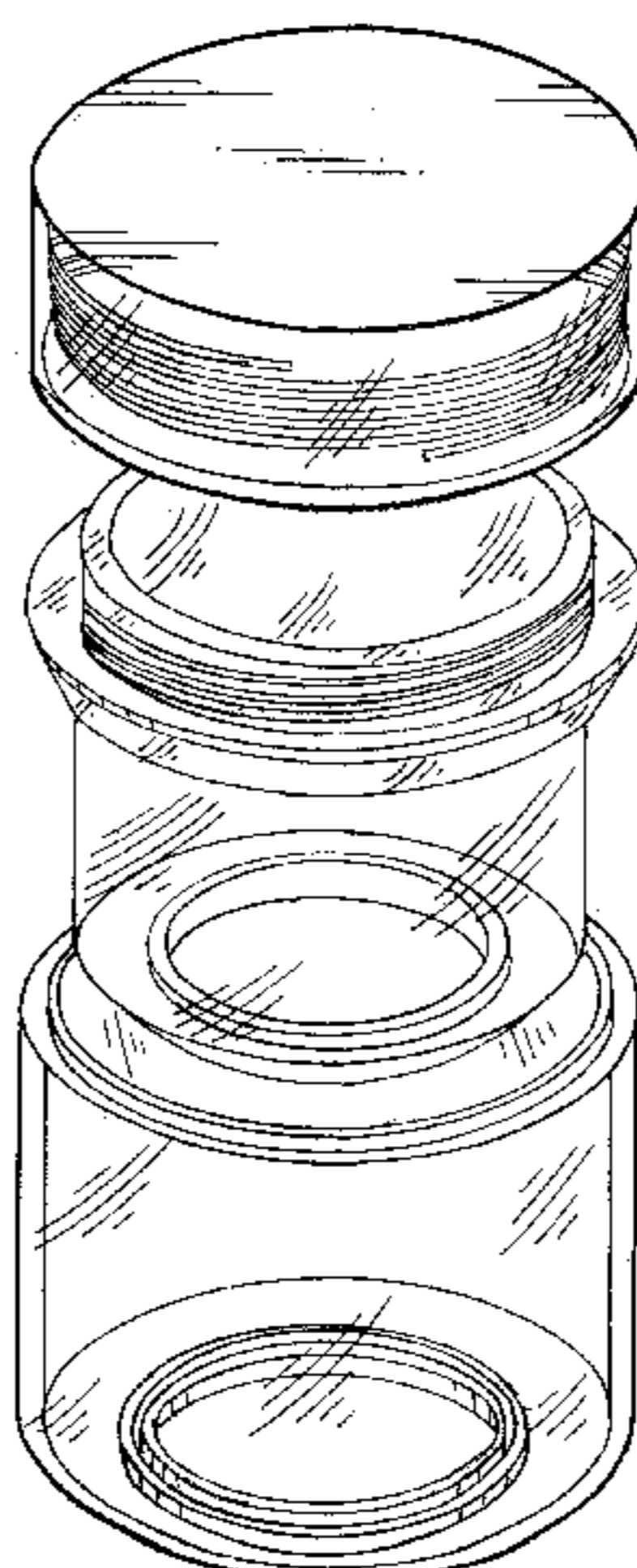
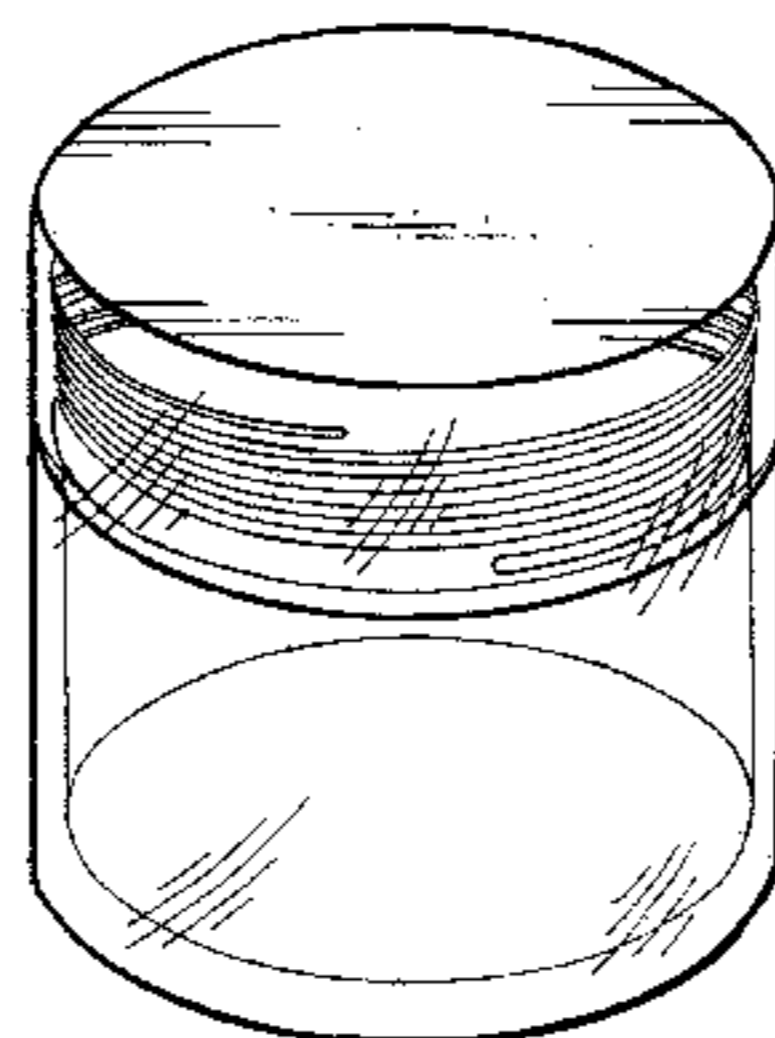


Fig. 1

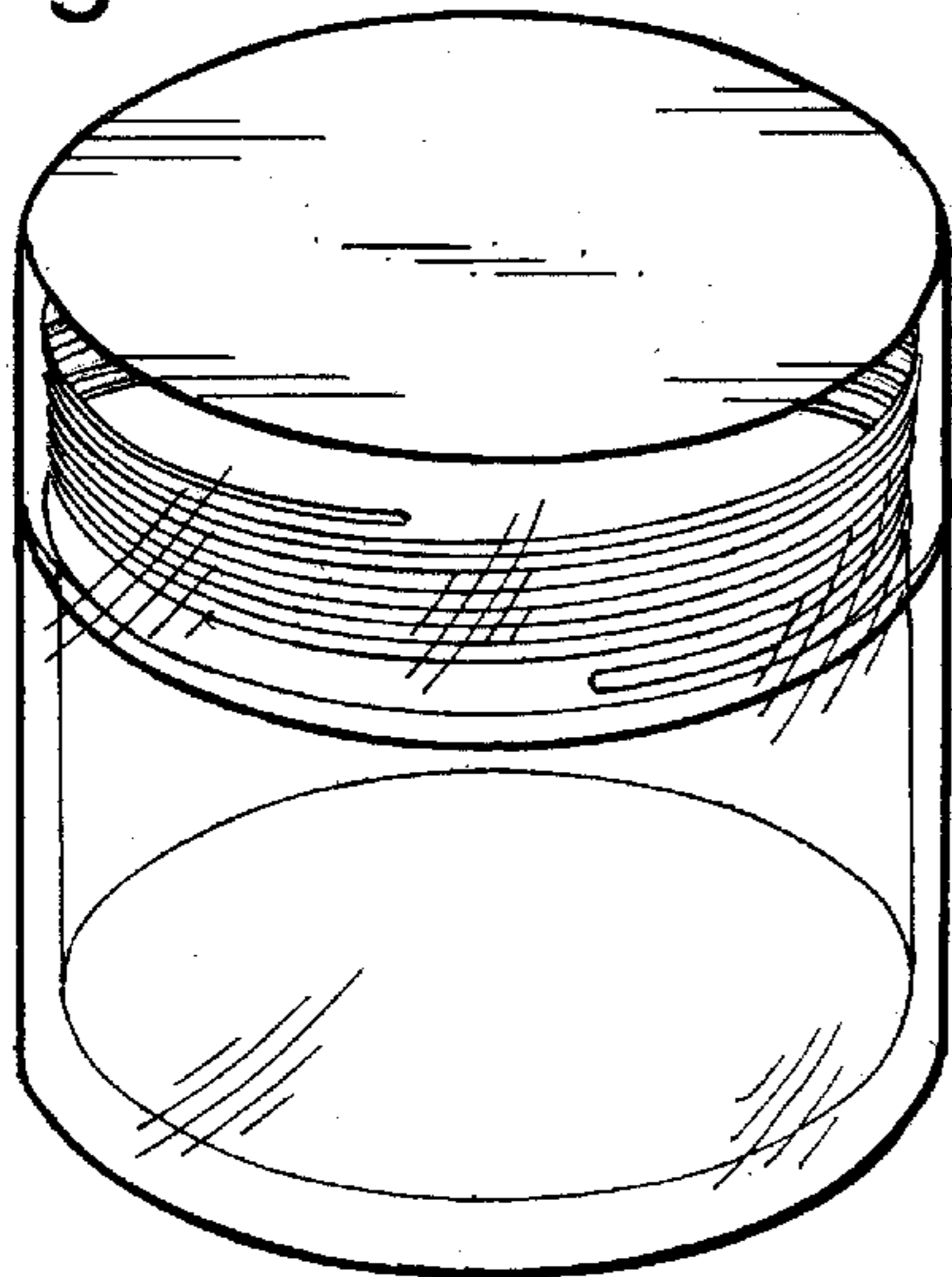


Fig. 2

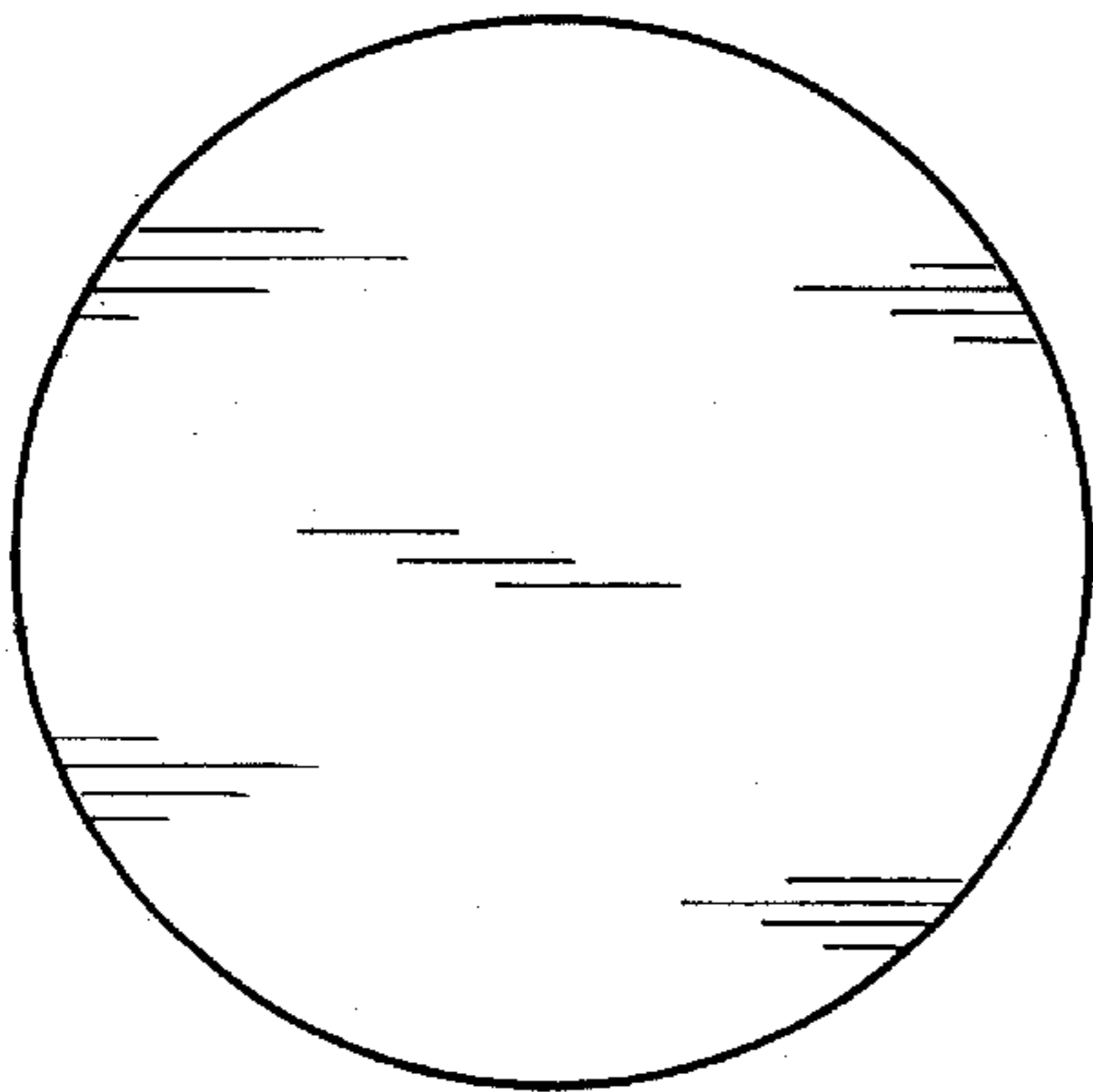


Fig. 3

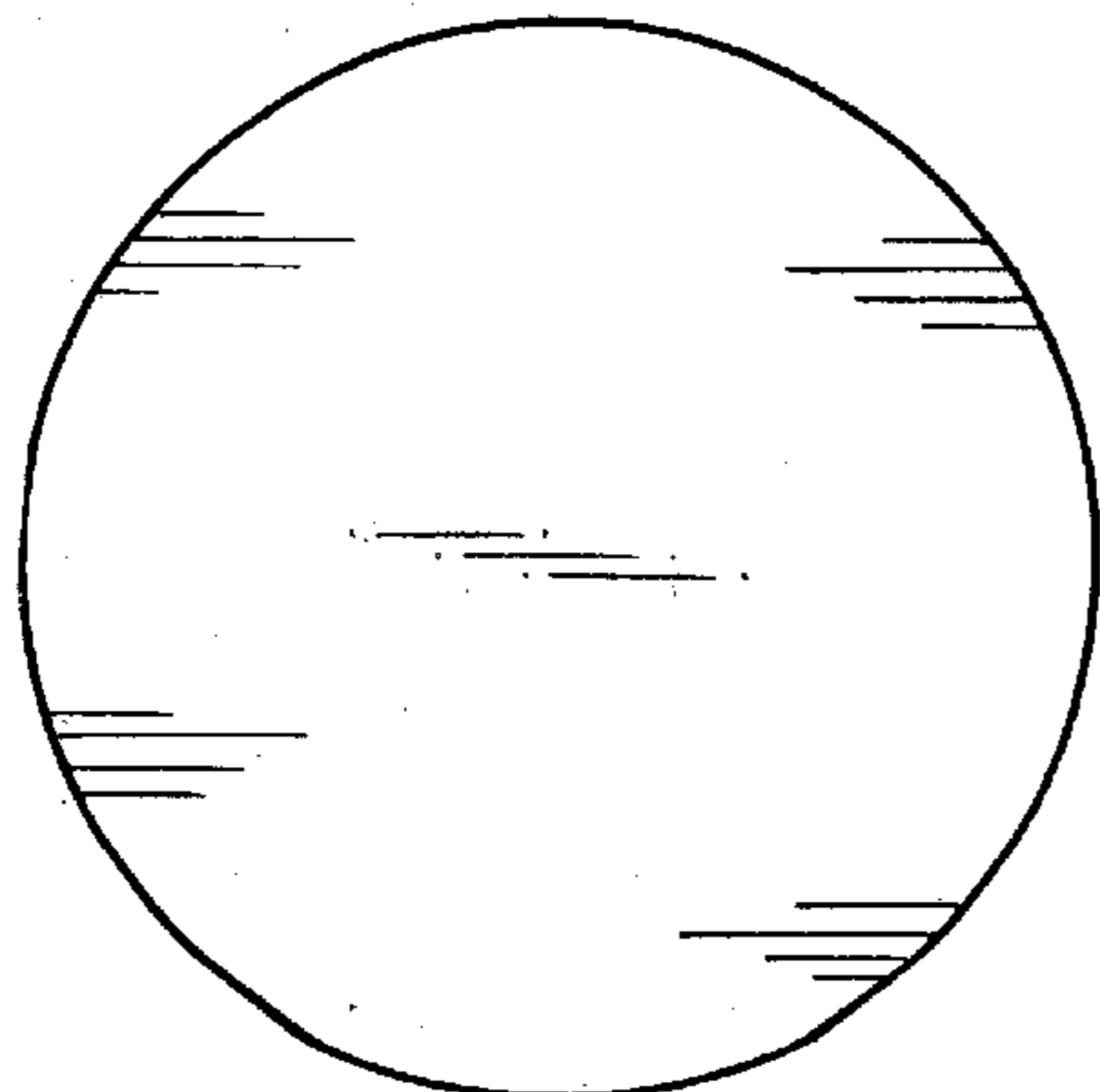


Fig. 4

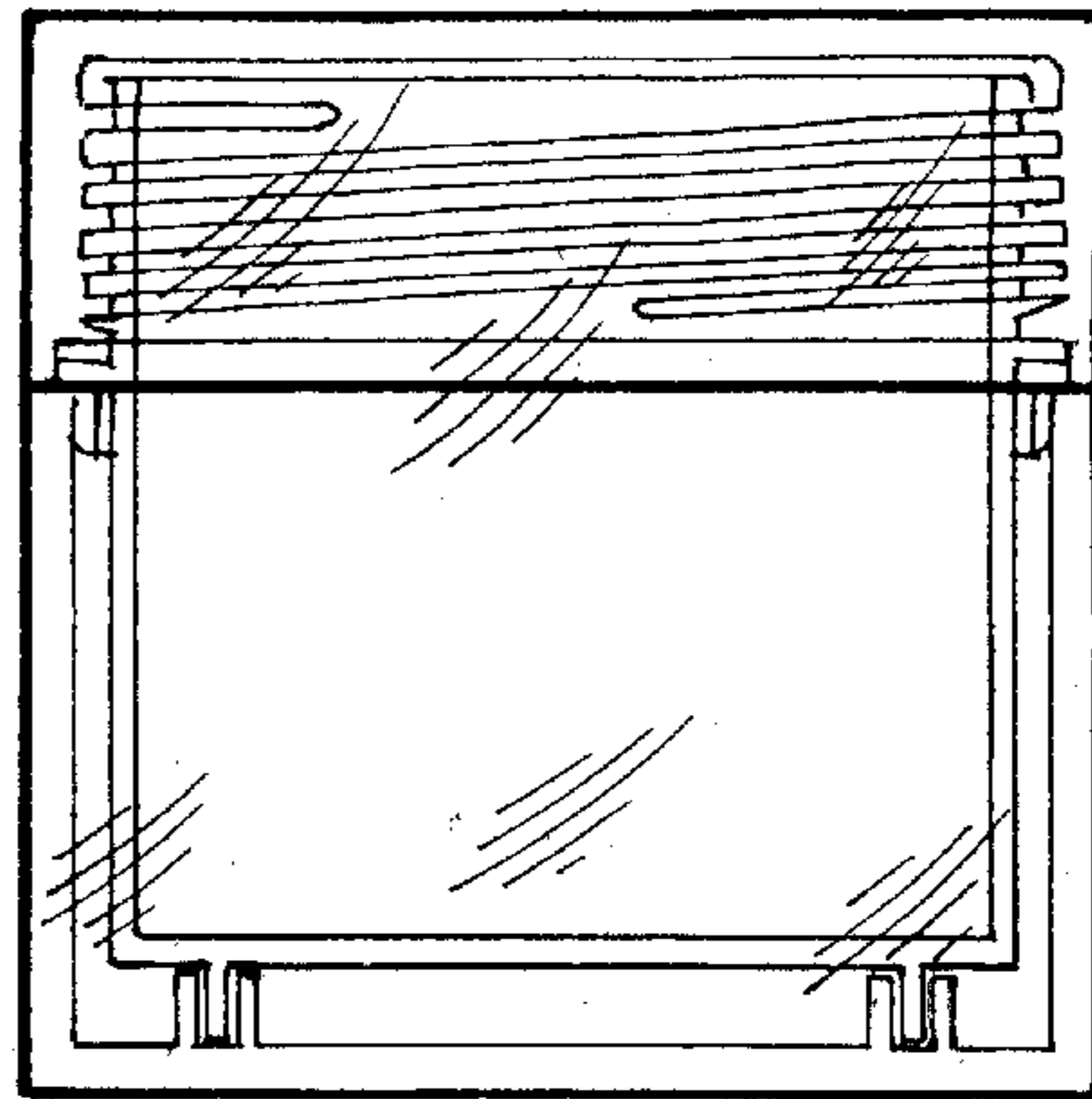


Fig. 5

