



US00D480305S

(12) **United States Design Patent**
Nusbaum et al.

(10) **Patent No.:** **US D480,305 S**
(45) **Date of Patent:** **** Oct. 7, 2003**

(54) **CAP**

D226,555 S * 3/1973 Weber D9/446
D280,802 S * 10/1985 Cho D9/446

(75) Inventors: **Philippe Nusbaum**, Daix (FR);
Yannick Celerier, Aluze (FR); **Jeremy Le Cam**, Dijon (FR)

* cited by examiner

(73) Assignee: **Bericap**, Longvic (FR)

Primary Examiner—Louis S. Zarfaz
Assistant Examiner—Gregory Andoll
(74) *Attorney, Agent, or Firm*—Arent Fox Kintner Plotkin & Kahn

(**) Term: **14 Years**

(21) Appl. No.: **29/174,010**

(57) **CLAIM**

(22) Filed: **Jan. 10, 2003**

The ornamental design for a cap, as shown and described.

(30) **Foreign Application Priority Data**

DESCRIPTION

Jul. 12, 2002 (FR) 02 4315

(51) **LOC (7) Cl.** **09-07**

(52) **U.S. Cl.** **D9/447**; D9/446; D9/435;
D9/453; D9/452; D9/454; D9/449; D9/442

(58) **Field of Search** D9/302, 447, 446,
D9/453, 435, 452, 434, 442, 449; 222/562,
543; 215/316; 220/374

FIG. 1 is a front, elevational view of our new design for a cap;
FIG. 2 is a right side view, the left side view being a mirror image thereof;
FIG. 3 is a rear, elevational view;
FIG. 4 is a three-quarter, front perspective view;
FIG. 5 is a three-quarter, rear perspective view; and,
FIG. 6 is a top, plan view.

(56) **References Cited**

U.S. PATENT DOCUMENTS

3,117,701 A * 1/1964 Stull 222/543

1 Claim, 2 Drawing Sheets

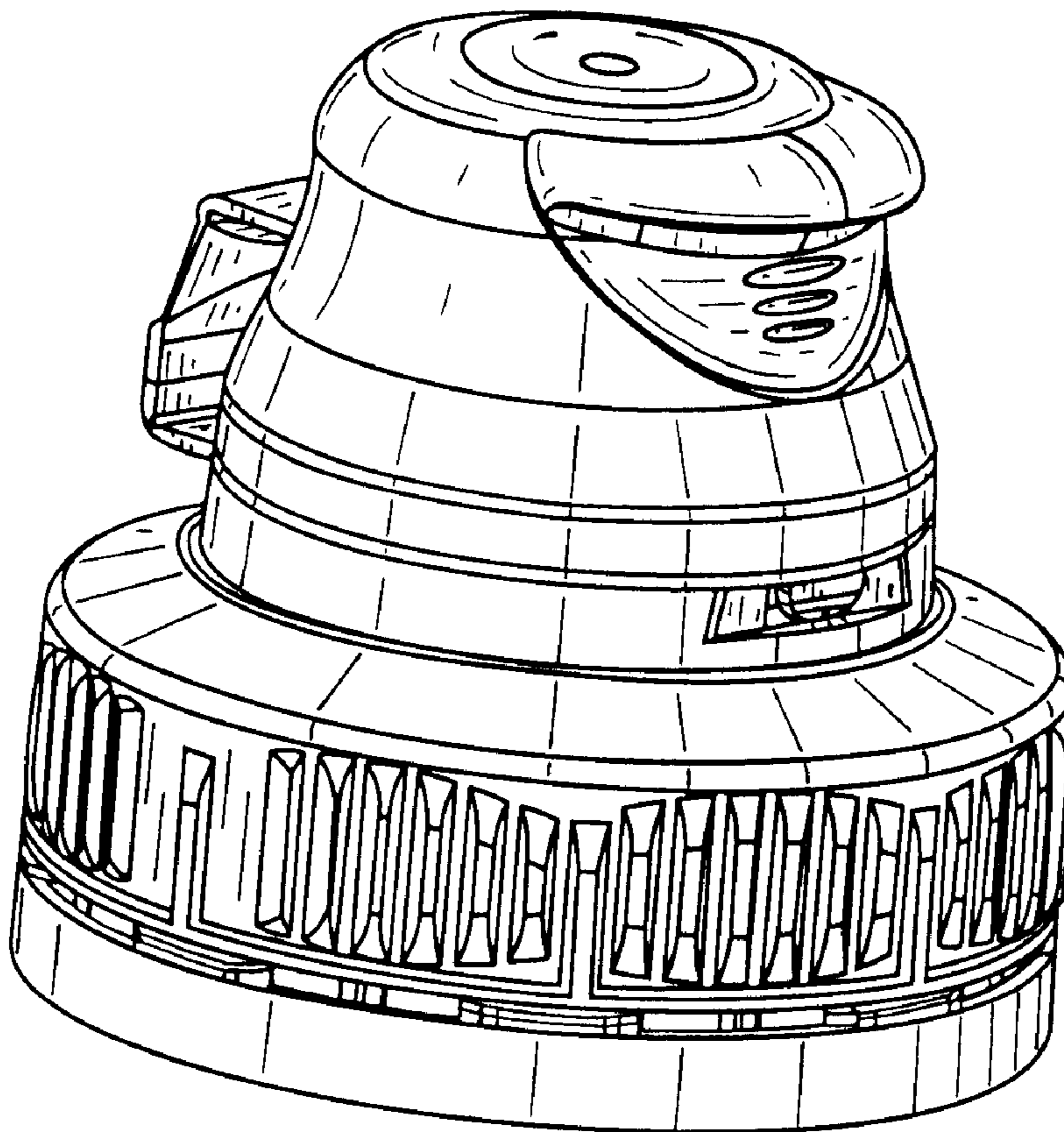


FIG.1

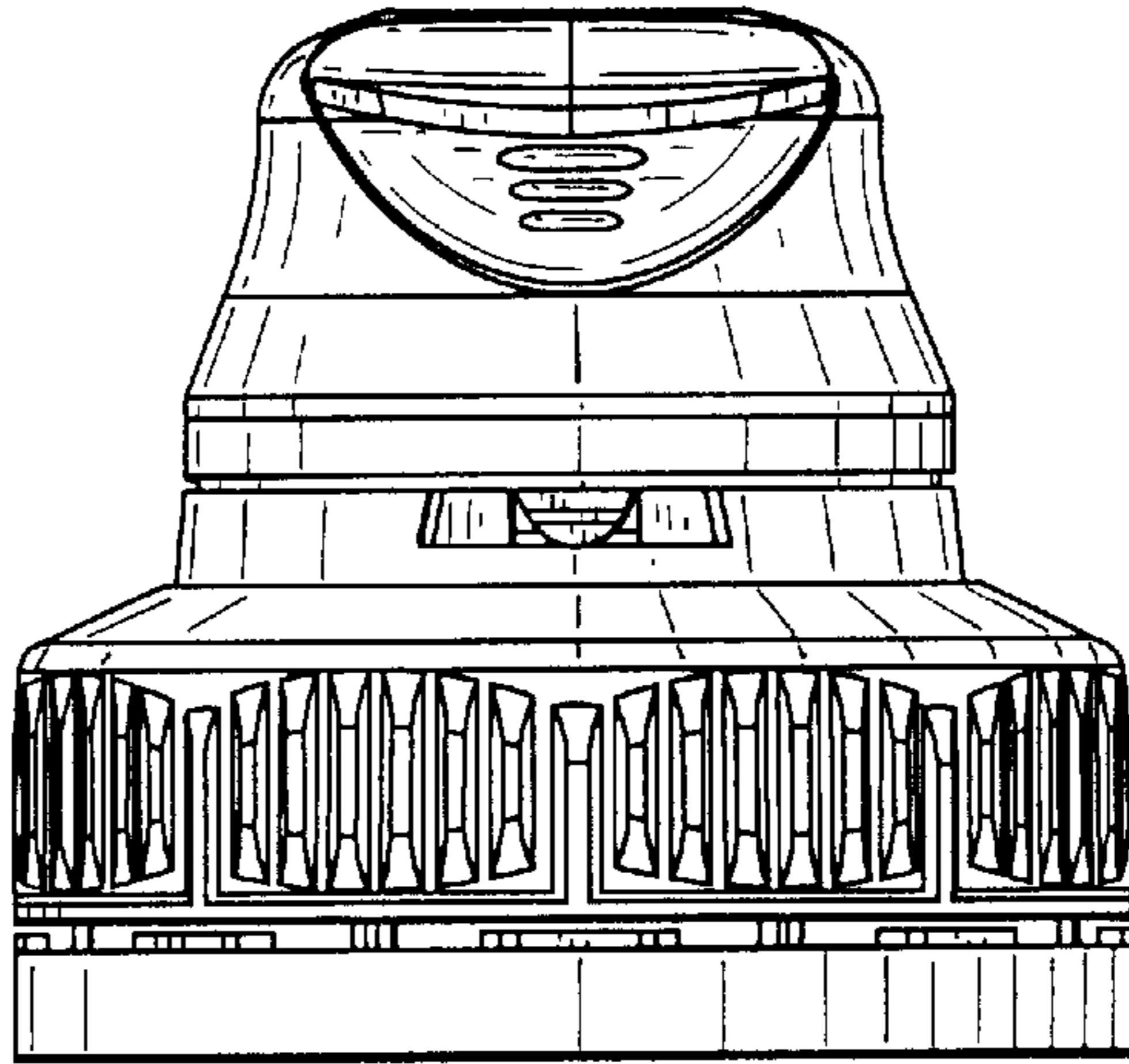


FIG.2

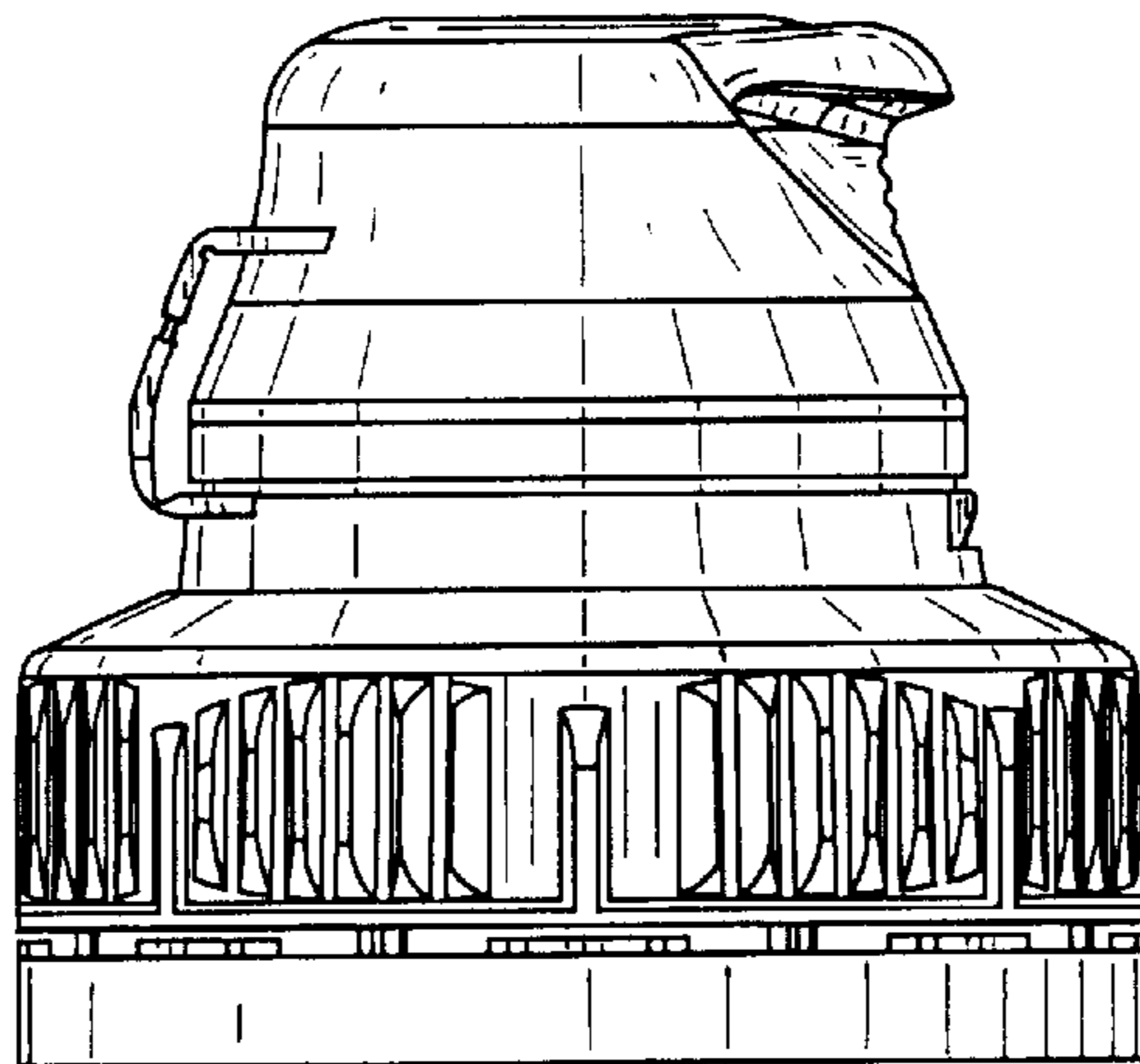


FIG.3

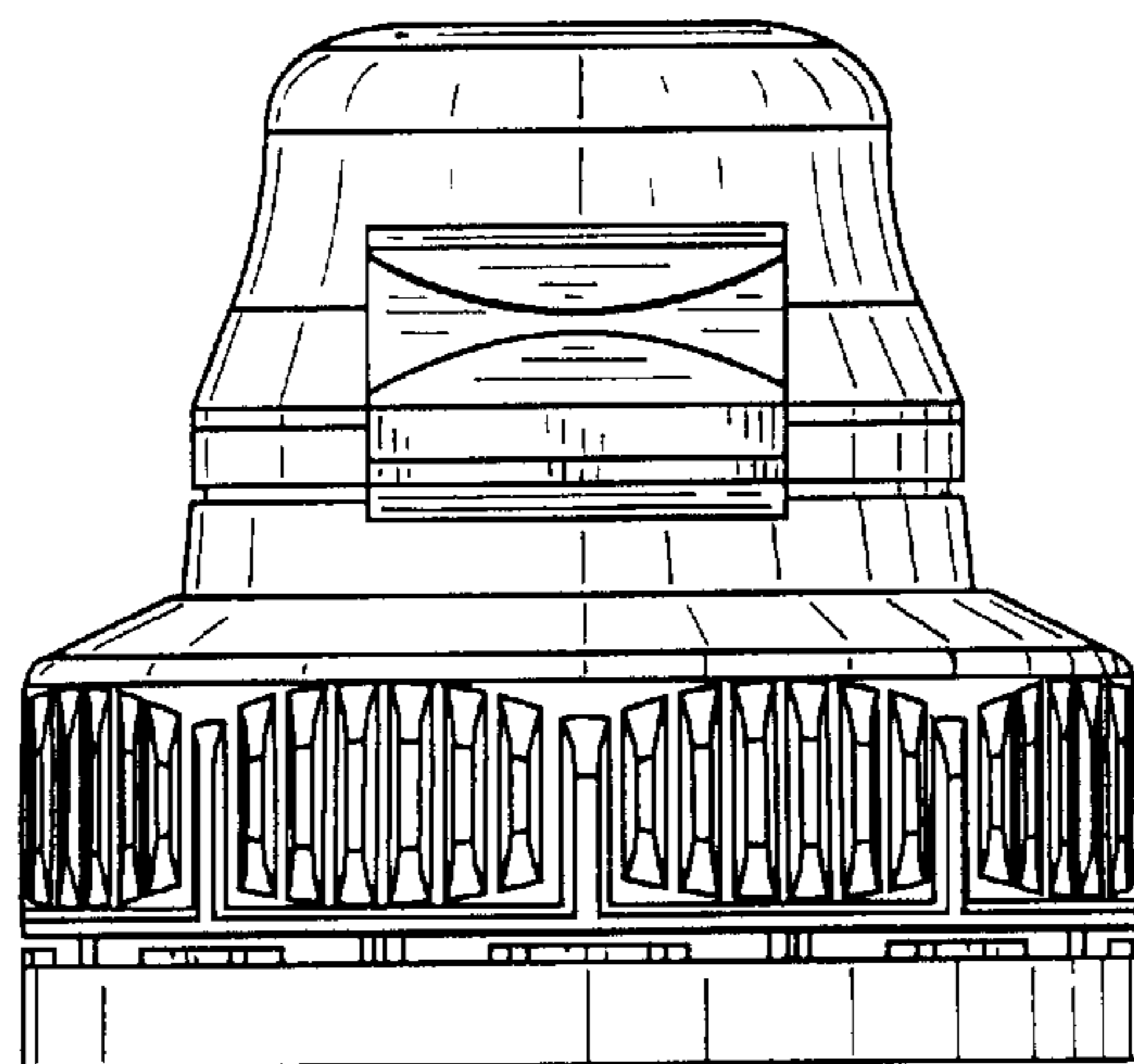


FIG.4

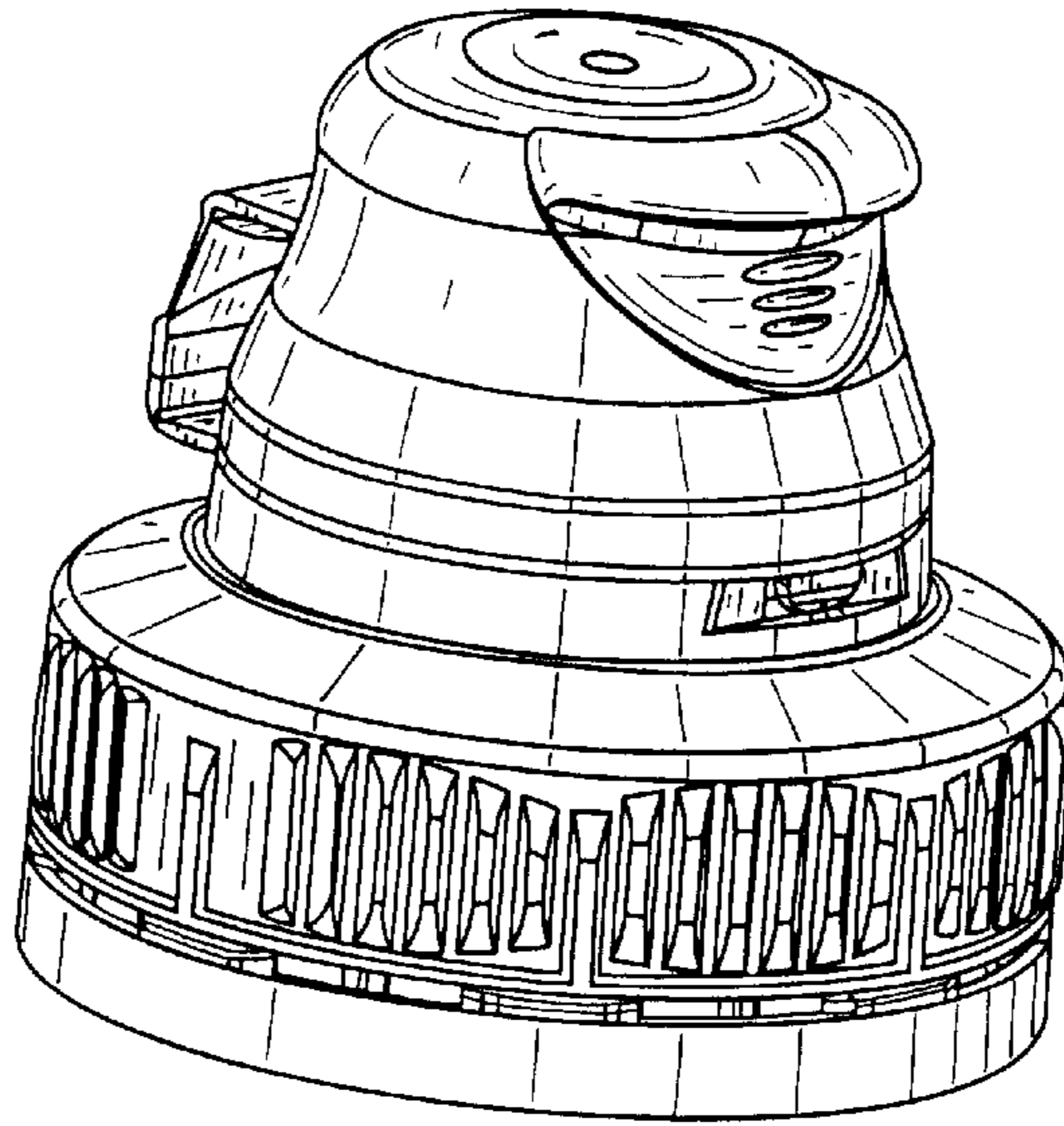


FIG.5

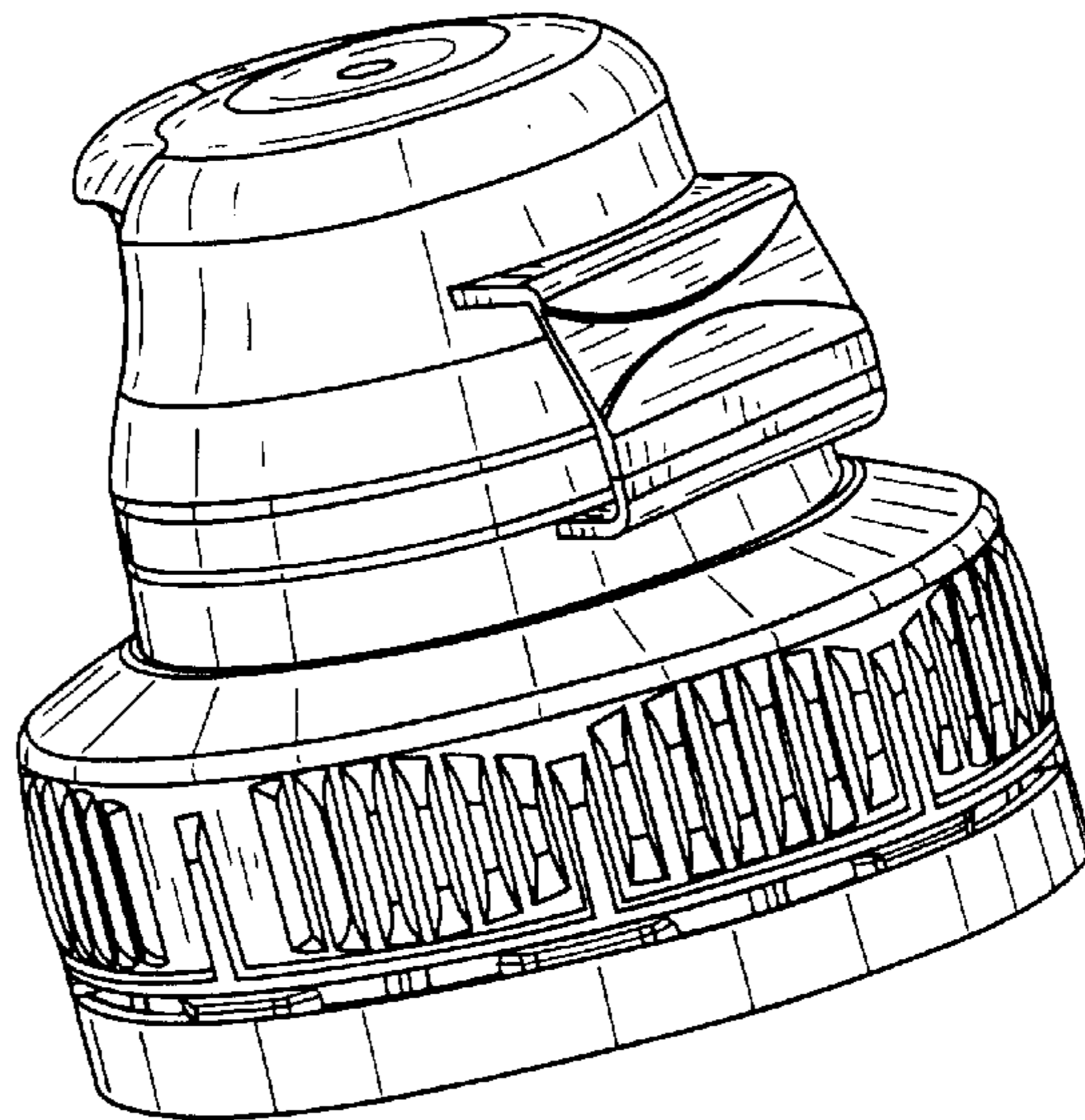


FIG.6

