



US00D480304S

(12) **United States Design Patent**
Stodd

(10) **Patent No.:** **US D480,304 S**

(45) **Date of Patent:** **** *Oct. 7, 2003**

(54) **CAN END**

(75) **Inventor:** **Ralph P. Stodd**, Dayton, OH (US)

(73) **Assignee:** **Container Development, Ltd.**, Dayton, OH (US)

(*) **Notice:** This patent is subject to a terminal disclaimer.

(**) **Term:** **14 Years**

(21) **Appl. No.:** **29/162,493**

(22) **Filed:** **Jun. 18, 2002**

Related U.S. Application Data

(63) Continuation-in-part of application No. 29/153,001, filed on Jan. 4, 2002, now Pat. No. Des. 471,453.

(51) **LOC (7) Cl.** **09-07**

(52) **U.S. Cl.** **D9/434**

(58) **Field of Search** D9/434, 435, 438, D9/454; 220/623, 619, 615

(56) **References Cited**

U.S. PATENT DOCUMENTS

3,301,464 A	1/1967	Amberg
3,409,168 A	11/1968	Chmielowiec
3,814,279 A	6/1974	Rayzal
D236,952 S	9/1975	Debenham
4,270,475 A	6/1981	Fletcher et al.

D277,826 S	3/1985	Brown	
4,809,861 A	* 3/1989	Wilkinson et al.	220/623
D374,822 S	10/1996	Philips	
D387,987 S	12/1997	Neiner	
D406,236 S	3/1999	Brifcani et al.	
D415,026 S	10/1999	Turner et al.	
5,971,259 A	* 10/1999	Bacon	220/619
D423,932 S	5/2000	Miura	
D452,155 S	12/2001	Stodd	
6,419,110 B1	* 7/2002	Stodd	220/623
D471,453 S	* 3/2003	Stodd	D9/434

* cited by examiner

Primary Examiner—Louis S. Zarfaz

Assistant Examiner—Gregory Andoll

(74) *Attorney, Agent, or Firm*—Jacox, Meckstroth & Jenkins

(57) **CLAIM**

The ornamental design of a can end, as shown and described.

DESCRIPTION

FIG. 1 is a perspective view of a can end showing my new design;

FIG. 2 is a top view thereof;

FIG. 3 is a bottom view thereof;

FIG. 4 is a side view thereof;

FIG. 5 is a sectional view thereof, taken on the line 5—5 of FIG. 2; and,

FIG. 6 is a greatly enlarged fragmentary section view taken on line 6—6 of FIG. 2.

1 Claim, 3 Drawing Sheets

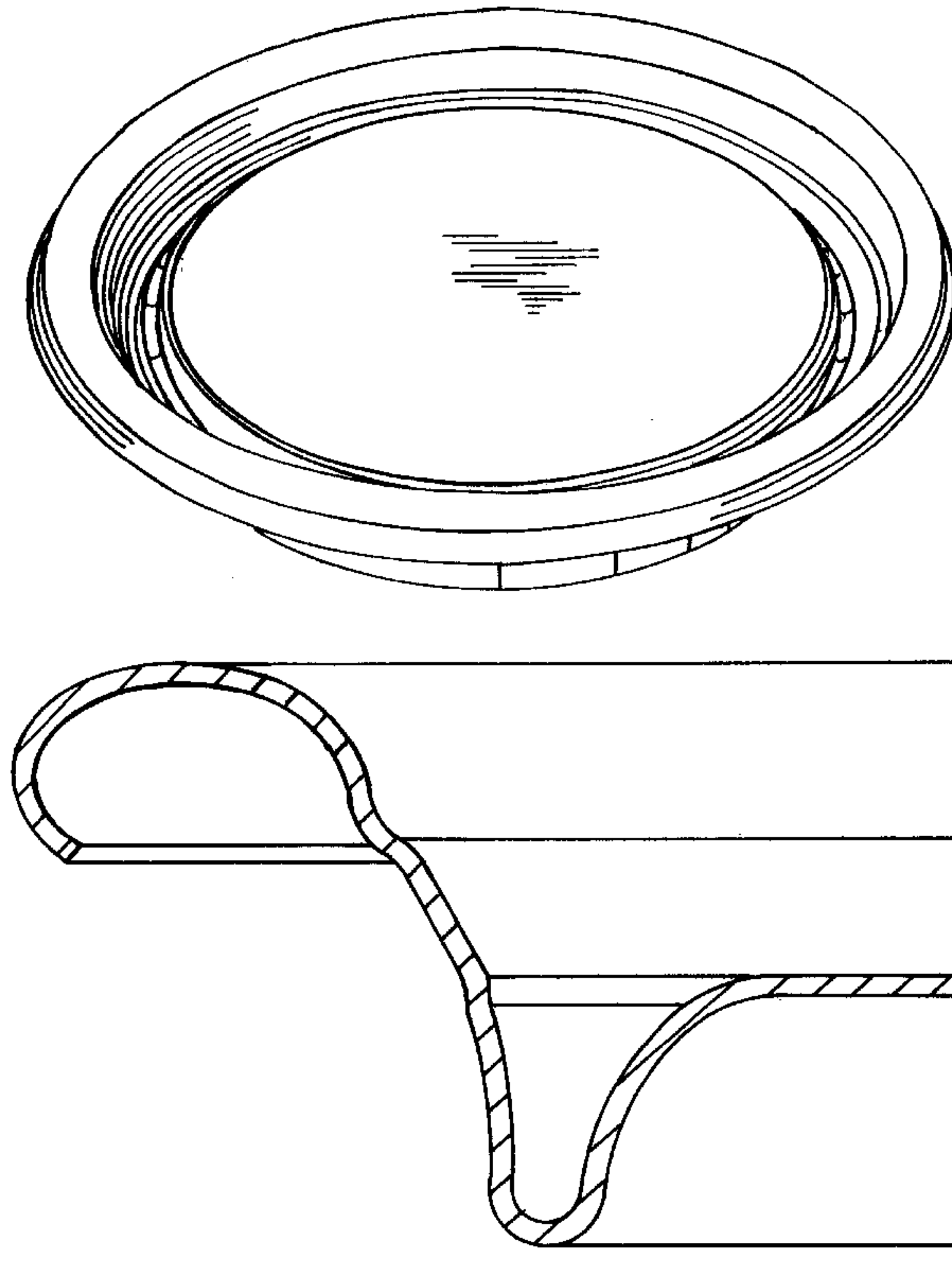


FIG-1

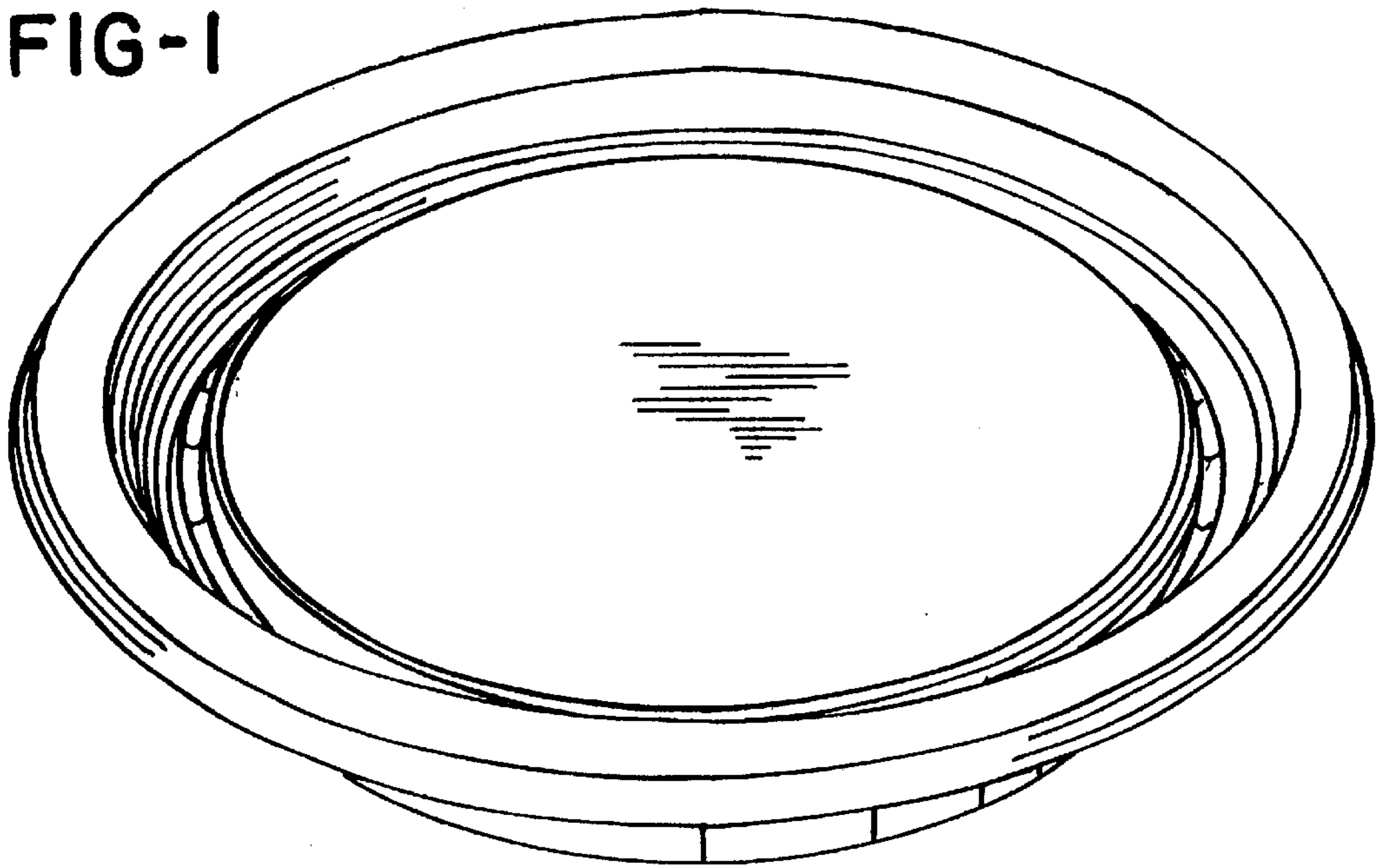


FIG-2

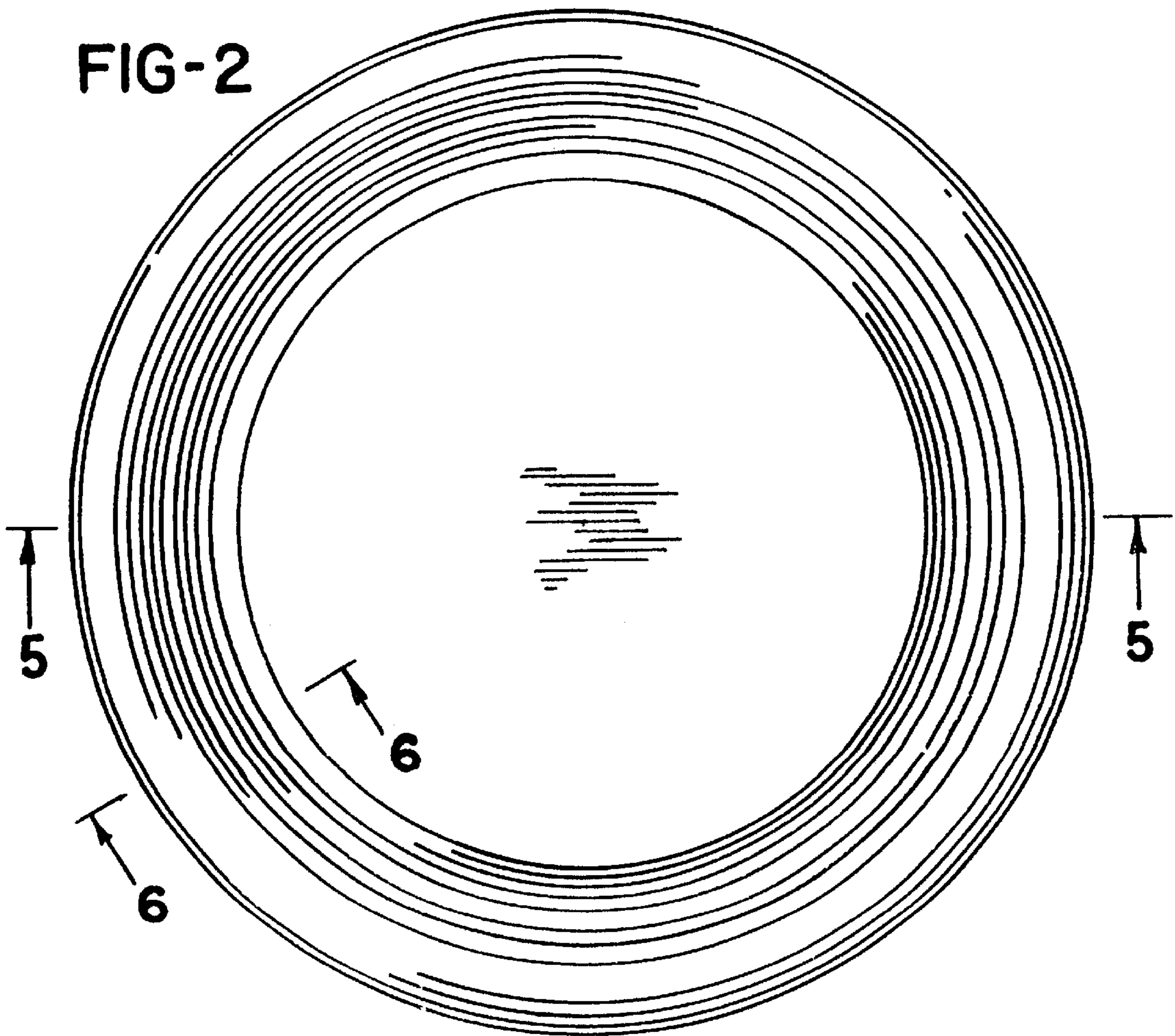


FIG-3

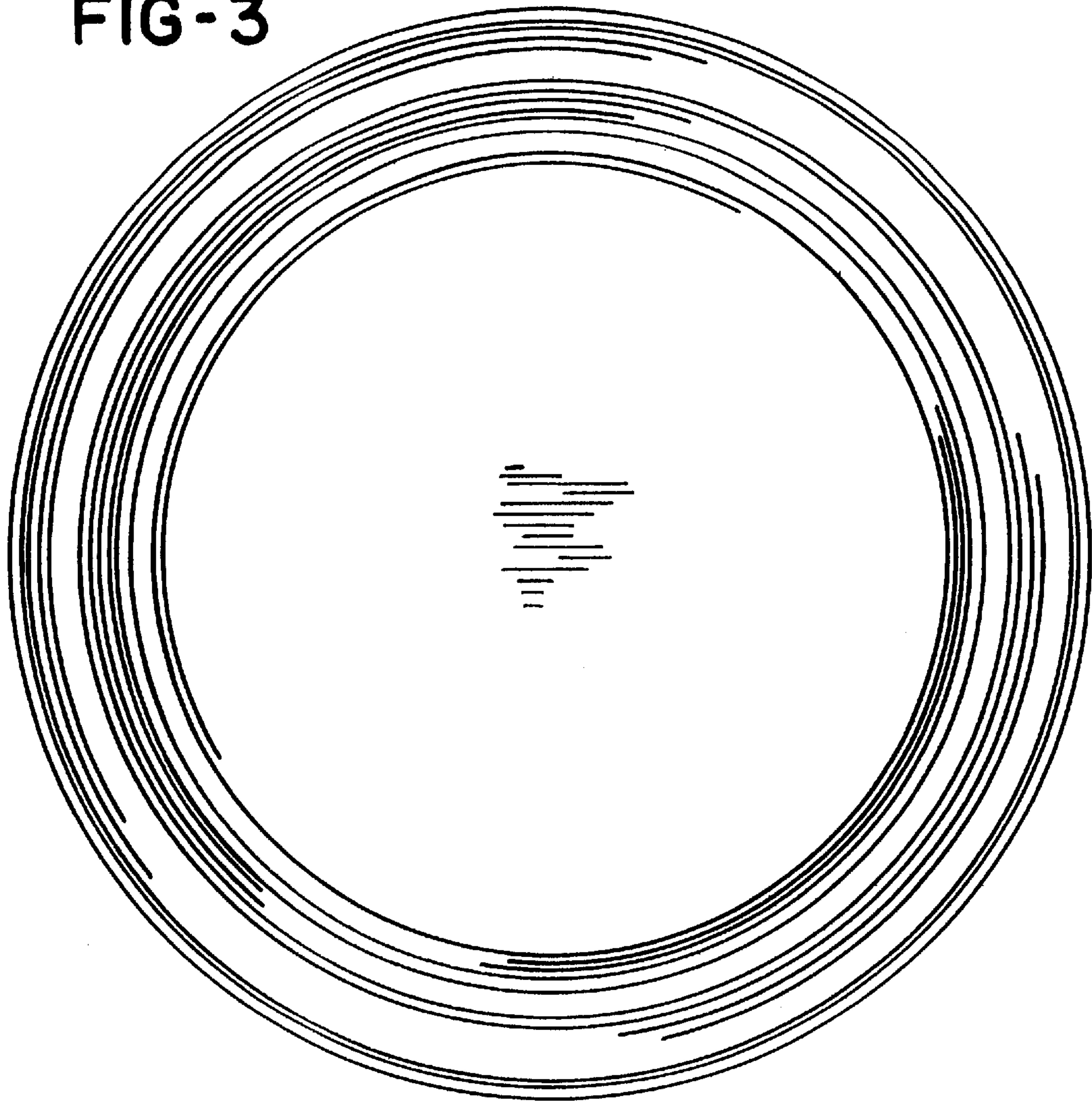


FIG-4

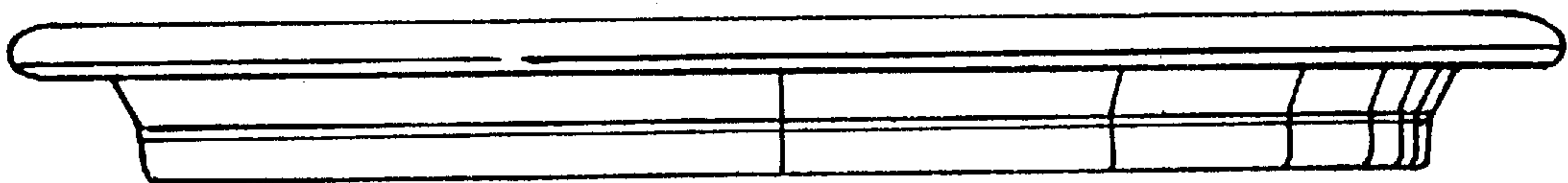


FIG-5

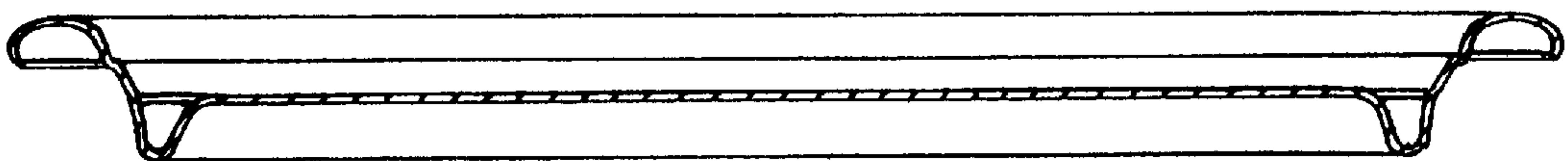


FIG-6

