



US00D480302S

(12) **United States Design Patent**  
**McLeish**

(10) **Patent No.: US D480,302 S**

(45) **Date of Patent: \*\* Oct. 7, 2003**

(54) **CONTAINER**

(75) **Inventor: Andrew Robert McLeish, Sheffield (GB)**

(73) **Assignee: Reckitt Benckiser (UK) Limited, Berkshire**

(\*\*) **Term: 14 Years**

(21) **Appl. No.: 29/157,120**

(22) **Filed: Mar. 12, 2002**

(51) **LOC (7) Cl. .... 09-03**

(52) **U.S. Cl. .... D9/418; D9/430**

(58) **Field of Search** ..... D9/428, 429, 430, D9/341, 423-426, 346, 432, 418; D7/601, 602, 629; 206/216, 541, 508, 518, 557, 822, 521.1, 521.2, 823, 769, 776, 777; 229/406, 407, 4.5, 5.5, 902-906, 938, 116.1, 162; 220/4.21-4.27, 556, 244, 781, 669, 836-842, 674, 675, 912, 662; 426/106, 129, 130

(56) **References Cited**

**U.S. PATENT DOCUMENTS**

3,587,122 A \* 6/1971 Humphrey ..... 220/662  
4,143,805 A \* 3/1979 Sutton ..... 220/4.21

4,508,216 A \* 4/1985 Kelman ..... 220/665  
D280,704 S \* 9/1985 Dalton ..... D9/423  
5,261,848 A \* 11/1993 Kaplan et al. .... 220/662  
5,755,327 A \* 5/1998 Saltzman et al. .... 206/457  
6,119,865 A \* 9/2000 Kawada ..... 206/303  
D438,378 S \* 3/2001 Charness ..... D9/418  
D455,552 S \* 4/2002 Charness ..... D9/418  
D455,651 S \* 4/2002 Ma ..... D9/418  
D455,955 S \* 4/2002 Hood et al. .... D9/418  
6,450,343 B1 \* 9/2002 Arnaldi ..... 206/769

\* cited by examiner

*Primary Examiner*—Prabhakar Deshmukh  
(74) *Attorney, Agent, or Firm*—Akin, Gump, Strauss, Hauer & Feld, L.L.P.

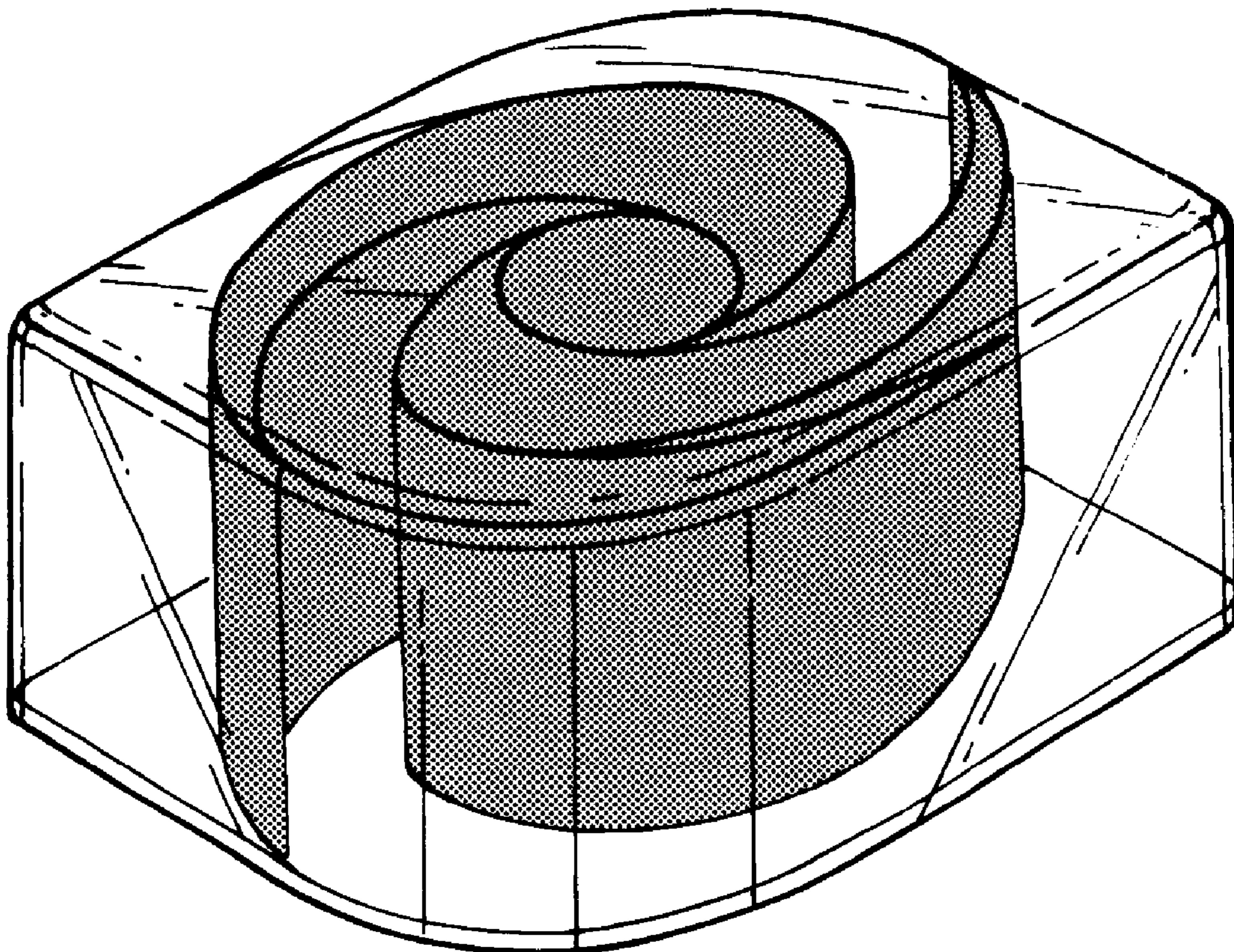
(57) **CLAIM**

The ornamental design for a container, as shown and described.

**DESCRIPTION**

FIG. 1 is a top perspective view of a container in accordance with my new design;  
FIG. 2 is a right side elevational view thereof, a left side elevational view being a mirror image thereof;  
FIG. 3 is a top plan view thereof; and,  
FIG. 4 is a bottom plan view thereof.

**1 Claim, 2 Drawing Sheets**





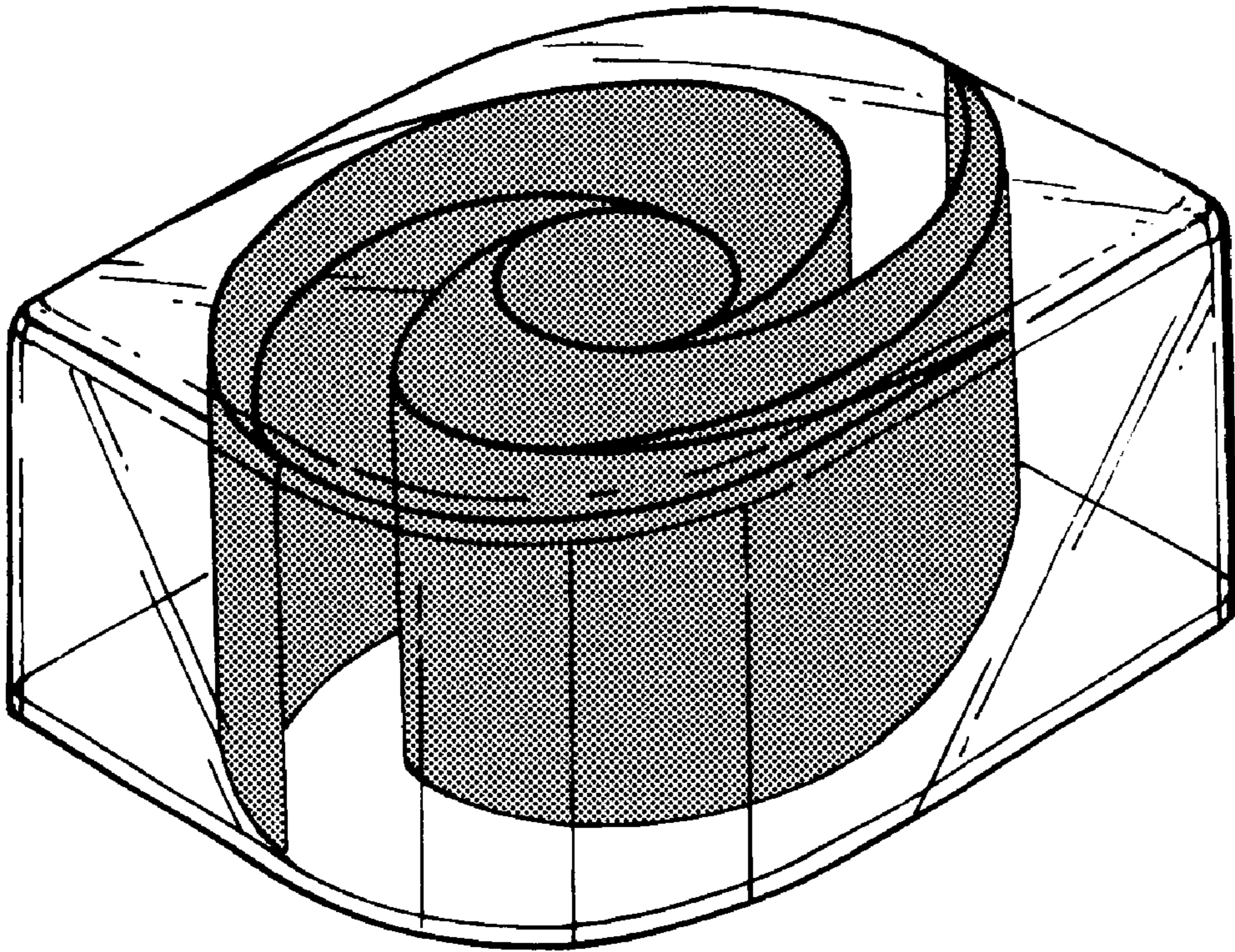


Fig.1.

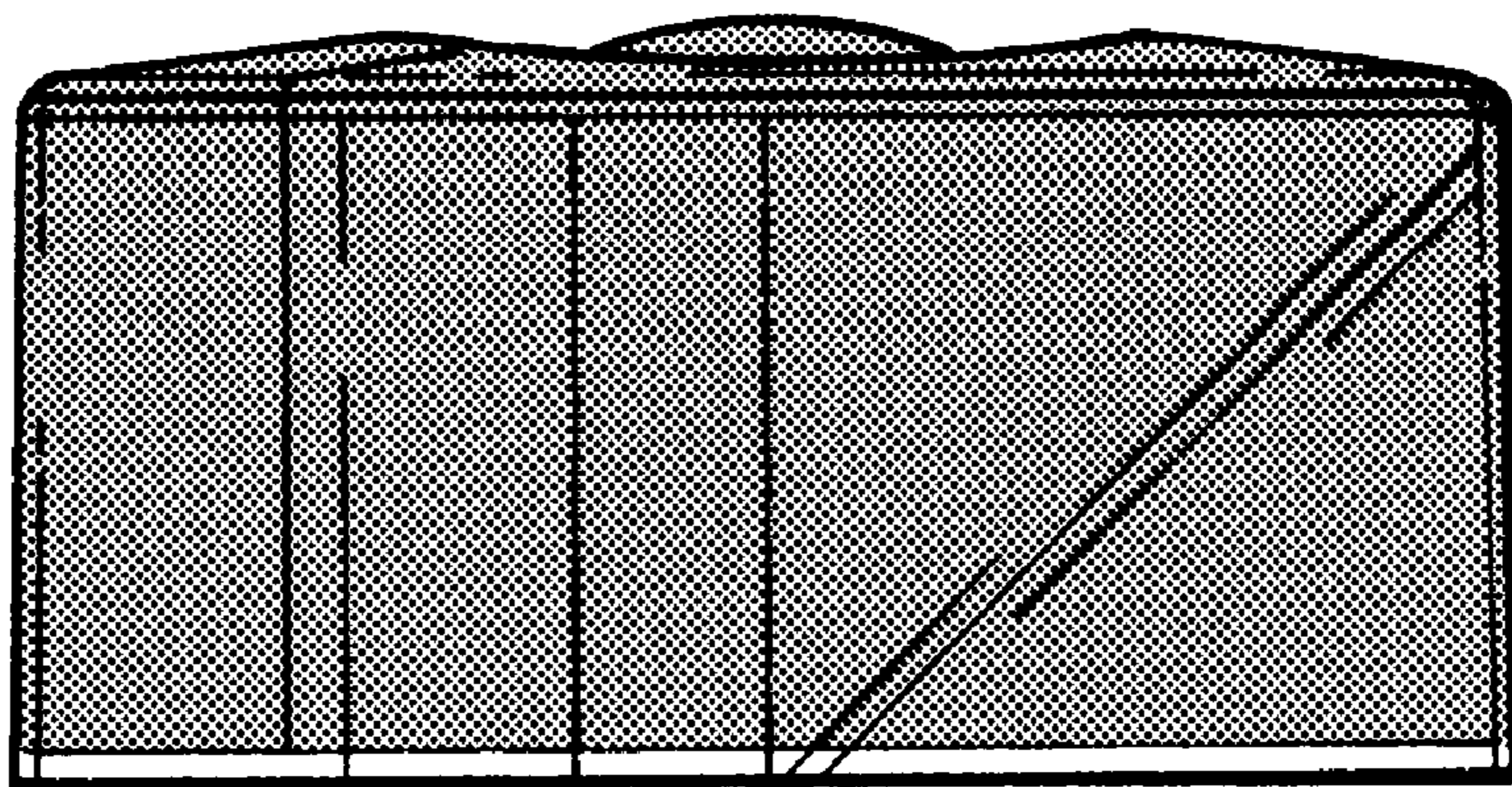


Fig.2.



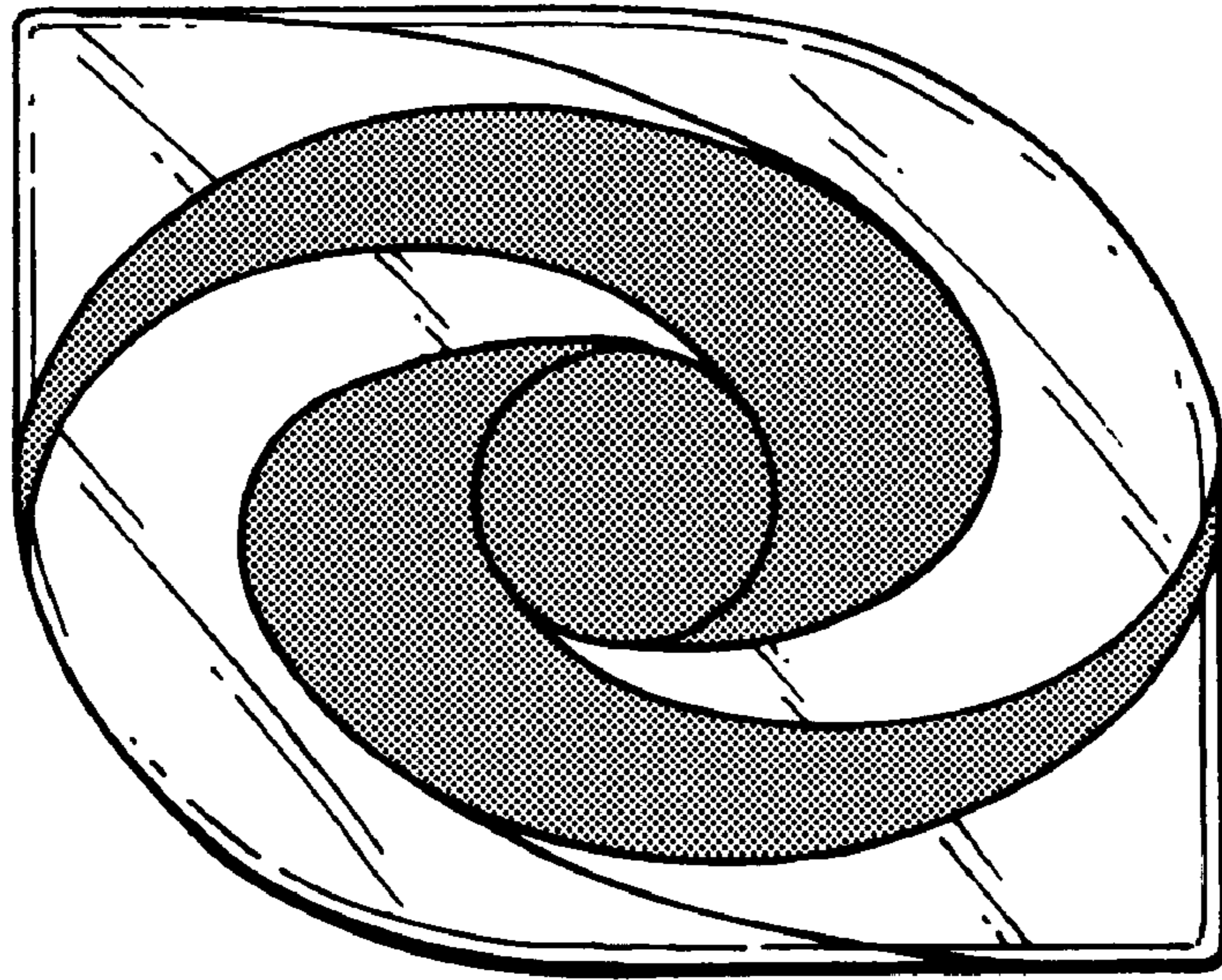


Fig.3.

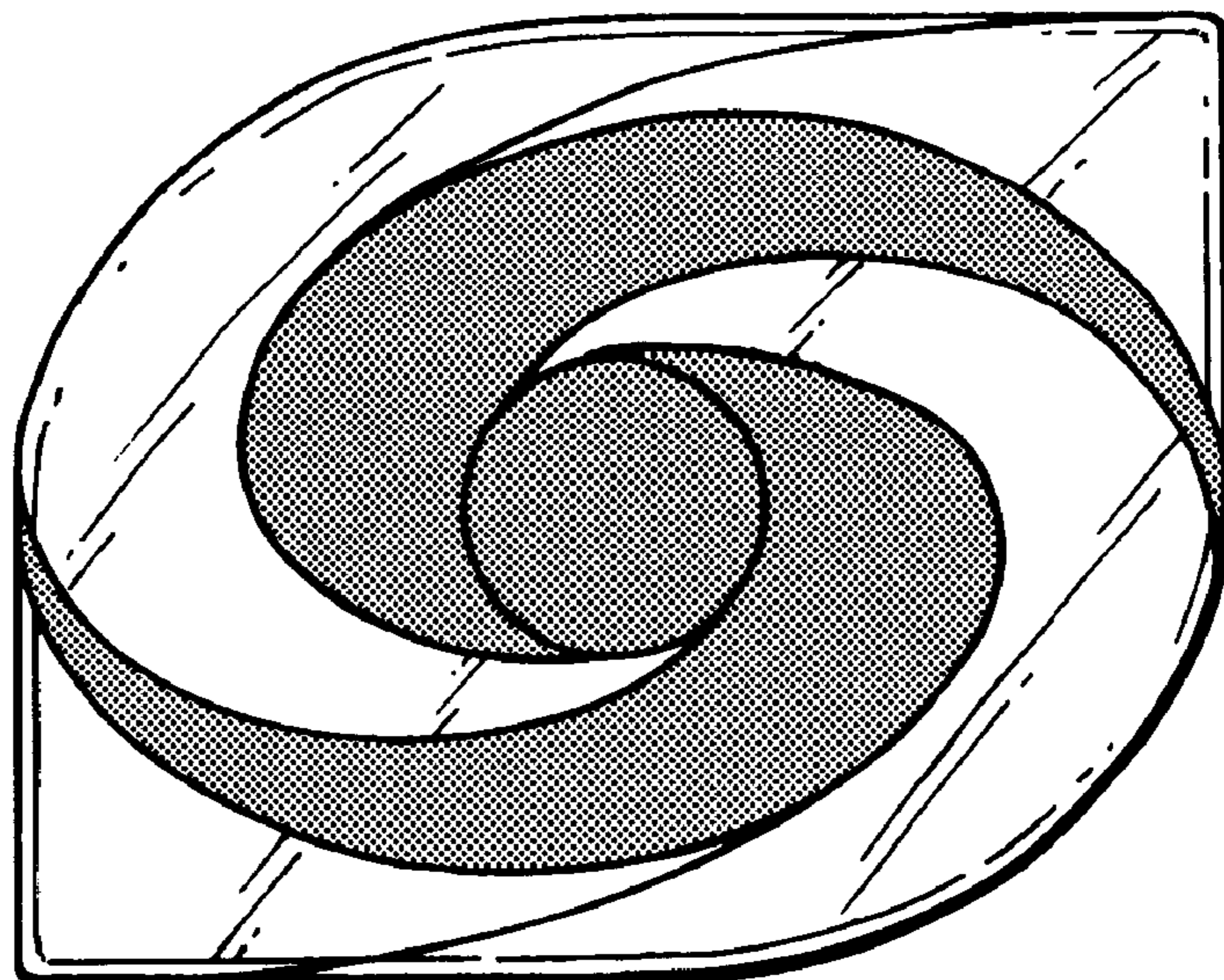


Fig.4.