



US00D480301S

(12) **United States Design Patent**
Pratt

(10) **Patent No.:** **US D480,301 S**

(45) **Date of Patent:** **** Oct. 7, 2003**

(54) **PACKAGE FOR BOLTS, SCREWS AND DRILL BITS**

(75) Inventor: **David C. Pratt**, Savery, WY (US)

(73) Assignee: **Rex Realty Co.**, St. Louis, MO (US)

(**) Term: **14 Years**

(21) Appl. No.: **29/178,799**

(22) Filed: **Mar. 31, 2003**

3,325,000 A *	6/1967	Edwards	206/464
4,341,308 A *	7/1982	Pasquin	206/485
4,722,733 A	2/1988	Howson	
D294,465 S	3/1988	Hill	
D310,641 S *	9/1990	Miller et al.	D9/341
4,958,731 A	9/1990	Calcerano	
5,048,684 A	9/1991	Scott	
5,121,835 A	6/1992	Grupe	
D328,026 S	7/1992	Stenstrom	
5,320,223 A	6/1994	Allen	
5,429,233 A	7/1995	Juaristi	
D432,009 S	10/2000	Pirro et al.	

* cited by examiner

Related U.S. Application Data

(62) Division of application No. 29/144,323, filed on Jun. 28, 2001, now Pat. No. Des. 476,227.

(51) **LOC (7) Cl.** **09-03**

(52) **U.S. Cl.** **D9/415; D9/348; D9/347**

(58) **Field of Search** D9/415, 418, 341, D9/346, 347; 206/461-471, 806, 205, 206, 211, 230, 234, 349, 372-379

Primary Examiner—Prabhakar Deshmukh

(74) *Attorney, Agent, or Firm*—Greenfelder, Hemker & Gale, P.C.

(57) **CLAIM**

The ornamental design for a package for bolts, screws and drill bits, as shown and described.

DESCRIPTION

FIG. 1 is a perspective view of a package for bolts, screws and drill bits showing my new design.

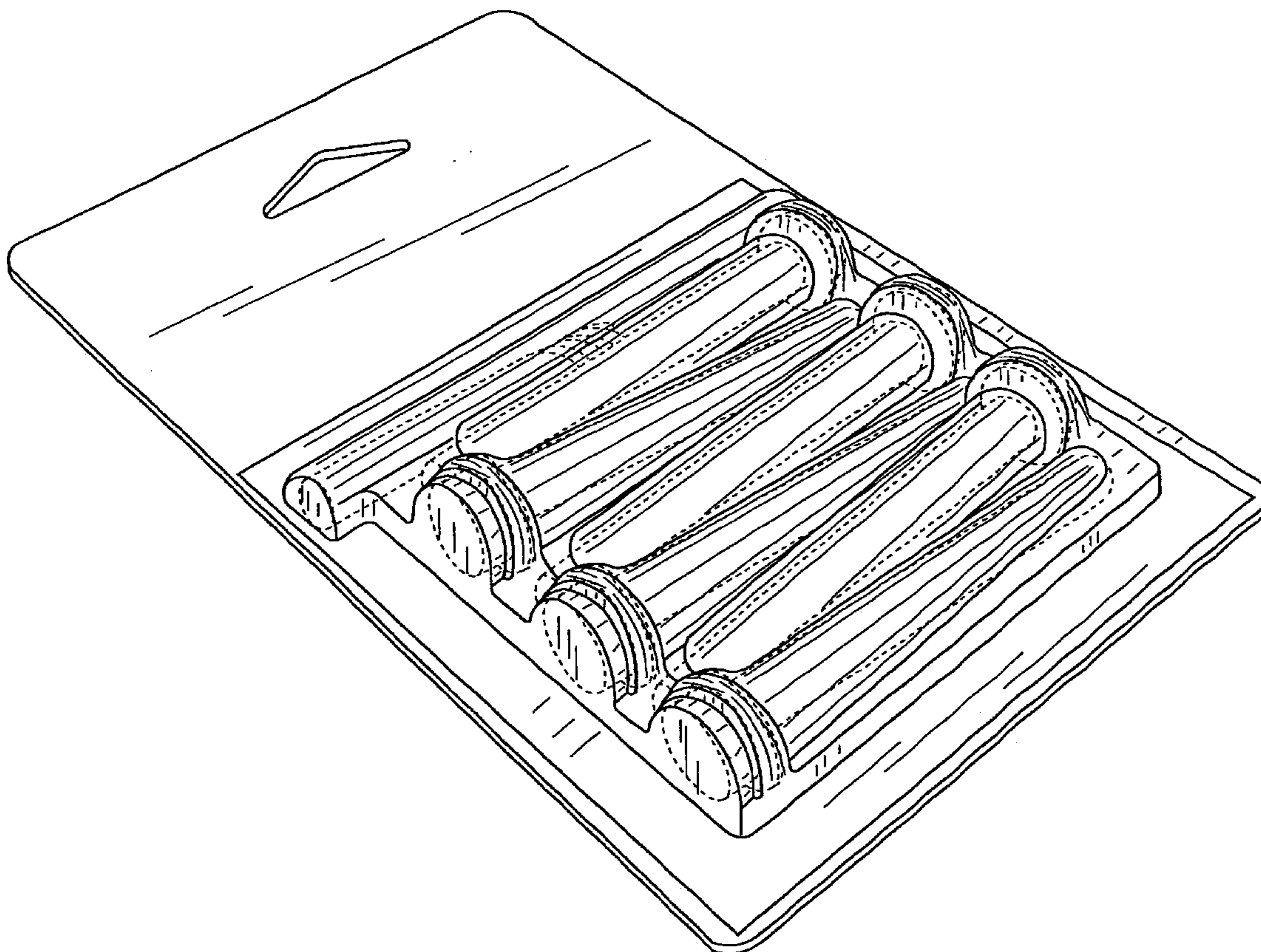
The bottom is flat and unornamented. The broken lines are for illustrative purpose only and form no part of the claimed design.

(56) **References Cited**

U.S. PATENT DOCUMENTS

D22,581 S	4/1893	O'Connor	
D185,890 S	8/1959	Barton	
2,985,296 A *	5/1961	Kahn	206/470
3,074,540 A *	1/1963	Beich et al.	206/469
D197,862 S	3/1964	Wills, Jr. et al.	

1 Claim, 1 Drawing Sheet



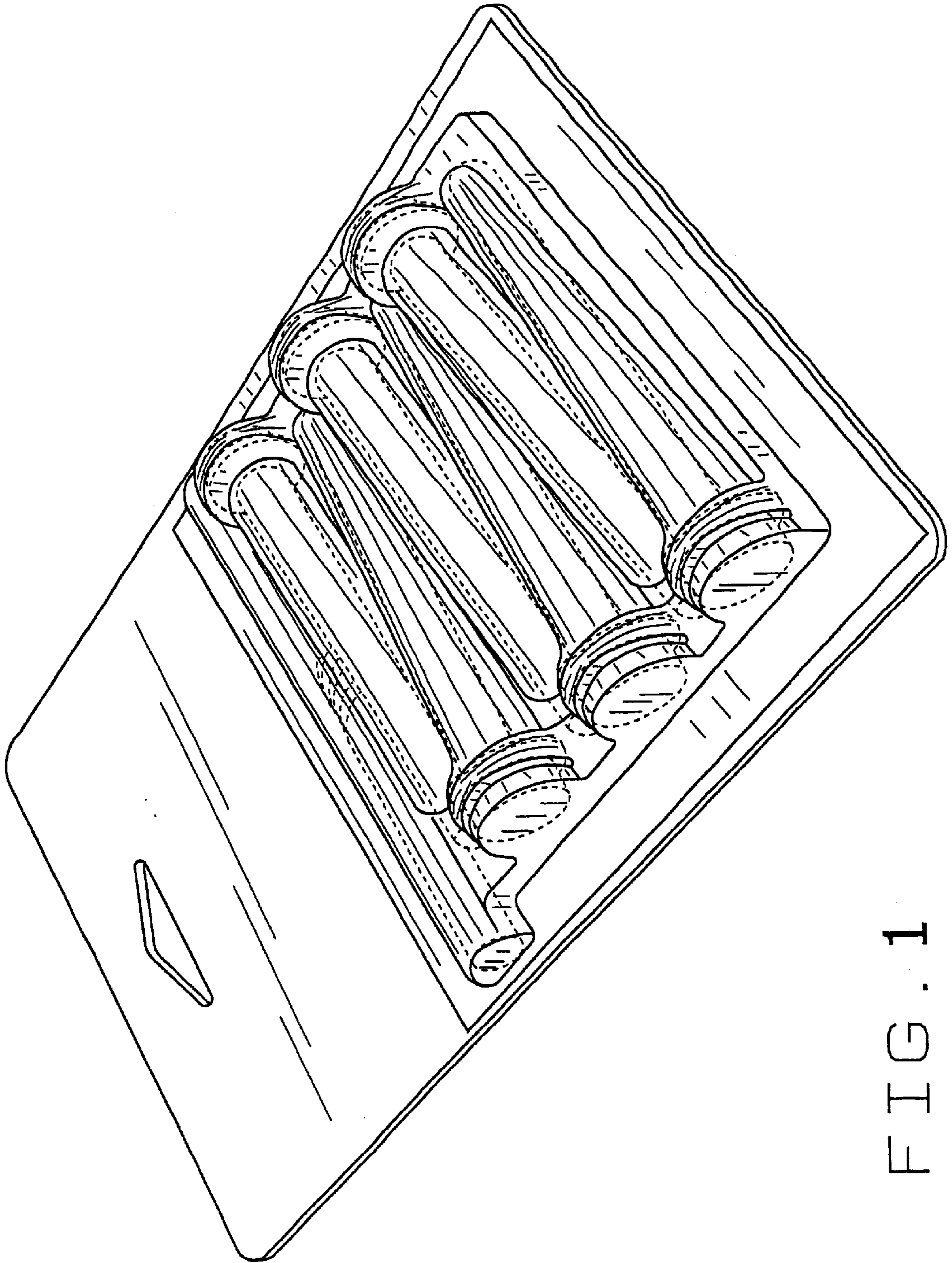


FIG. 1