



US00D480298S

(12) **United States Design Patent**  
**Skovronski et al.**

(10) **Patent No.:** **US D480,298 S**

(45) **Date of Patent:** **\*\* Oct. 7, 2003**

(54) **PIPE CLAMP**

(75) Inventors: **Jonathan Skovronski**, Paddock Lake, WI (US); **Paul Rumachik**, Kenosha, WI (US)

(73) Assignee: **Adolph Kiefer & Associates, Inc.**, Zion, IL (US)

(\*\*) Term: **14 Years**

(21) Appl. No.: **29/153,965**

(22) Filed: **Jan. 14, 2002**

(51) **LOC (7) Cl.** ..... **68-08**

(52) **U.S. Cl.** ..... **D8/396; D8/394**

(58) **Field of Search** ..... D8/382, 396; D23/265; D25/68; 24/16 R; 403/173, 174, 205, 312, 177, 178, 300, 305, 306, 192; 211/182, 68; 482/36

(56) **References Cited**

**U.S. PATENT DOCUMENTS**

1,963,981	A	*	6/1934	Garrett	.....	403/192
D170,240	S	*	8/1953	Raylor	.....	D23/265
D304,904	S	*	12/1989	Kercher	.....	D8/382
5,362,337	A	*	11/1994	Kosa	.....	482/36
D361,847	S	*	8/1995	Cetrulo	.....	D25/68
D412,101	S	*	7/1999	Murakami	.....	D8/382

**OTHER PUBLICATIONS**

Drawing with two views labeled "Prior Art", FIG. A and FIG. B.

\* cited by examiner

*Primary Examiner*—Louis S. Zarfes

*Assistant Examiner*—Gregory Andoll

(74) *Attorney, Agent, or Firm*—Wood, Phillips, Katz, Clark & Mortimer

(57) **CLAIM**

The ornamental design for a pipe clamp, as shown and described.

**DESCRIPTION**

FIG. 1 is a perspective view of a pipe clamp showing our new design and comprising two substantially identical clamping elements;

FIG. 2 is an end view of the nearer clamping element of the pipe clamp, as seen from its right end of FIG. 1 but rotated by one quarter-turn;

FIG. 3 is a side view of the nearer clamping element thereof, as seen from its underside in FIG. 1, its opposite side being a mirror image of the side shown in FIG. 3;

FIG. 4 is an end view of the nearer clamping element thereof, as seen from its left end in FIG. 1 but rotated by one quarter-turn;

FIG. 5 is a plan view of the nearer clamping element thereof, as seen from what becomes its outside when used; and,

FIG. 6 is a plan view of the nearer clamping element thereof, as seen from what becomes its inside when used.

The pipe clamp is used to clamp one end of a first pipe to a second pipe crossing the end of the first pipe. When the pipe clamp is used, fasteners (not shown) are used to draw the clamping elements of the pipe clamp together, around the pipes being clamped. As shown fragmentarily in broken lines in FIG. 1, two pipes being clamped by the pipe clamp are shown for illustration only, neither pipe forming a part of the claimed design.

**1 Claim, 1 Drawing Sheet**

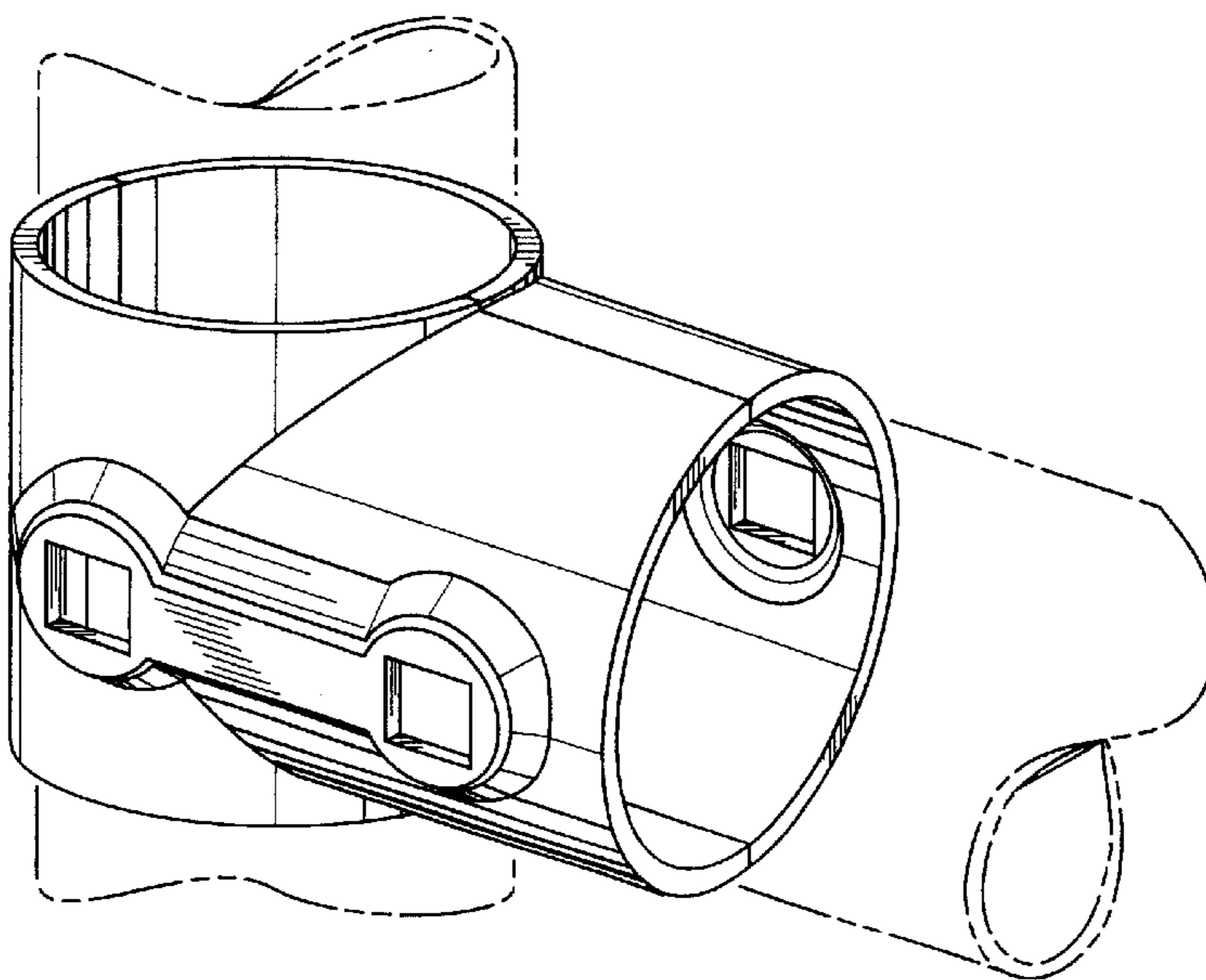


Fig. 1

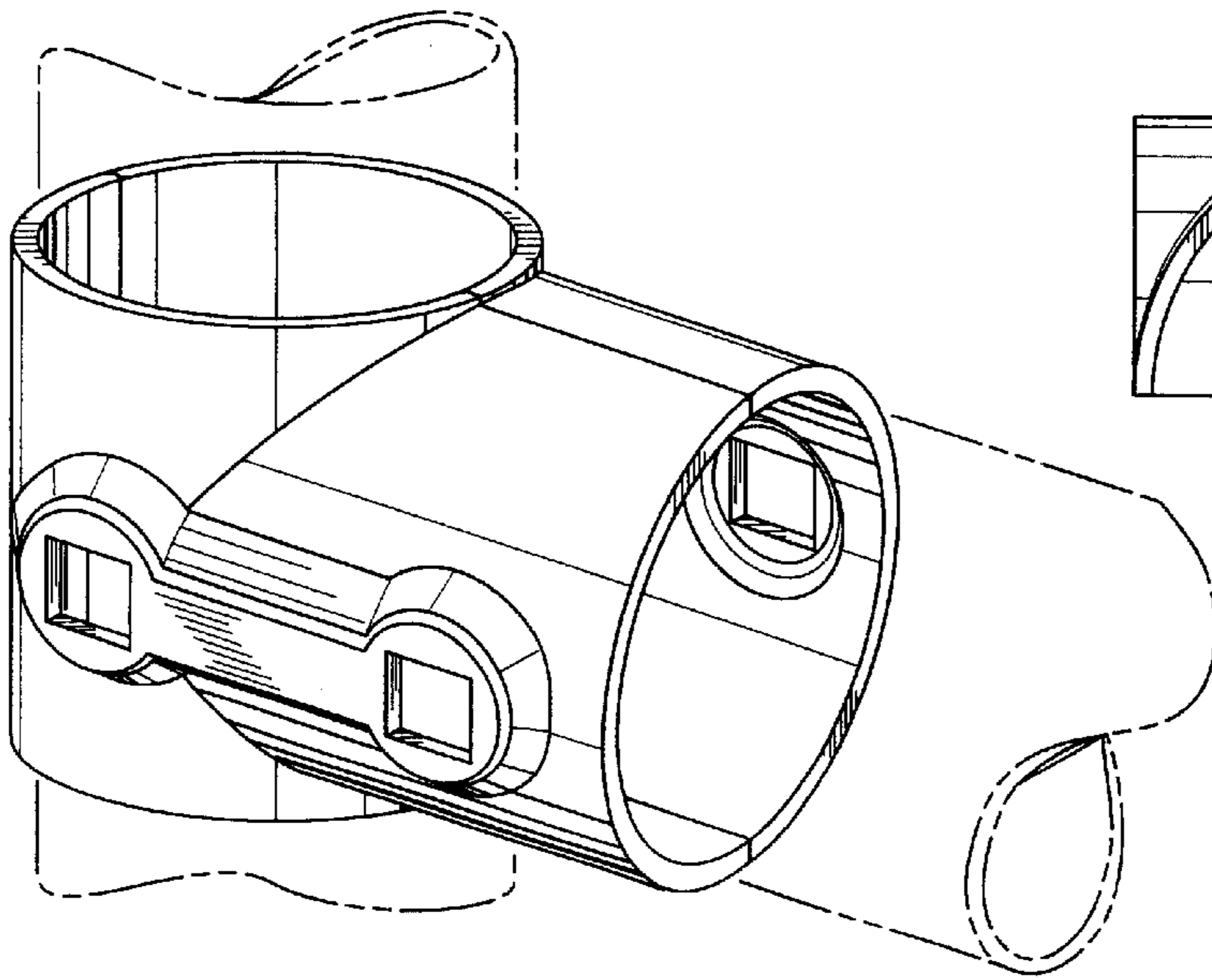


Fig. 2

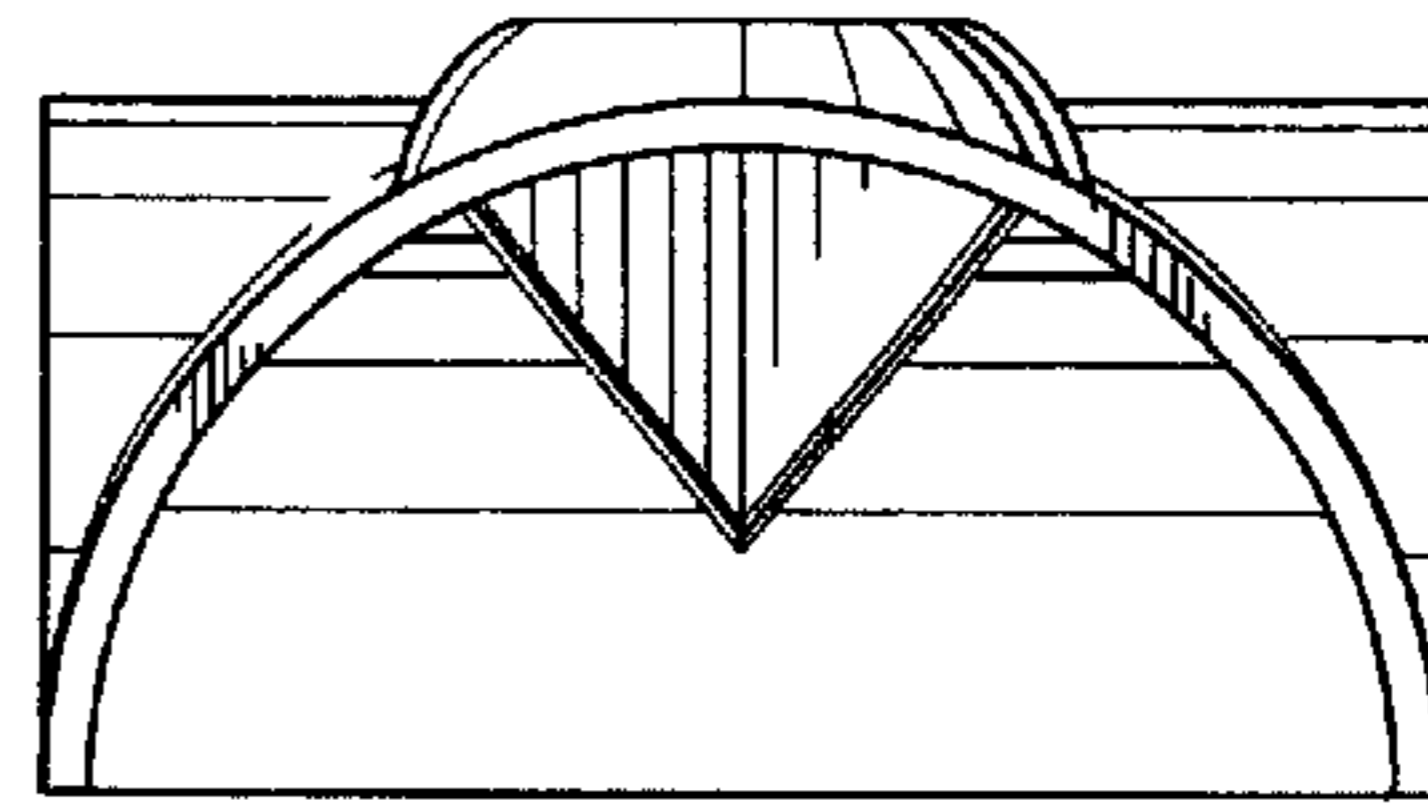


Fig. 3

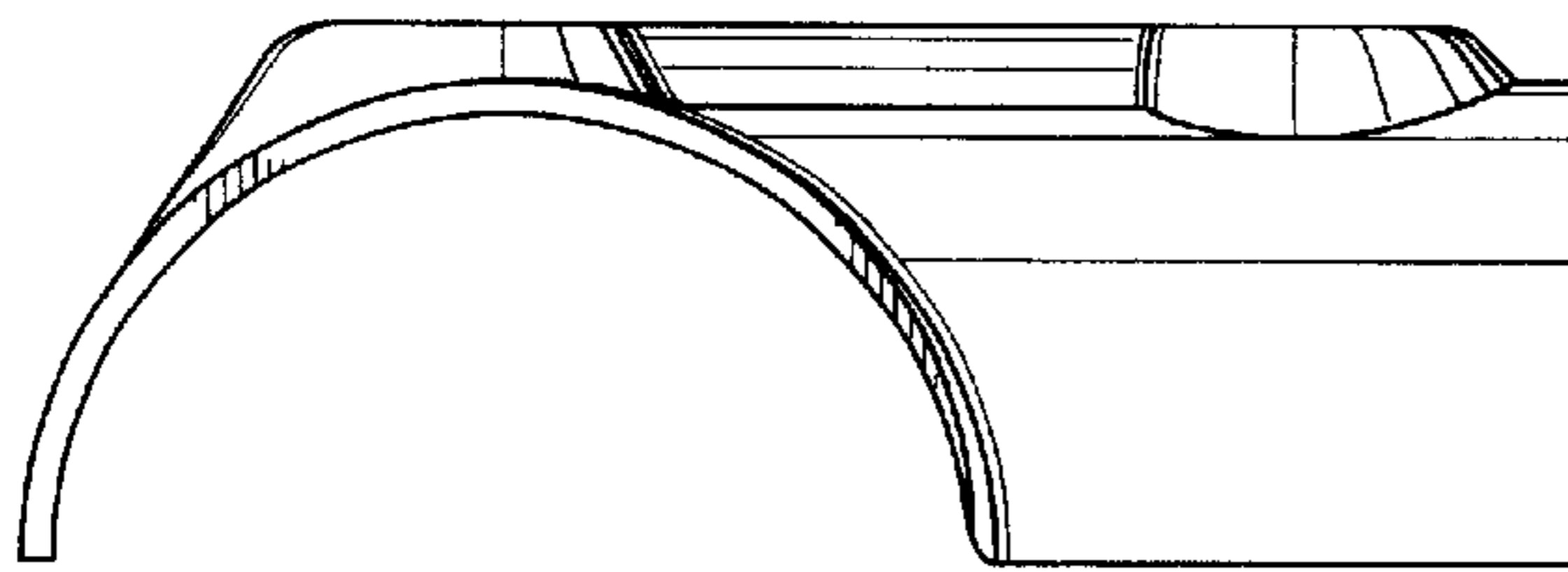


Fig. 4

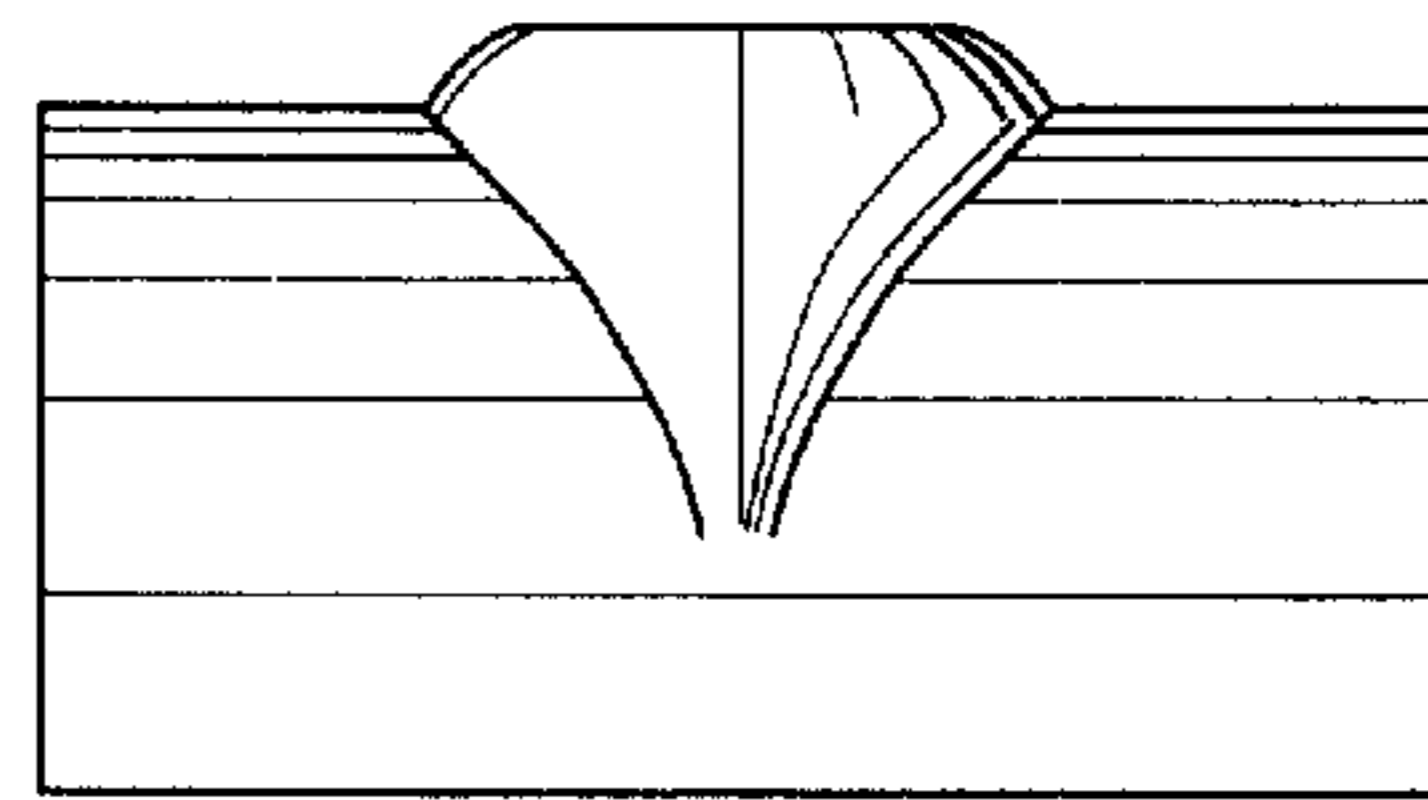


Fig. 5

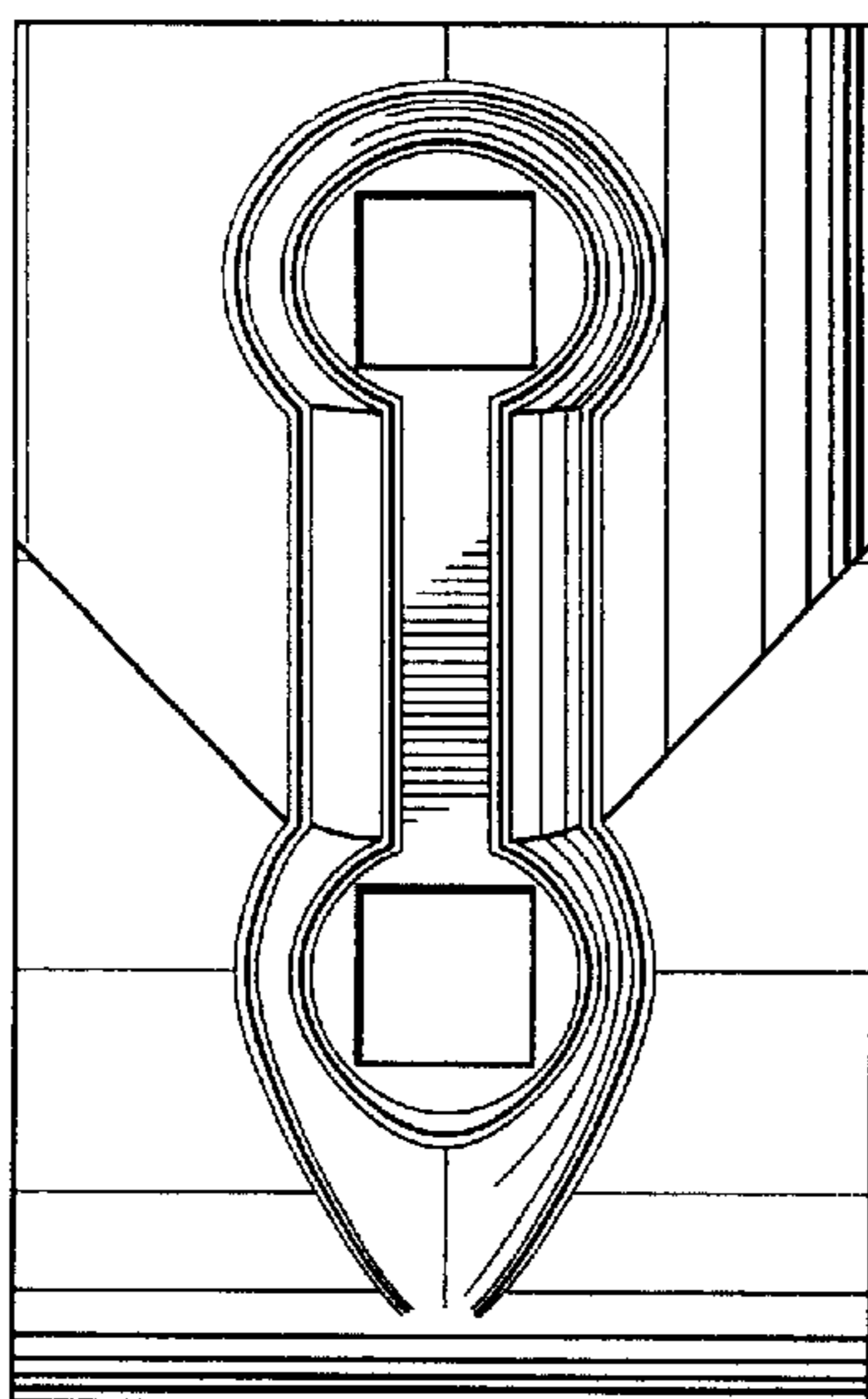


Fig. 6

