



US00D480297S

(12) **United States Design Patent**  
**Parker**

(10) **Patent No.:** **US D480,297 S**

(45) **Date of Patent:** **\*\* Oct. 7, 2003**

(54) **ROBUST BRACKET FOR OVERHEAD GATE HARDWARE**

(76) **Inventor:** **James Parker**, 11704 Sheldon St., Sun Valley, CA (US) 91352

(\*\*) **Term:** **14 Years**

(21) **Appl. No.:** **29/163,171**

(22) **Filed:** **Jun. 28, 2002**

(51) **LOC (7) Cl.** ..... **08-05**

(52) **U.S. Cl.** ..... **D8/380; D8/373; D8/323**

(58) **Field of Search** ..... D8/373, 380, 394, D8/396, 397, 382, 323; D23/262; 49/381, 384, 397-399; 403/24, 347, 122; 220/694, 831, 843; 428/596; 248/65, 225.11, 489, 230.1, 231.71, 228.6, 231.85, 836; 24/704.1

(56) **References Cited**

**U.S. PATENT DOCUMENTS**

D30,721 S	*	5/1899	Decker	.....	D8/323
3,395,423 A	*	8/1968	Bus	.....	16/262
D236,470 S	*	8/1975	Mullins	.....	D23/262
D293,003 S	*	12/1987	Larkin et al.	.....	D21/453
4,998,701 A	*	3/1991	Rawald	.....	248/224.7
5,199,218 A	*	4/1993	McQuade	.....	49/381

**OTHER PUBLICATIONS**

Northwestern Tools, coupling nuts top left of p. 11. Jul. 1968.\*

\* cited by examiner

*Primary Examiner*—Pamela Burgess  
(74) *Attorney, Agent, or Firm*—John E. Wagner

(57) **CLAIM**

The ornamental design of a robust bracket for overhead gate hardware, as shown and described.

**DESCRIPTION**

FIG. 1 is a front elevational view of the robust bracket for overhead gate hardware in accordance with this invention. The broken lines showing in this figure and in the following figures are for illustrative purposes only and form no part of the claimed design;

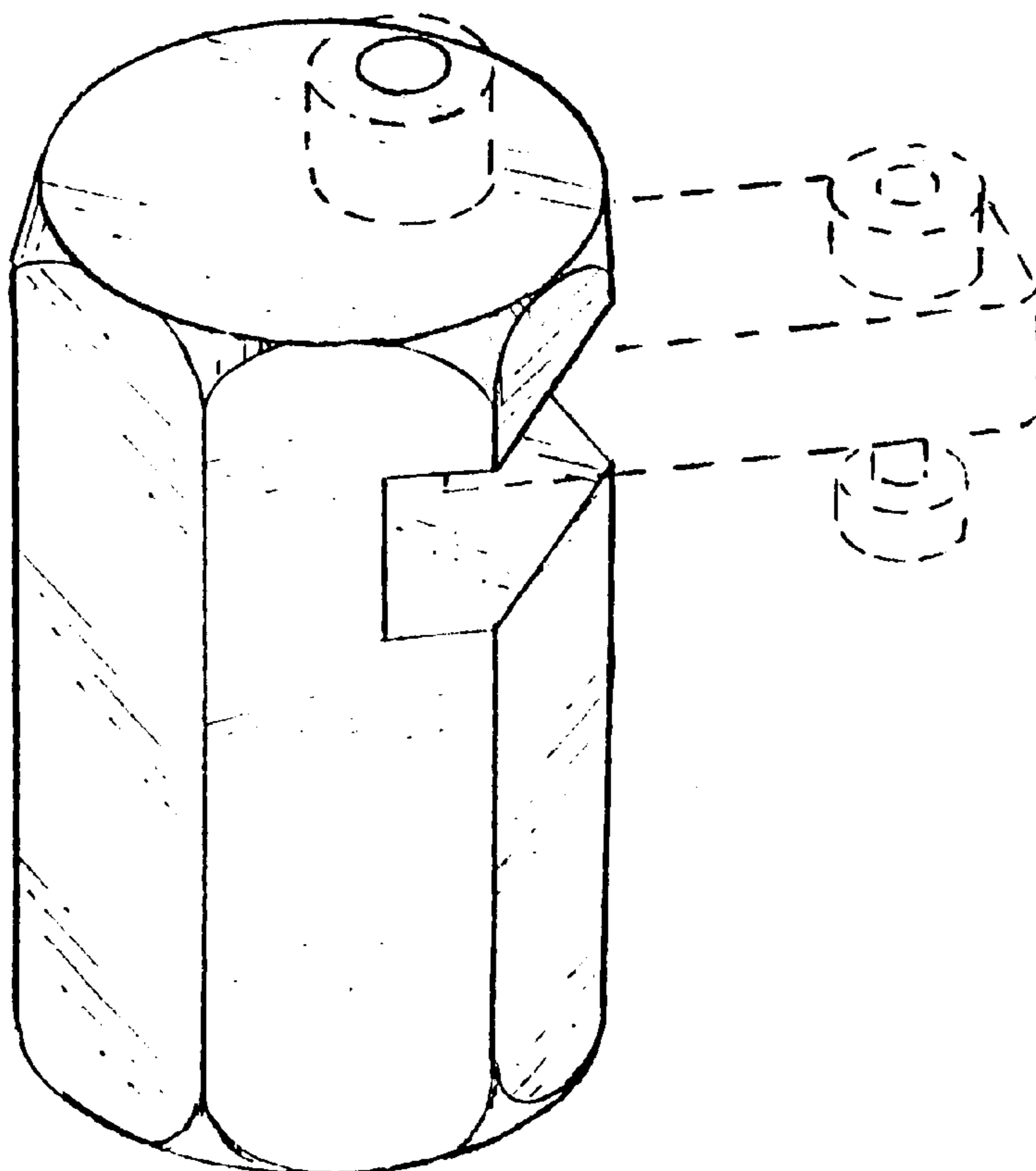
FIG. 2 is a side elevational view of the robust bracket for overhead gate hardware of FIG. 1, the opposite side view being a mirror image thereof;

FIG. 3 is a rear elevational view thereof;

FIG. 4 is a top plan view thereof; and,

FIG. 5 is a perspective view thereof. The bottom is unornamented.

**1 Claim, 2 Drawing Sheets**



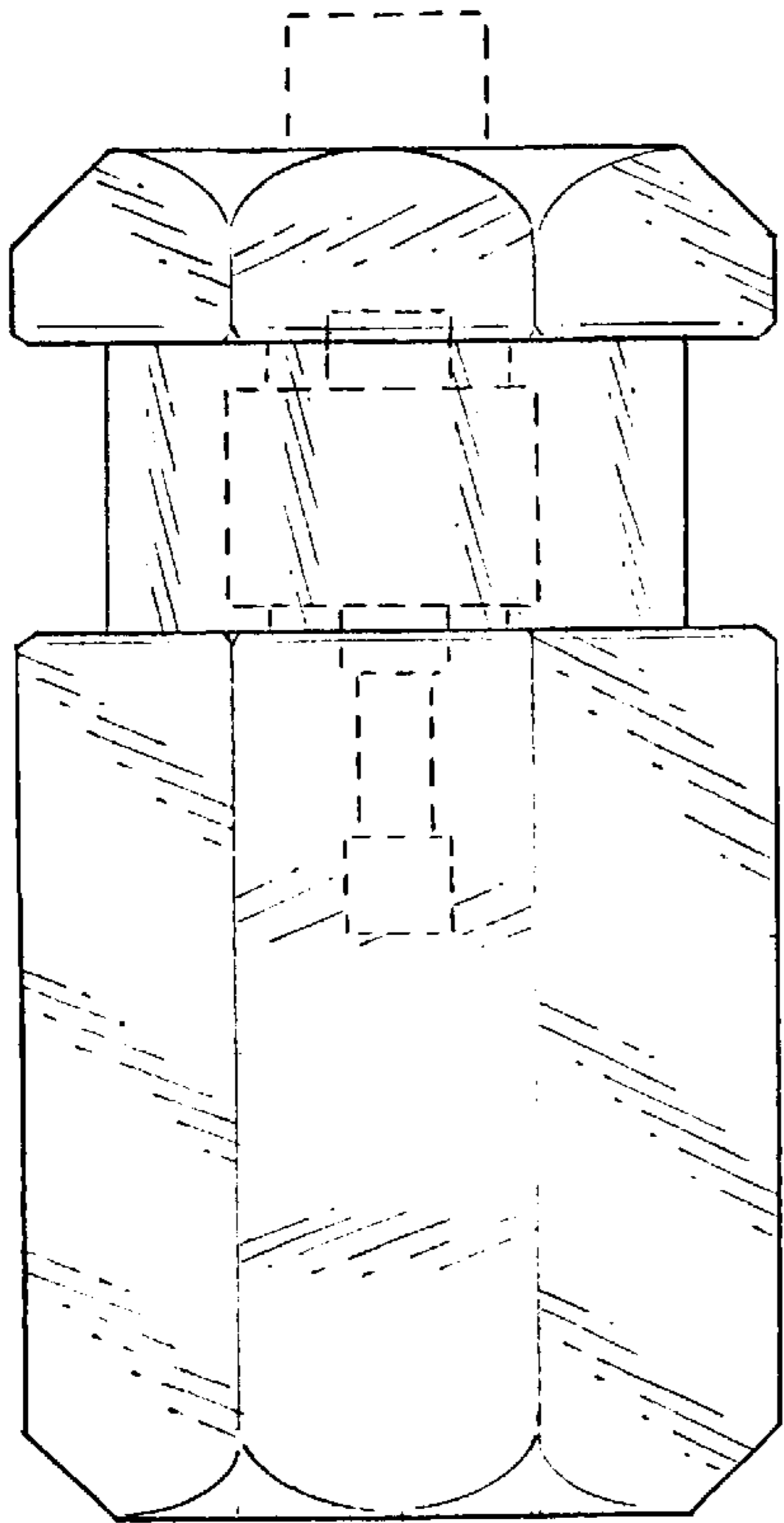


Fig. 1

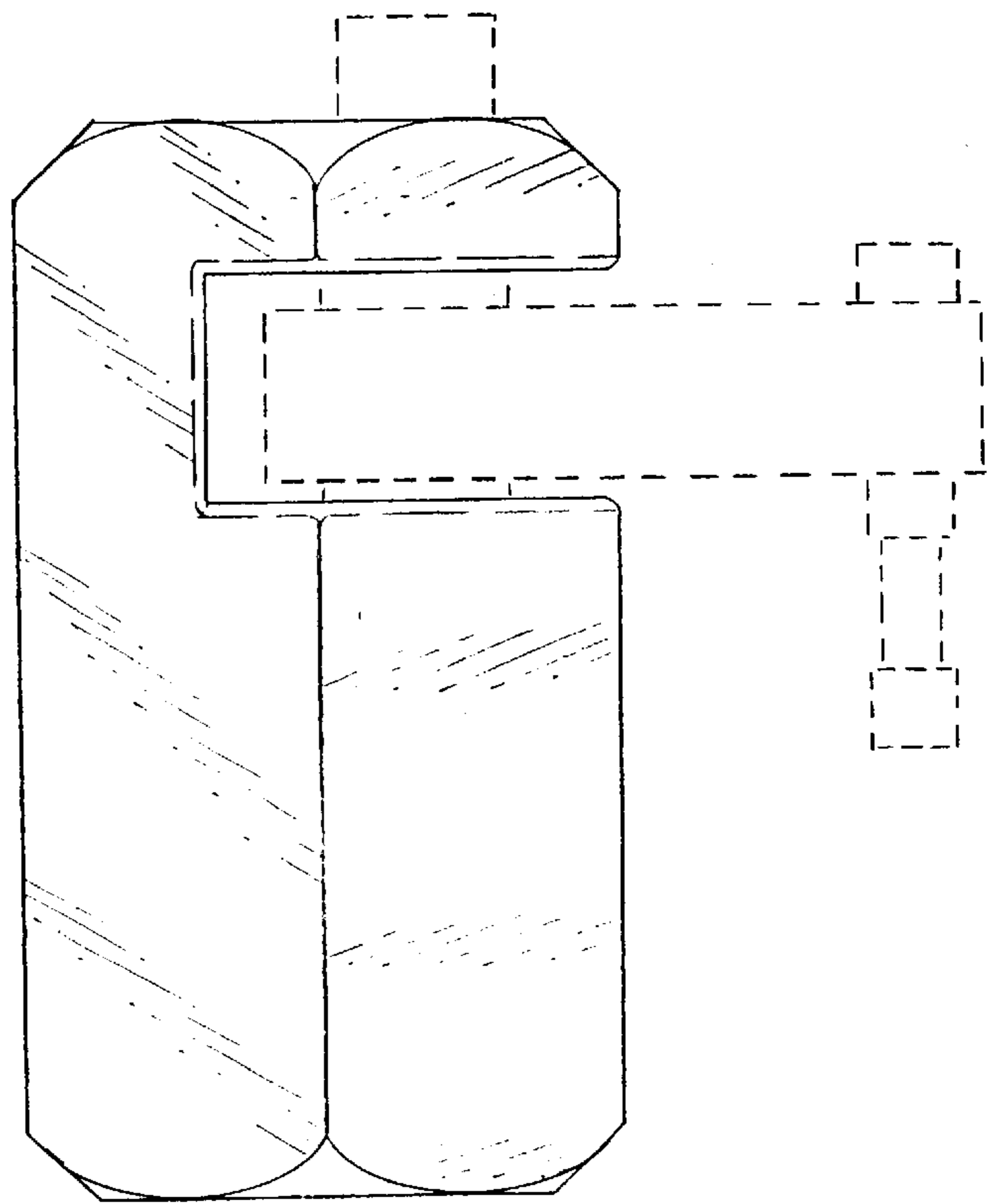


Fig. 2

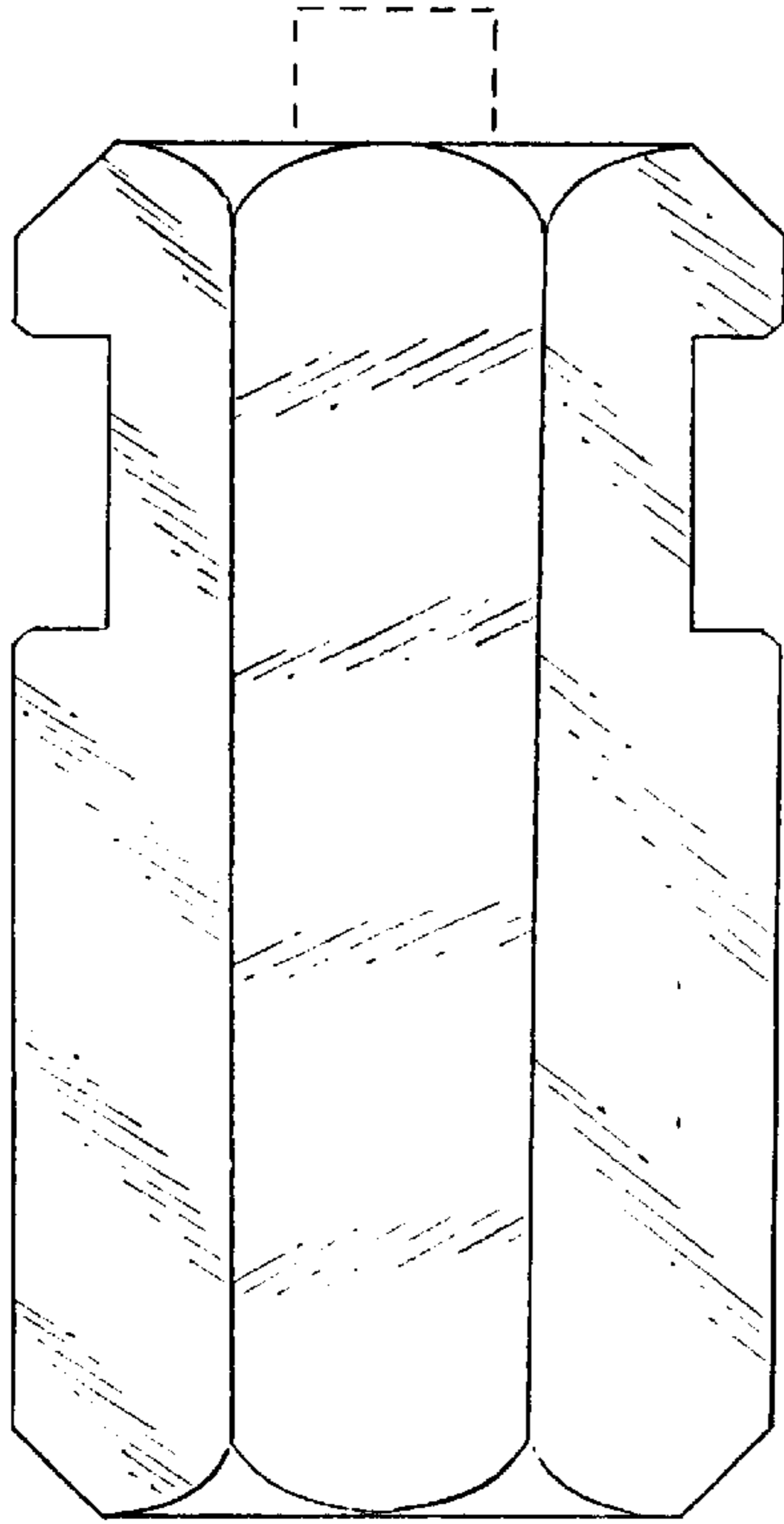


Fig. 3

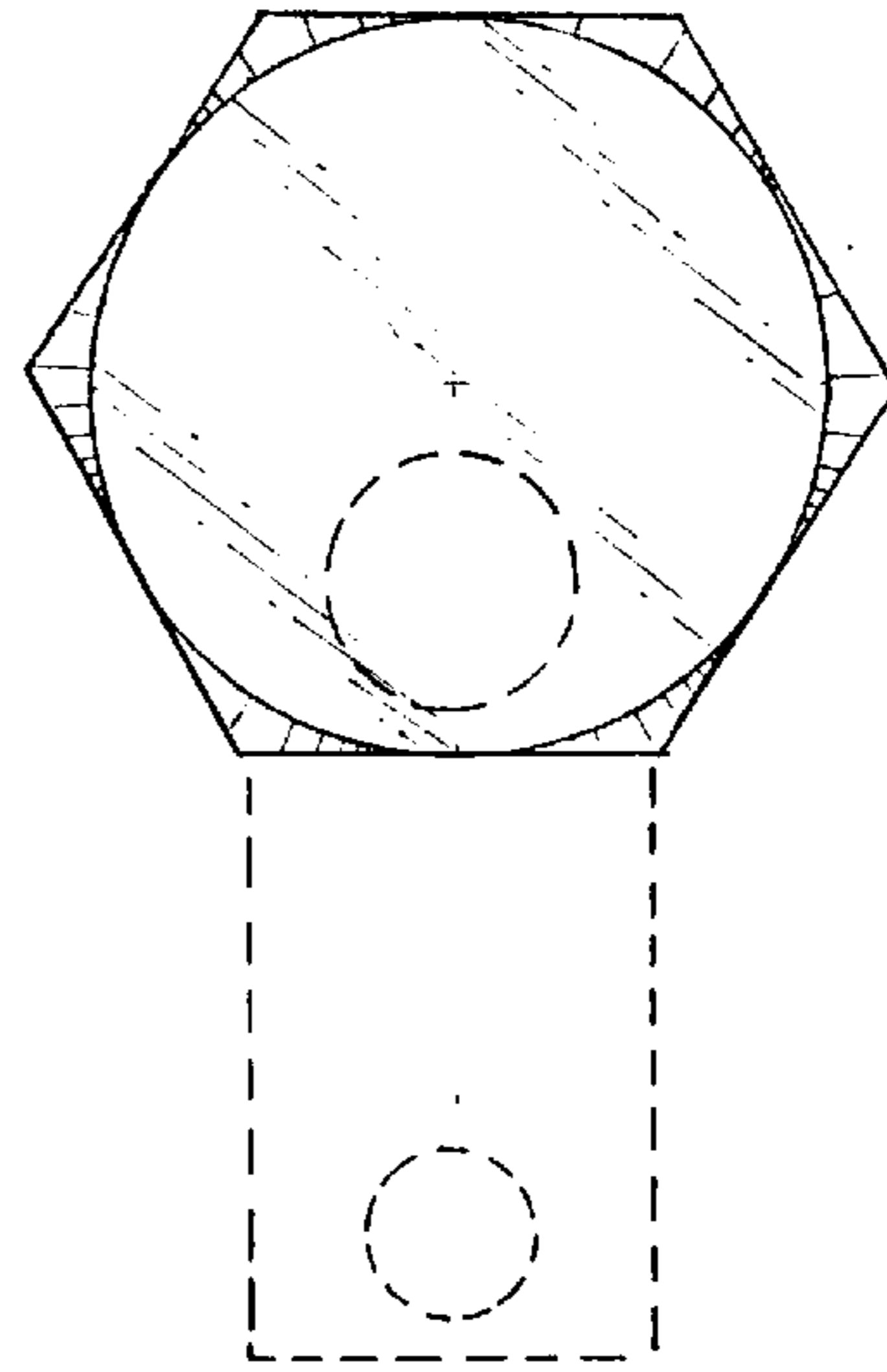


Fig. 4

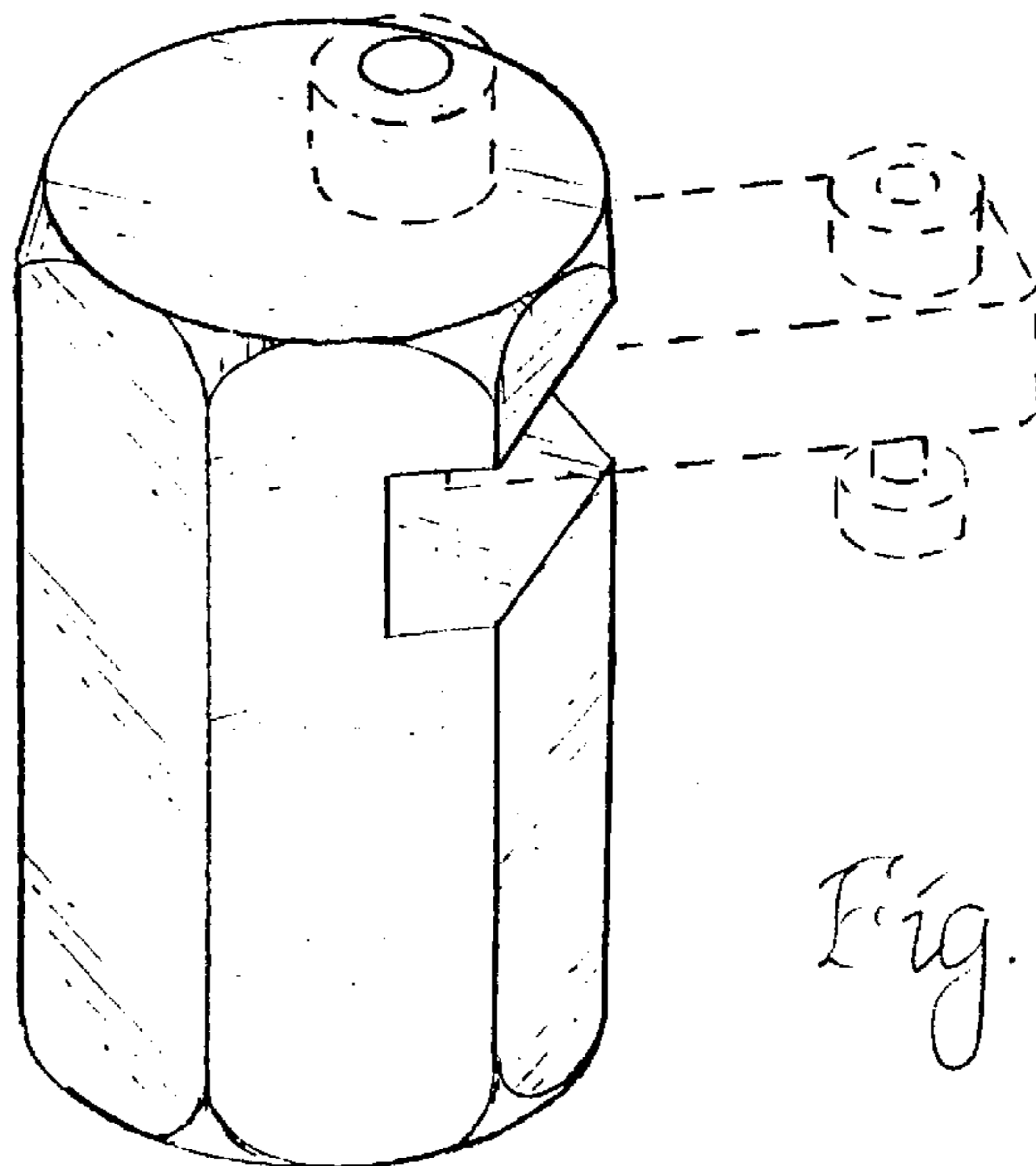


Fig. 5