



US00D480296S

(12) **United States Design Patent**
Scola

(10) **Patent No.:** **US D480,296 S**

(45) **Date of Patent:** **** Oct. 7, 2003**

(54) **TRASH BAG SUPPORT**

(76) Inventor: **Vito A. Scola**, 137 Apple Gate Rd.,
Cranston, RI (US) 02920

(**) Term: **14 Years**

(21) Appl. No.: **29/171,927**

(22) Filed: **Dec. 3, 2002**

Related U.S. Application Data

(62) Division of application No. 29/164,930, filed on Jul. 31,
2002, now Pat. No. Des. 471,082.

(51) **LOC (7) Cl.** **08-05**

(52) **U.S. Cl.** **D8/373**

(58) **Field of Search** D8/373, 380, 381;
D6/522, 549; 211/90.1, 88.04, 50, 113,
16, 12, 71.01, 75, 72; 248/98, 100-101,
150, 99, 309.2, 905, 97

(56) **References Cited**

U.S. PATENT DOCUMENTS

1,558,368 A * 10/1925 Jones 248/97

4,881,706 A 11/1989 Sedlik
4,934,637 A * 6/1990 Guerrero 248/100
5,522,729 A * 6/1996 Maddox 434/236
6,152,408 A * 11/2000 O'Grady 248/100

* cited by examiner

Primary Examiner—Pamela Burgess

(74) *Attorney, Agent, or Firm*—Salter & Michaelson

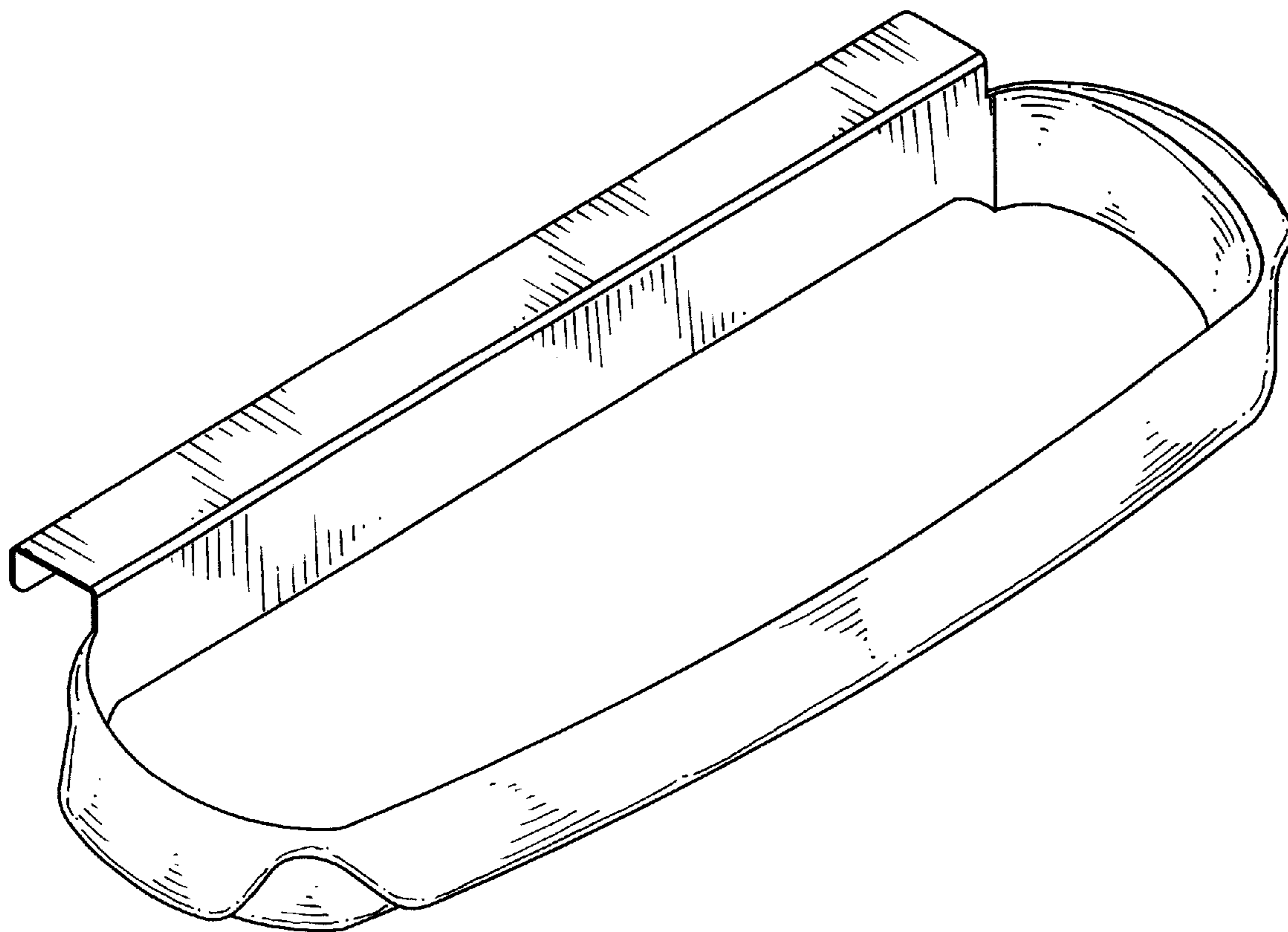
(57) **CLAIM**

The ornamental design for a trash bag support, as shown.

DESCRIPTION

FIG. 1 is a perspective view of a trash bag support showing my new design;
FIG. 2 is a left side elevational view thereof;
FIG. 3 is a right side elevational view thereof;
FIG. 4 is a top plan view thereof;
FIG. 5 is a bottom plan view thereof;
FIG. 6 is a rear elevational view thereof; and,
FIG. 7 is a front elevational view thereof.

1 Claim, 4 Drawing Sheets



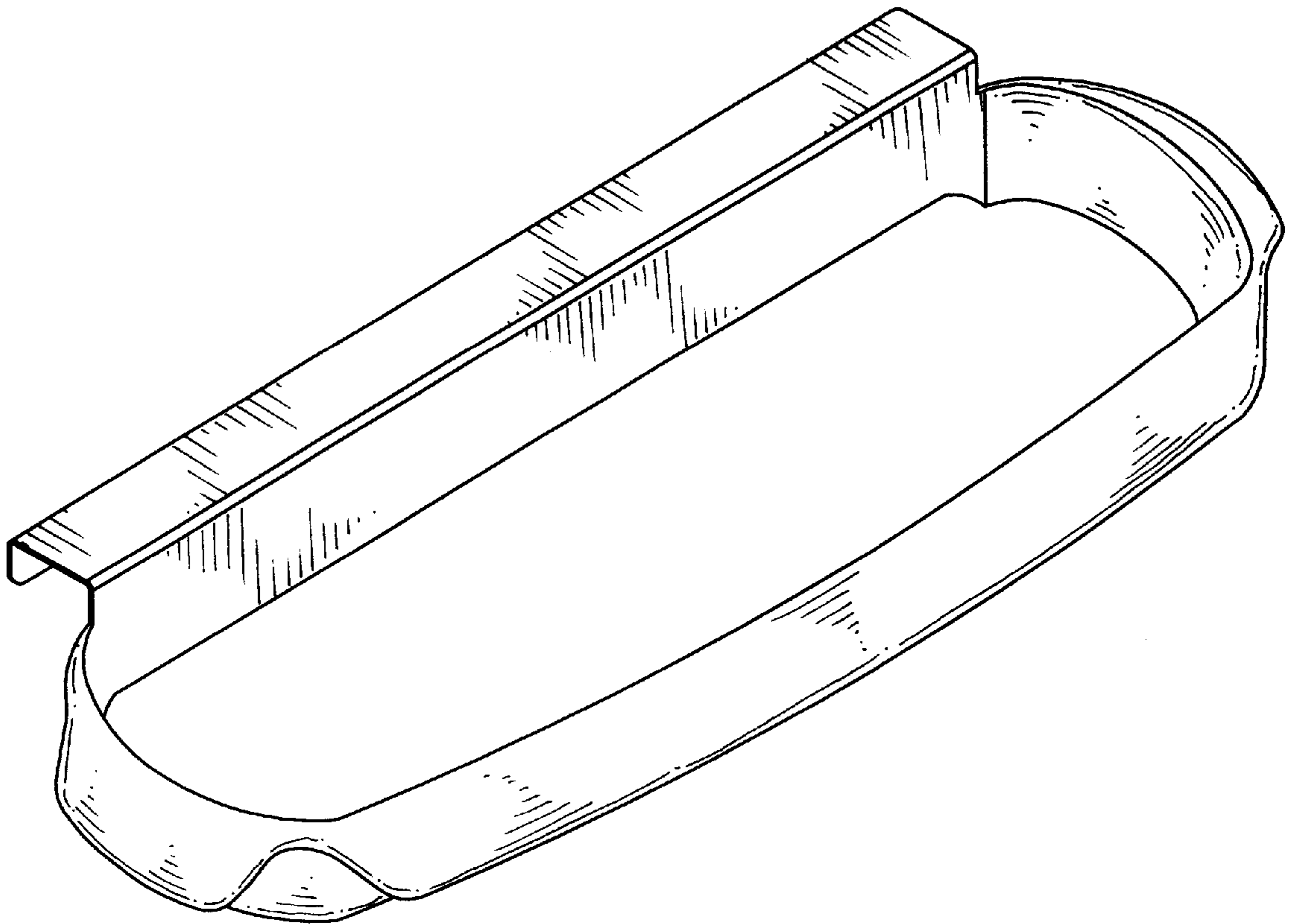


FIG. 1

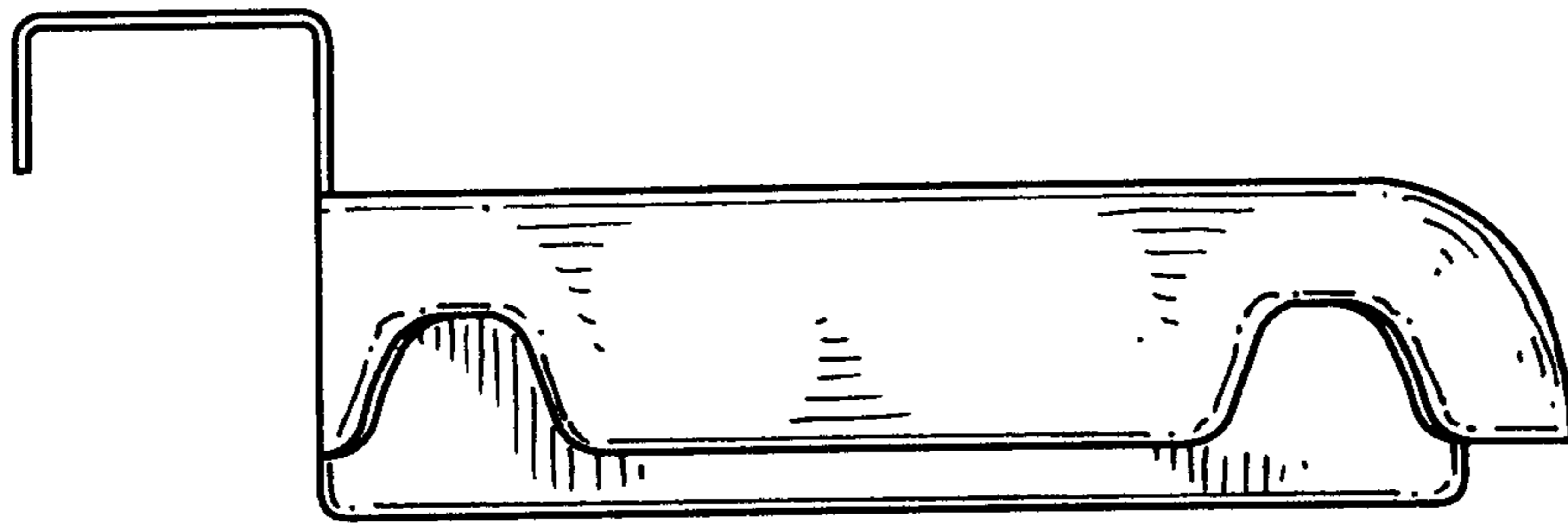


FIG. 2

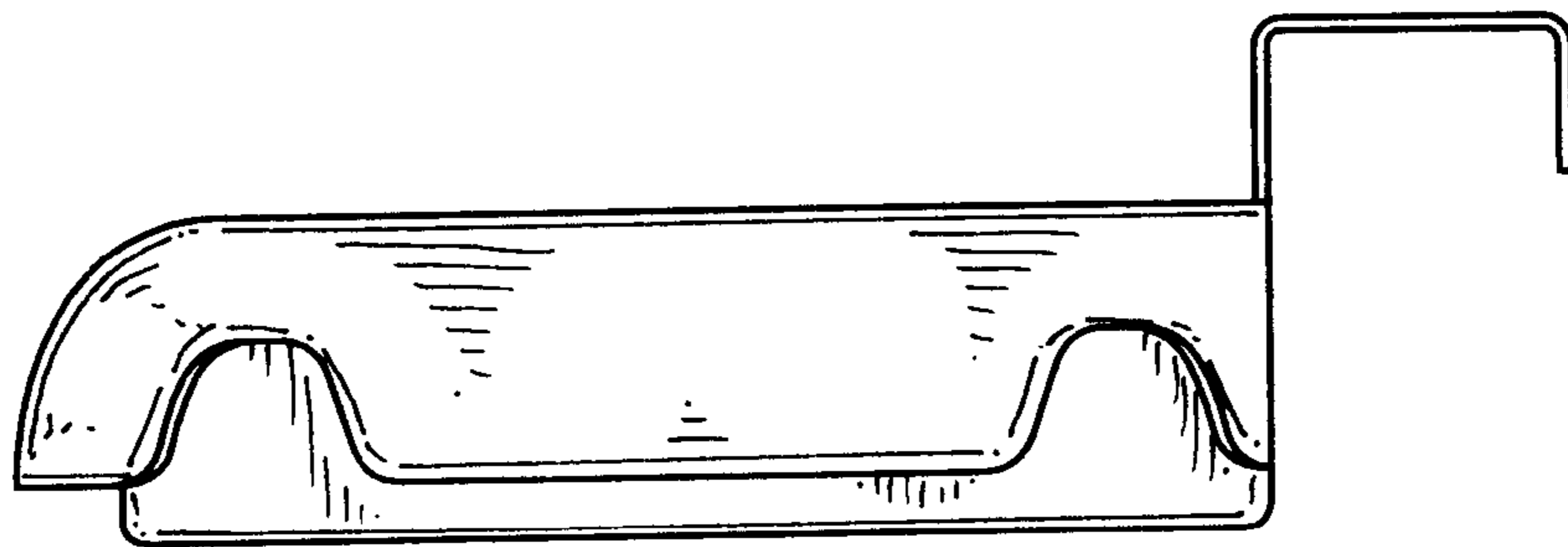


FIG. 3

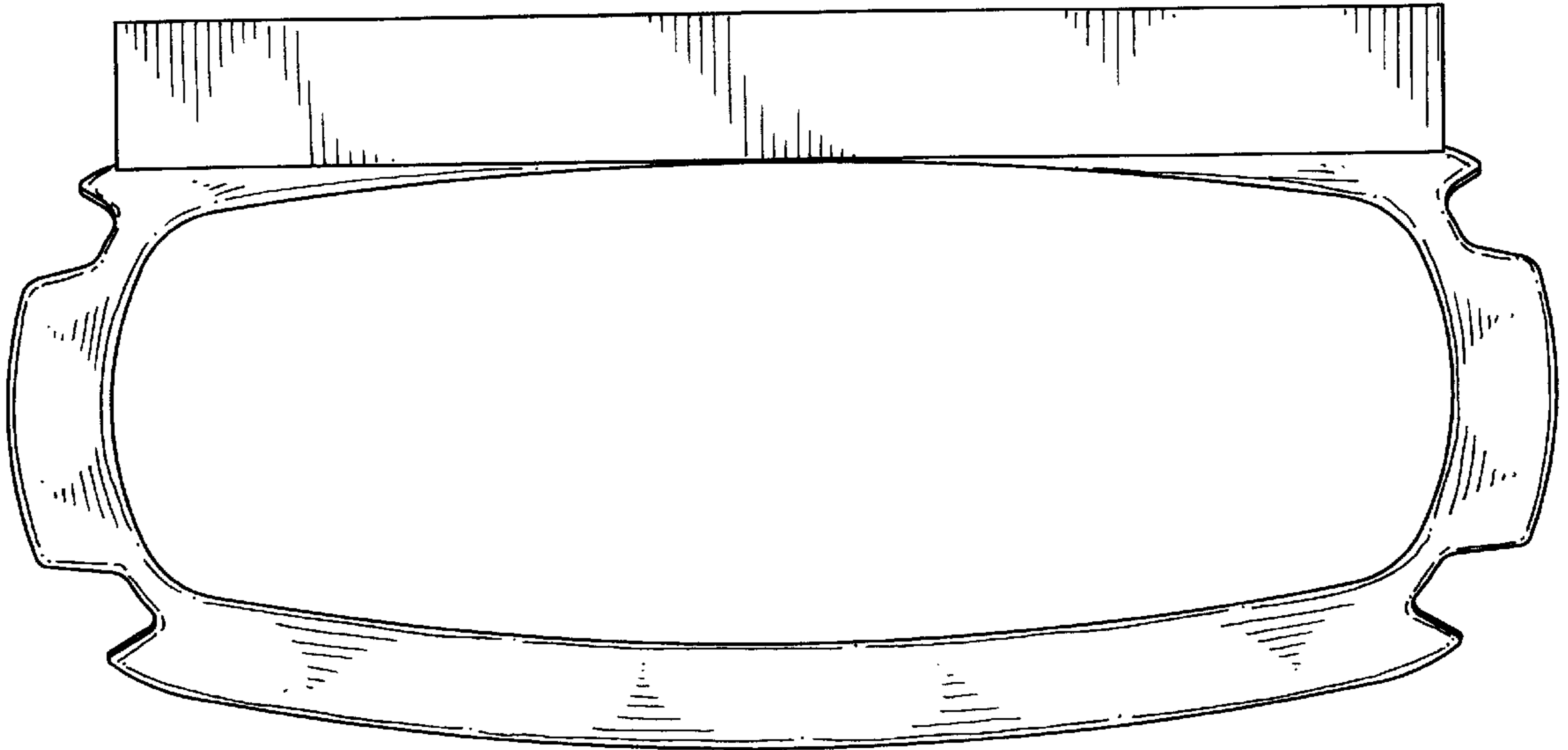


FIG. 4

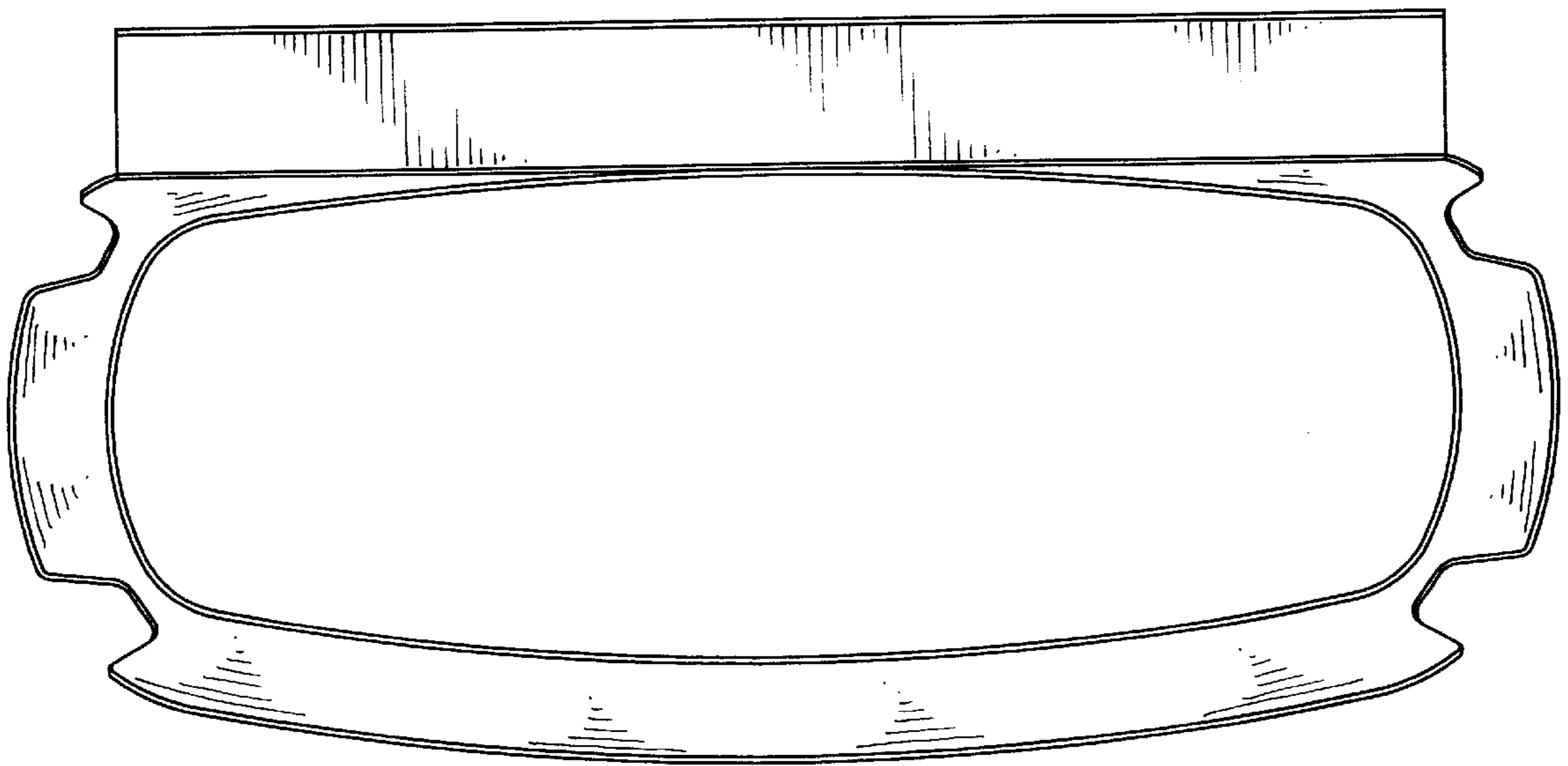


FIG. 5

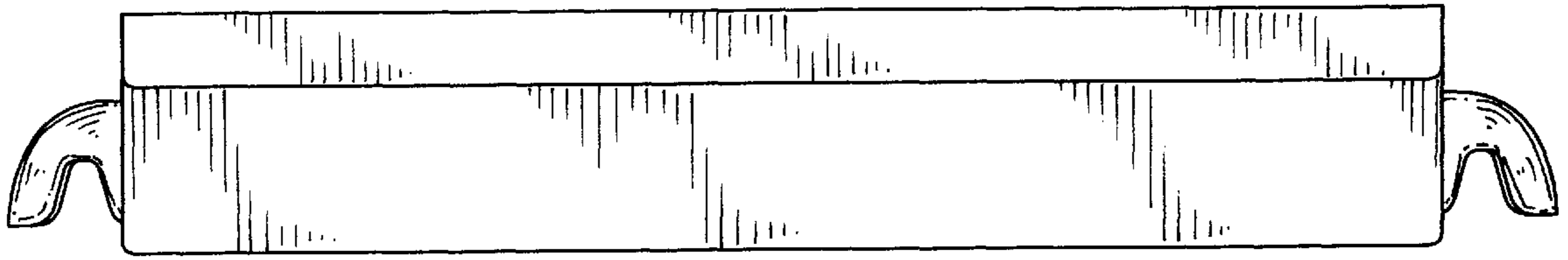


FIG. 6

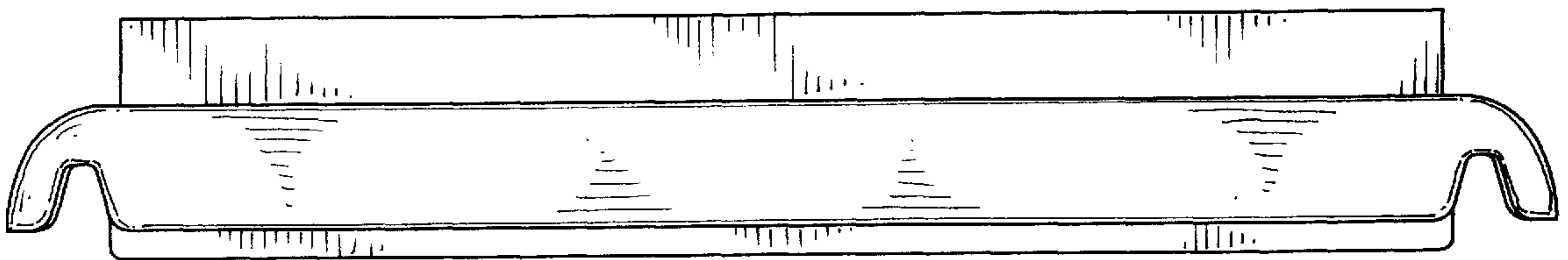


FIG. 7