



US00D480290S

(12) **United States Design Patent**
Gonzales

(10) **Patent No.:** **US D480,290 S**

(45) **Date of Patent:** **** Oct. 7, 2003**

(54) **CONCRETE CURB FORM SPREADER AND SPACER**

5,761,874 A 6/1998 Hayakawa
5,937,604 A 8/1999 Bowron
D429,624 S 8/2000 Johnson
6,234,447 B1 5/2001 Boyden et al.

(76) **Inventor:** **Reyes Gonzales**, 10285 N. Price,
Fresno, CA (US) 93720

* cited by examiner

(**) **Term:** **14 Years**

Primary Examiner—Robert M. Spear
Assistant Examiner—Elizabeth A. Albert
(74) *Attorney, Agent, or Firm*—Mark D. Miller

(21) **Appl. No.:** **29/163,239**

(22) **Filed:** **Jun. 27, 2002**

(57) **CLAIM**

(51) **LOC (7) Cl.** **08-05**

I claim the ornamental design for a concrete curb form spreader and spacer, as shown.

(52) **U.S. Cl.** **D8/354**

(58) **Field of Search** D8/349, 354, 373,
D8/380, 384; 52/562, 677, 684, 703; 33/451;
248/505; 249/1, 2, 4, 5, 8, 9, 34, 36, 40,
159, 189, 208, 216, 217, 219.1

DESCRIPTION

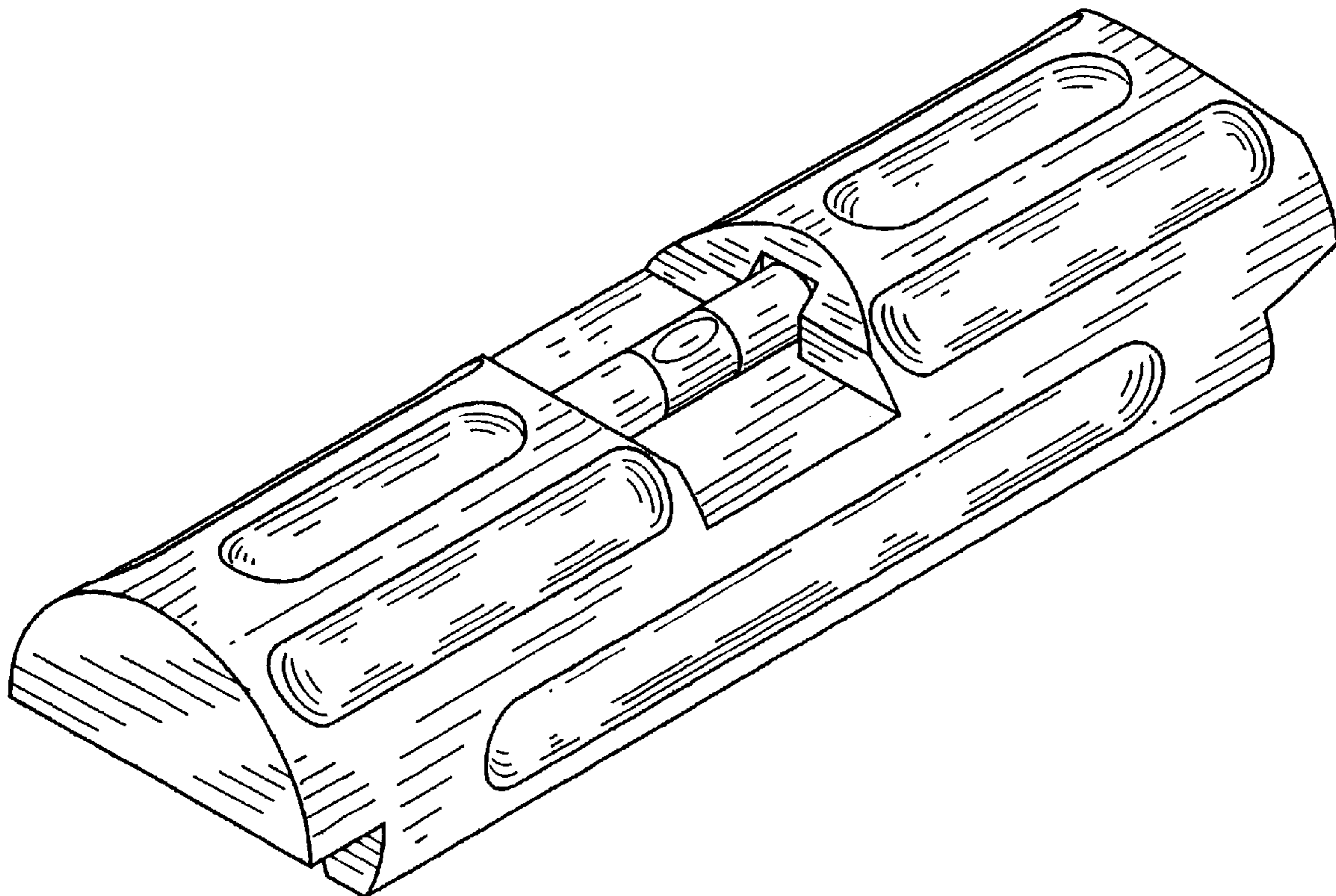
(56) **References Cited**

U.S. PATENT DOCUMENTS

4,836,487 A 6/1989 Ringler
5,156,753 A 10/1992 Speidel
D354,218 S * 1/1995 Van de Peer D8/354
D355,134 S * 2/1995 Kennedy D10/69

FIG. 1 is a front perspective view of the concrete form spacer and spreader showing my new design;
FIG. 2 is an end elevational view thereof;
FIG. 3 is an opposite end elevational view thereof;
FIG. 4 is a top plan view thereof;
FIG. 5 is a left side elevational view thereof;
FIG. 6 is a bottom plan view thereof; and,
FIG. 7 is a right side elevational view thereof.

1 Claim, 2 Drawing Sheets



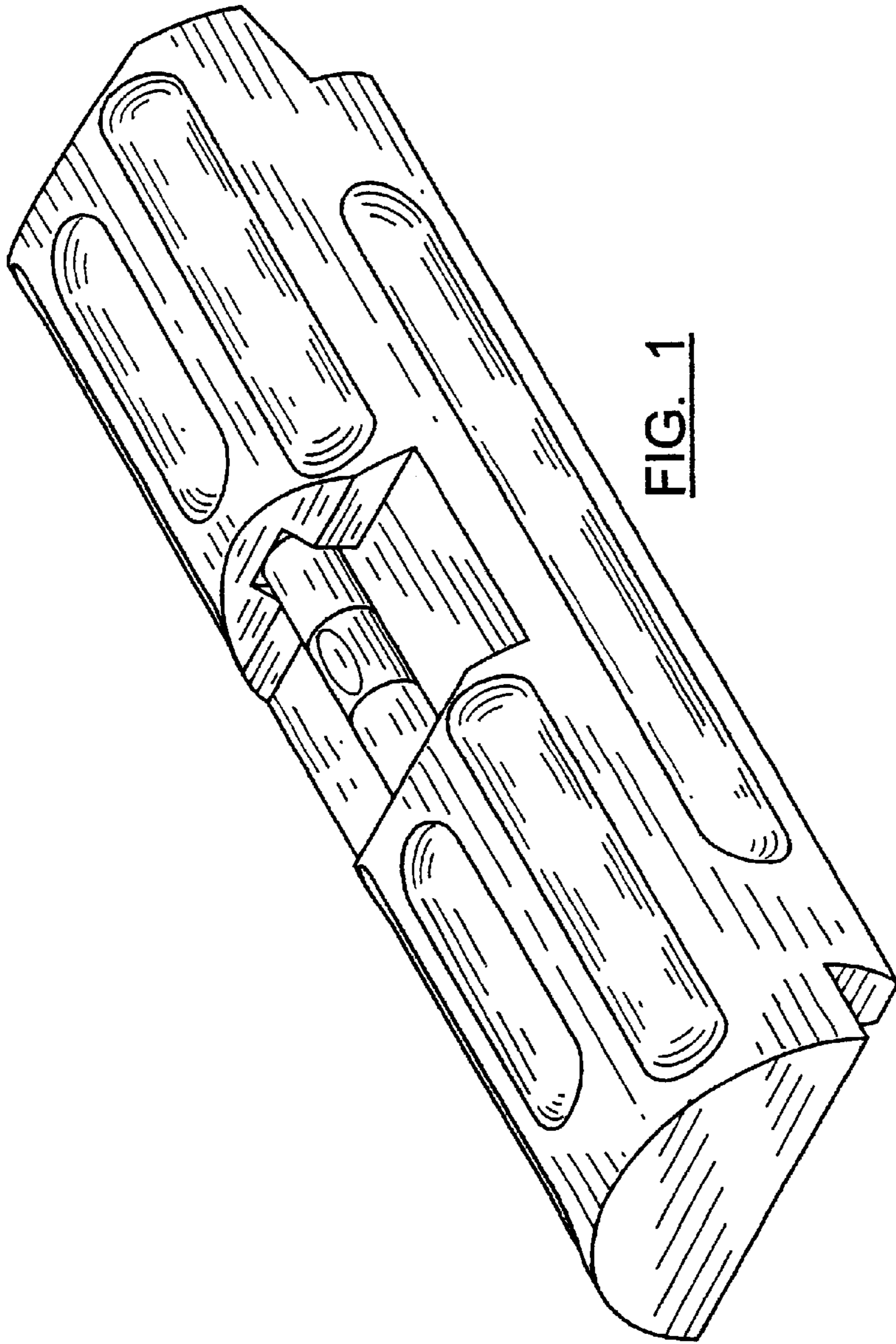


FIG. 1

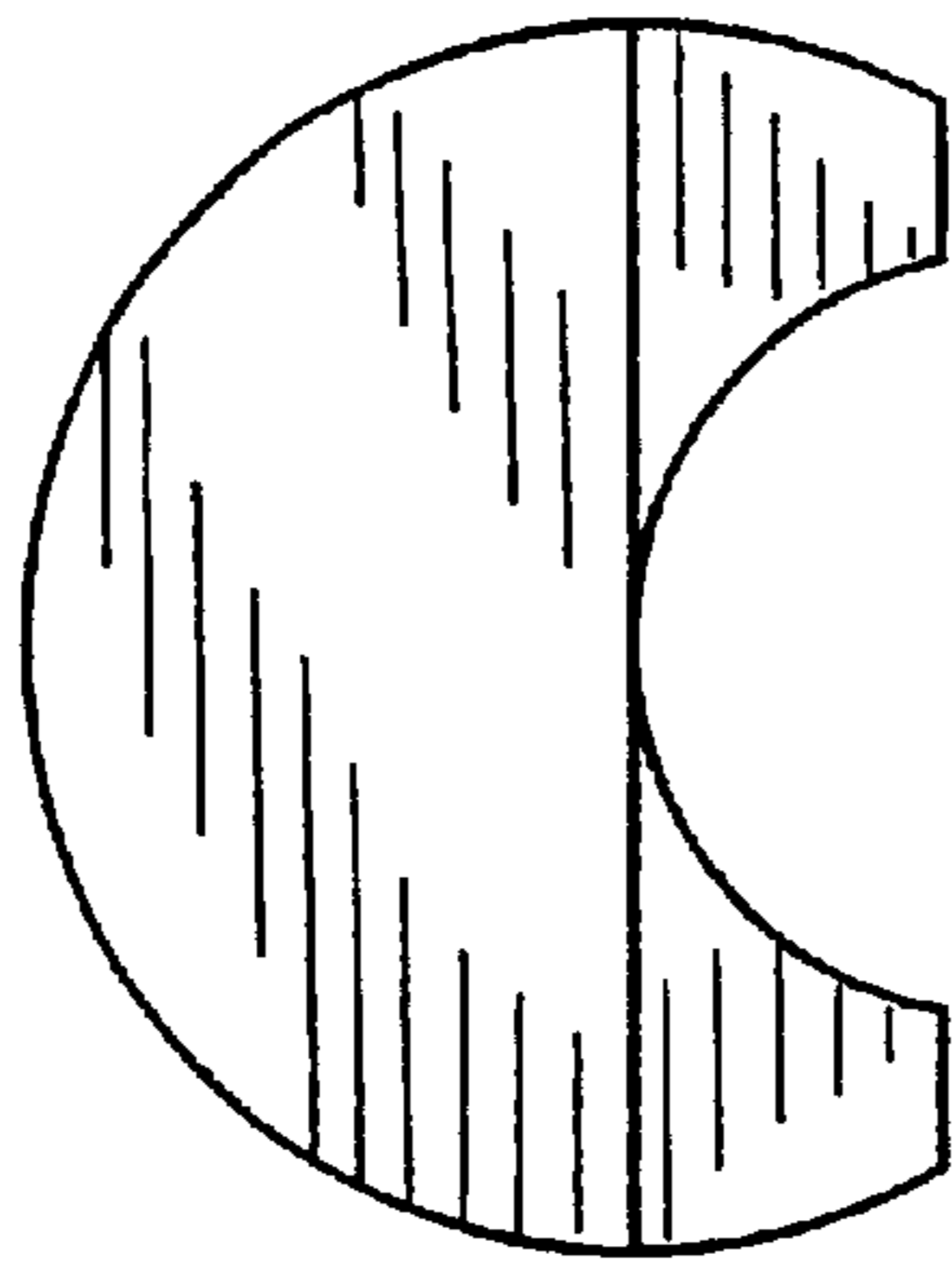


FIG. 2

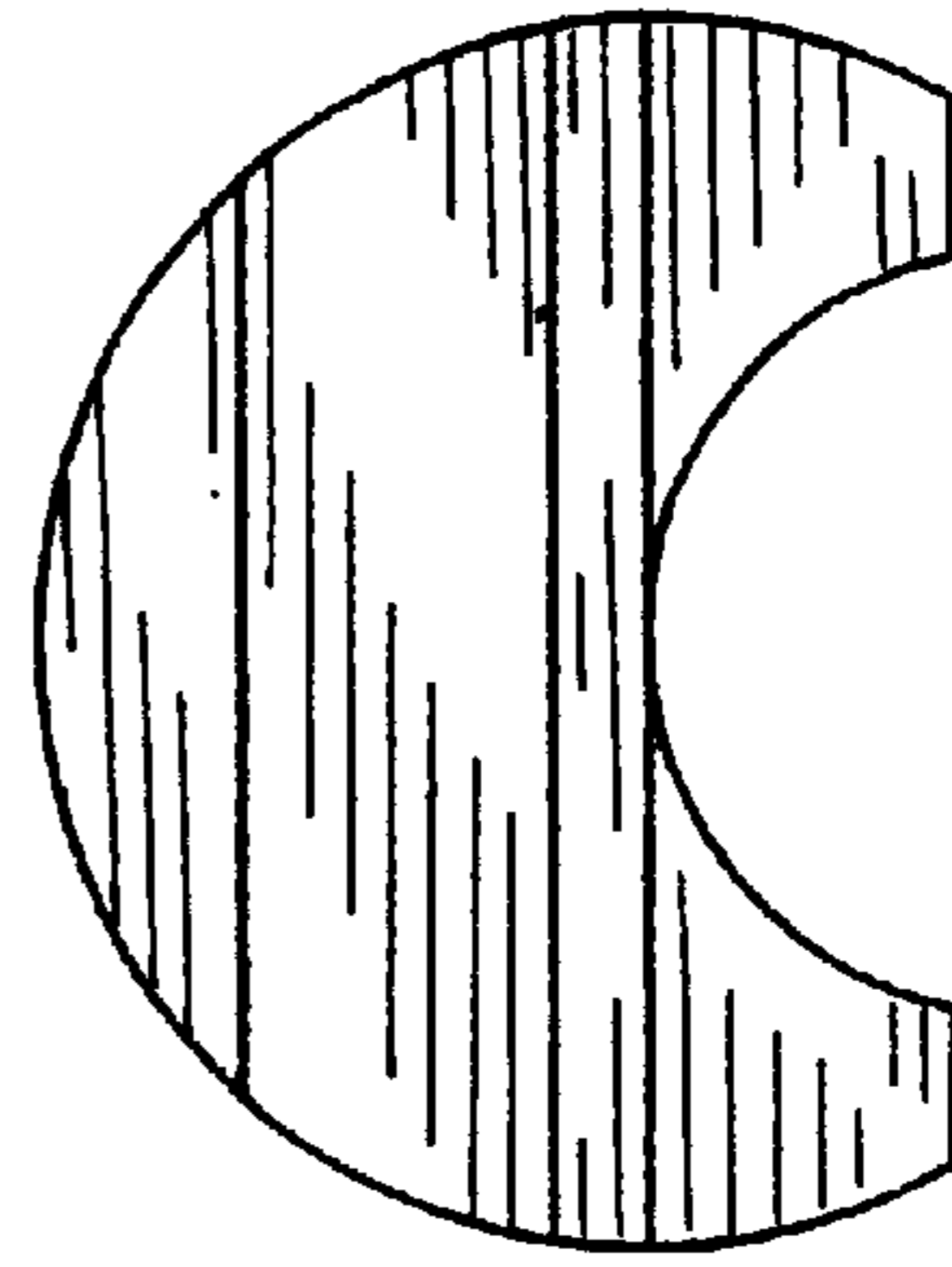


FIG. 3

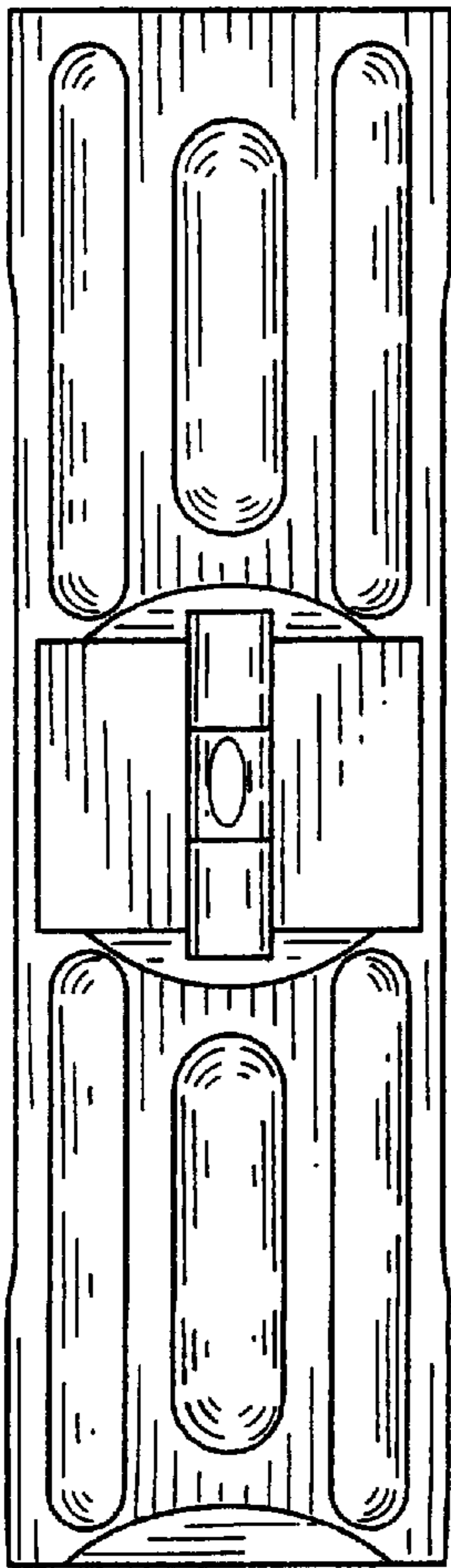


FIG. 4

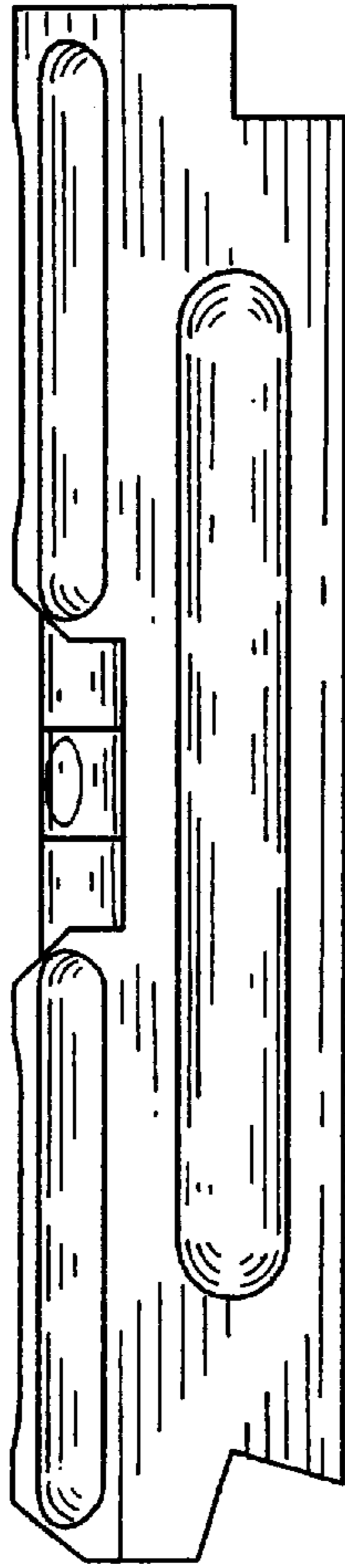


FIG. 5

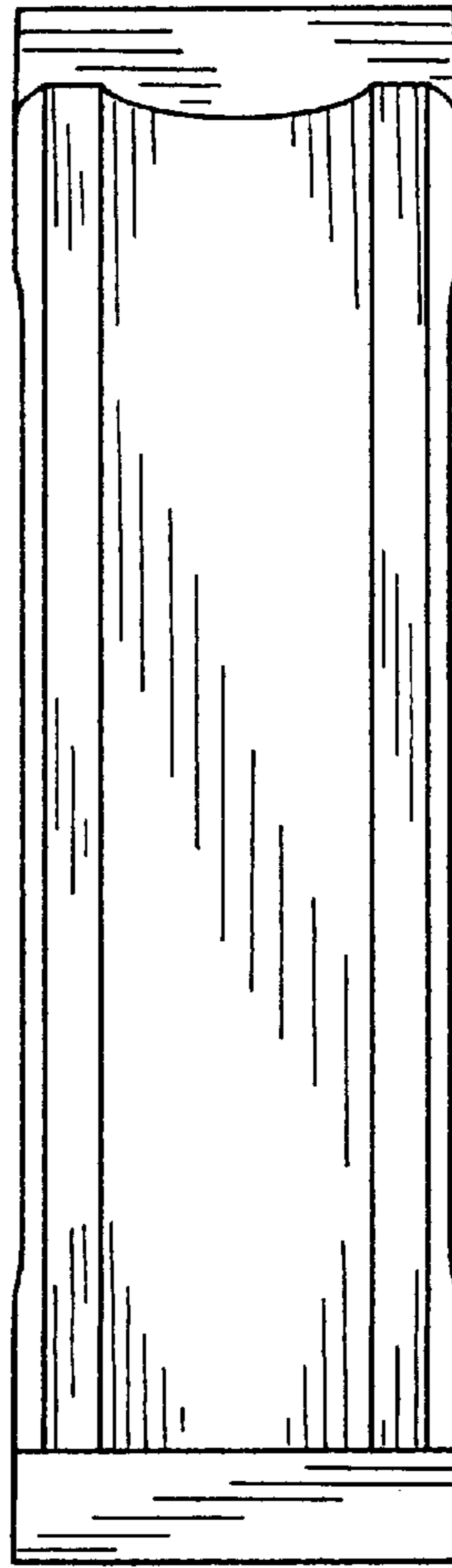


FIG. 6

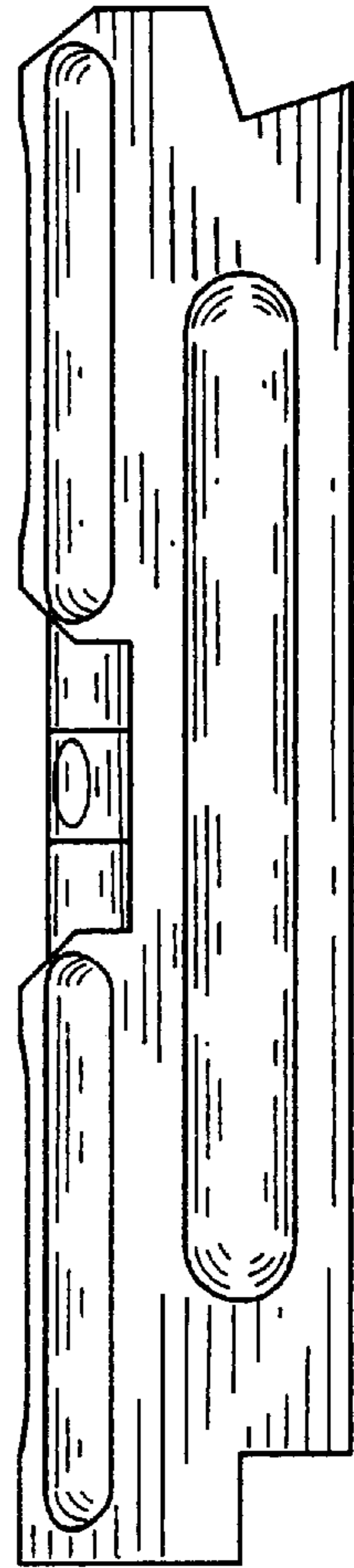


FIG. 7