



US00D480289S

(12) **United States Design Patent**
Jacquet

(10) **Patent No.:** **US D480,289 S**

(45) **Date of Patent:** **** Oct. 7, 2003**

(54) **CUTTER WITH RETRACTABLE AND SNAPPABLE BLADE**

(75) **Inventor:** **Emmanuel Jacquet, Annecy (FR)**

(73) **Assignee:** **Manufacture d'Articles de Precision et de Dessin—M.A.P.E.D. (FR)**

(**) **Term:** **14 Years**

(21) **Appl. No.:** **29/143,415**

(22) **Filed:** **Jun. 13, 2001**

(51) **LOC (7) Cl.** **08-03**

(52) **U.S. Cl.** **D8/99**

(58) **Field of Search** D8/98, 99; 30/161, 30/162, 320, 329, 335, 337

(56) **References Cited**

U.S. PATENT DOCUMENTS

D324,475 S	*	3/1992	Staubitz et al.	D8/99
D386,959 S	*	12/1997	Okada	D8/99
D398,829 S	*	9/1998	Okada	D8/99
D399,114 S	*	10/1998	Okada	D8/99
D412,654 S	*	8/1999	Gilbert et al.	D8/99
D412,655 S	*	8/1999	Gilbert et al.	D8/99
D412,822 S	*	8/1999	Gilbert et al.	D8/99

D419,850 S	*	2/2000	Hsu	D8/99
D428,790 S	*	8/2000	Jacquet	D8/99
D431,170 S	*	9/2000	Okada	D8/98
D442,054 S	*	5/2001	Okada et al.	D8/98
D443,807 S	*	6/2001	Okada	D8/99

* cited by examiner

Primary Examiner—Philip S. Hyder

(74) *Attorney, Agent, or Firm*—Cantor Colburn LLP

(57) **CLAIM**

The ornamental design for a cutter with retractable and snappable blade, as shown and described.

DESCRIPTION

FIG. 1 is a top, front and side perspective view of a cutter with retractable and snappable blade, showing my new design;

FIG. 2 is a top, rear and side perspective view thereof, the blade being in a projected position;

FIG. 3 is a side elevational view thereof;

FIG. 4 is a side elevational view thereof, taken from the side opposite to that shown in FIG. 3;

FIG. 5 is a top elevational view thereof; and,

FIG. 6 is a bottom elevational view.

1 Claim, 3 Drawing Sheets

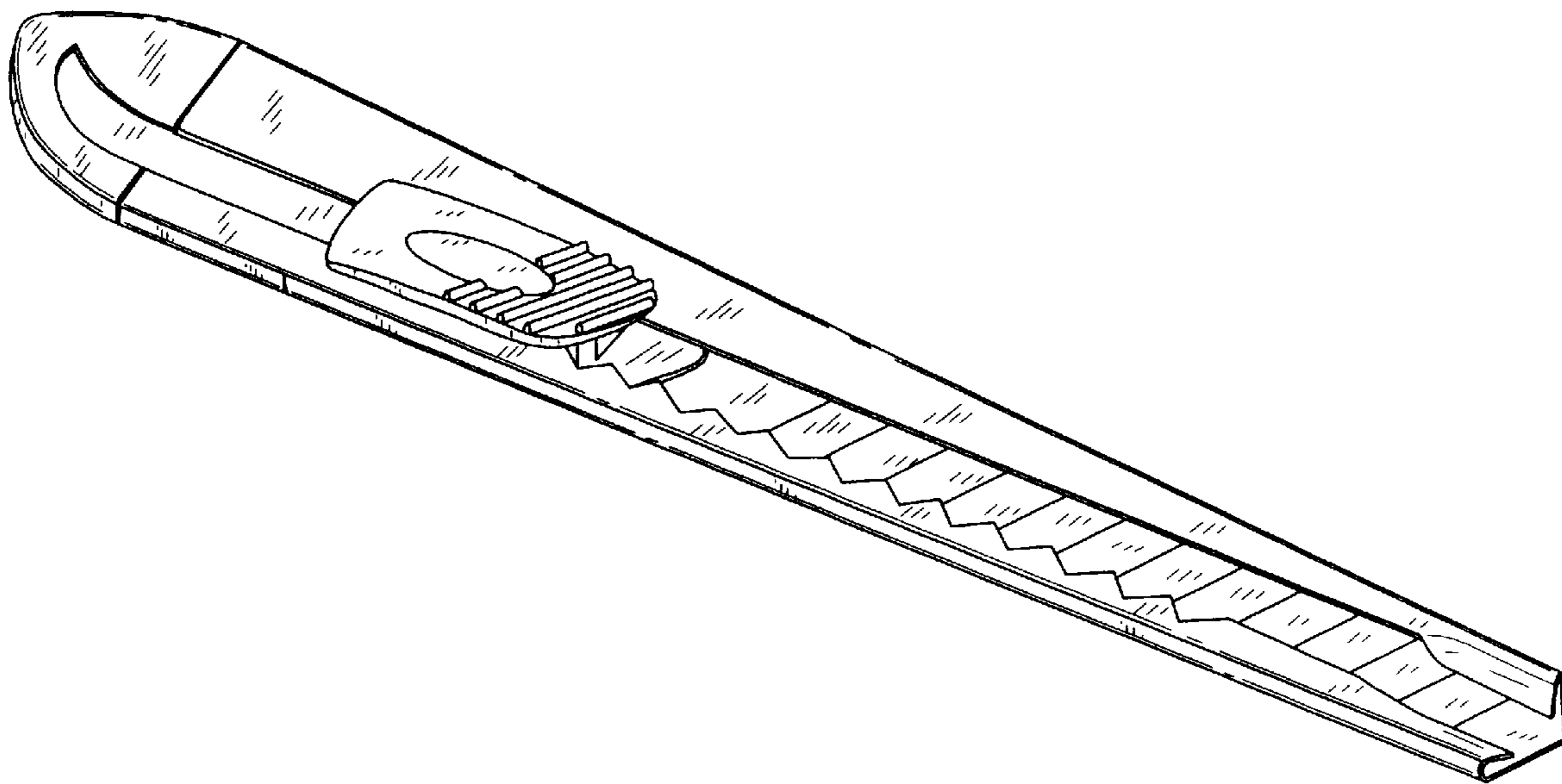


FIG. 1

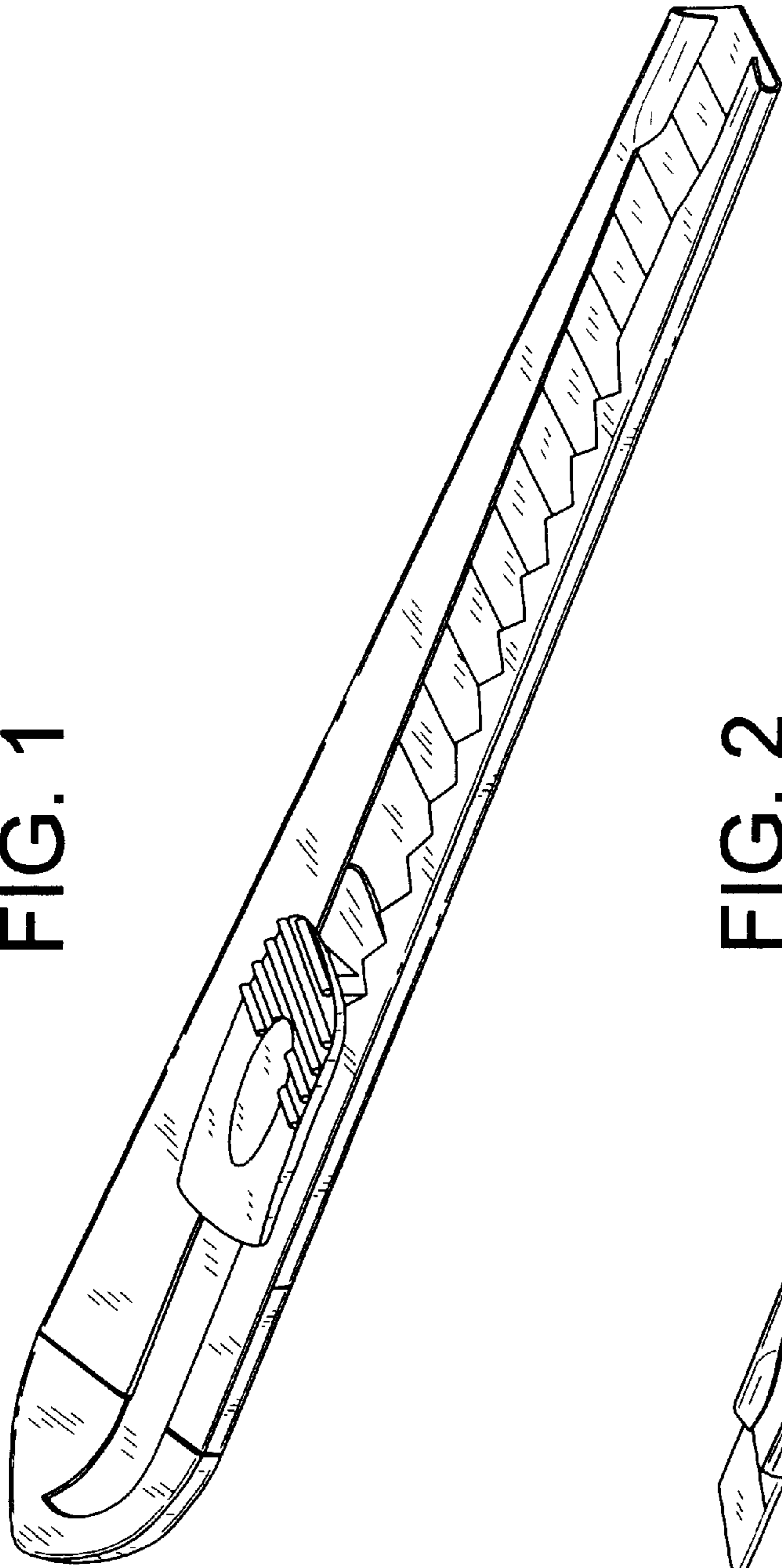


FIG. 2

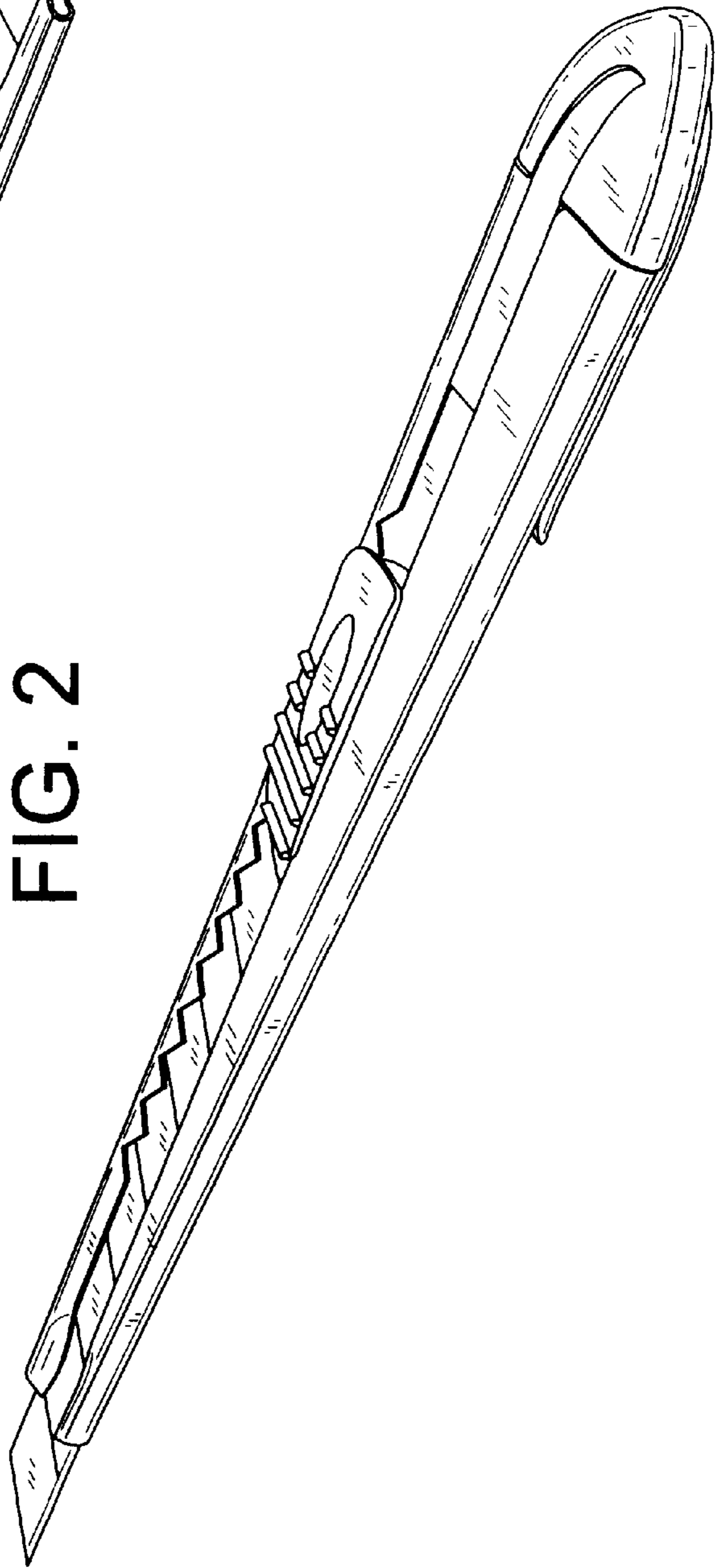


FIG. 3

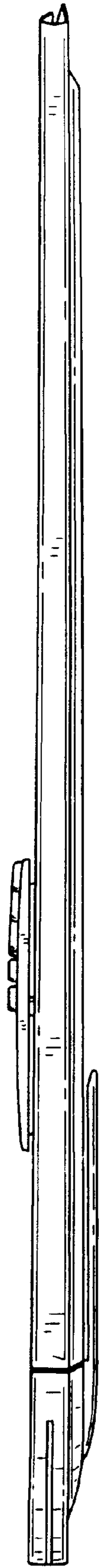


FIG. 4

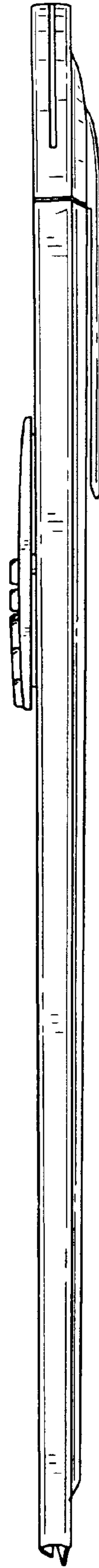


FIG. 5

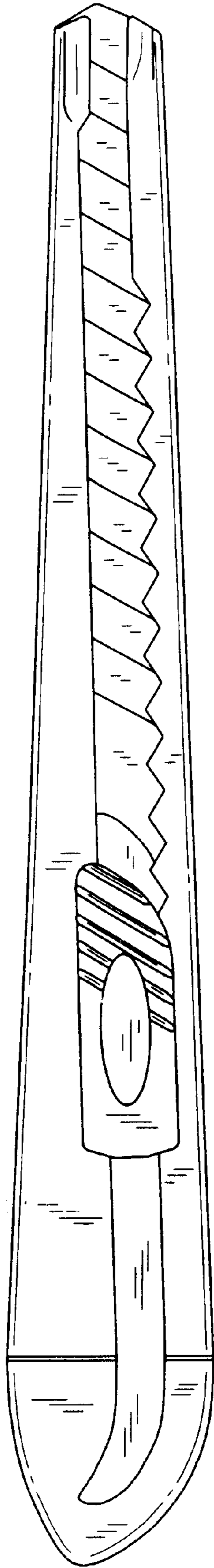
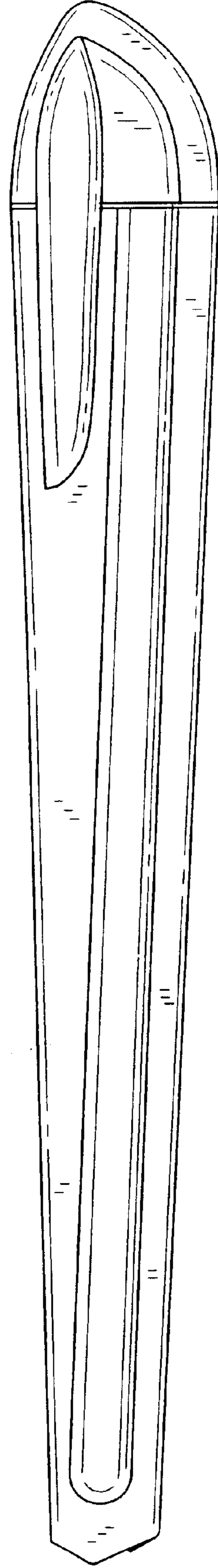


FIG. 6



UNITED STATES PATENT AND TRADEMARK OFFICE
CERTIFICATE OF CORRECTION

PATENT NO. : Des. 480,289 S
DATED : October 7, 2003
INVENTOR(S) : Emmanuel Jacquet

Page 1 of 1

It is certified that error appears in the above-identified patent and that said Letters Patent is hereby corrected as shown below:

Title page,

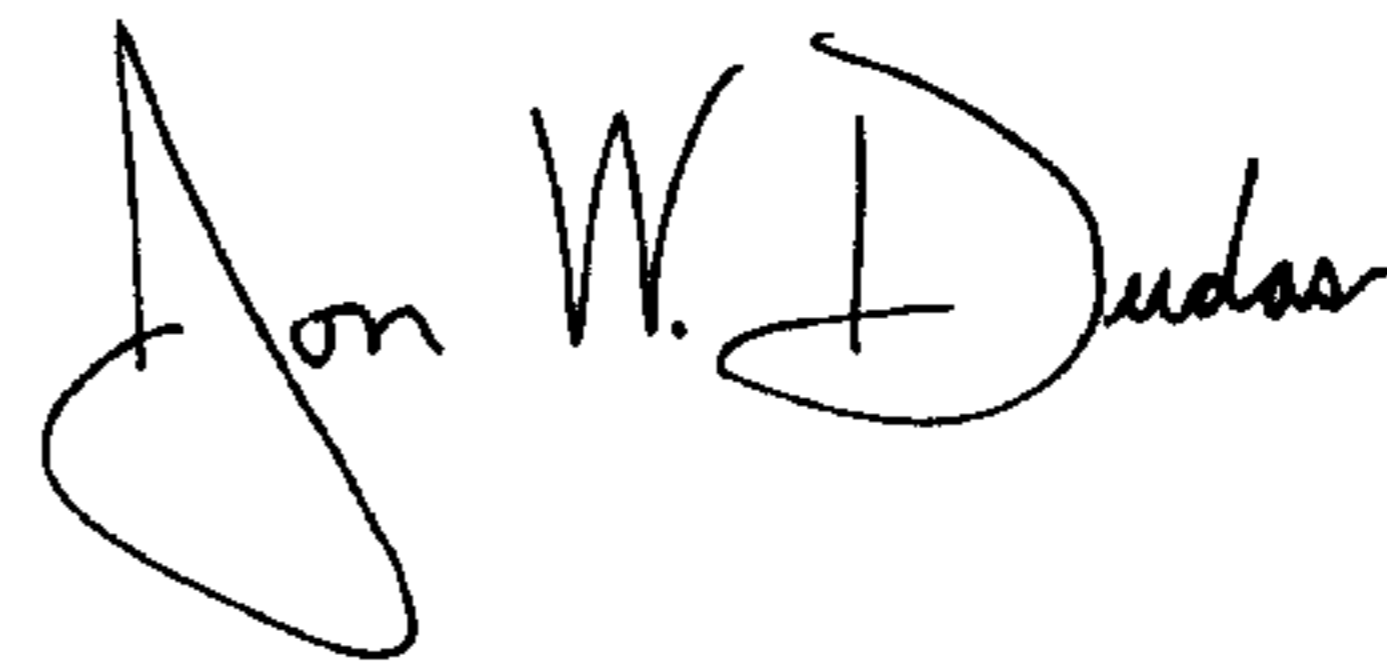
Insert Item:

-- [30] **Foreign Application Priority Data**

December 13, 2000 International Patent. DM/054 522 --

Signed and Sealed this

Twentieth Day of January, 2004



JON W. DUDAS

Acting Director of the United States Patent and Trademark Office