



US00D480287S

(12) **United States Design Patent**
Scola et al.

(10) **Patent No.:** **US D480,287 S**

(45) **Date of Patent:** **** Oct. 7, 2003**

(54) **STAPLER HANDLE**

OTHER PUBLICATIONS

(75) Inventors: **Michael J. Scola**, Roselle, IL (US);
Steven C. Slowik, Wheeling, IL (US);
Anthony Jairam, Sunrise, FL (US);
John Chap, Lemont, IL (US)

(73) Assignee: **ACCO Brands, Inc.**, Lincolnshire, IL (US)

(**) Term: **14 Years**

(21) Appl. No.: **29/176,124**

(22) Filed: **Feb. 19, 2003**

Related U.S. Application Data

(62) Division of application No. 29/151,685, filed on Dec. 3, 2001, now Pat. No. Des. 472,436.

(51) **LOC (7) Cl.** **19-02**

(52) **U.S. Cl.** **D8/50**

(58) **Field of Search** D8/49, 50, 61,
D8/107; D19/72, 110.1; 227/120, 127, 128,
131, 132, 134, 156

(56) **References Cited**

U.S. PATENT DOCUMENTS

1,967,064	A	*	7/1934	Polzer	227/134
D319,563	S	*	9/1991	Rosenblad	D8/50
D361,486	S	*	8/1995	Yang	D8/50
D367,414	S	*	2/1996	Chi	D8/50
5,492,261	A	*	2/1996	Chi	227/128
5,692,667	A	*	12/1997	Chi	227/134
D401,825	S	*	12/1998	Parsey et al.	D8/50
D447,396	S	*	9/2001	Arns	D8/50
D447,676	S	*	9/2001	Wilson et al.	D8/50
D468,981	S	*	1/2003	Nolan	D8/50
D471,414	S	*	3/2003	Chan	D8/50

Acco Brands Fact Book 2001 Catalog, pp. 178–180.*
Swingline 900XD.
Swingline 39 Heavy Duty Stapler.
Bostitch Model B300HDS.
Botitch Model B310HDS.
Swingline 390.
Bostitch Model 00540.
Bostitch Model 136, stock No. 73136.
Swingline 390.
Swingline 390.
Swingline 413.
Acco Brands staplers: Acco Brands Fact Book 2001 Catalog p. 187.

* cited by examiner

Primary Examiner—Adir Aronovich
(74) *Attorney, Agent, or Firm*—Michael Best & Friedrich LLP

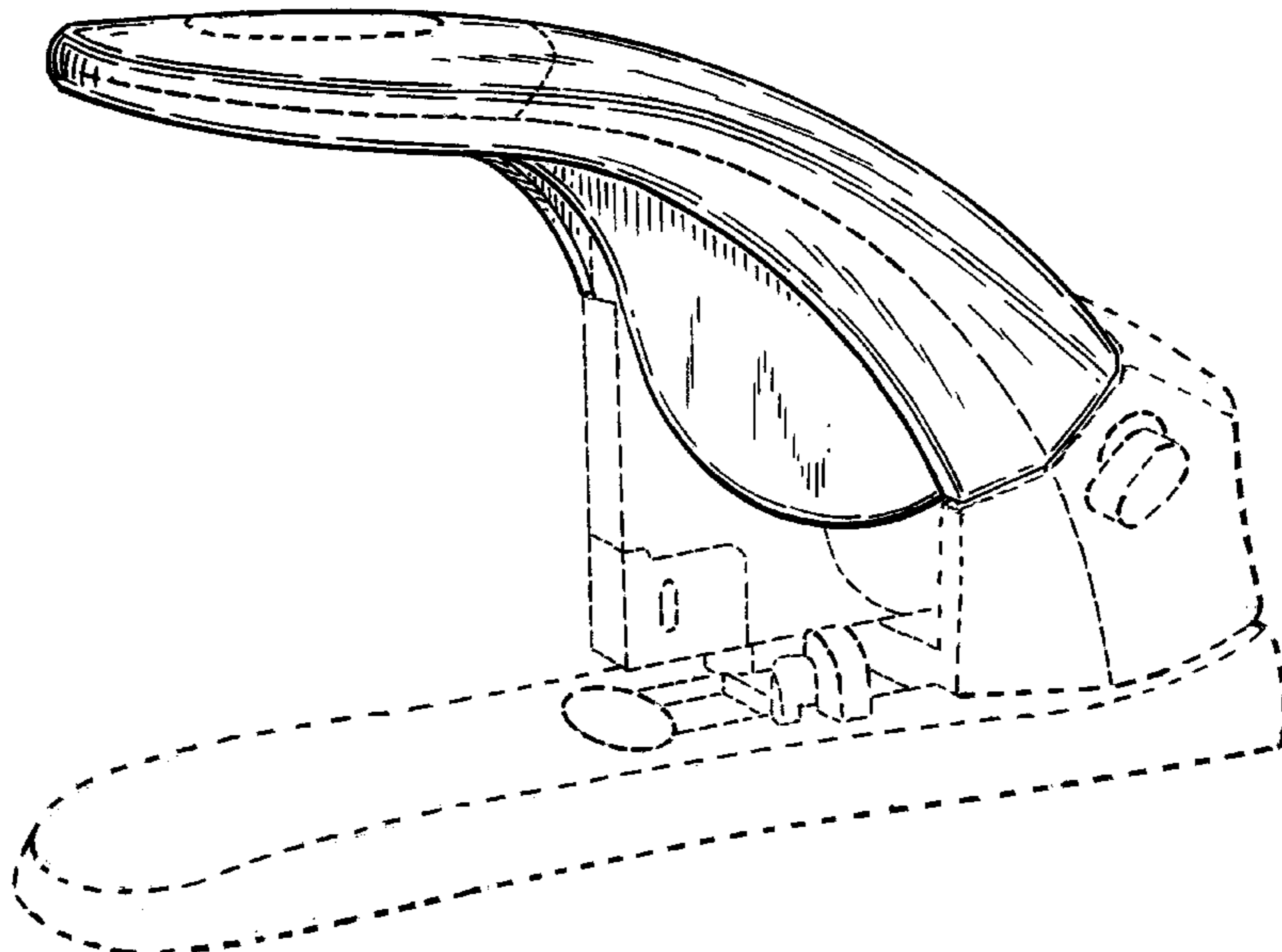
(57) **CLAIM**

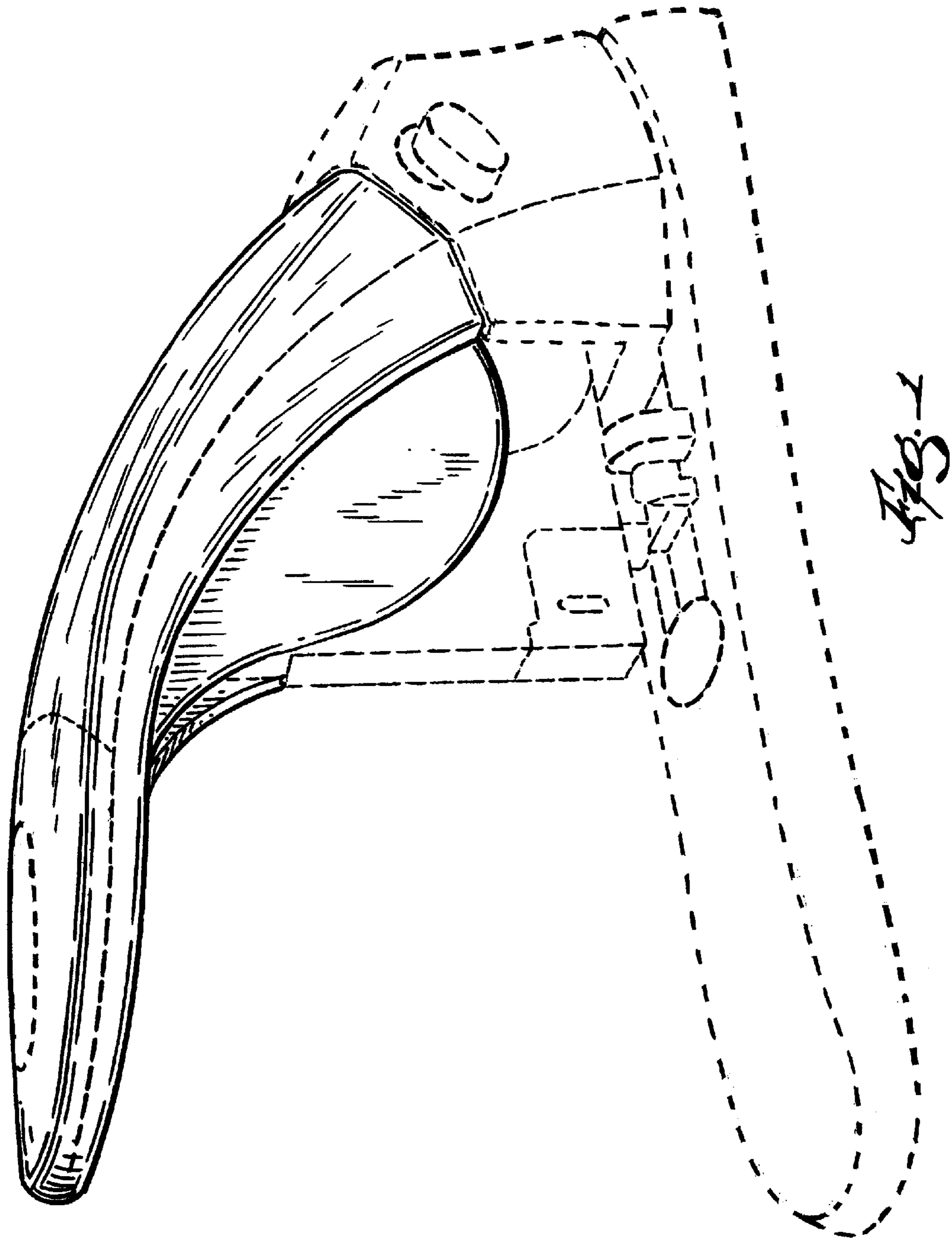
The ornamental design for a stapler handle, as shown and described.

DESCRIPTION

FIG. 1 is a perspective view of a stapler handle embodying the present invention.
FIG. 2 is side view of the stapler handle.
FIG. 3 is a top view of the stapler handle.
FIG. 4 is a front view of the stapler handle; and,
FIG. 5 is a rear view of the stapler handle.
The portions of the stapler and stapler handle in broken lines are shown as environment or for illustrative purposes only and form no part of the claimed design.

1 Claim, 4 Drawing Sheets





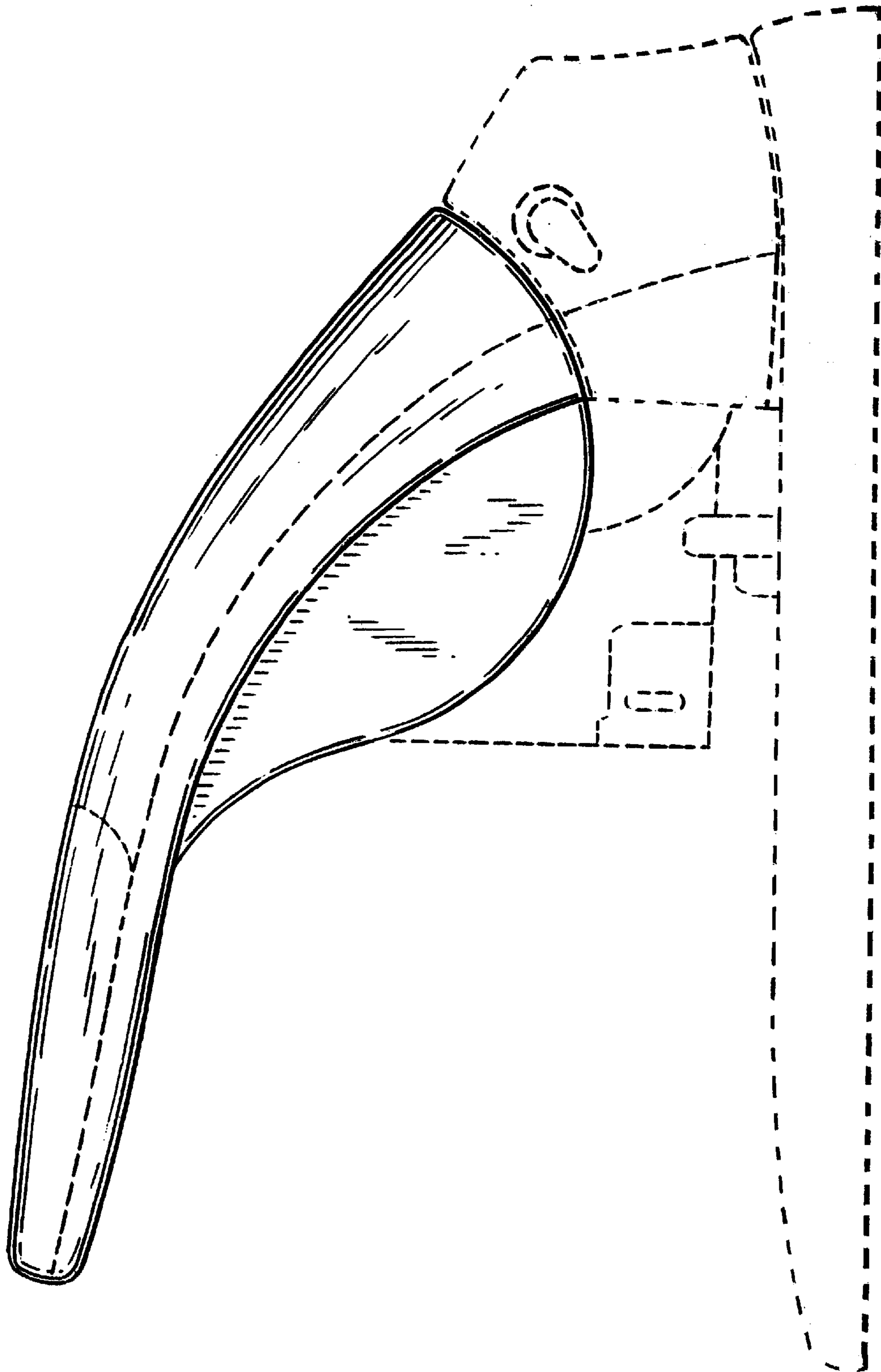


Fig. 2

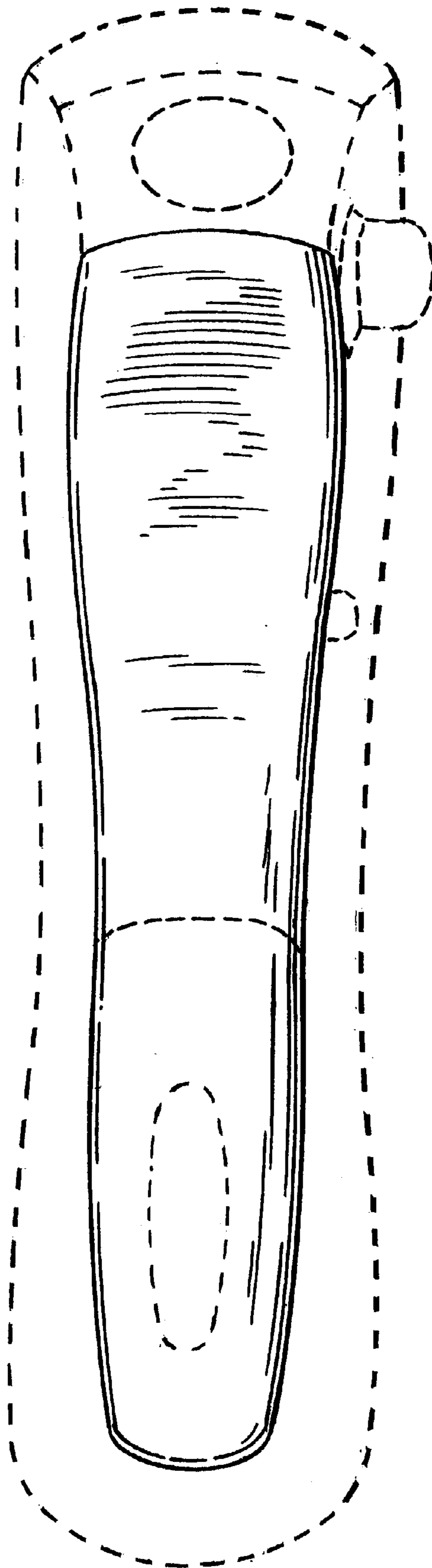


Fig. 3

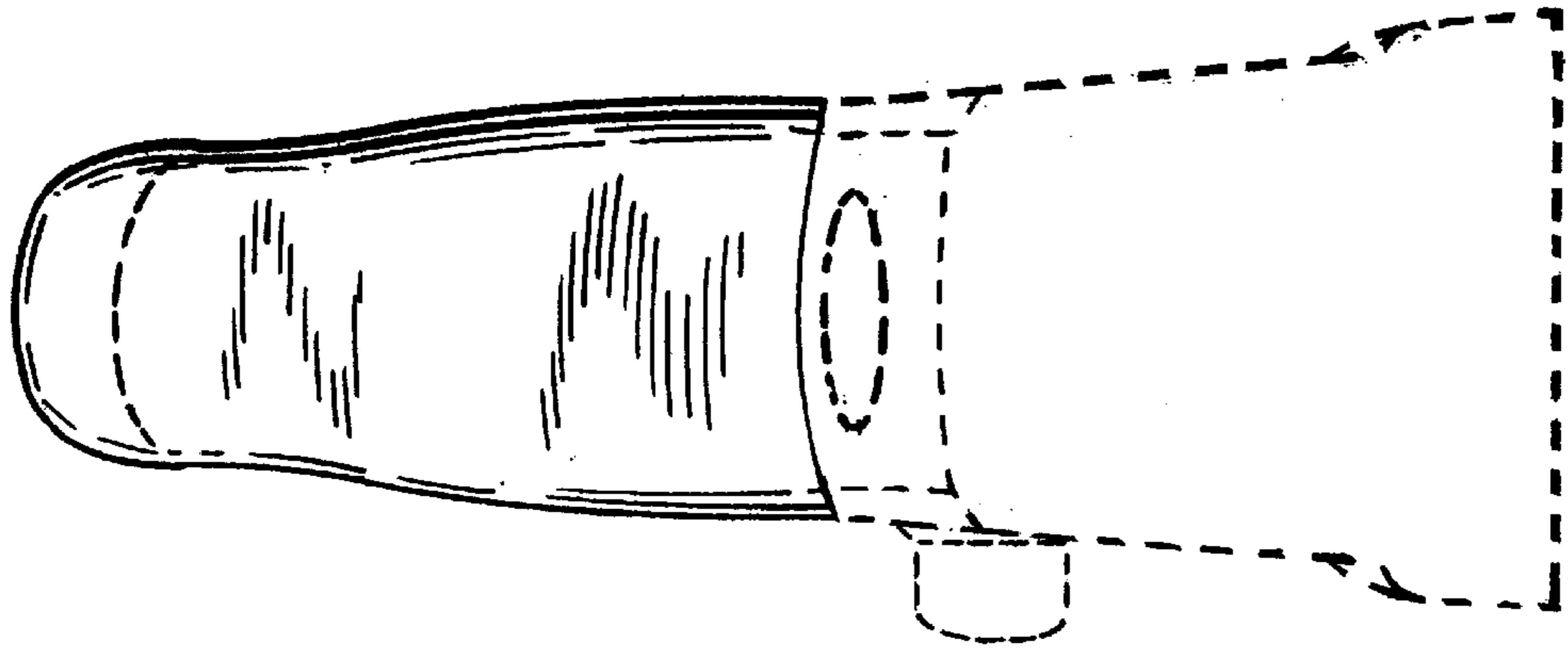


Fig. 5

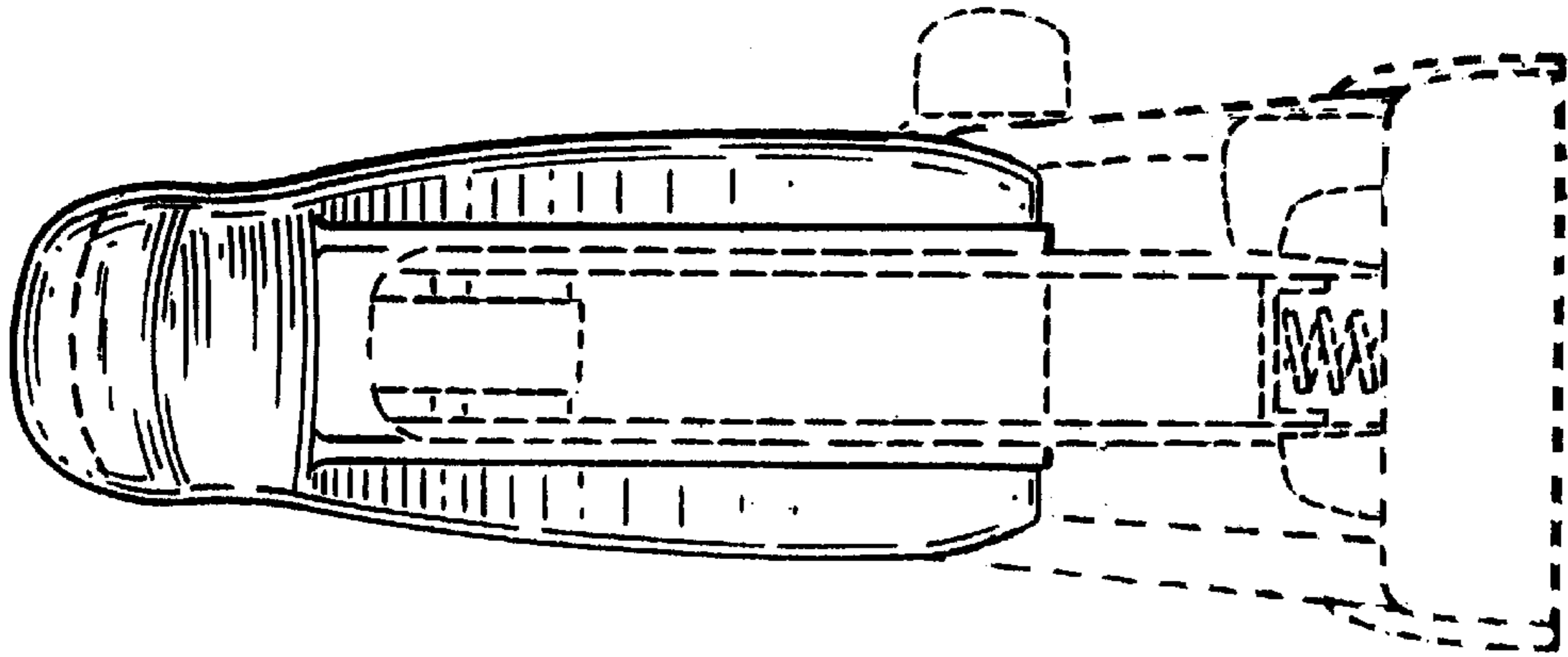


Fig. 4