



US00D480286S

(12) **United States Design Patent**  
**Kehoe**

(10) **Patent No.:** **US D480,286 S**

(45) **Date of Patent:** **\*\* Oct. 7, 2003**

(54) **SPIRAL MEMBER SUPPORT FOR CORK EXTRACTOR**

(75) Inventor: **Daniel P. Kehoe**, Whitby (CA)

(73) Assignees: **Product Specialties Inc.**, Whitby (CA);  
**Concept Solutions Limited**, Hong Kong (HK)

(\*\*) Term: **14 Years**

(21) Appl. No.: **29/163,343**

(22) Filed: **Jul. 3, 2002**

(51) **LOC (7) Cl.** ..... **07-06**

(52) **U.S. Cl.** ..... **D8/42**

(58) **Field of Search** ..... D8/33-43; 7/151-156;  
30/400-450; 81/3.07-3.49

(56) **References Cited**

**U.S. PATENT DOCUMENTS**

- D445,008 S \* 7/2001 Andina et al. .... D8/42
- D467,141 S \* 12/2002 Li ..... D8/39
- D467,143 S \* 12/2002 Kehoe ..... D8/39

D468,602 S \* 1/2003 Yu ..... D8/39

\* cited by examiner

*Primary Examiner*—Caron D. Veynar

(57) **CLAIM**

I claim the ornamental design for a spiral member support for cork extractor, as shown.

**DESCRIPTION**

FIG. 1 - is a right side and top perspective view of a first embodiment of the spiral member support for cork extractor;  
 FIG. 2 - is a left side and bottom perspective view thereof;  
 FIG. 3 - is a right side view thereof;  
 FIG. 4 - is a rear view thereof;  
 FIG. 5 - is a left side view thereof;  
 FIG. 6 - is a front side view thereof;  
 FIG. 7 - is a top plan view thereof;  
 FIG. 8 - is a bottom plan view thereof;  
 FIG. 9 - is a right side and top perspective view of a second embodiment of the spiral member support for cork extractor;  
 FIG. 10 - is a left side and bottom perspective view thereof;  
 and,  
 FIG. 11 - is a front side view thereof.

**1 Claim, 3 Drawing Sheets**

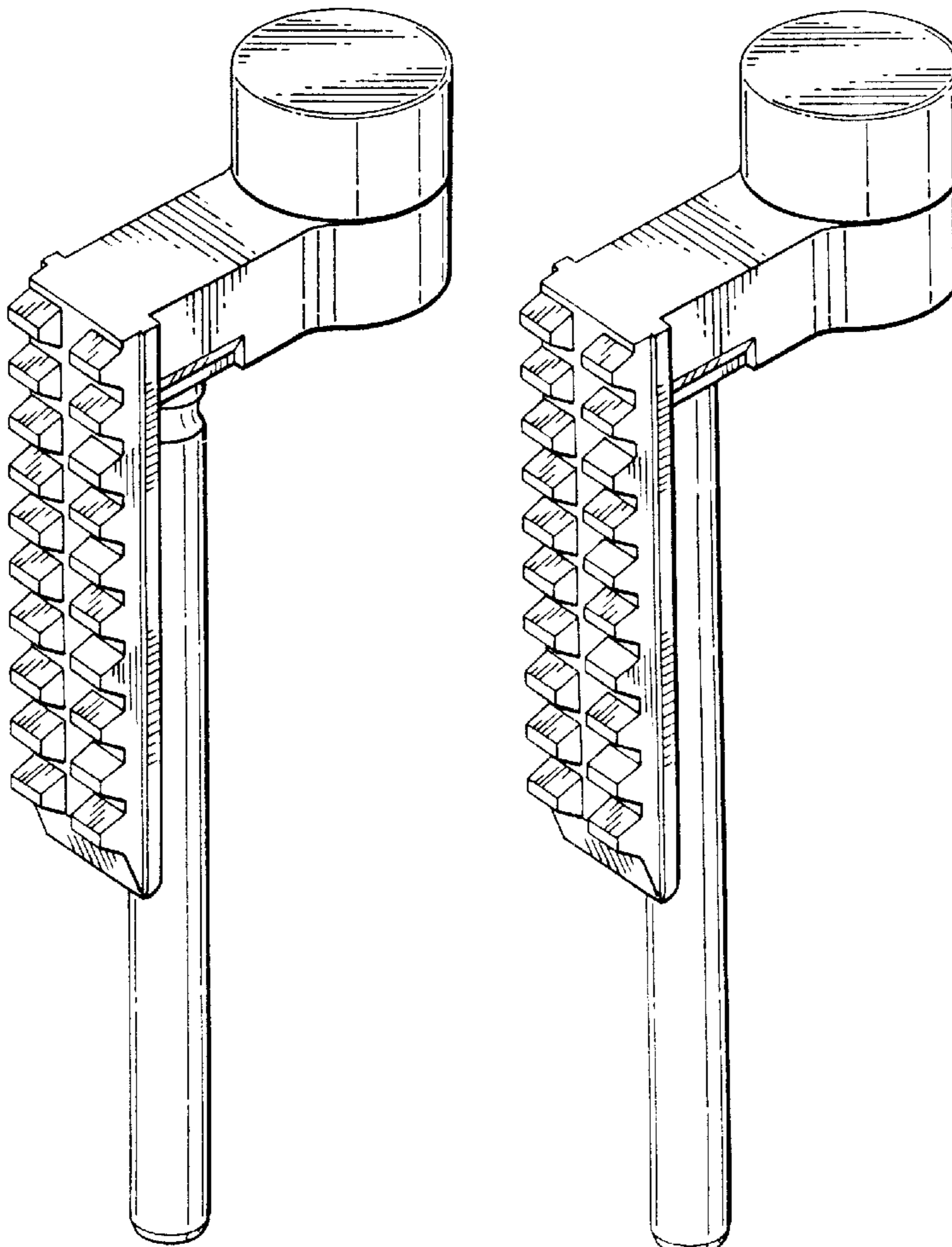


FIG. 1.

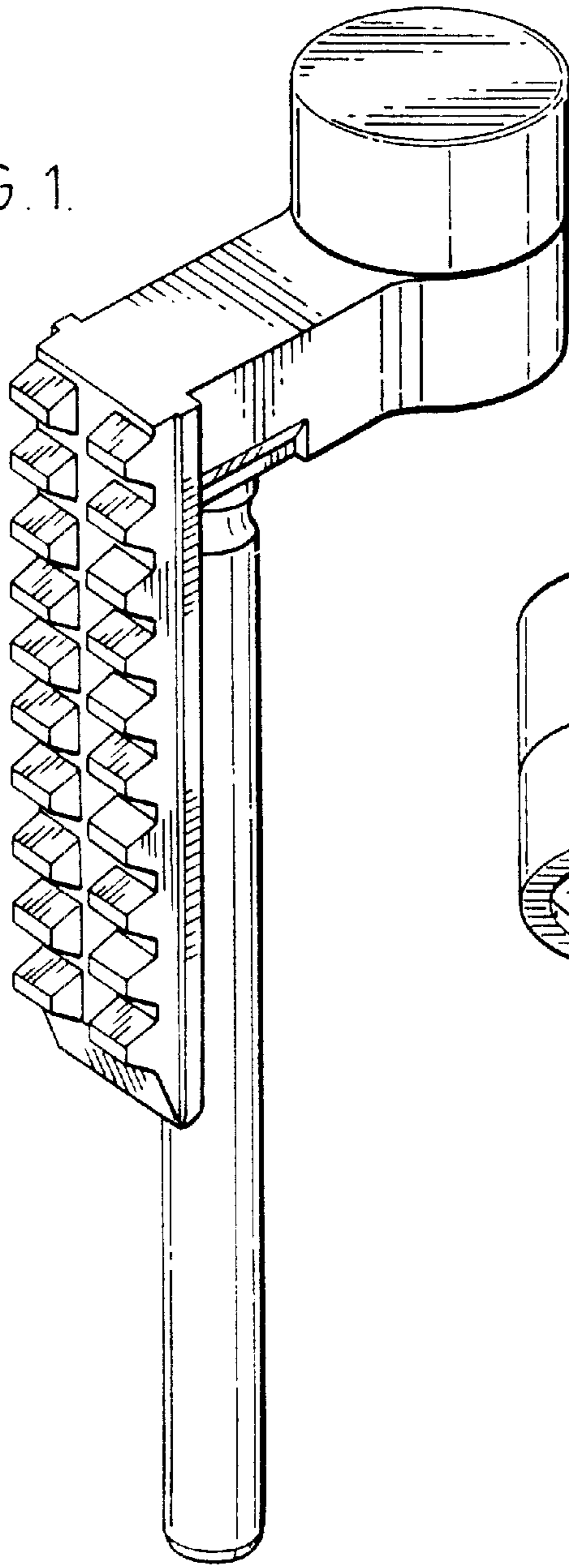


FIG. 2.

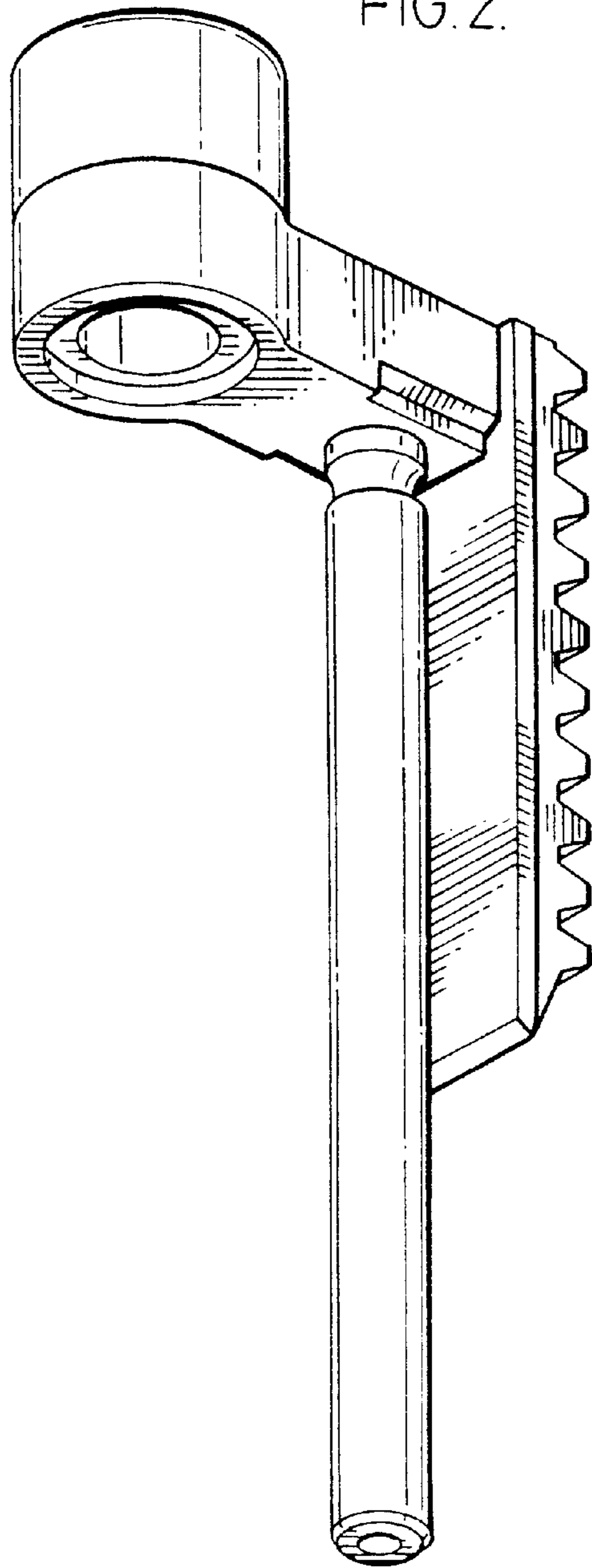


FIG. 3.

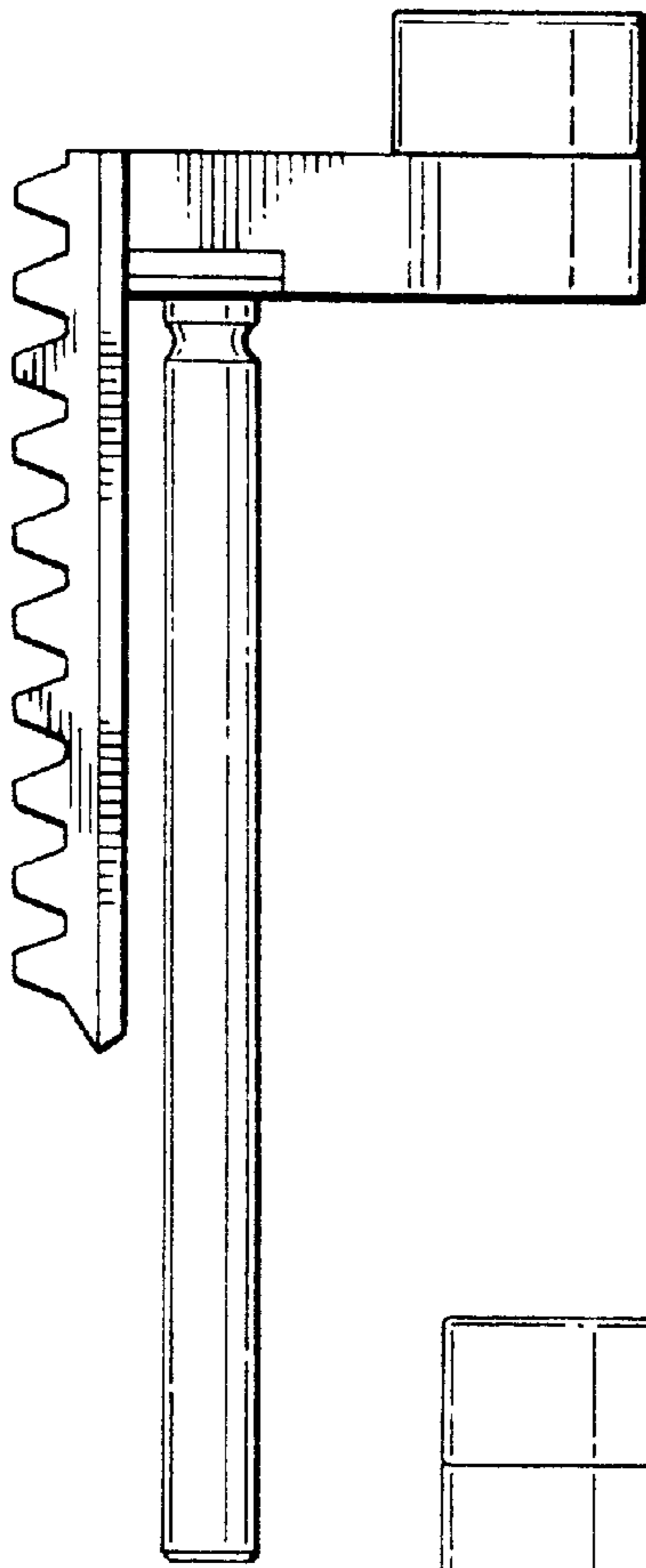


FIG. 4.

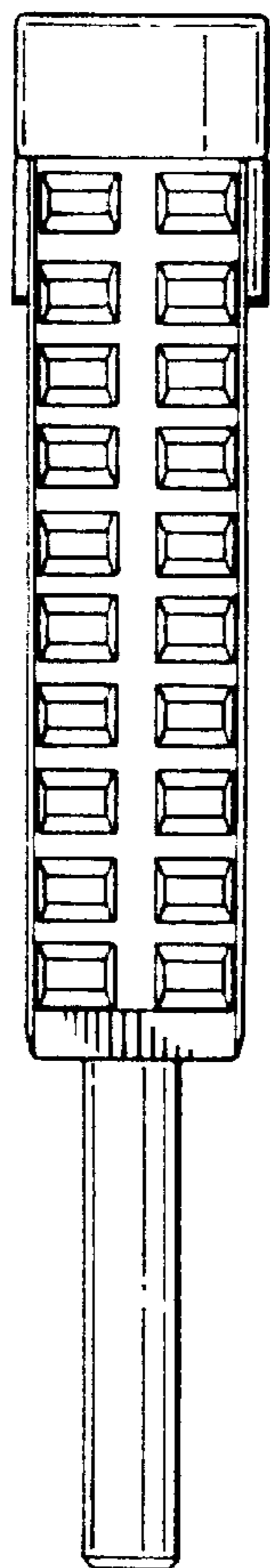


FIG. 5.

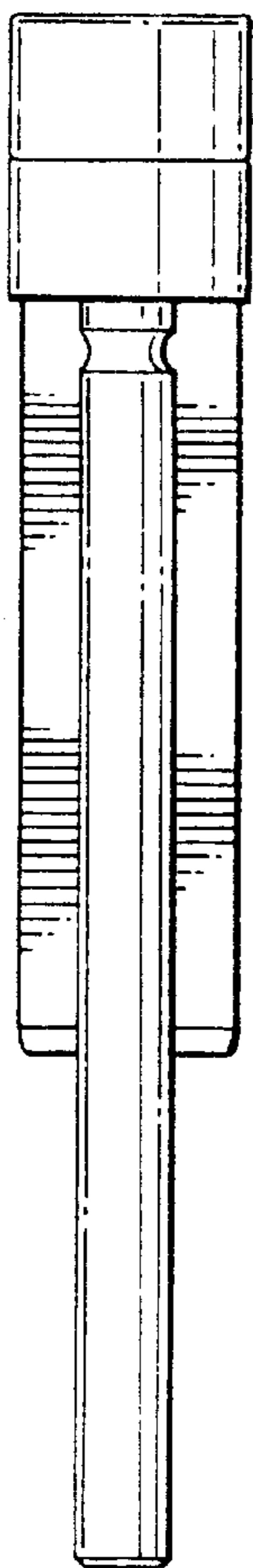
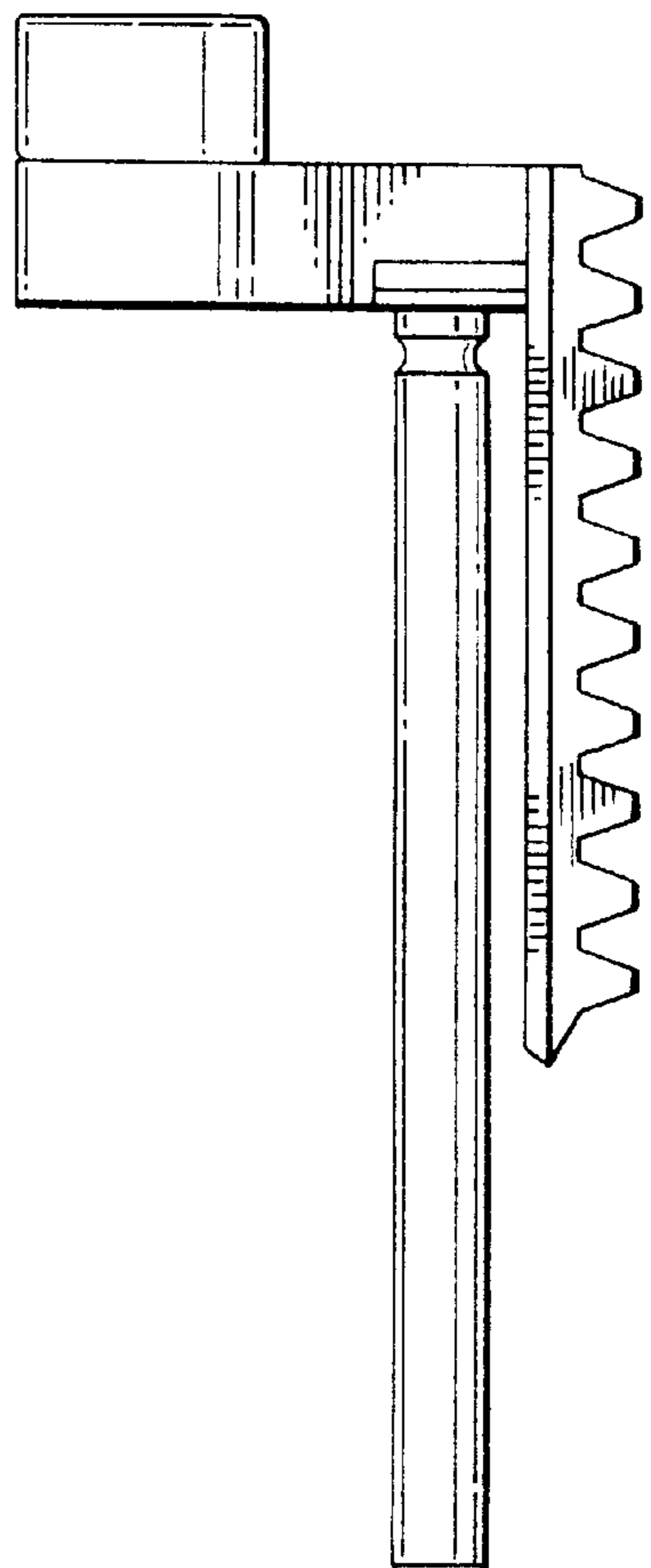


FIG. 6.

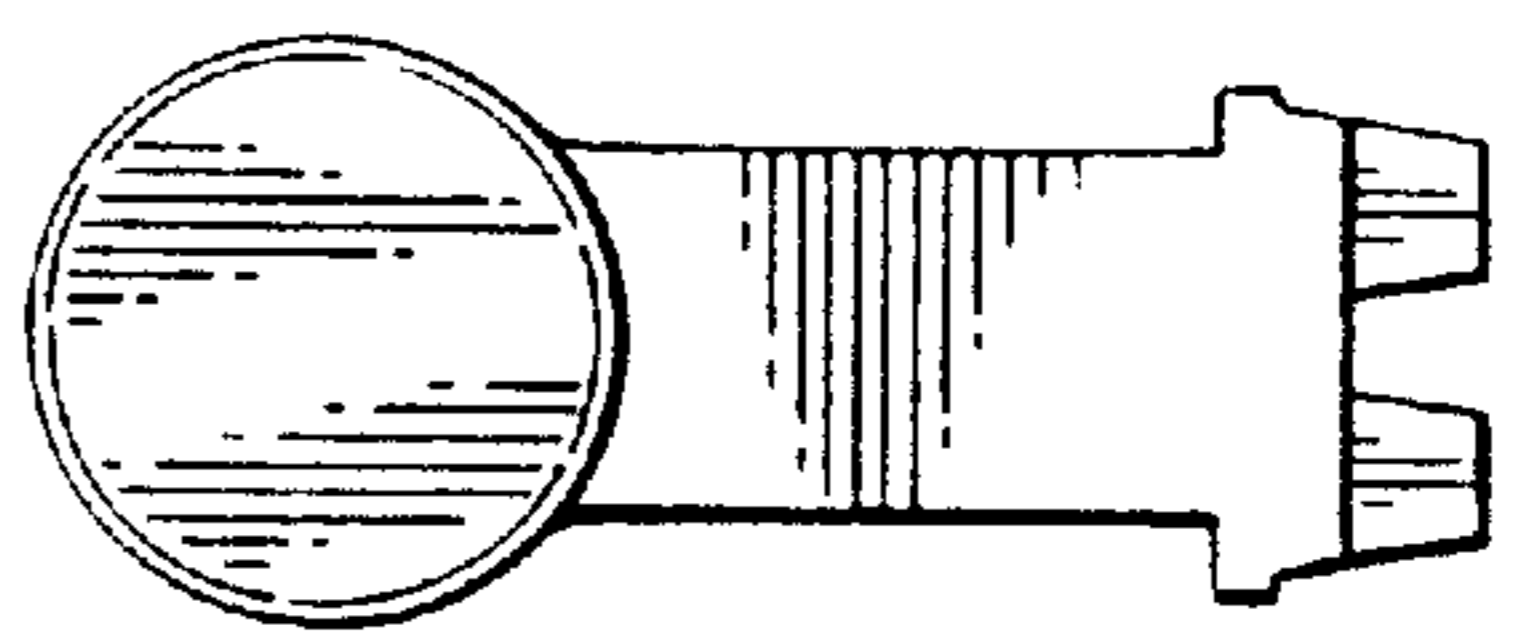


FIG. 7.

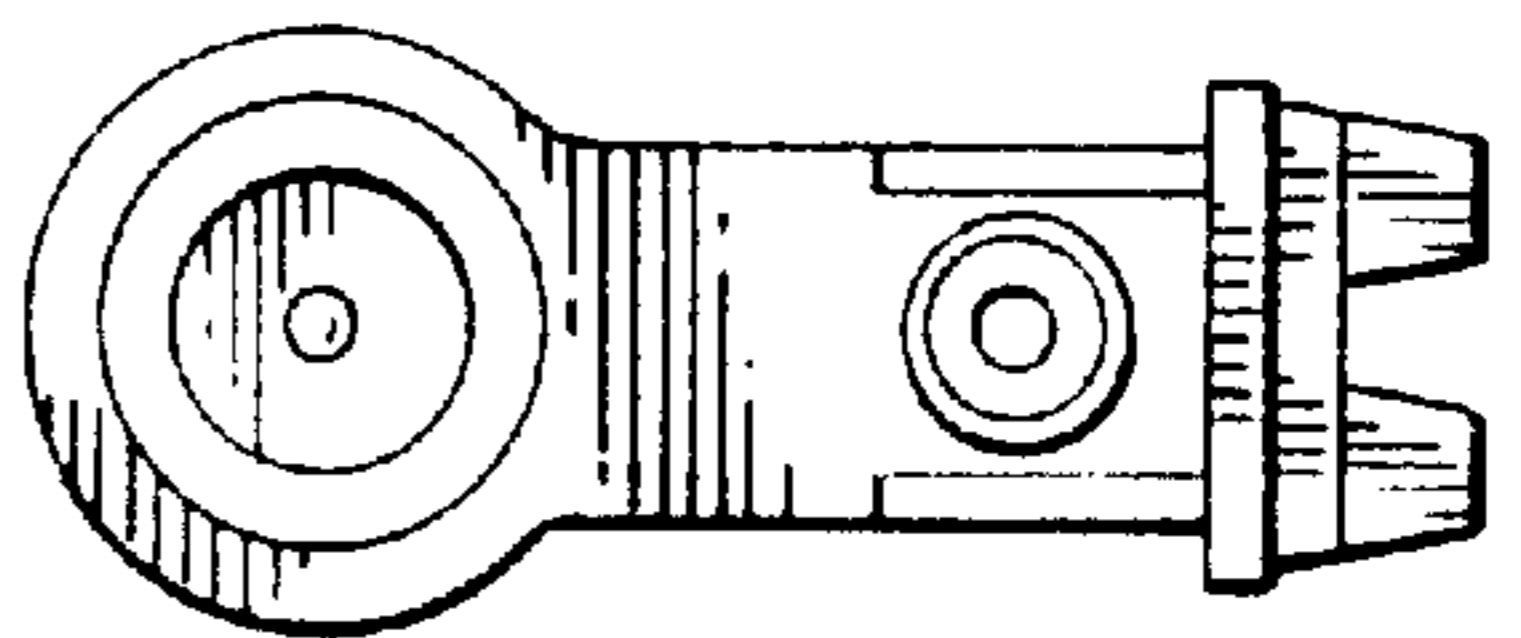


FIG. 8.

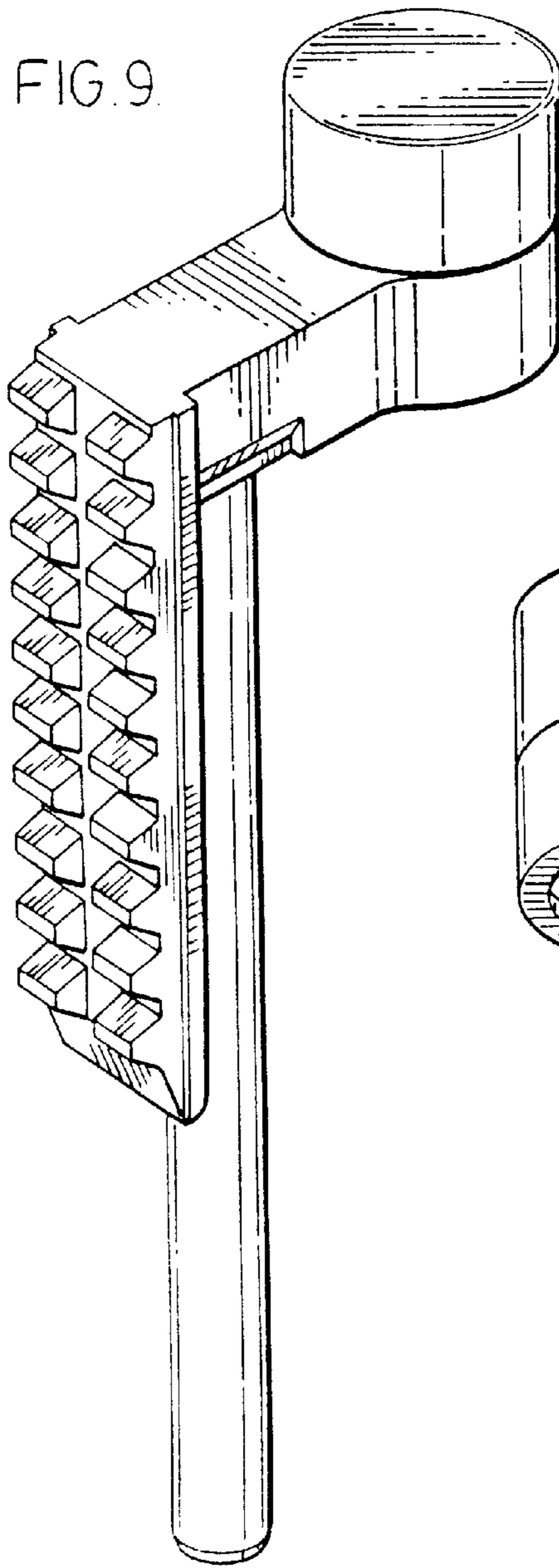


FIG. 10.

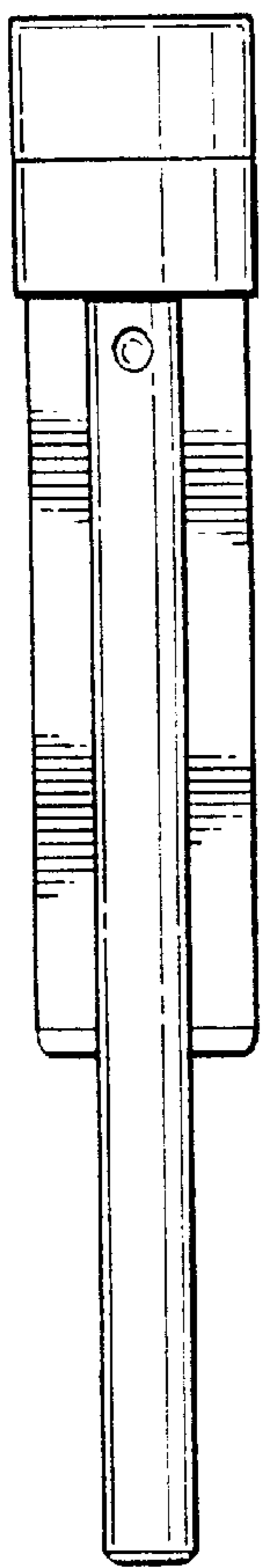
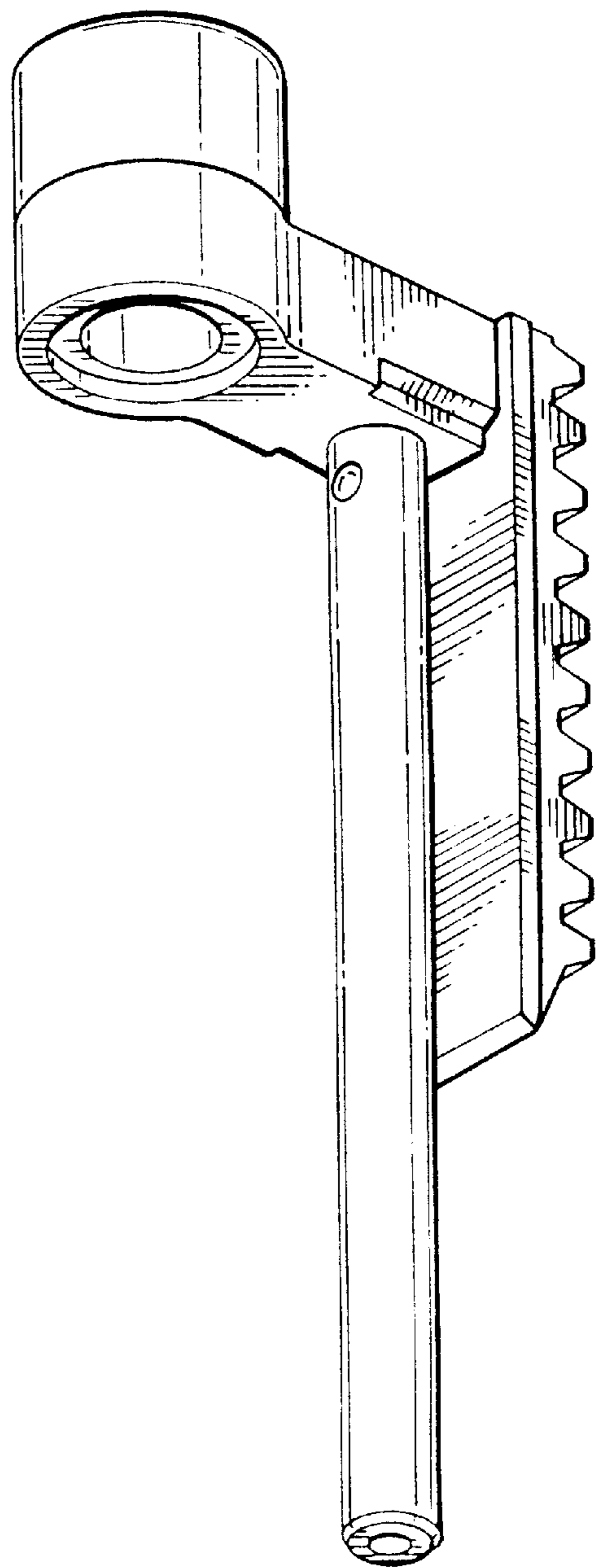


FIG. 11.