



US00D480277S

(12) **United States Design Patent**  
**Claypool**

(10) **Patent No.:** **US D480,277 S**

(45) **Date of Patent:** **\*\* Oct. 7, 2003**

(54) **FOOD CONTAINER**

(75) **Inventor:** **Christopher J. Claypool**, Orlando, FL (US)

(73) **Assignee:** **Dart Industries Inc.**, Orlando, FL (US)

(\*\*) **Term:** **14 Years**

(21) **Appl. No.:** **29/169,849**

(22) **Filed:** **Oct. 25, 2002**

(51) **LOC (7) Cl.** ..... **07-01**

(52) **U.S. Cl.** ..... **D7/629**

(58) **Field of Search** ..... D7/601-602, 629,  
D7/538-542; D9/414, 424, 425, 430-432;  
206/541; 220/675, 669-676, 780-799; 229/406,  
407, 902, 938

5,427,265 A	*	6/1995	Cautereels et al. ....	206/541
5,615,765 A		4/1997	Roericht .....	206/45.23
D386,685 S		11/1997	Miller .....	D9/449
5,762,228 A		6/1998	Morgan et al. ....	220/367.1
5,787,839 A		8/1998	Magnant et al. ....	119/51.5
D409,911 S	*	5/1999	Guillin .....	D9/430
D418,020 S		12/1999	Tardif .....	D7/602
6,112,899 A		9/2000	Zeringue .....	206/541
6,131,760 A		10/2000	Huang .....	220/526
6,144,016 A		11/2000	Garvin .....	219/387
D455,614 S		4/2002	Miller .....	D7/629

\* cited by examiner

*Primary Examiner*—Terry A. Wallace

(74) *Attorney, Agent, or Firm*—John A. Doninger

(57) **CLAIM**

The ornamental design for a food container, as shown and described.

(56) **References Cited**

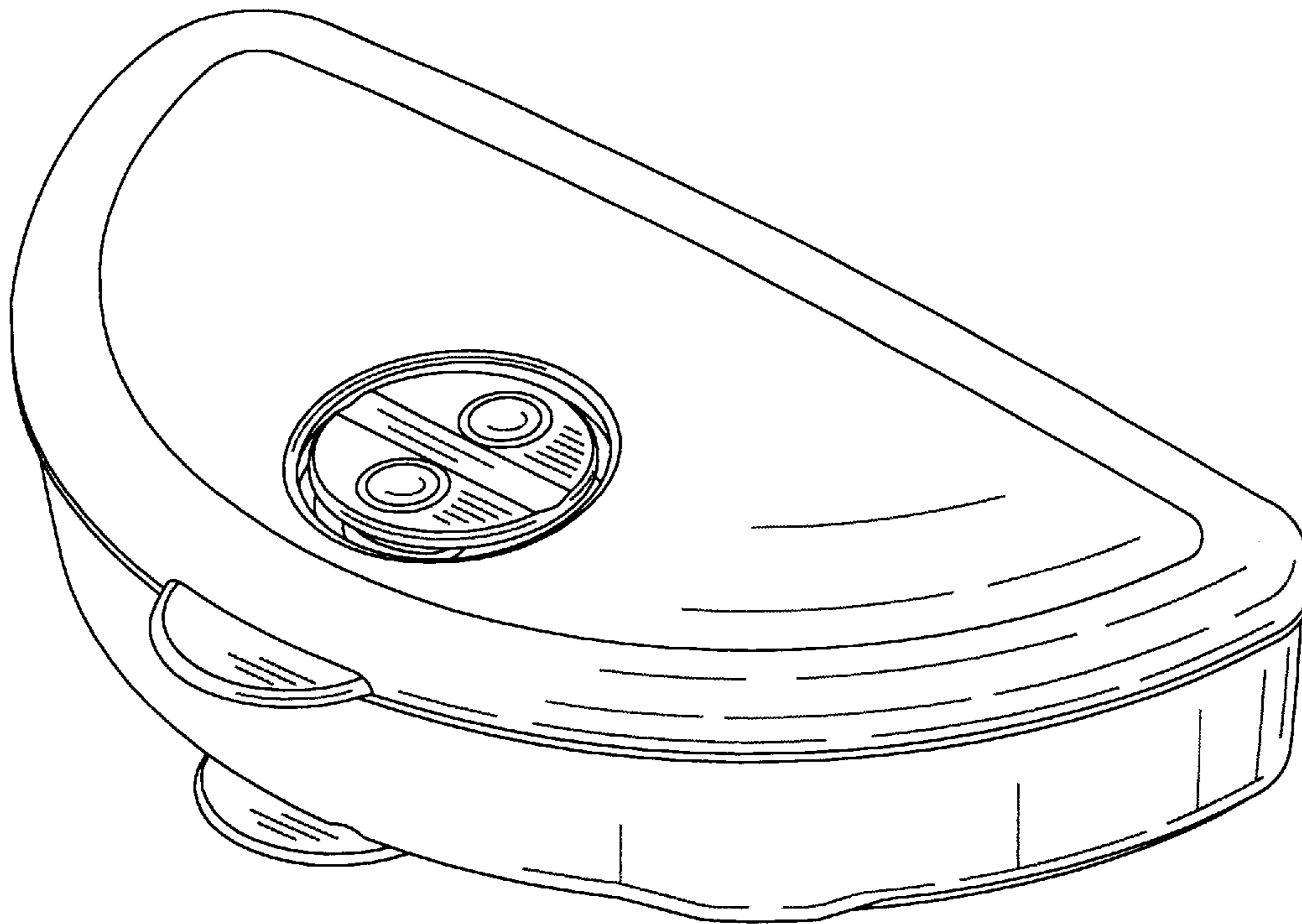
**U.S. PATENT DOCUMENTS**

3,871,523 A	3/1975	Bassett	
3,933,296 A	1/1976	Ruskin et al.	
D257,108 S	* 9/1980	Daenen .....	D7/587
4,830,190 A	5/1989	Inagaki	
5,188,234 A	2/1993	Fukuda et al.	
5,197,623 A	3/1993	Wang	
D351,536 S	10/1994	Maydwell	
5,363,978 A	11/1994	Molo	
D353,744 S	12/1994	Ferris et al.	
D353,748 S	12/1994	Ferris et al.	

**DESCRIPTION**

FIG. 1 is a top, side and front perspective view of a food container showing the new design;  
FIG. 2 is a front elevation view thereof;  
FIG. 3 is a rear elevation view thereof;  
FIG. 4 is a left side elevation view thereof;  
FIG. 5 is a right side elevation view thereof;  
FIG. 6 is a top plan view thereof; and,  
FIG. 7 is a bottom plan view thereof.

**1 Claim, 3 Drawing Sheets**



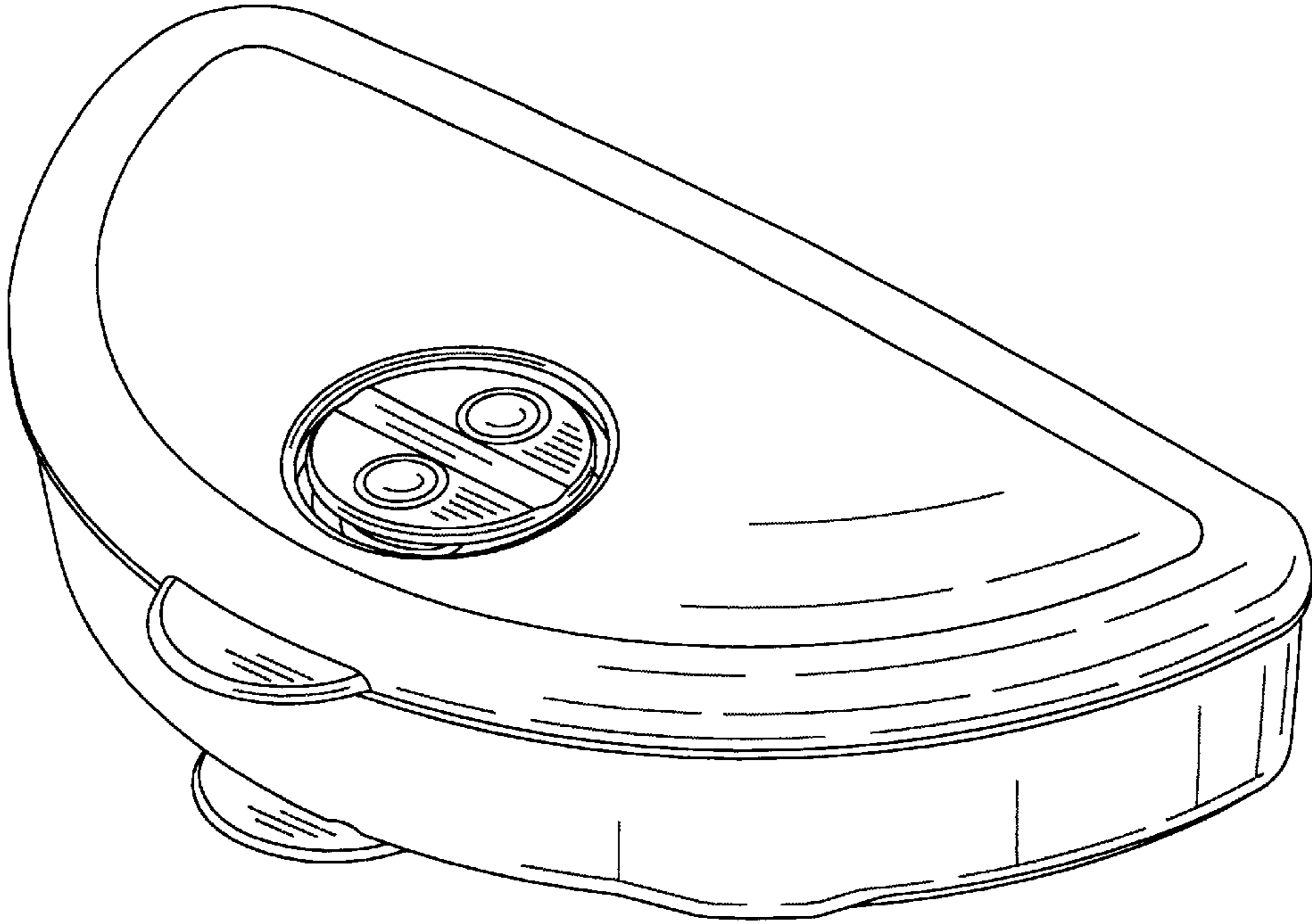


FIG. 1

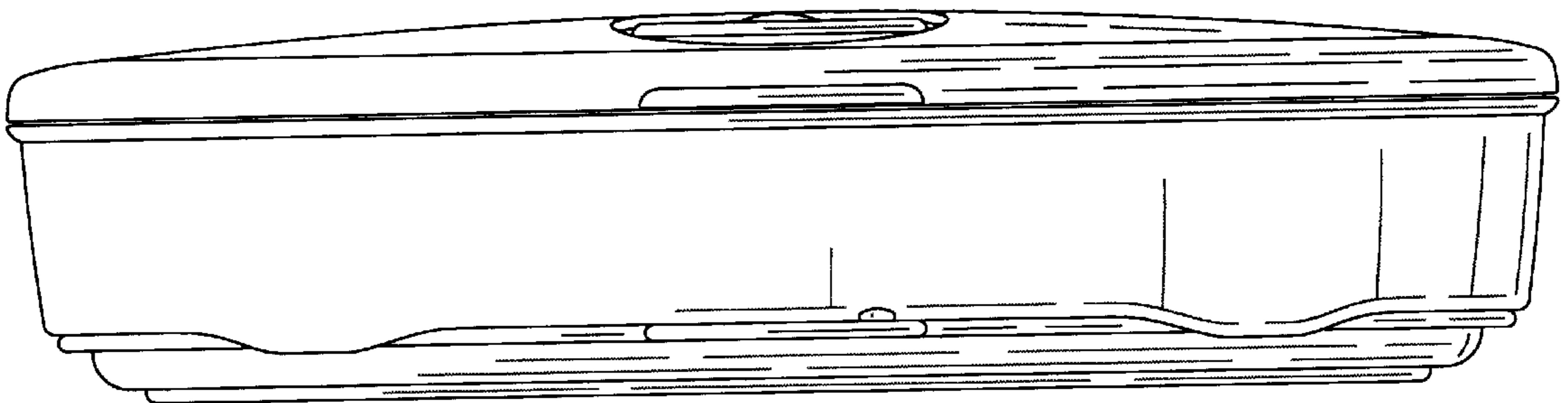


FIG. 2

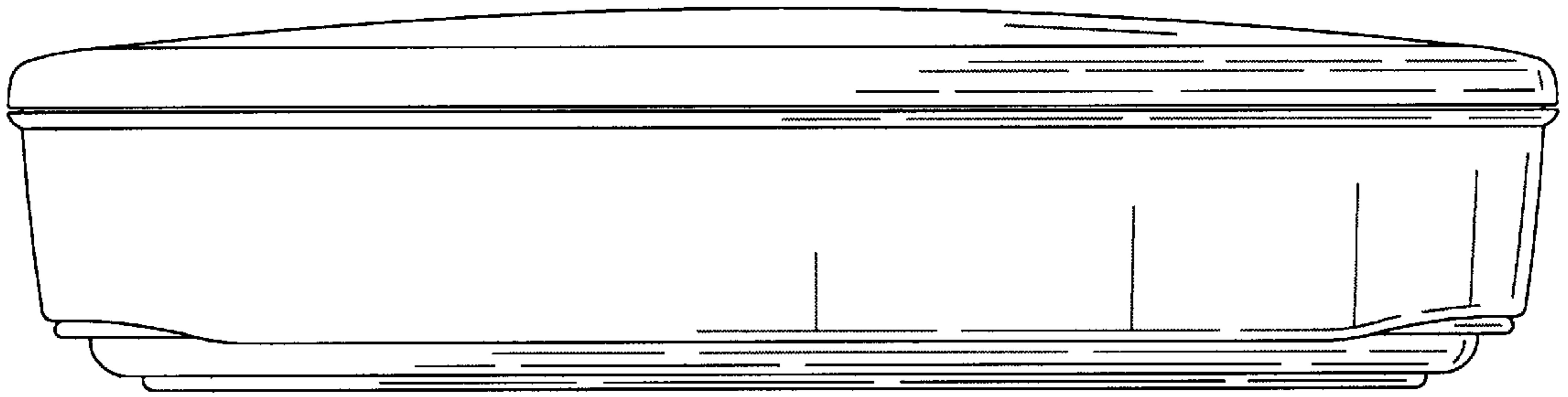


FIG. 3

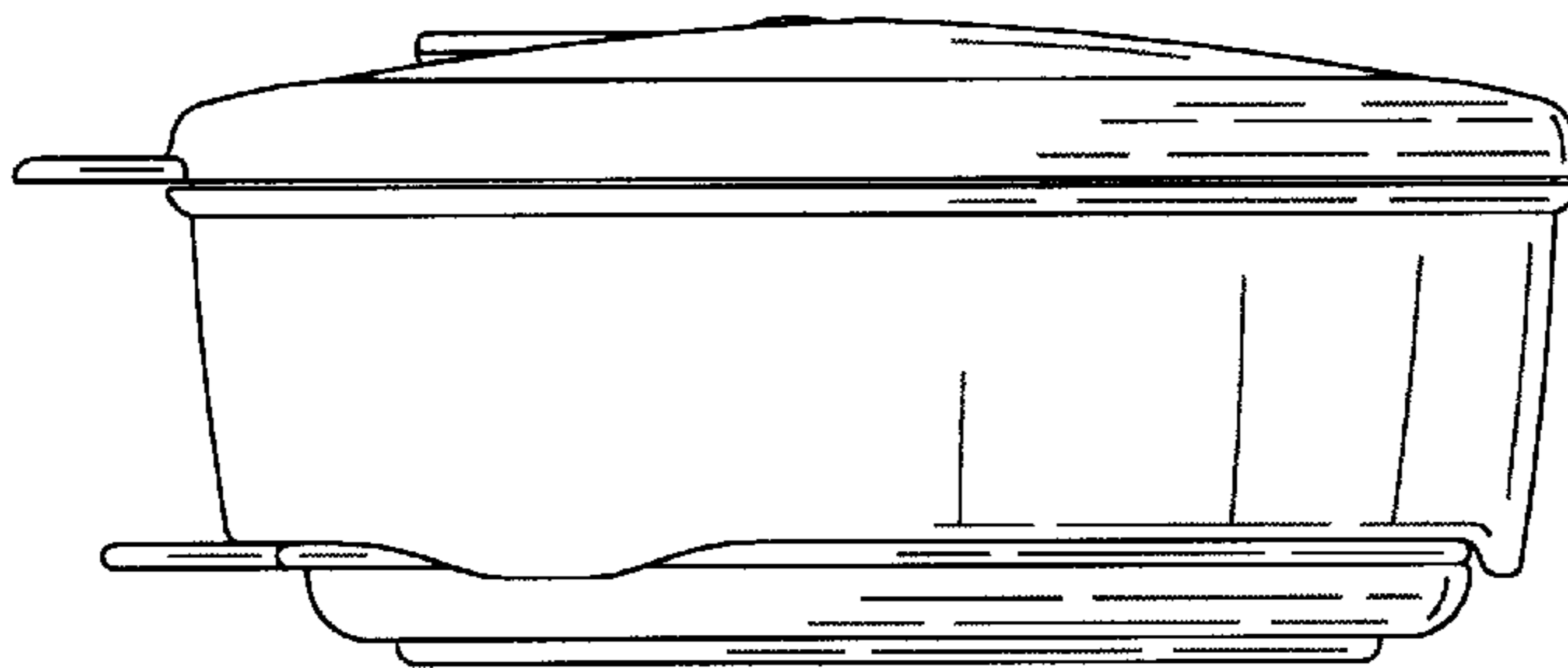


FIG. 4

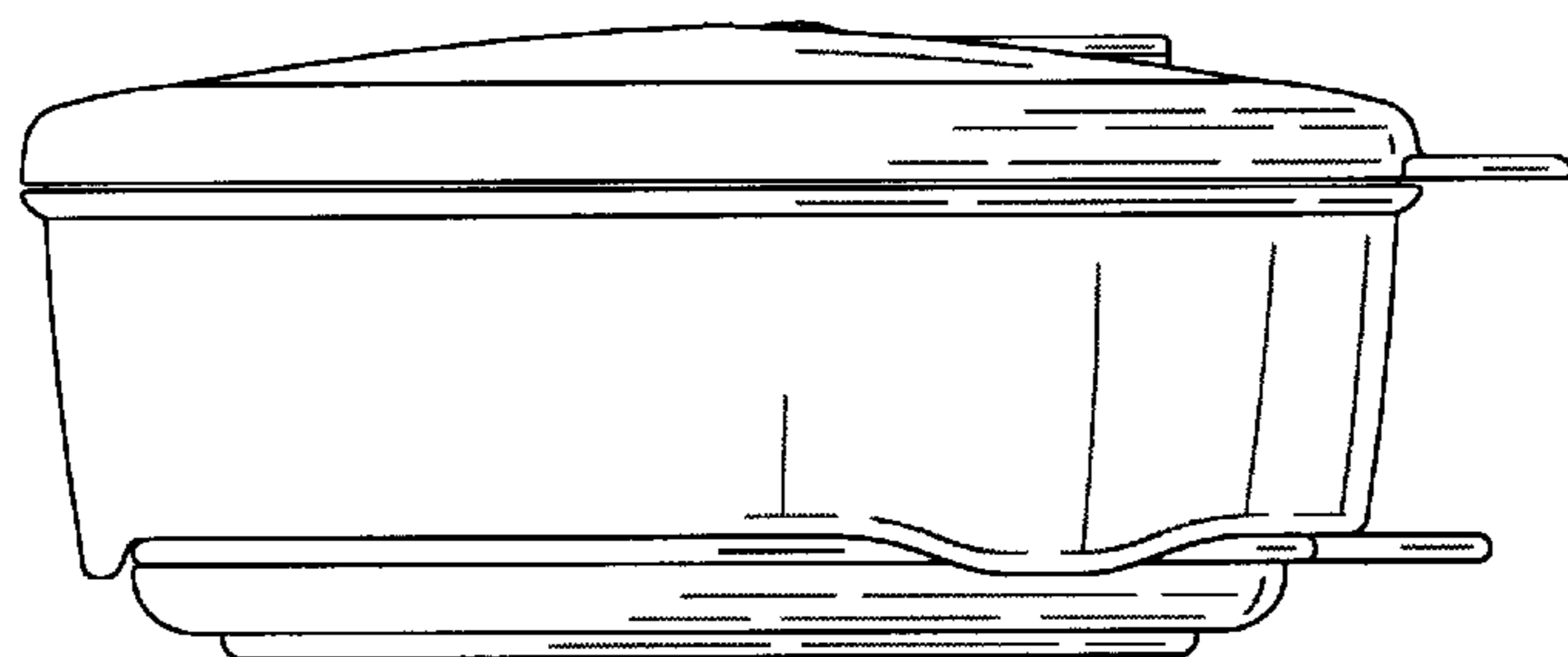


FIG. 5

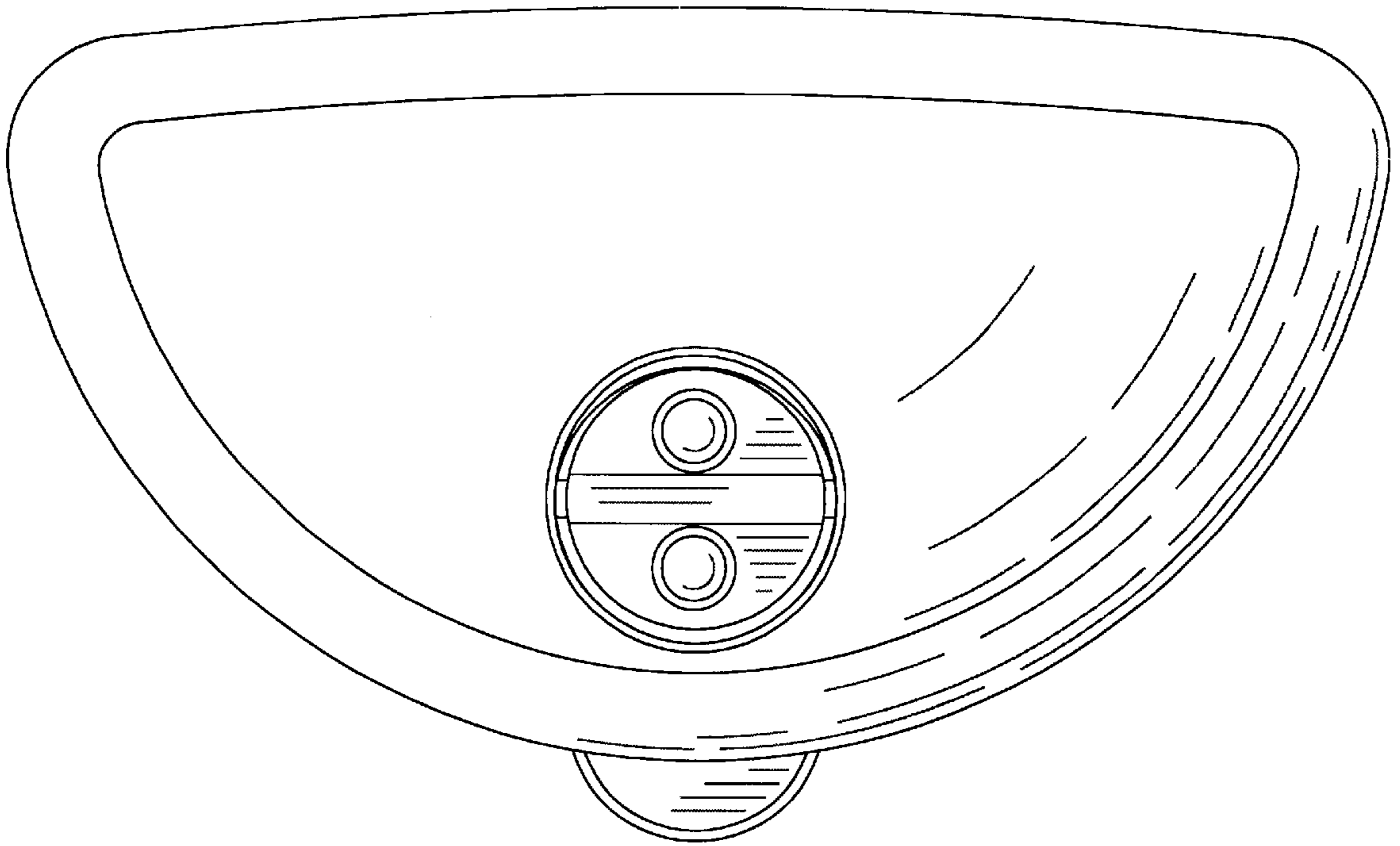


FIG. 6

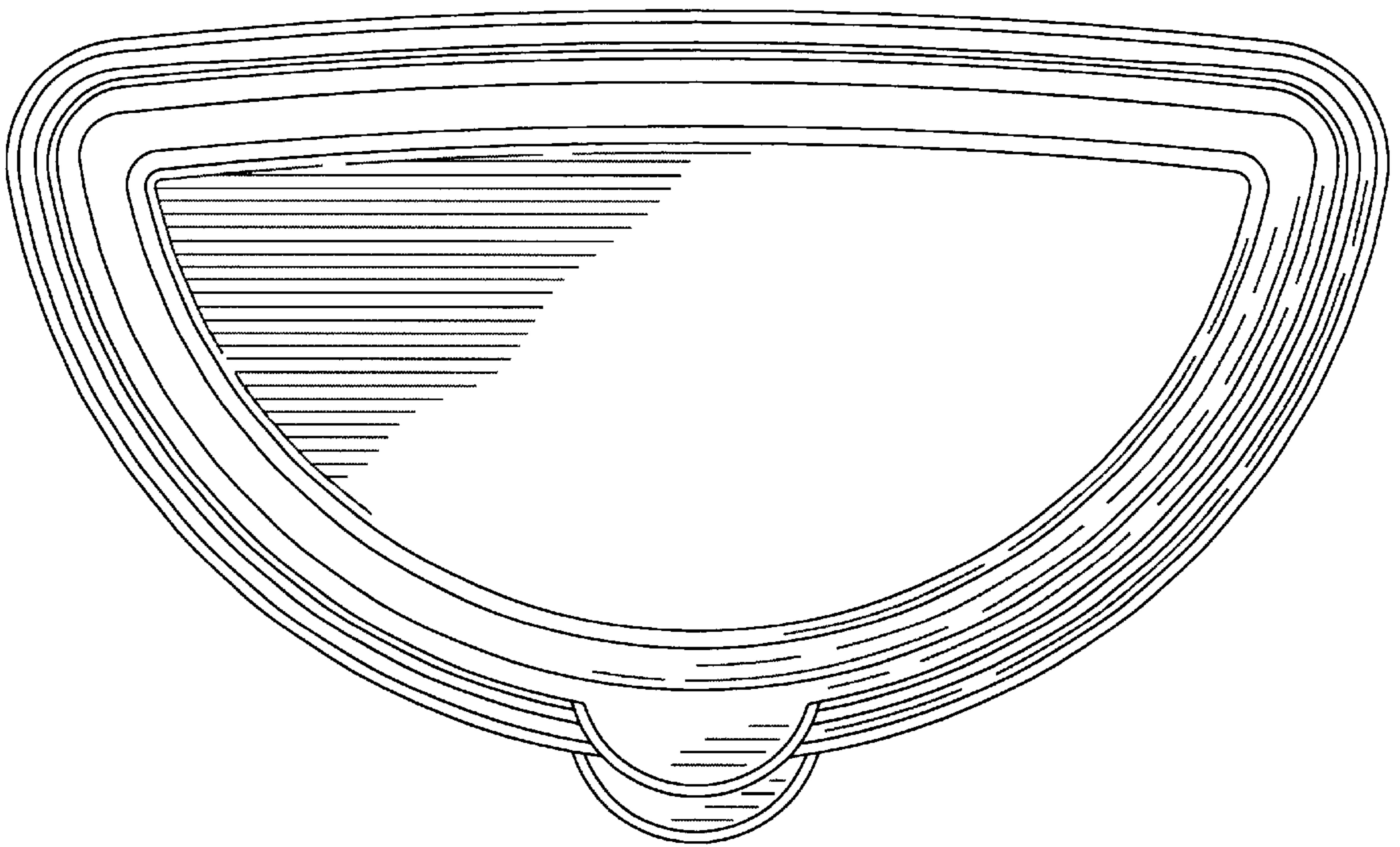


FIG. 7