



US00D480276S

(12) **United States Design Patent**
Duart et al.

(10) **Patent No.: US D480,276 S**

(45) **Date of Patent: ** Oct. 7, 2003**

(54) **WHEELED COOLER**

(76) Inventors: **Bonnie Duart**, 10 East Ave., Norwich, CT (US) 06360; **Cynthia Bruner**, 49 Brown Ave., Jewett City, CT (US) 06351

(**) Term: **14 Years**

(21) Appl. No.: **29/166,832**

(22) Filed: **Sep. 4, 2002**

(51) **LOC (7) Cl. 07-01**

(52) **U.S. Cl. D7/605**

(58) **Field of Search** D7/605-608; 62/457.1-457.7, 62/371, 372; 280/30, 43.1, 43.24, 43.14, 47.18, 47.26, 47.34, 645, 651, 652; 297/188.04, 188.1, 217.1

(56) **References Cited**

U.S. PATENT DOCUMENTS

4,846,493 A * 7/1989 Mason 280/641

4,873,841 A * 10/1989 Bradshaw et al. 62/457.1

D322,915 S * 1/1992 Franklin D7/606

5,373,708 A * 12/1994 Dumoulin, Jr. 62/457.7

D415,658 S * 10/1999 Frehse D7/605

* cited by examiner

Primary Examiner—Terry A. Wallace

(57) **CLAIM**

The ornamental design for a wheeled cooler, as shown and described.

DESCRIPTION

FIG. 1 is a front elevational view of a wheeled cooler showing our new design;

FIG. 2 is a rear elevational view thereof;

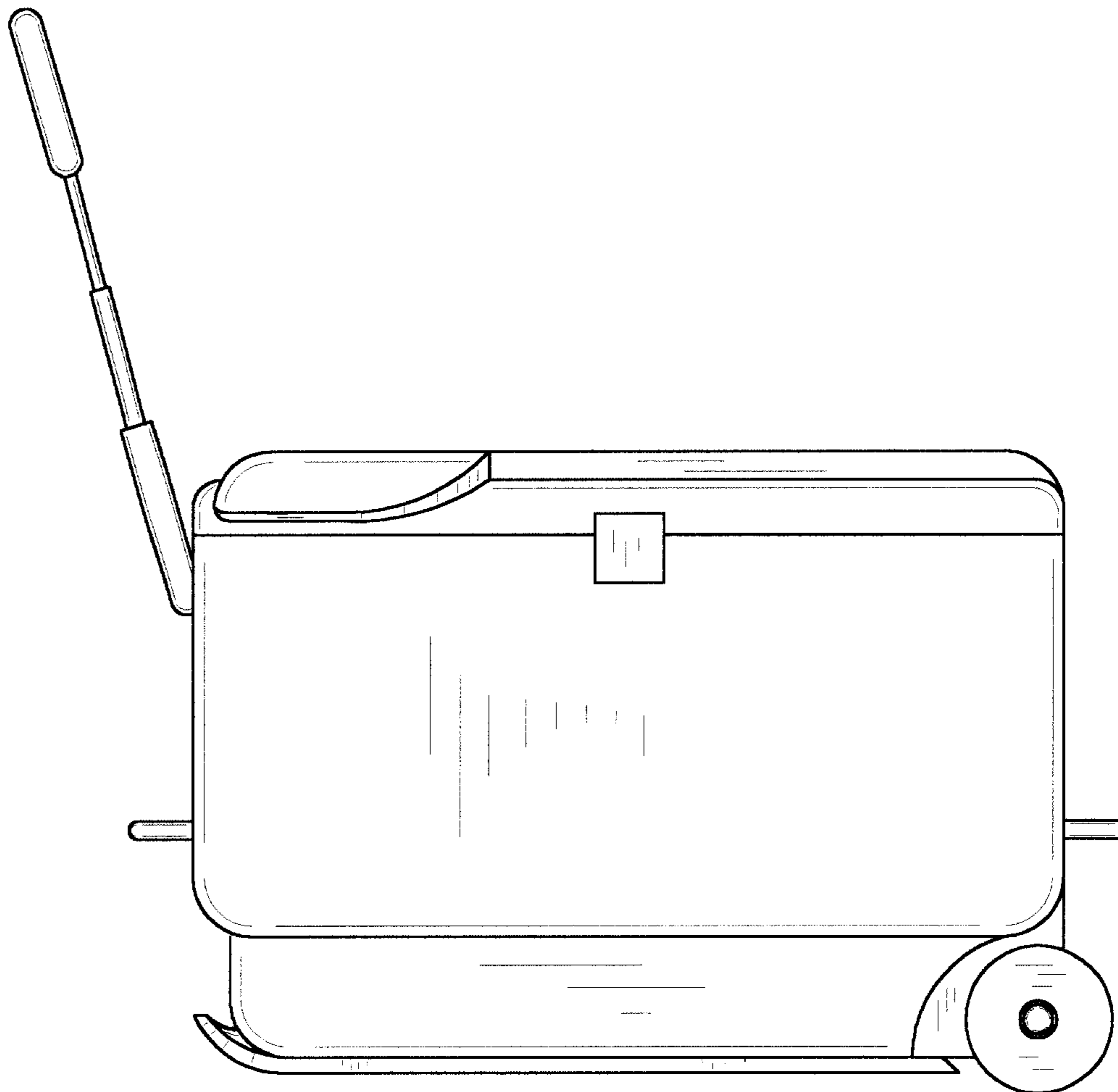
FIG. 3 is a side view, taken from the left side of FIG. 1;

FIG. 4 is a side view, taken from the right side of FIG. 1;

FIG. 5 is a top plan view thereof; and,

FIG. 6 is a bottom plan view thereof.

1 Claim, 5 Drawing Sheets



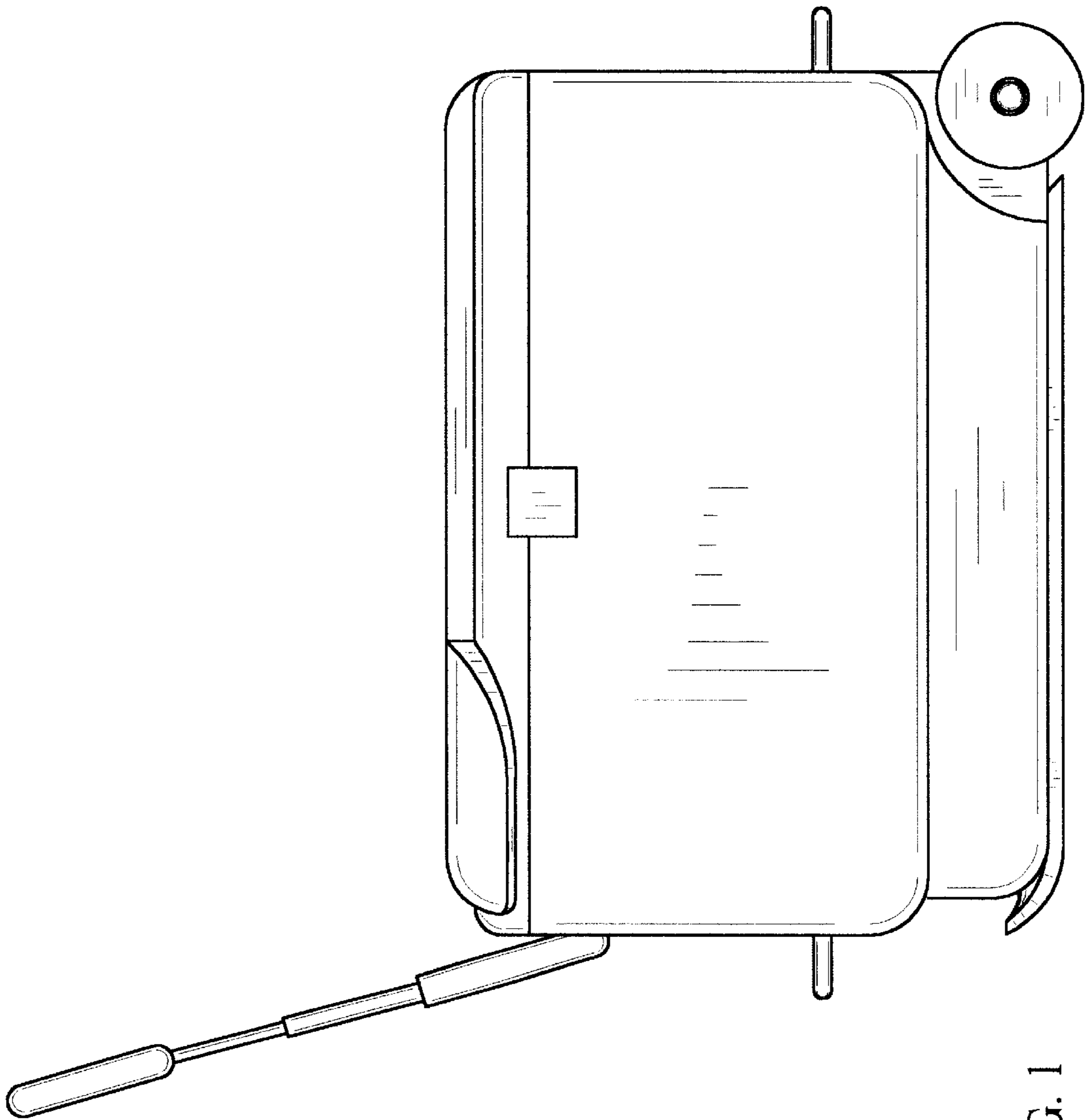


FIG. 1

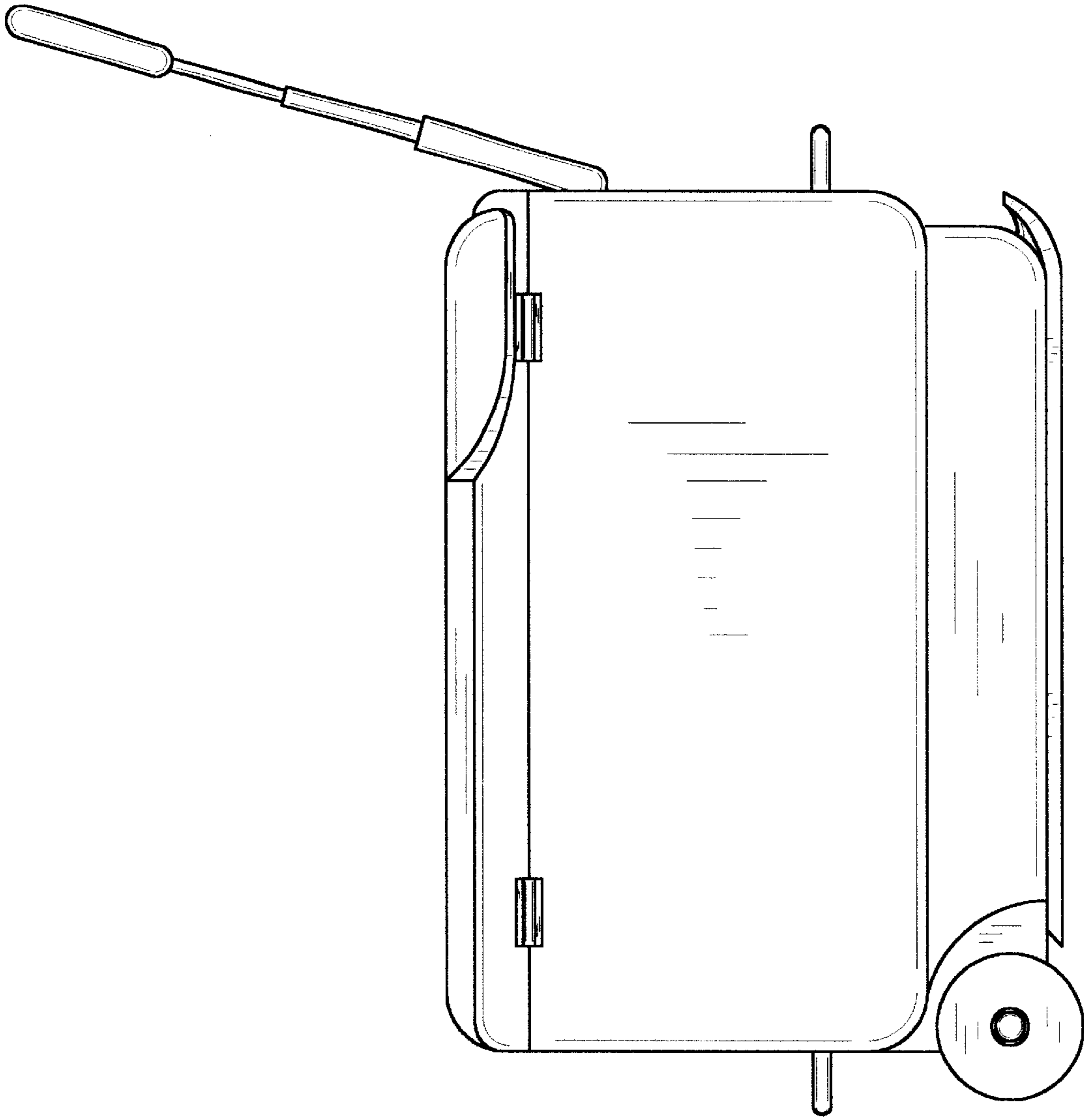


FIG. 2

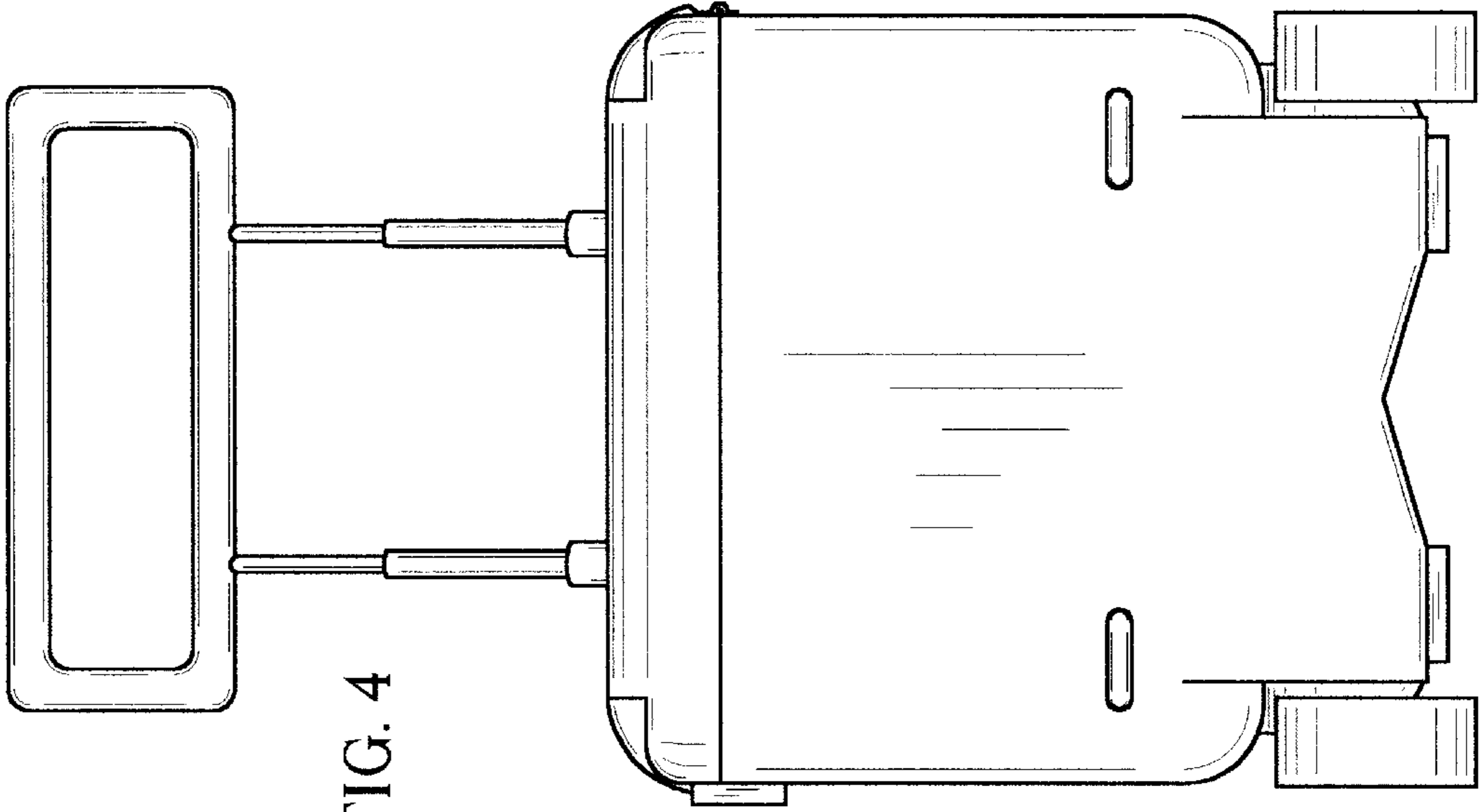


FIG. 4

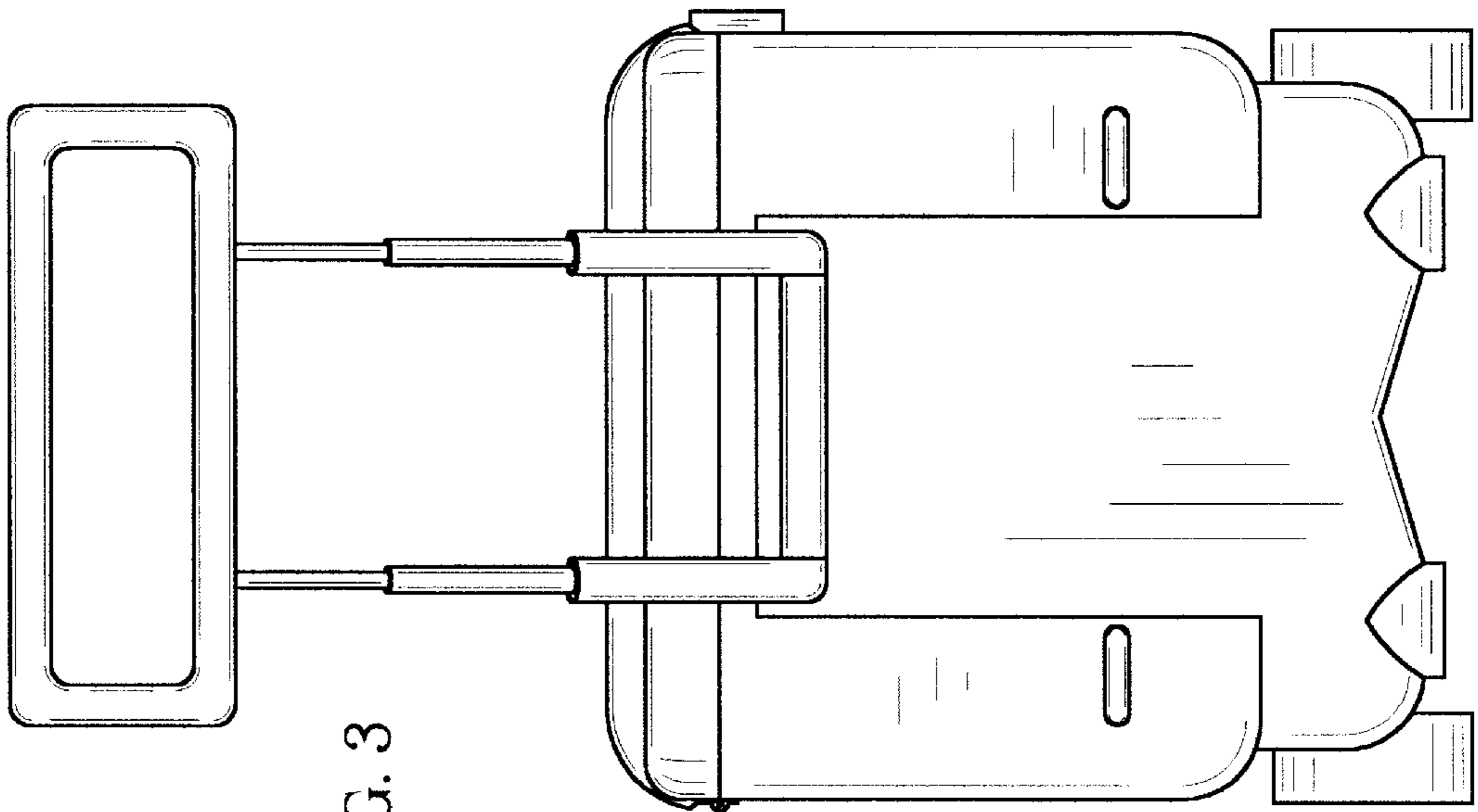


FIG. 3

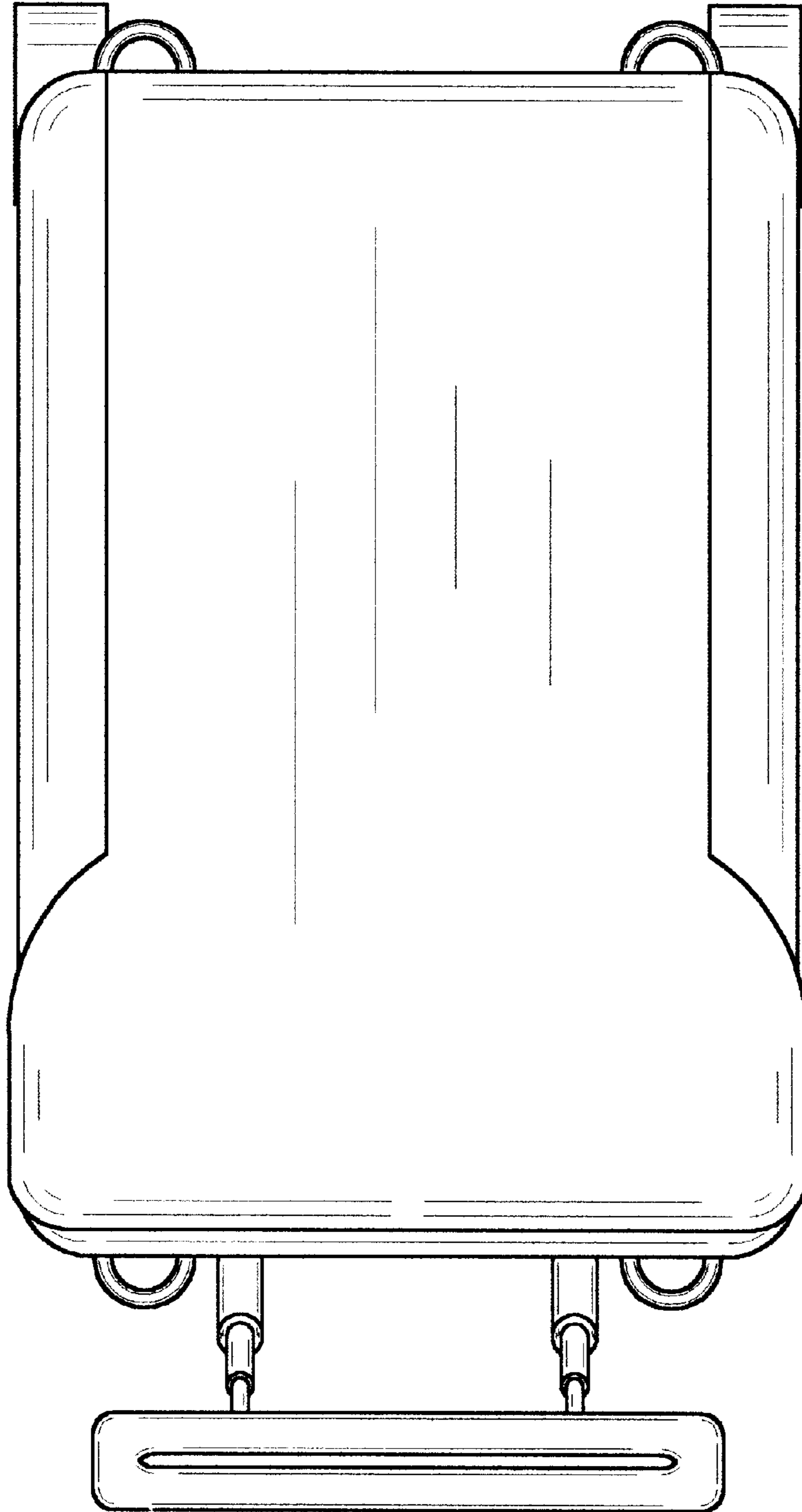


FIG. 5

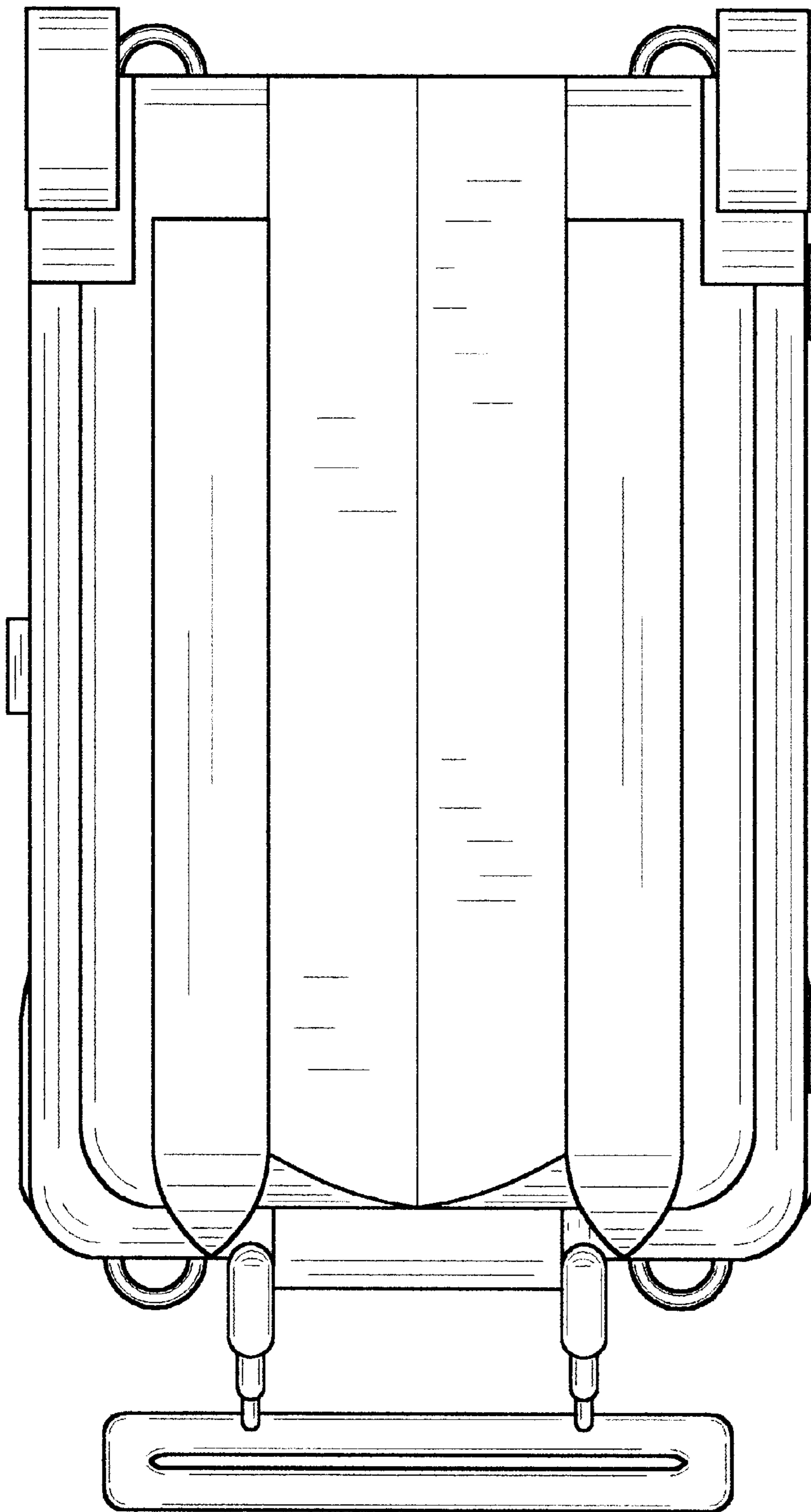


FIG. 6