



US00D480261S

(12) **United States Design Patent**  
**Pottenger et al.**

(10) **Patent No.:** **US D480,261 S**

(45) **Date of Patent:** **\*\* Oct. 7, 2003**

(54) **TWO BURNER COOKTOP**

D343,336 S \* 1/1994 Falk ..... D7/407  
D392,502 S \* 3/1998 Ashcraft et al. .... D7/346

(75) Inventors: **John Thurl Pottenger**, Rockton, IL  
(US); **David Lindsey Steele**, Beloit, WI  
(US)

\* cited by examiner

*Primary Examiner*—Catherine R. Oliver  
(74) *Attorney, Agent, or Firm*—Casimir R. Kiczek

(73) Assignee: **Atwood Mobile Products, Inc.**,  
Rochester Hills, MI (US)

(57) **CLAIM**

(\*\*) Term: **14 Years**

We claim the ornamental design for a two burner cooktop,  
as shown and described.

(21) Appl. No.: **29/166,959**

**DESCRIPTION**

(22) Filed: **Sep. 6, 2002**

FIG. 1 is a top perspective view of a two burner cooktop  
showing our new design. The sides of the base are shown in  
broken lines for illustrative purposes only and form no part  
of the claimed design;

(51) **LOC (7) Cl.** ..... **07-02**

(52) **U.S. Cl.** ..... **D7/346**

(58) **Field of Search** ..... D7/346, 340, 363–367,  
D7/407–408; 126/39 H, 39 J, 214 C, 214 R,  
443, 462, 446; 99/446

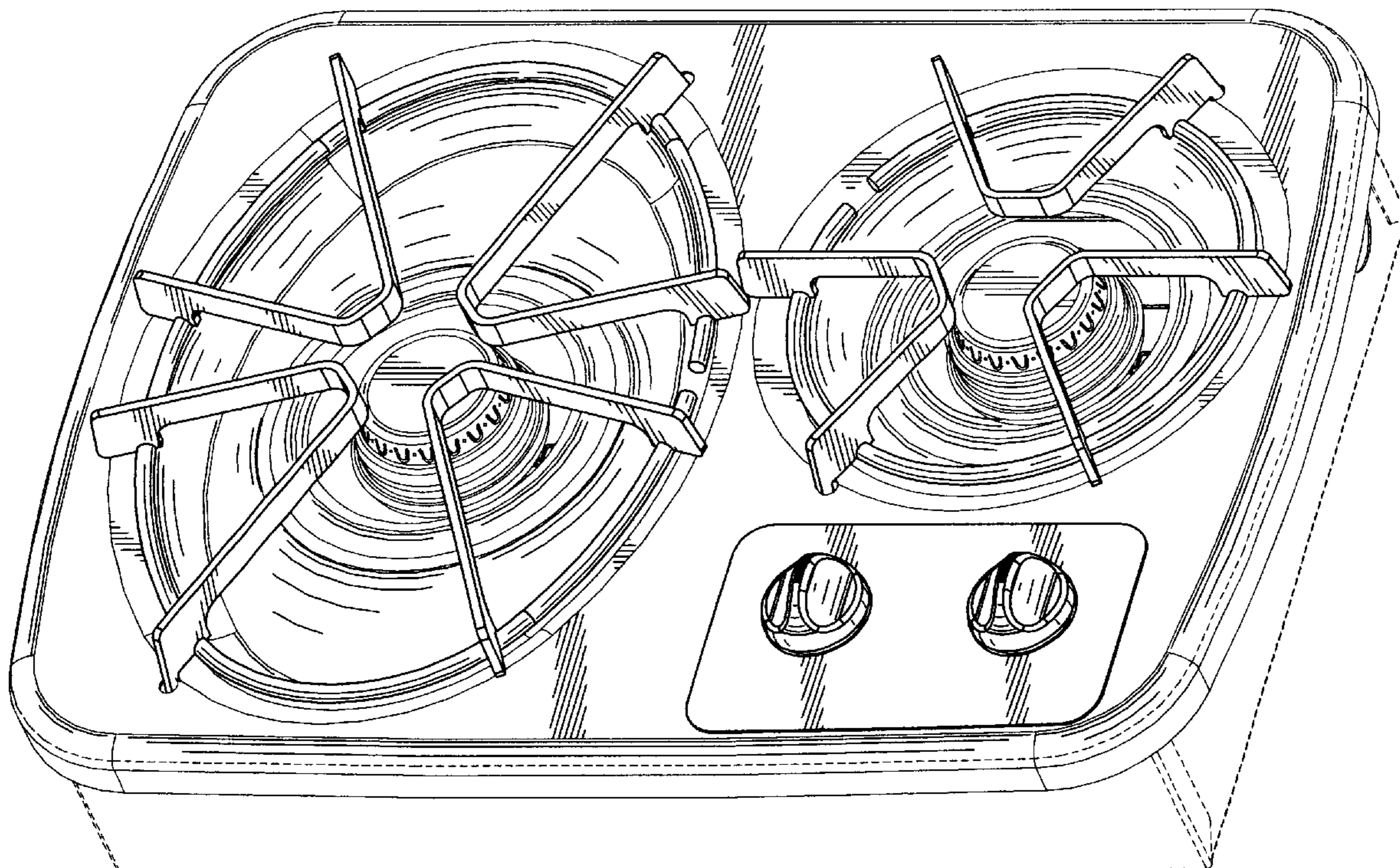
FIG. 2 is a top view thereof;  
FIG. 3 is a front view thereof;  
FIG. 4 is a back view thereof;  
FIG. 5 is a side view thereof;  
FIG. 6 is a side view thereof showing the side opposite that  
shown in FIG. 5;  
FIG. 7 is a cross-sectional view along 7–7 in FIG. 2; and,  
FIG. 8 is a cross-sectional view along 8–8 of FIG. 2.

(56) **References Cited**

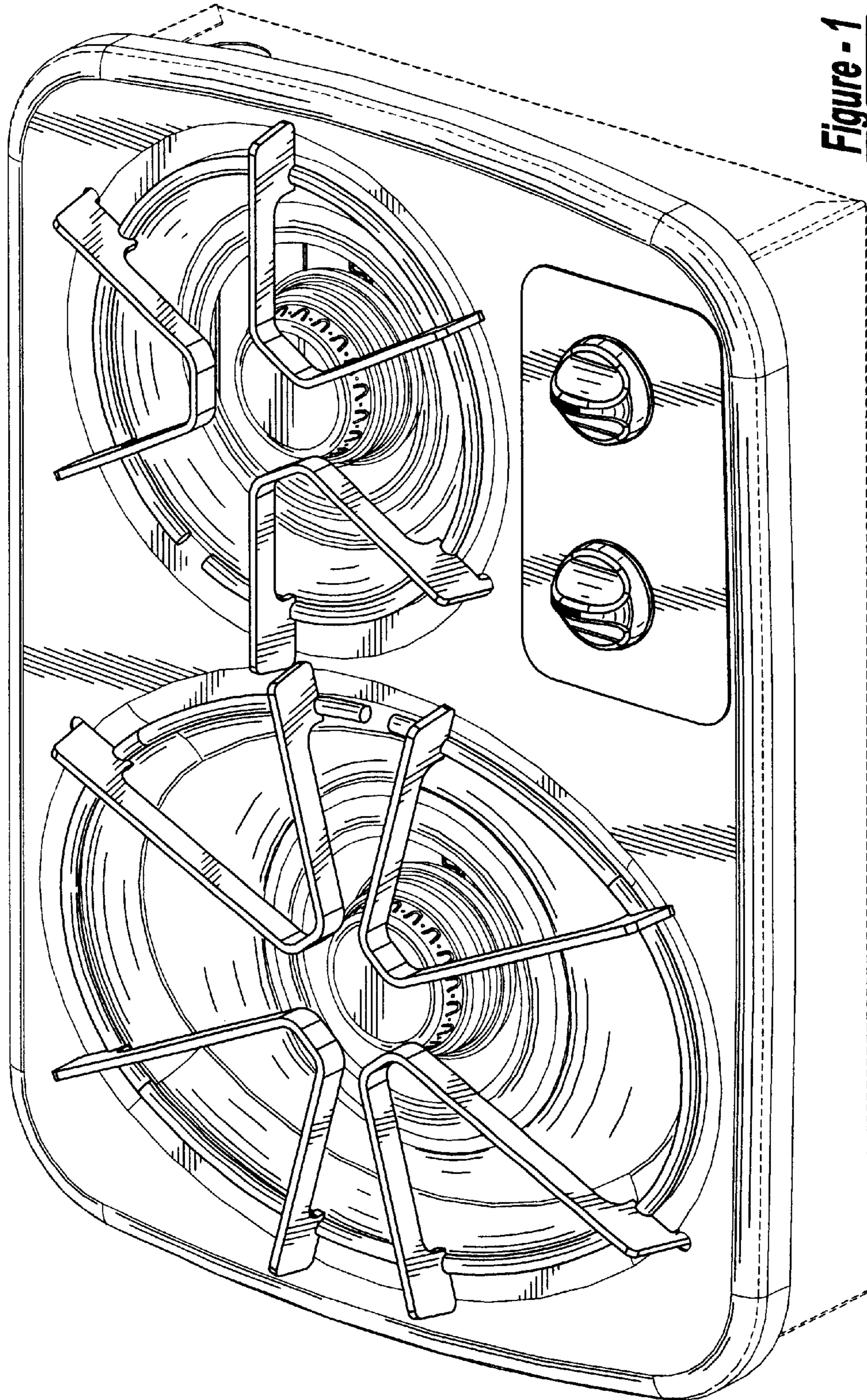
**U.S. PATENT DOCUMENTS**

D190,066 S \* 4/1961 Kamin ..... D7/346  
D334,866 S \* 4/1993 Warren ..... D7/407  
D342,641 S \* 12/1993 Falk ..... D7/407

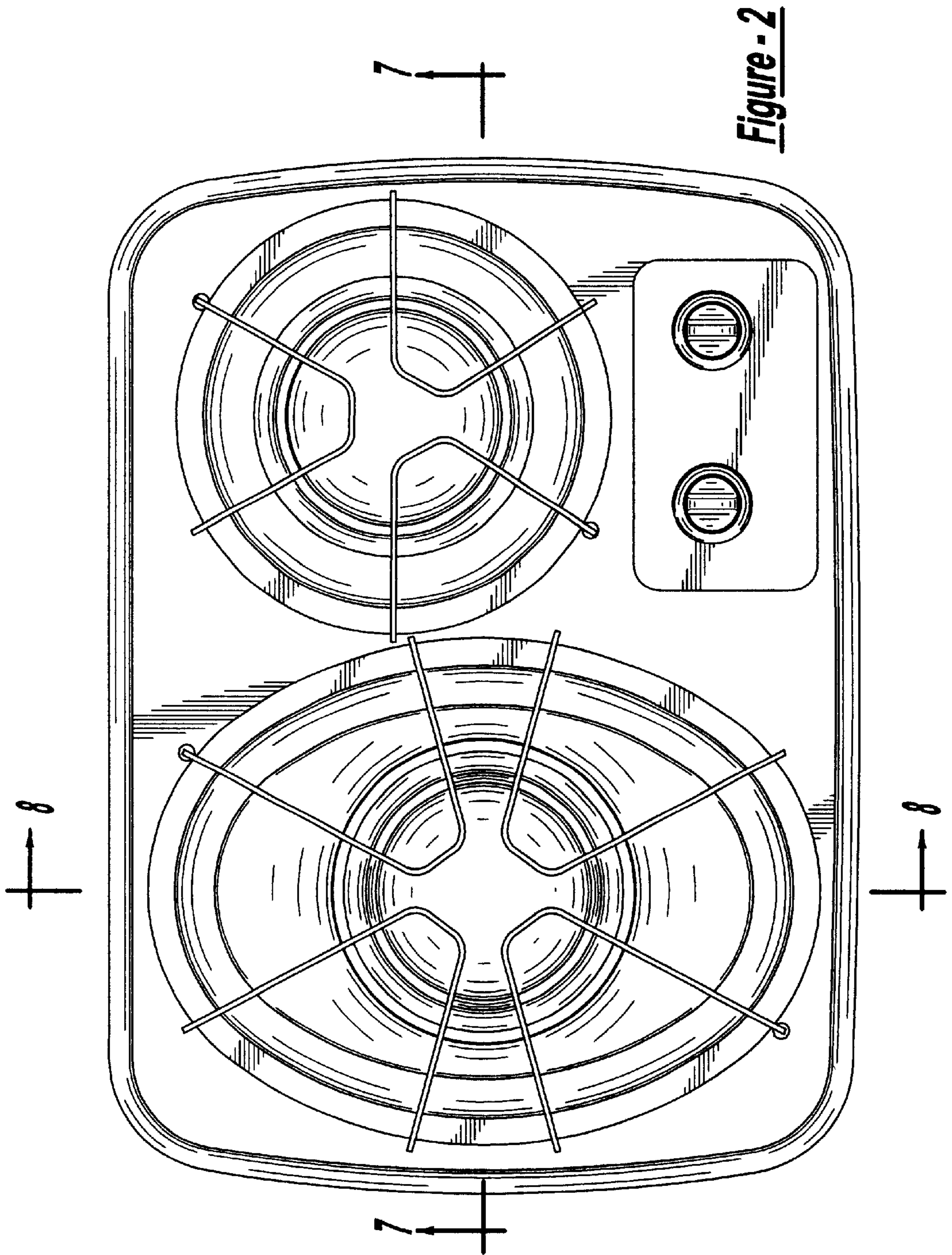
**1 Claim, 5 Drawing Sheets**



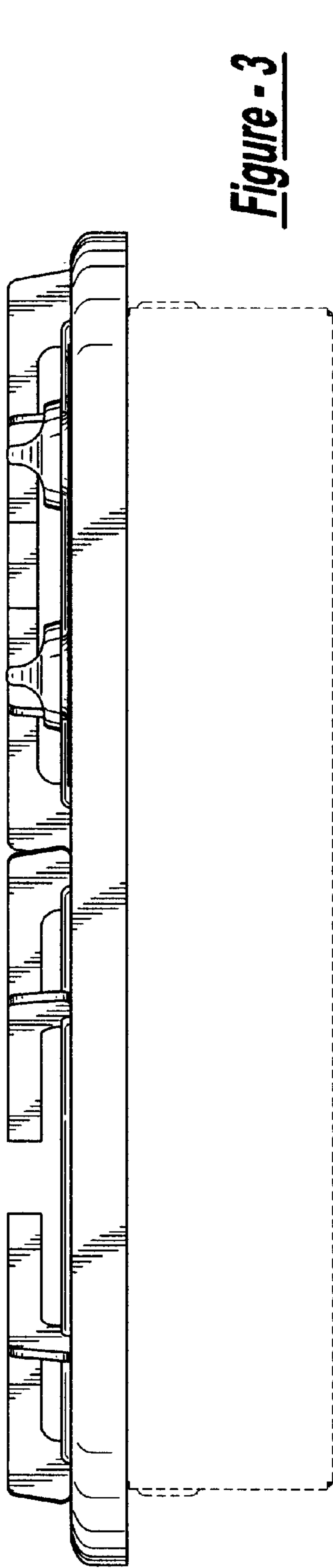




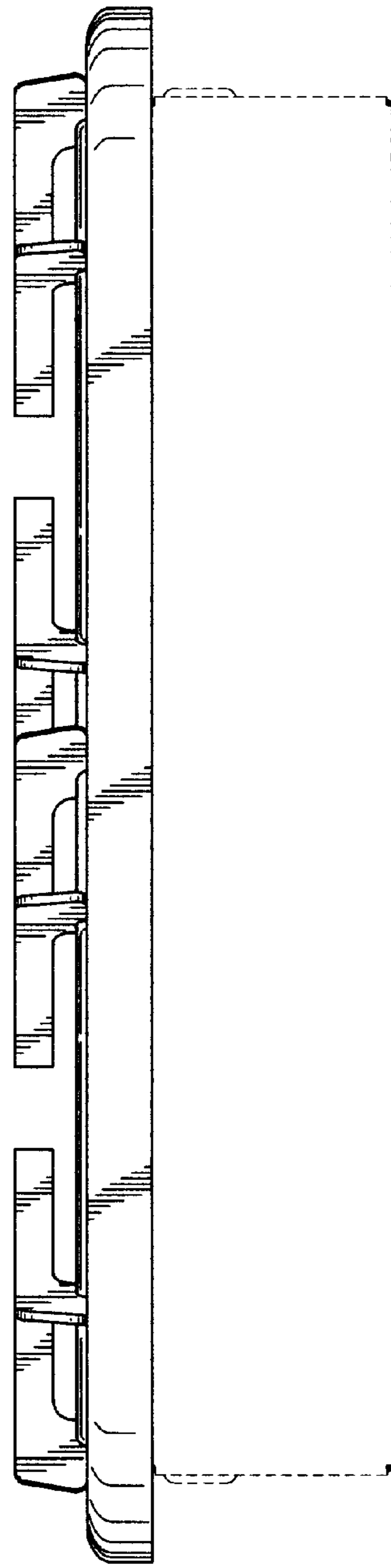
**Figure - 1**



**Figure - 2**



**Figure - 3**



**Figure - 4**



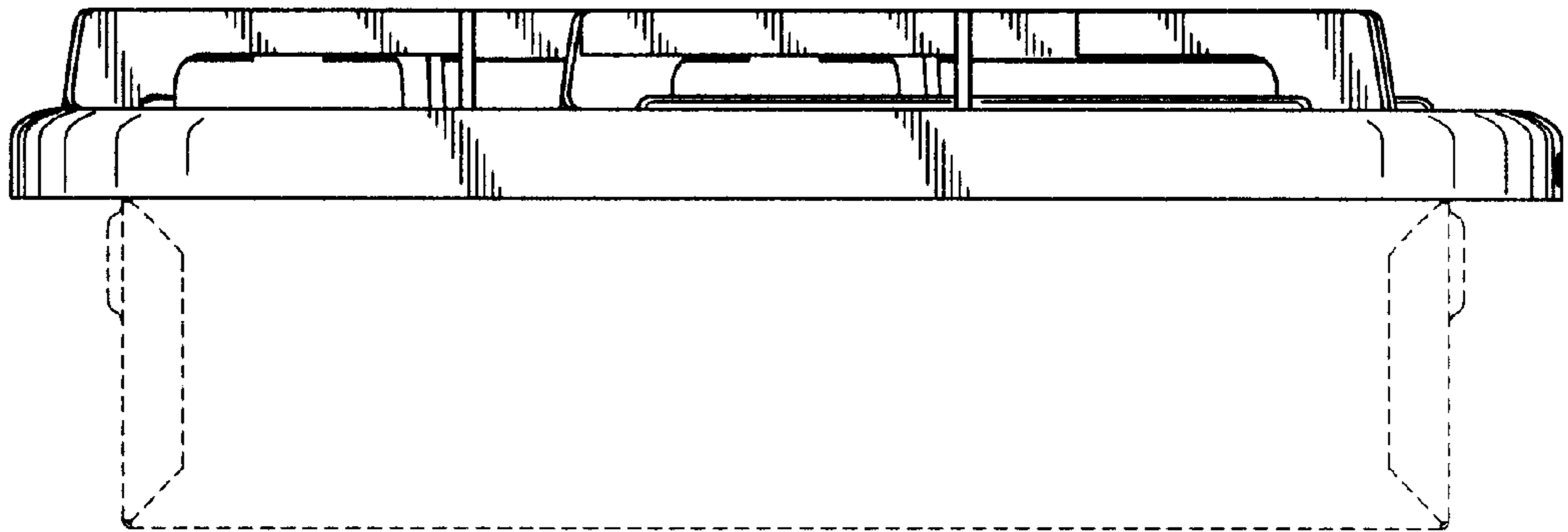


Figure - 5



Figure - 6

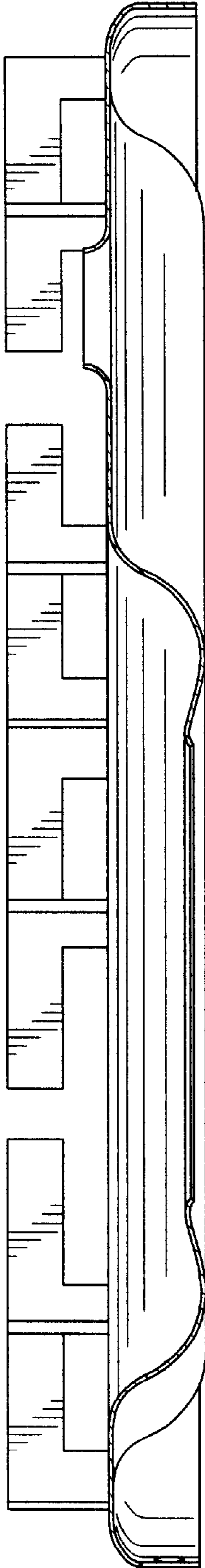


Figure - 7

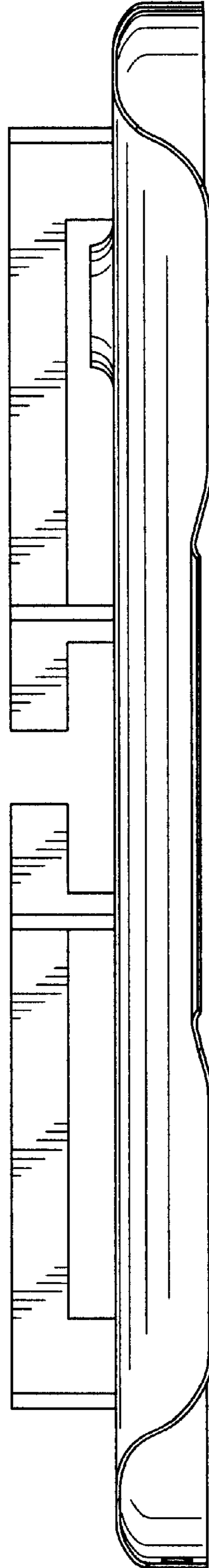


Figure - 8