



US00D480259S

(12) **United States Design Patent**
Pai

(10) **Patent No.: US D480,259 S**

(45) **Date of Patent: ** Oct. 7, 2003**

(54) **ROASTER**

(76) **Inventor: Jui-Yen Pai**, No. 617, Sec. 4 Chung Hua Rd., Hsin Chu City (TW)

(**) **Term: 14 Years**

(21) **Appl. No.: 29/169,571**

(22) **Filed: Oct. 22, 2002**

(51) **LOC (7) Cl. 07-02**

(52) **U.S. Cl. D7/334**

(58) **Field of Search** D7/332-337, 402-404; 126/25 R, 25 A, 25 AA, 9 R, 9 A, 9 B, 38, 40, 41 R, 26, 29-30; 99/419, 421 R, 421 H, 421 HV

(56) **References Cited**

U.S. PATENT DOCUMENTS

- 4,718,399 A * 1/1988 Shepherd 126/25 R
- 5,033,449 A * 7/1991 Hanagan 126/39 BA
- 5,623,866 A * 4/1997 Home 99/444

- D430,772 S * 9/2000 Ganard D7/334
- D465,123 S * 11/2002 Coleman et al. D7/334
- D466,367 S * 12/2002 Johnson et al. D7/402

* cited by examiner

Primary Examiner—Ruth McInroy

(74) *Attorney, Agent, or Firm*—William E. Pelton, Esq.

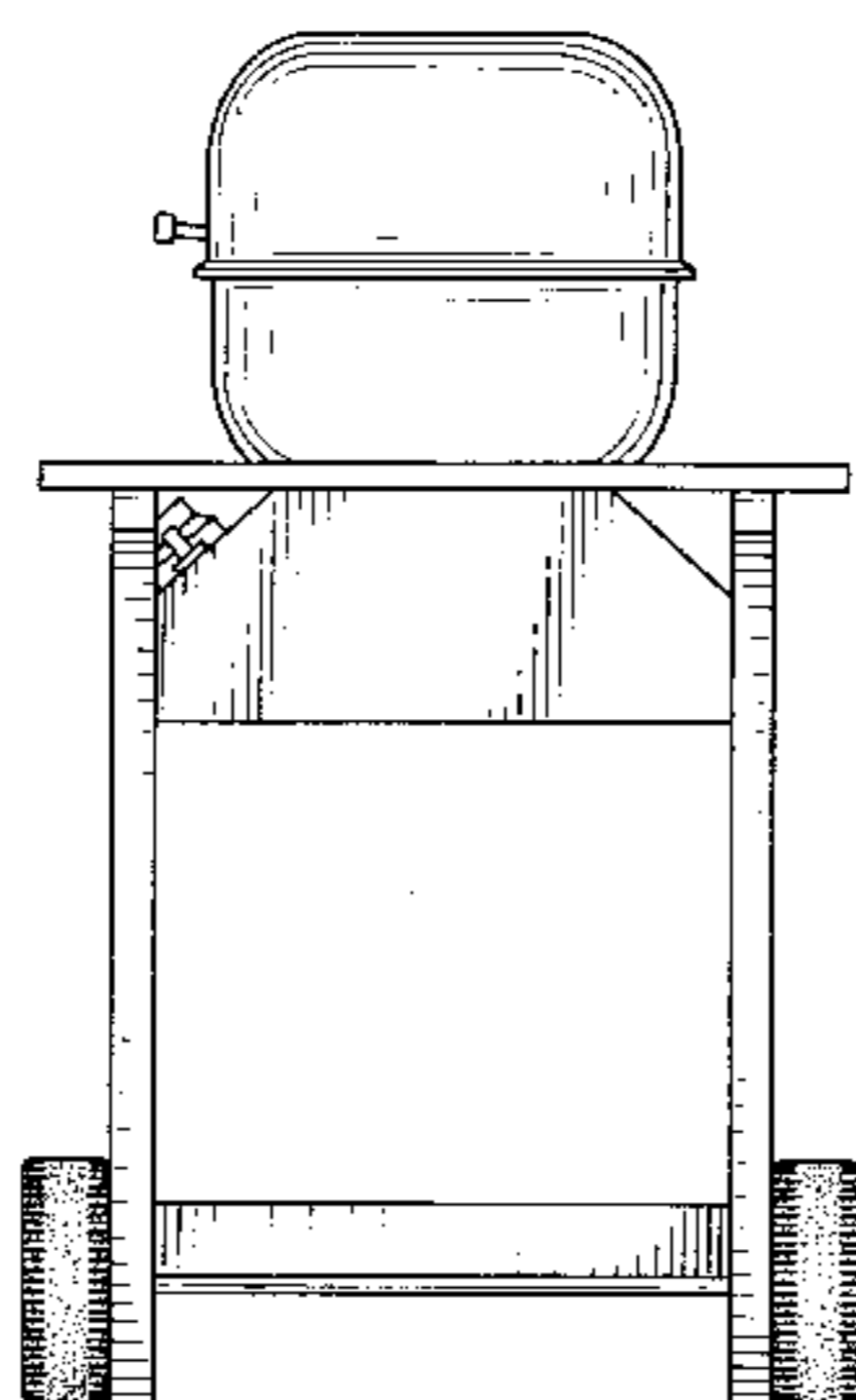
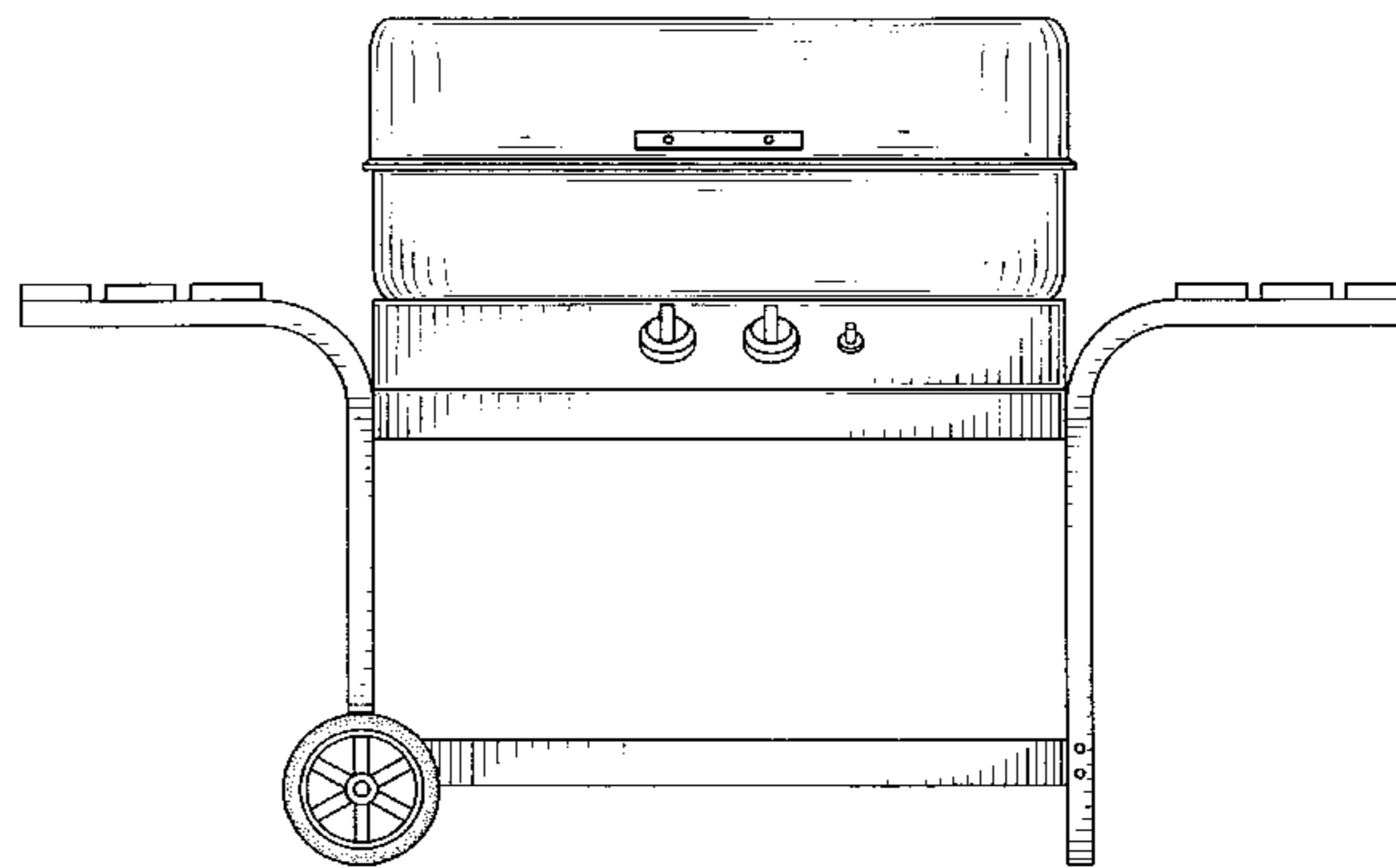
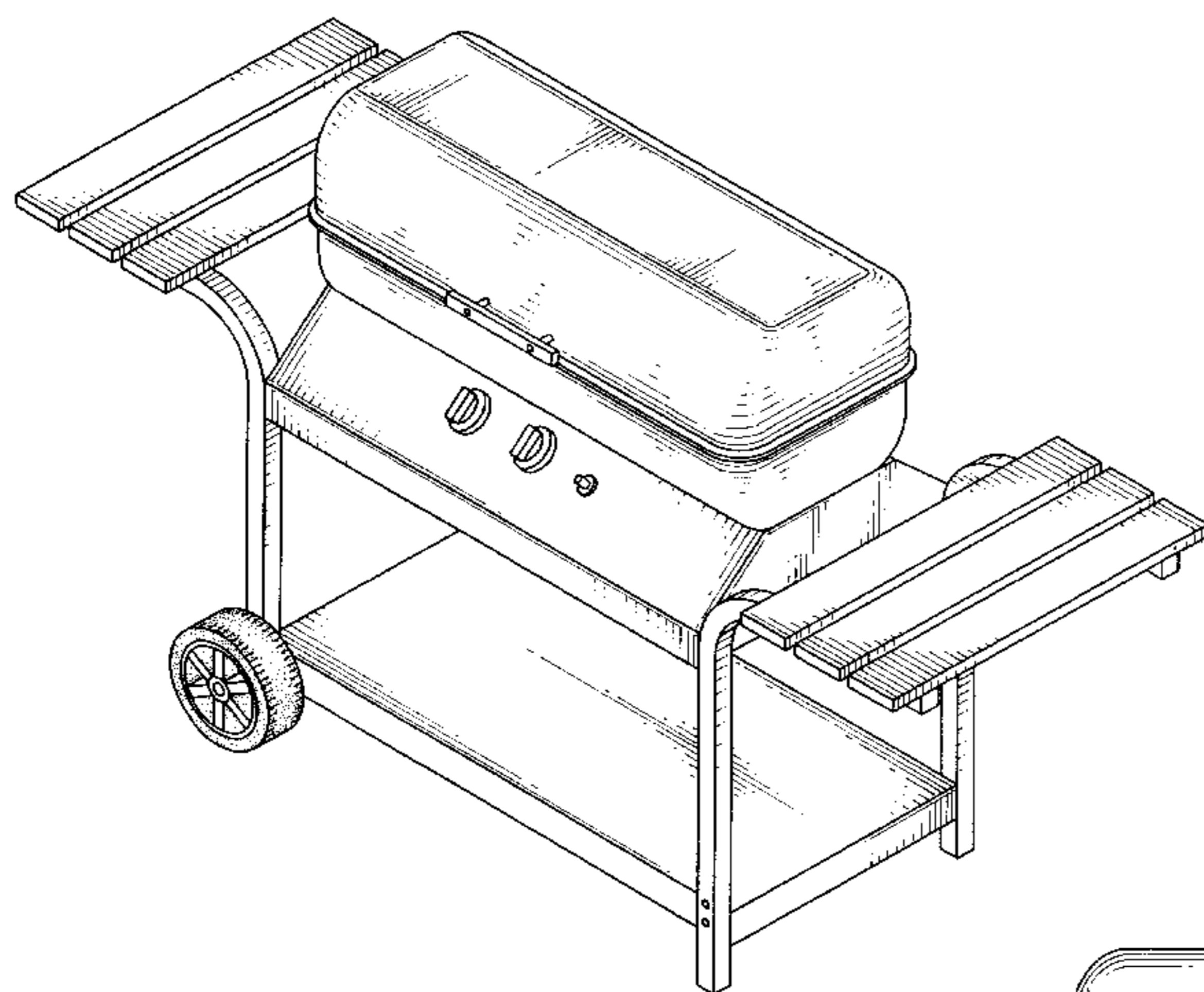
(57) **CLAIM**

The ornamental design for a roaster, as shown.

DESCRIPTION

FIG. 1 is a perspective view of the roaster showing my new design;
 FIG. 2 is a front elevational view thereof;
 FIG. 3 is a rear elevational view thereof;
 FIG. 4 is a left side view thereof;
 FIG. 5 is a right side view thereof;
 FIG. 6 is a top plan view thereof; and,
 FIG. 7 is a bottom plan view thereof.

1 Claim, 6 Drawing Sheets



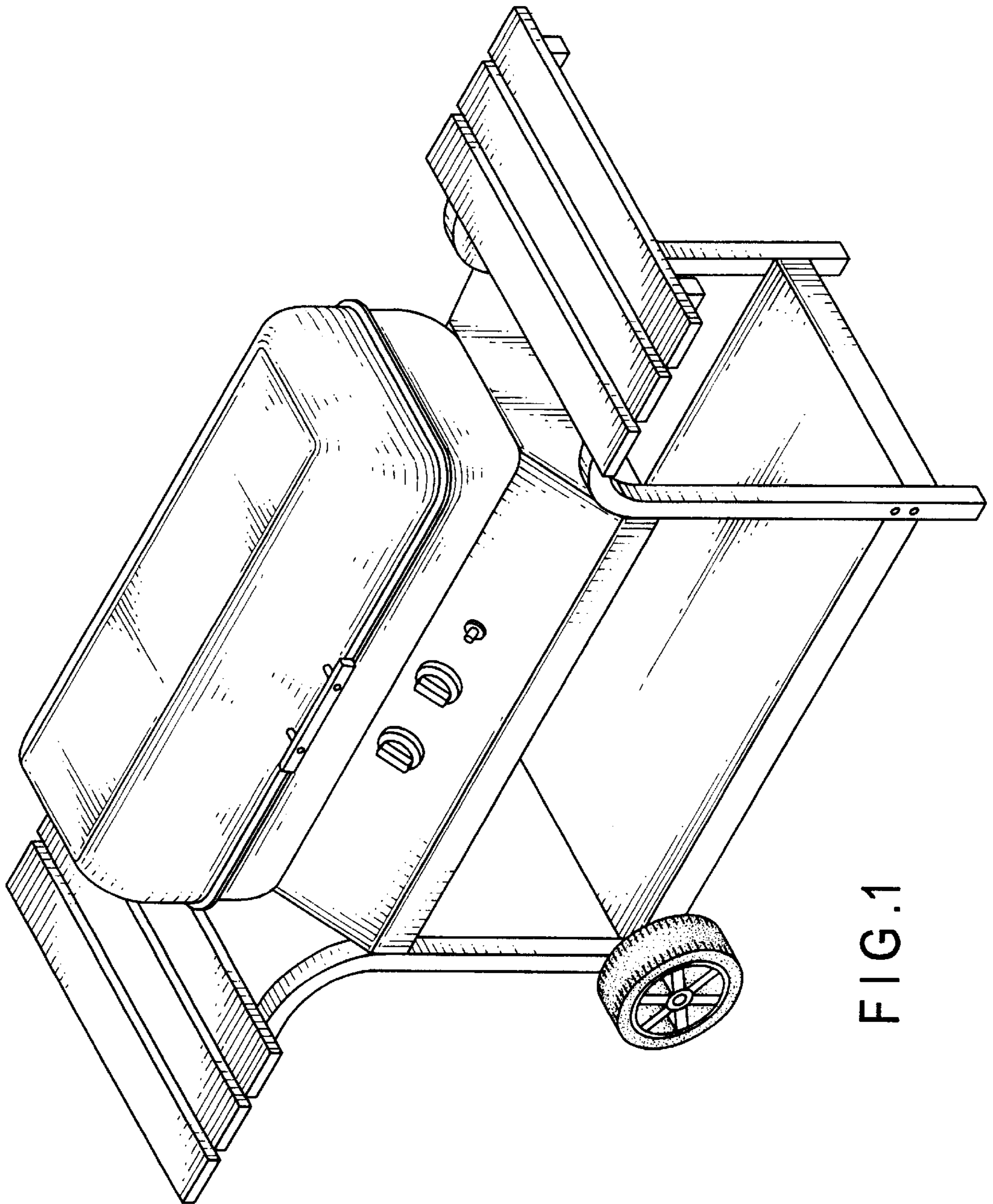


FIG.1

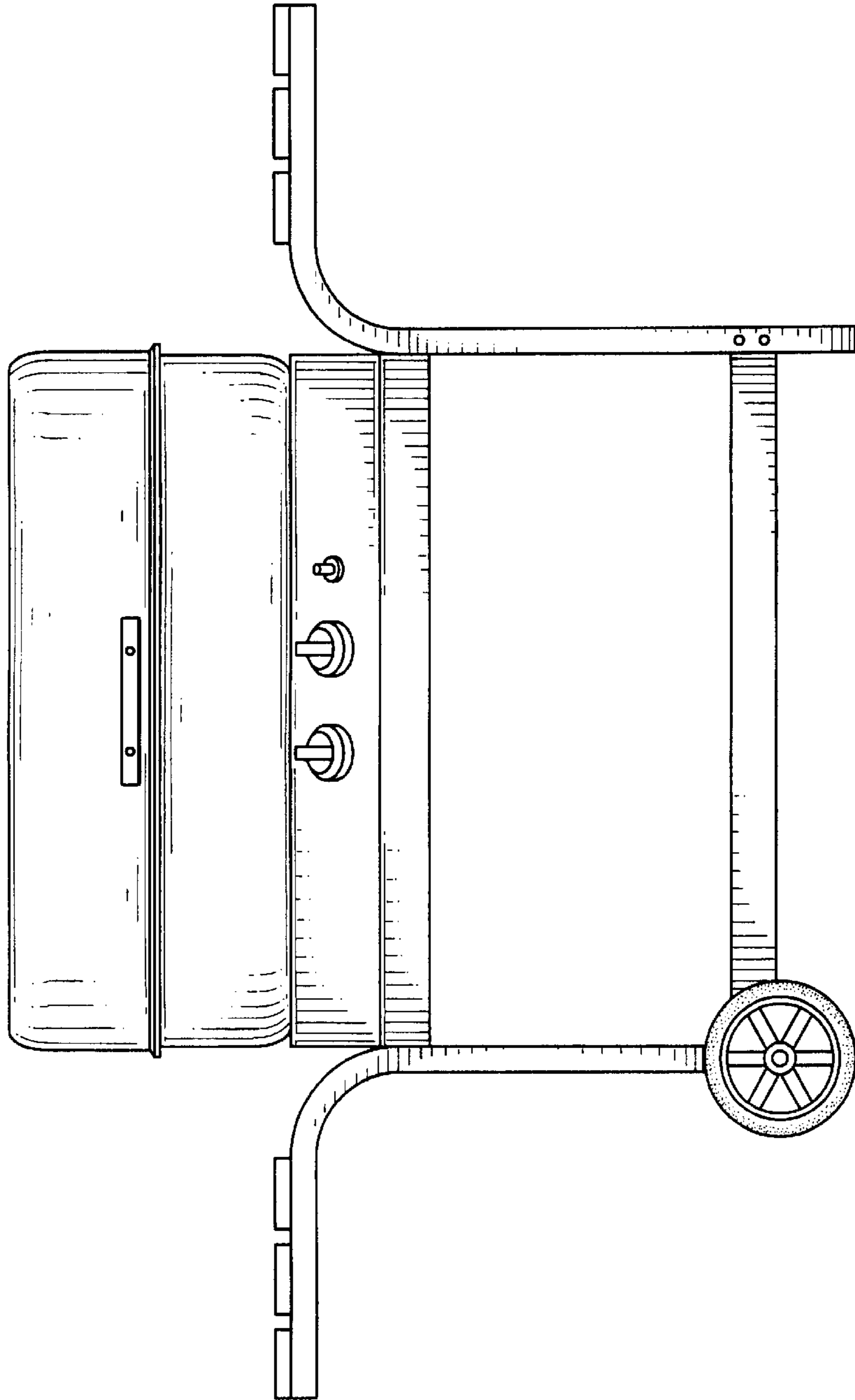


FIG. 2

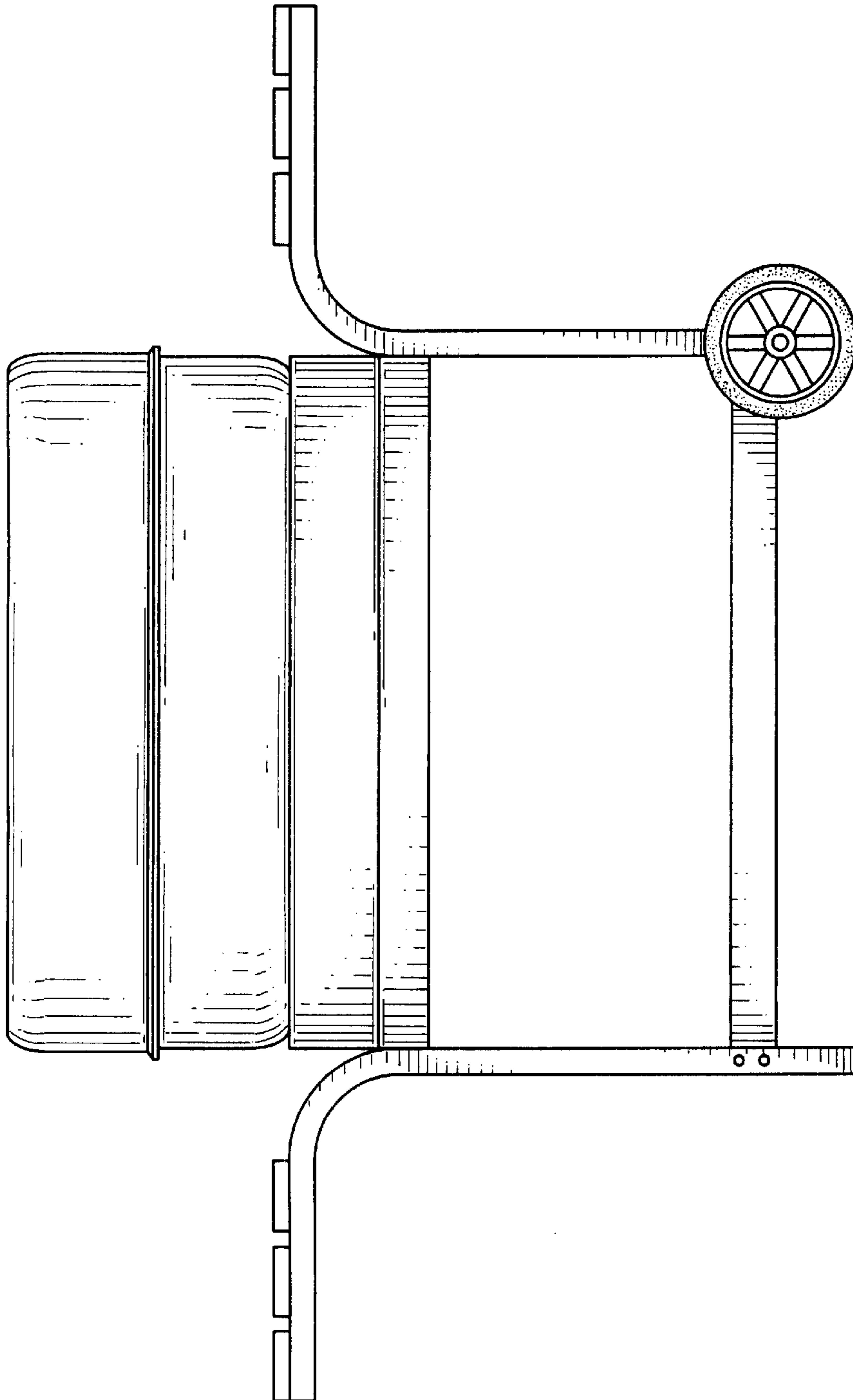


FIG. 3

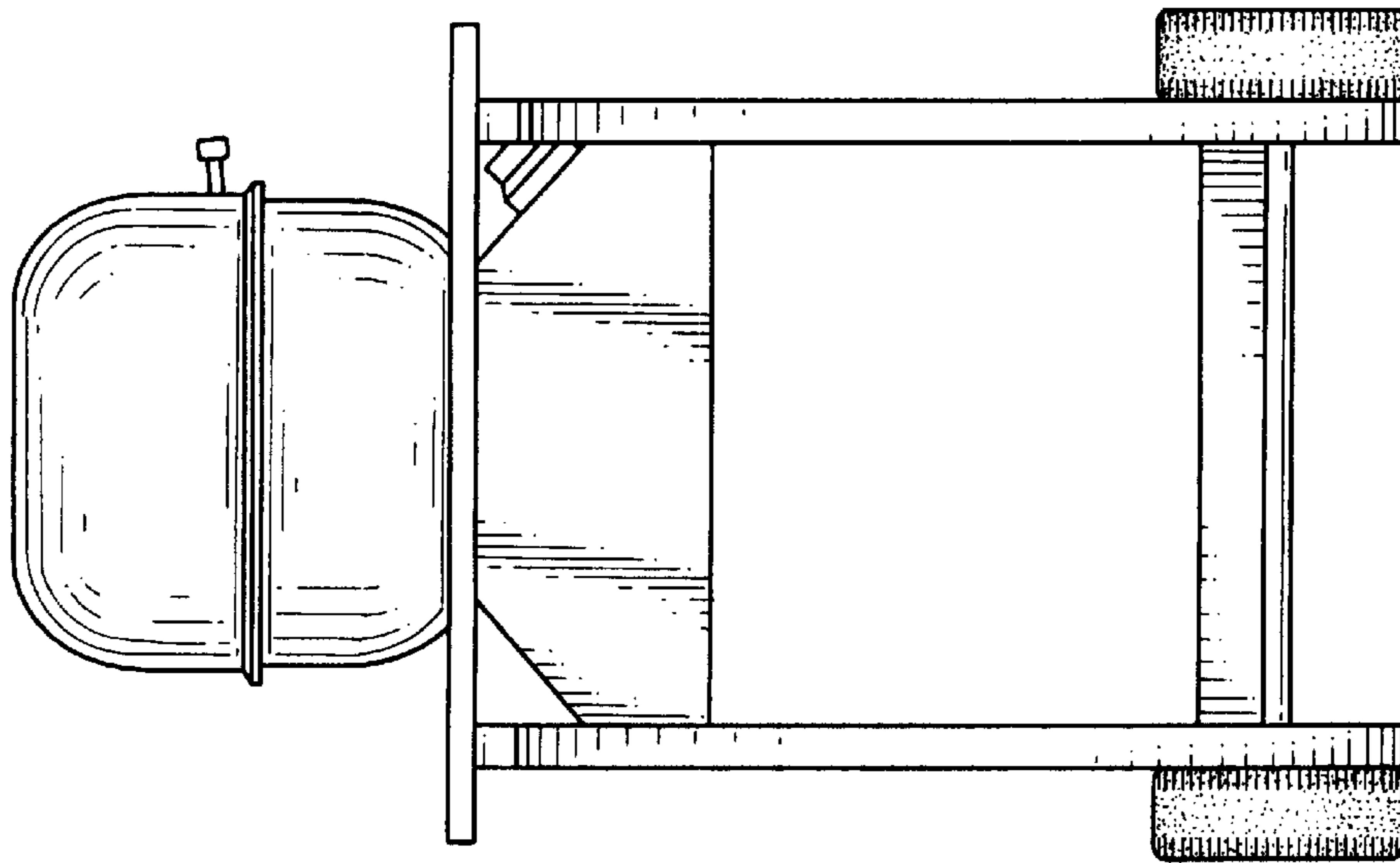


FIG. 4

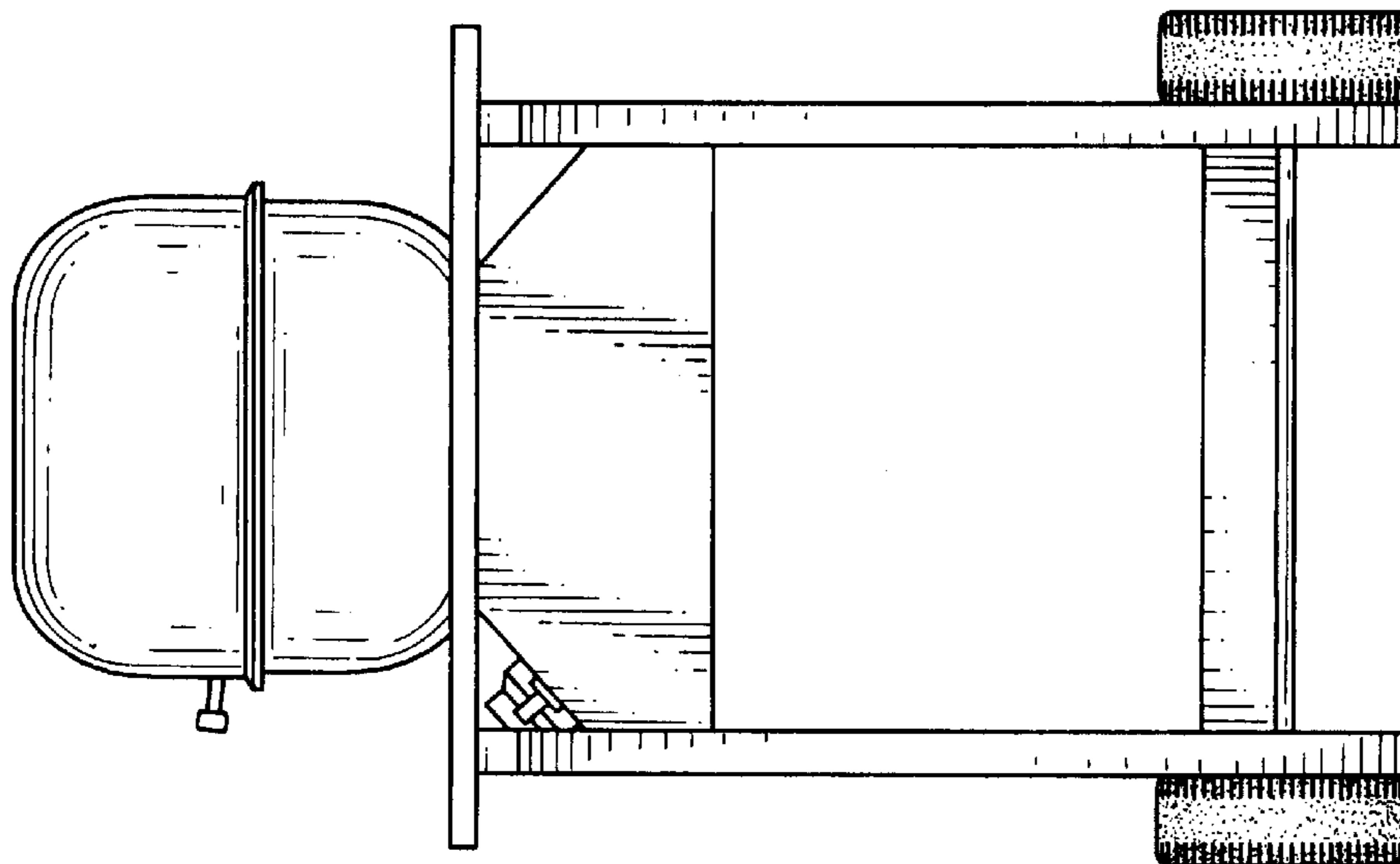


FIG. 5

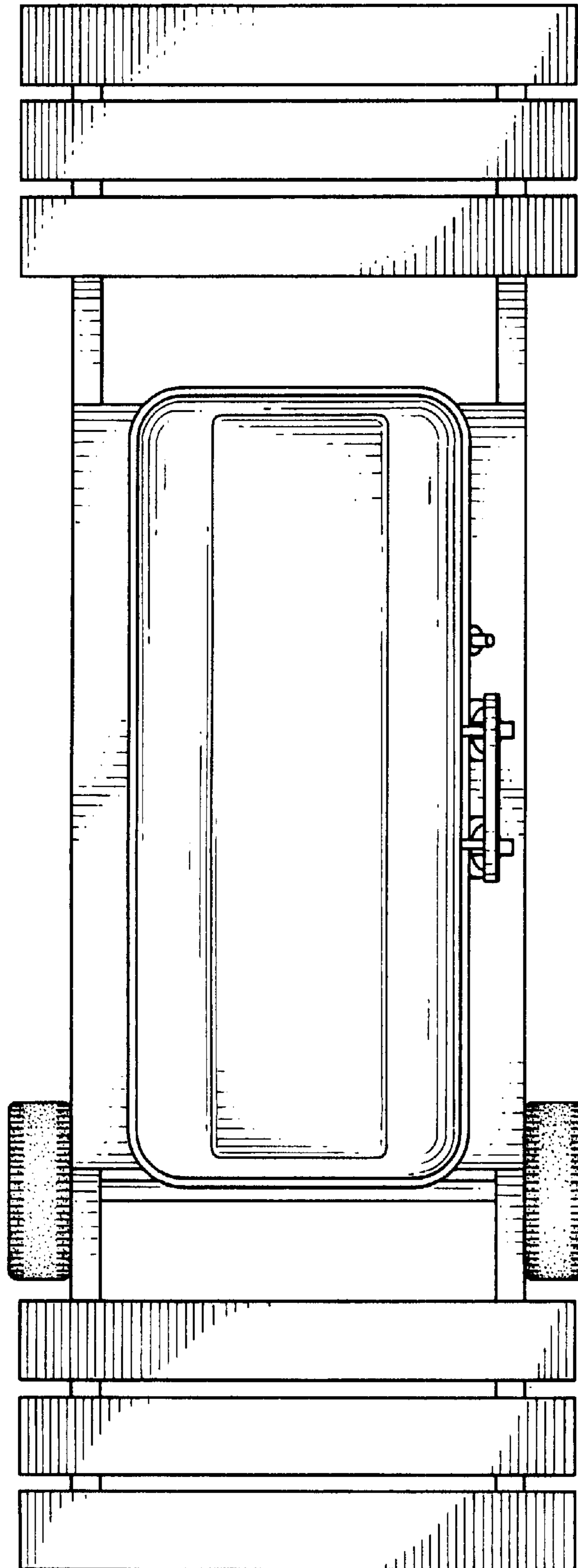


FIG. 6

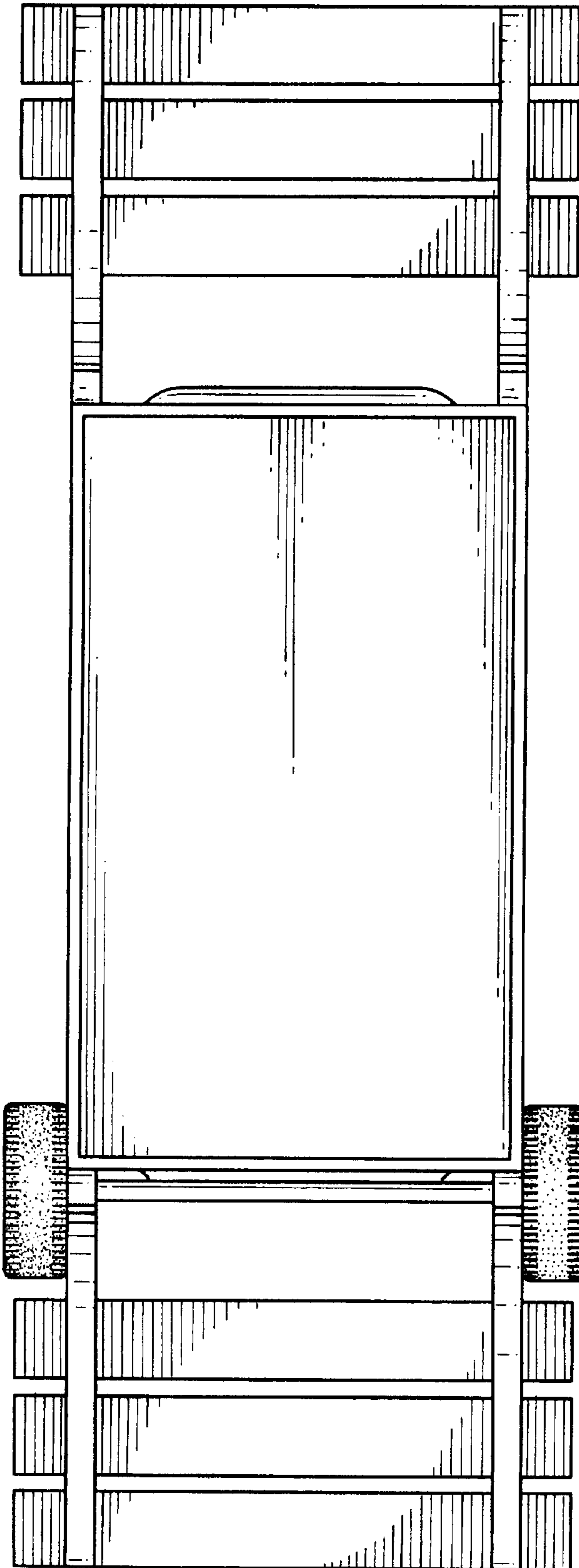


FIG. 7