



US00D480257S

(12) **United States Design Patent**
Thun

(10) **Patent No.:** **US D480,257 S**

(45) **Date of Patent:** **** Oct. 7, 2003**

(54) **POT**

(75) **Inventor:** **Mattheo Thun, Milan (IT)**

(73) **Assignee:** **Villeroy & Boch AG, Mettlach (DE)**

(**) **Term:** **14 Years**

(21) **Appl. No.:** **29/164,244**

(22) **Filed:** **Jul. 19, 2002**

(30) **Foreign Application Priority Data**

Feb. 11, 2002 (WO) DM/058 939

(51) **LOC (7) Cl.** **07-01**

(52) **U.S. Cl.** **D7/321; D7/312; D7/319**

(58) **Field of Search** **D7/312, 317, 318, D7/319, 321; 222/131, 465.1, 572, 144.3, 543; 99/304; 215/12.1; 219/437, 441**

(56) **References Cited**

U.S. PATENT DOCUMENTS

- D64,586 S * 5/1924 George D7/321
- D172,076 S * 5/1954 Barnhart D7/319
- D176,826 S * 1/1956 Sacia et al. D7/319
- D179,370 S * 12/1956 Barnhart D7/319
- D181,348 S * 11/1957 Dube D7/318
- D192,969 S * 6/1962 Vollmann D7/318
- D215,471 S * 9/1969 Gulotta D7/317
- D216,216 S * 12/1969 Kriegel D7/317
- D219,164 S * 11/1970 Gropius D7/317

- D223,171 S * 3/1972 Madl D7/317
- 3,678,246 A * 7/1972 Blachly et al. 219/437
- D229,919 S * 1/1974 Schmit D7/318
- 3,861,565 A * 1/1975 Rickmeier, Jr. 222/131
- D257,312 S * 10/1980 Conti D7/319
- D266,690 S * 10/1982 Levin D23/212
- D334,686 S * 4/1993 Wiley D7/321
- D345,669 S * 4/1994 Piret D7/319
- D359,875 S * 7/1995 Piva D7/319
- D362,782 S * 10/1995 Piva D7/319
- D416,163 S * 11/1999 Doritty et al. D7/319
- D418,714 S * 1/2000 Fox et al. D7/319
- D461,676 S * 8/2002 Daenen et al. D7/317

* cited by examiner

Primary Examiner—M. N. Pandozzi

(74) *Attorney, Agent, or Firm*—Friedrich Kueffner

(57) **CLAIM**

The ornamental design for a pot, as shown and described.

DESCRIPTION

FIG. 1 is a perspective front view of a pot showing my new design;

FIG. 2 is a bottom view thereof;

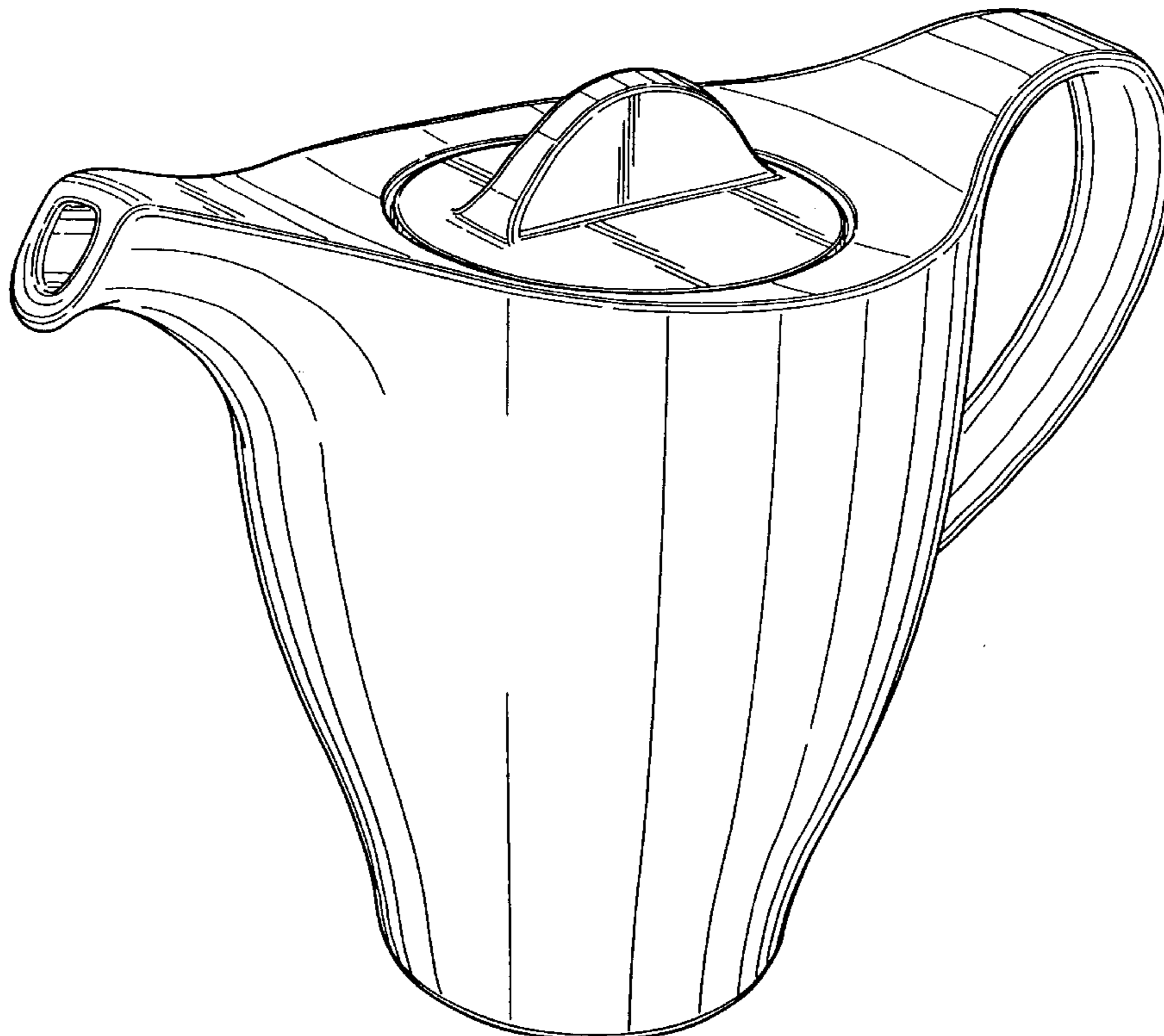
FIG. 3 is a top view thereof;

FIG. 4 is a side view thereof;

FIG. 5 is a back view thereof; and,

FIG. 6 is a front view thereof.

1 Claim, 3 Drawing Sheets



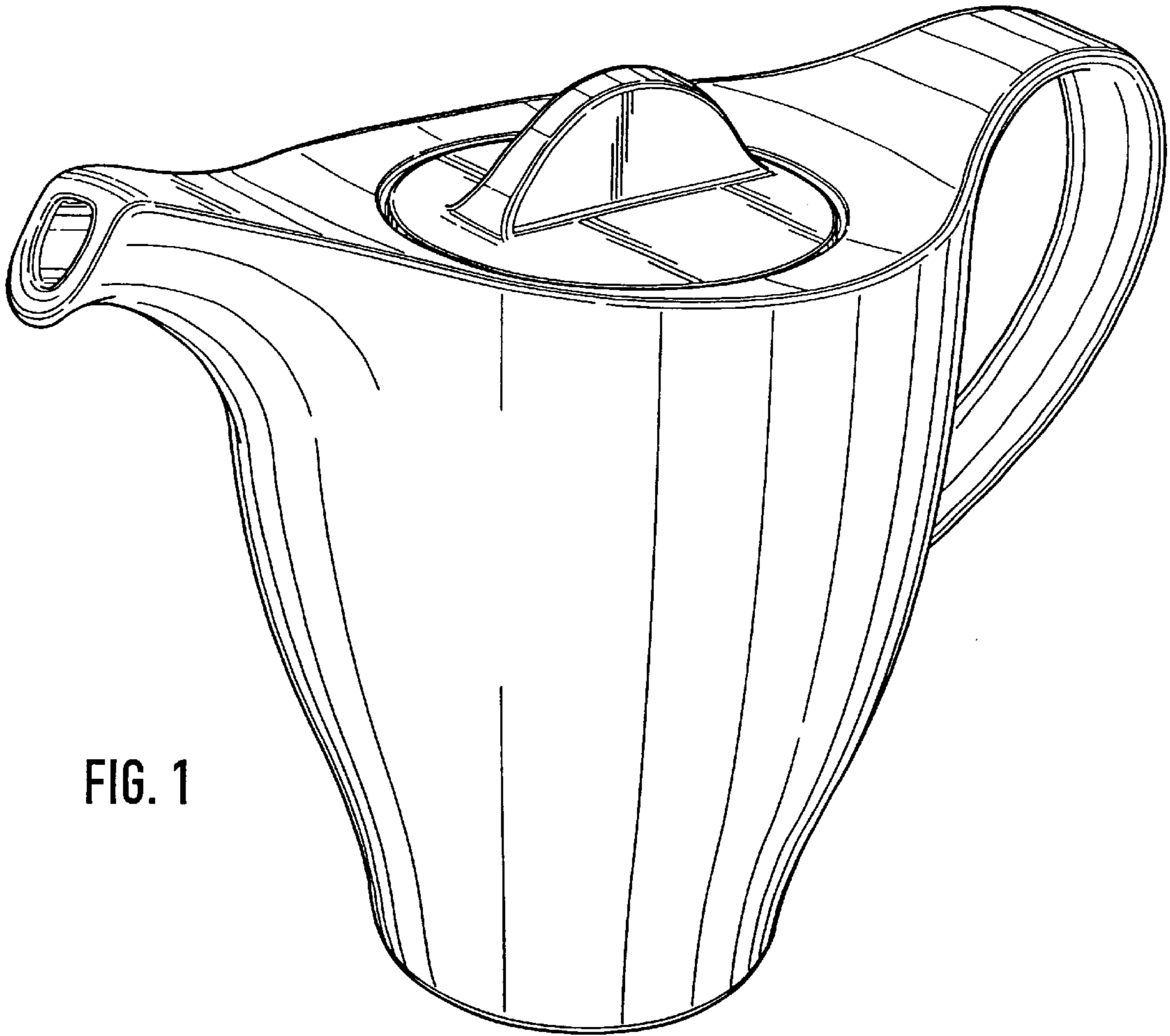


FIG. 1

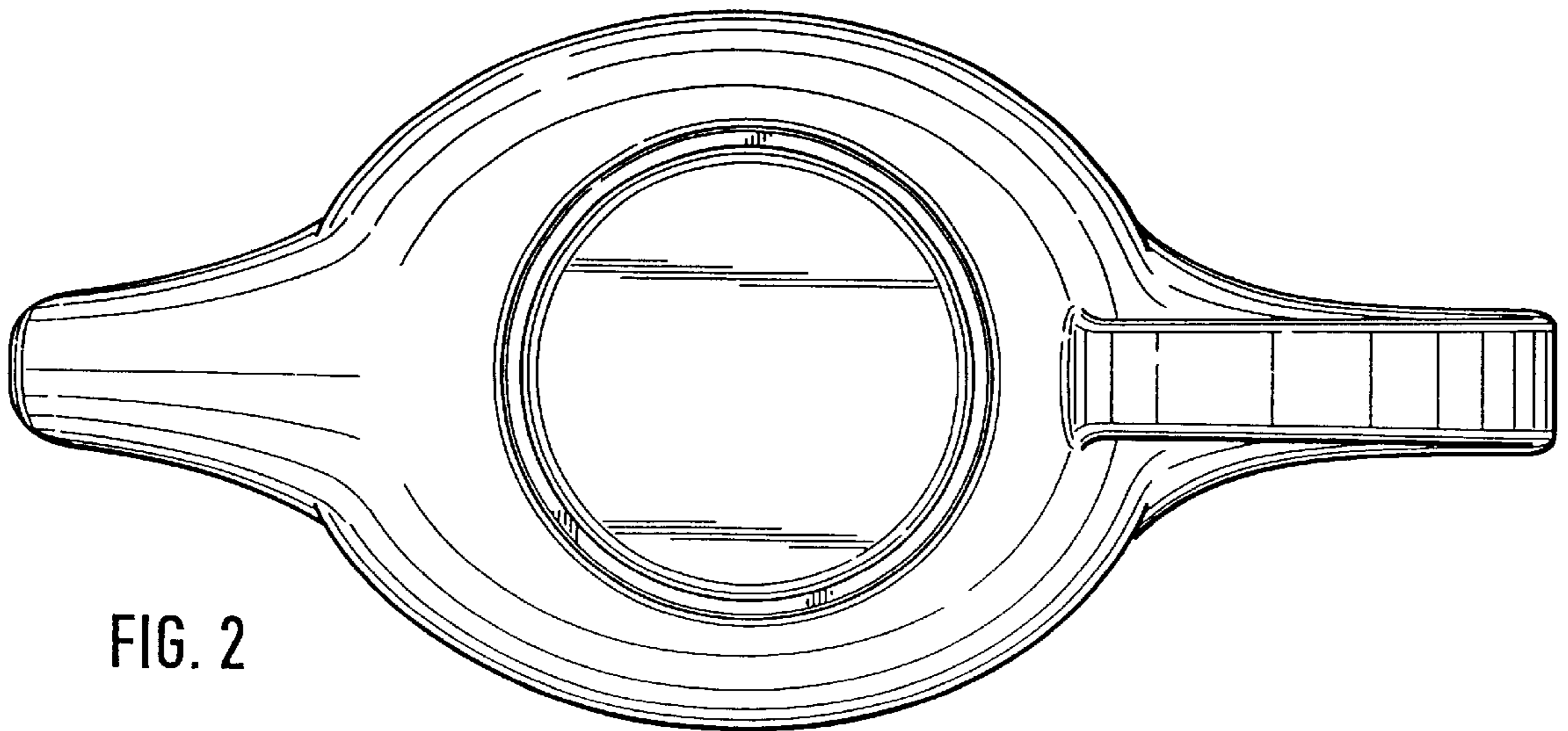


FIG. 2

FIG. 3

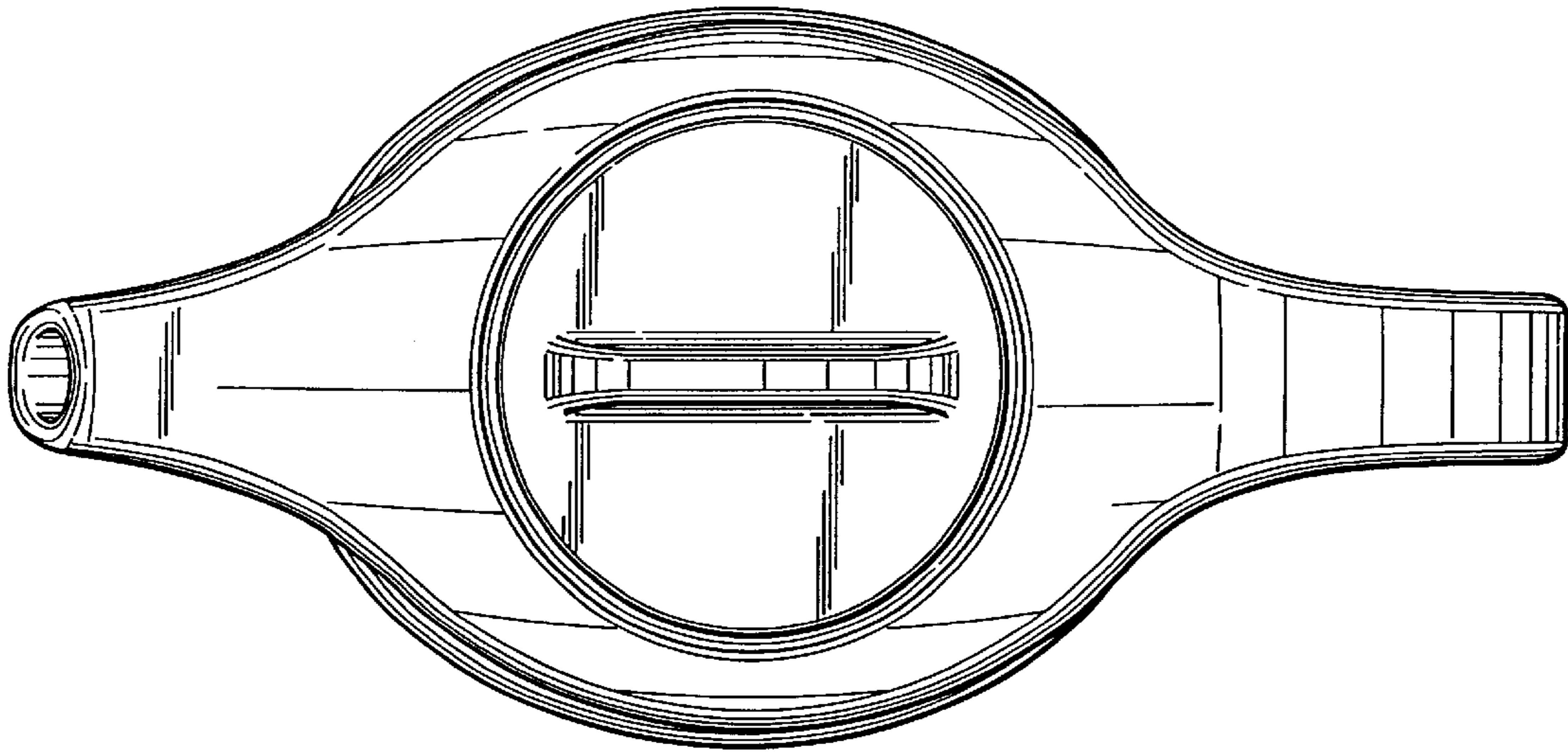


FIG. 4

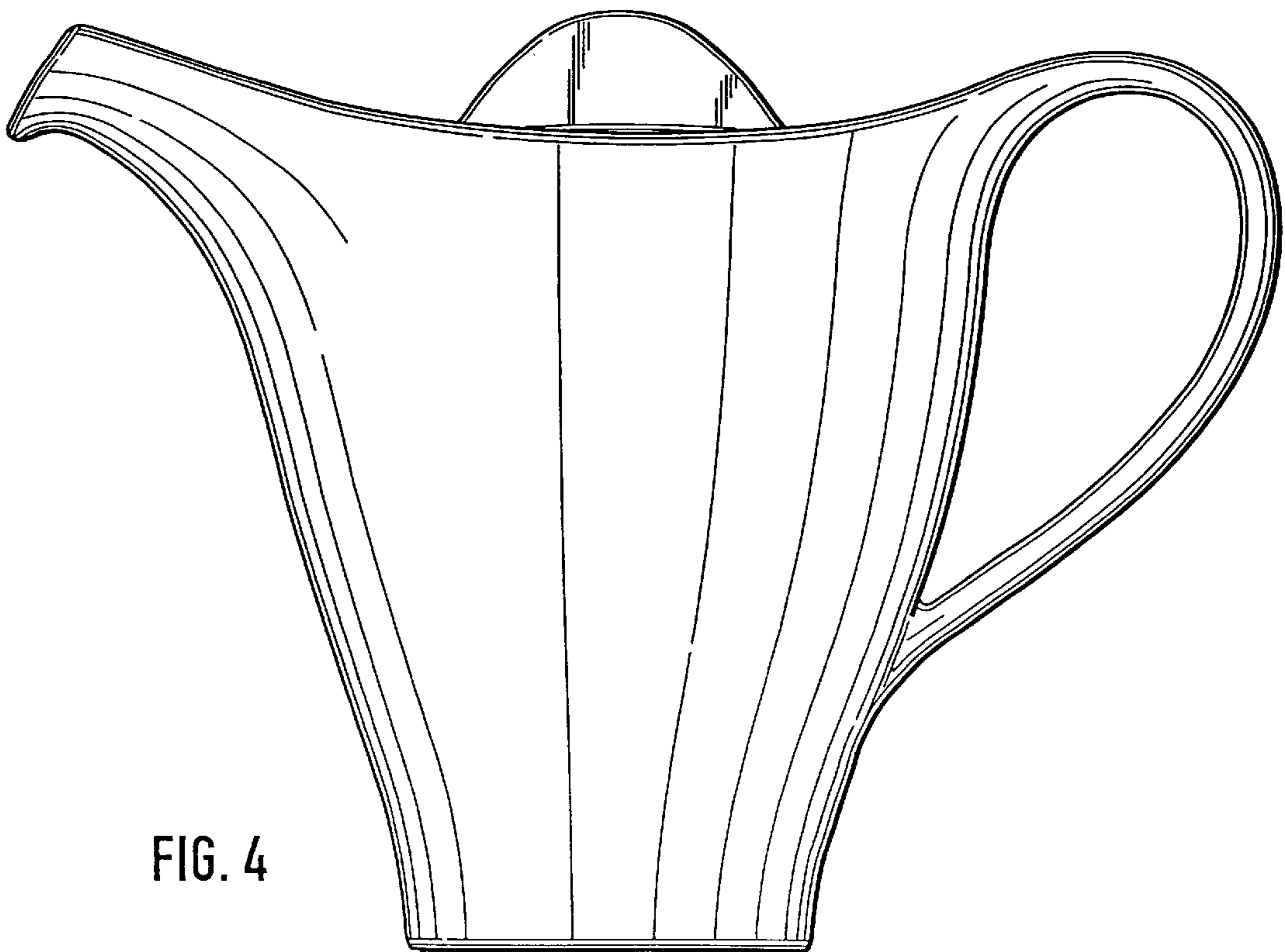


FIG. 5

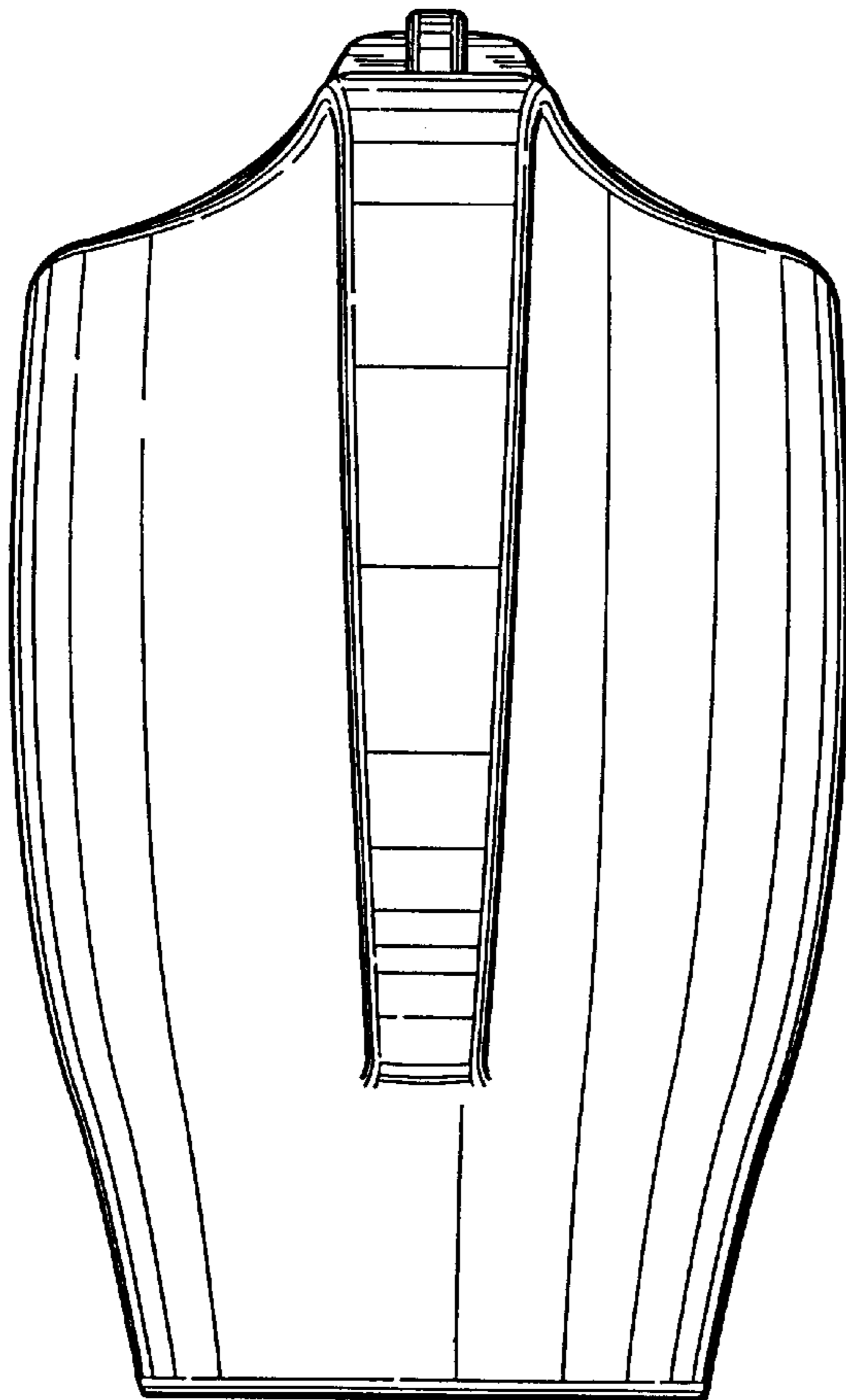


FIG. 6

