



US00D480254S

(12) **United States Design Patent**
Hirose

(10) **Patent No.:** **US D480,254 S**

(45) **Date of Patent:** **** Oct. 7, 2003**

(54) **CARAFE**

(75) **Inventor:** **Masato Hirose, Itasca, IL (US)**

(73) **Assignee:** **Thermos L.L.C., Schaumburg, IL (US)**

(**) **Term:** **14 Years**

(21) **Appl. No.:** **29/165,887**

(22) **Filed:** **Aug. 19, 2002**

(51) **LOC (7) Cl.** **07-01**

(52) **U.S. Cl.** **D7/318; D7/316**

(58) **Field of Search** **D7/312, 316, 317, D7/318, 319, 321, 305; 215/12.1, 396; 220/574, 755, 318, 189, 759; 222/566, 475, 465.1, 475.1, 188, 157, 494, 144.5, 131; 210/282, 470, 472; 99/323.3, 279, 281; D10/46.2**

(56) **References Cited**

U.S. PATENT DOCUMENTS

D175,086 S	*	7/1955	Mango	D7/318
D192,528 S	*	4/1962	Wright	D7/317
3,145,708 A	*	8/1964	Fischer	215/12.1 X
3,154,227 A	*	10/1964	Anderson et al.	222/475.1
3,306,505 A	*	2/1967	Serio	222/475.1
3,516,580 A	*	6/1970	Hester	222/475.1
3,688,936 A	*	9/1972	Killigrew, Jr.	215/396
3,800,988 A	*	4/1974	Karlen et al.	222/475.1
D241,400 S	*	9/1976	Painter	D7/318
D251,821 S	*	5/1979	Levine	D7/318
4,773,563 A	*	9/1988	Taylor	222/144.5

4,825,757 A	*	5/1989	Stoner	99/279
4,858,787 A	*	8/1989	Stone	222/188
D315,452 S	*	3/1991	Bunn et al.	D7/318
D337,235 S	*	7/1993	Huang	D7/317
D414,071 S	*	9/1999	Mork et al.	D7/319
D419,028 S	*	1/2000	Mork et al.	D7/321
D442,014 S	*	5/2001	Haring et al.	D7/319
D454,024 S	*	3/2002	Kling	D7/318

* cited by examiner

Primary Examiner—M. N. Pandozzi

(74) *Attorney, Agent, or Firm*—Wood, Phillips, Katz, Clark & Mortimer

(57) **CLAIM**

The ornamental design of a carafe, as shown and described.

DESCRIPTION

FIG. 1 is a perspective view of my carafe design taken from the upper right;

FIG. 2 is a perspective view of my carafe design taken from the lower left;

FIG. 3 is a front elevation of my carafe design, it being understood that a rear elevation is a mirror image of this FIG. 3;

FIG. 4 is a side elevation of my carafe design taken from the right of FIG. 3;

FIG. 5 is a side elevation of my carafe design taken from the left of FIG. 3;

FIG. 6 is a plan view of my carafe design; and,

FIG. 7 is a bottom view of my carafe design.

1 Claim, 5 Drawing Sheets

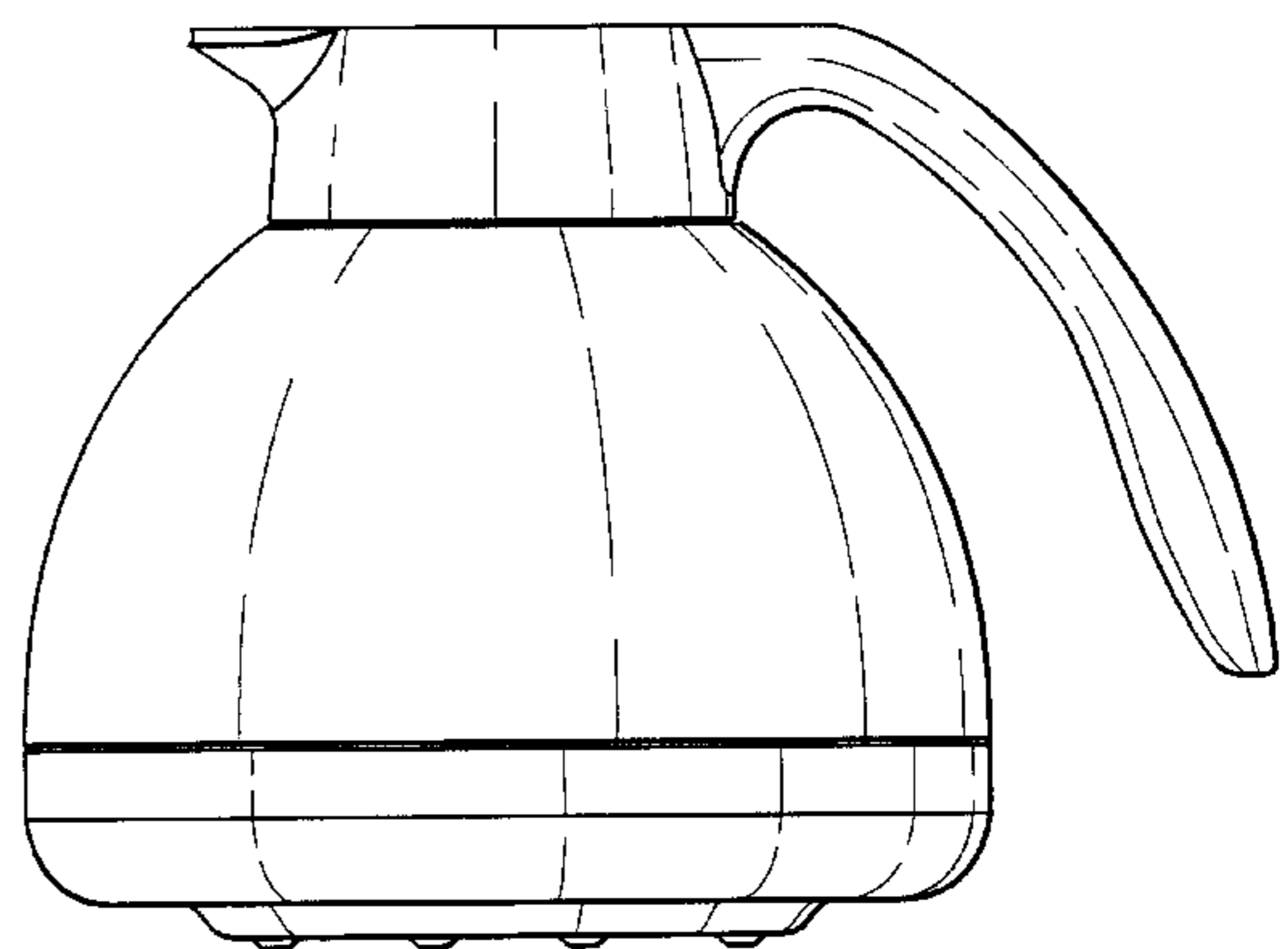
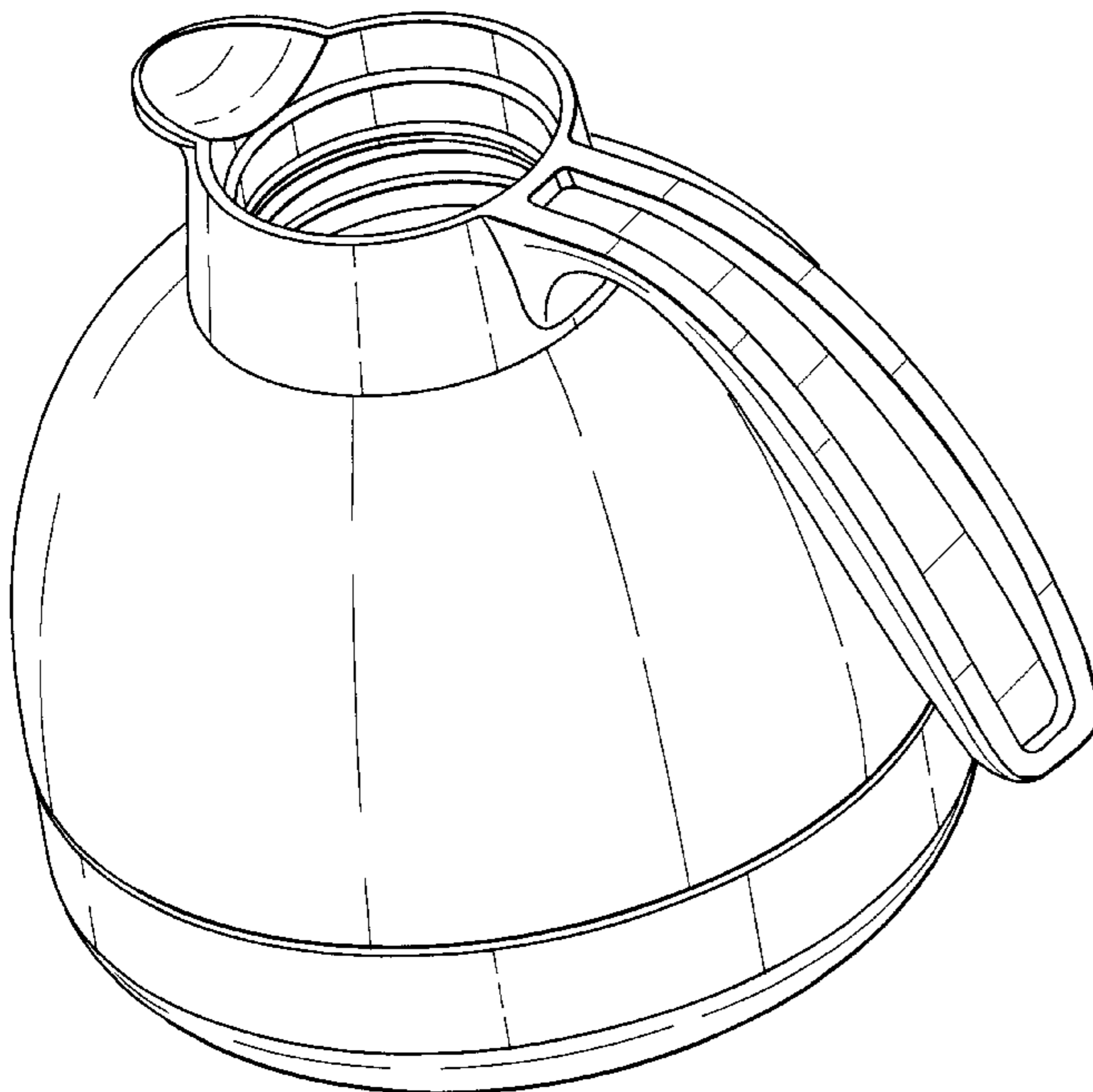


Fig. 1

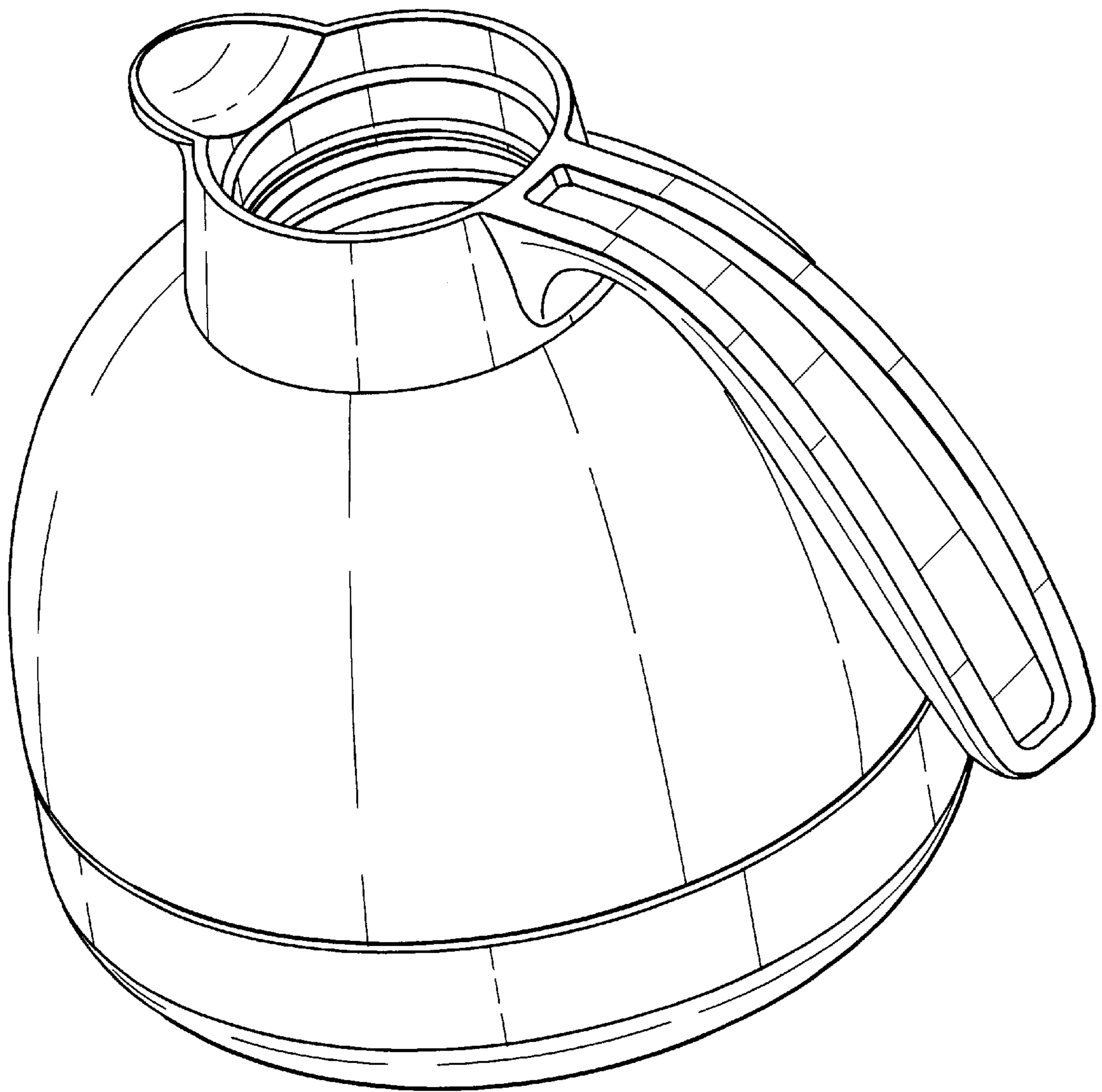


Fig. 2

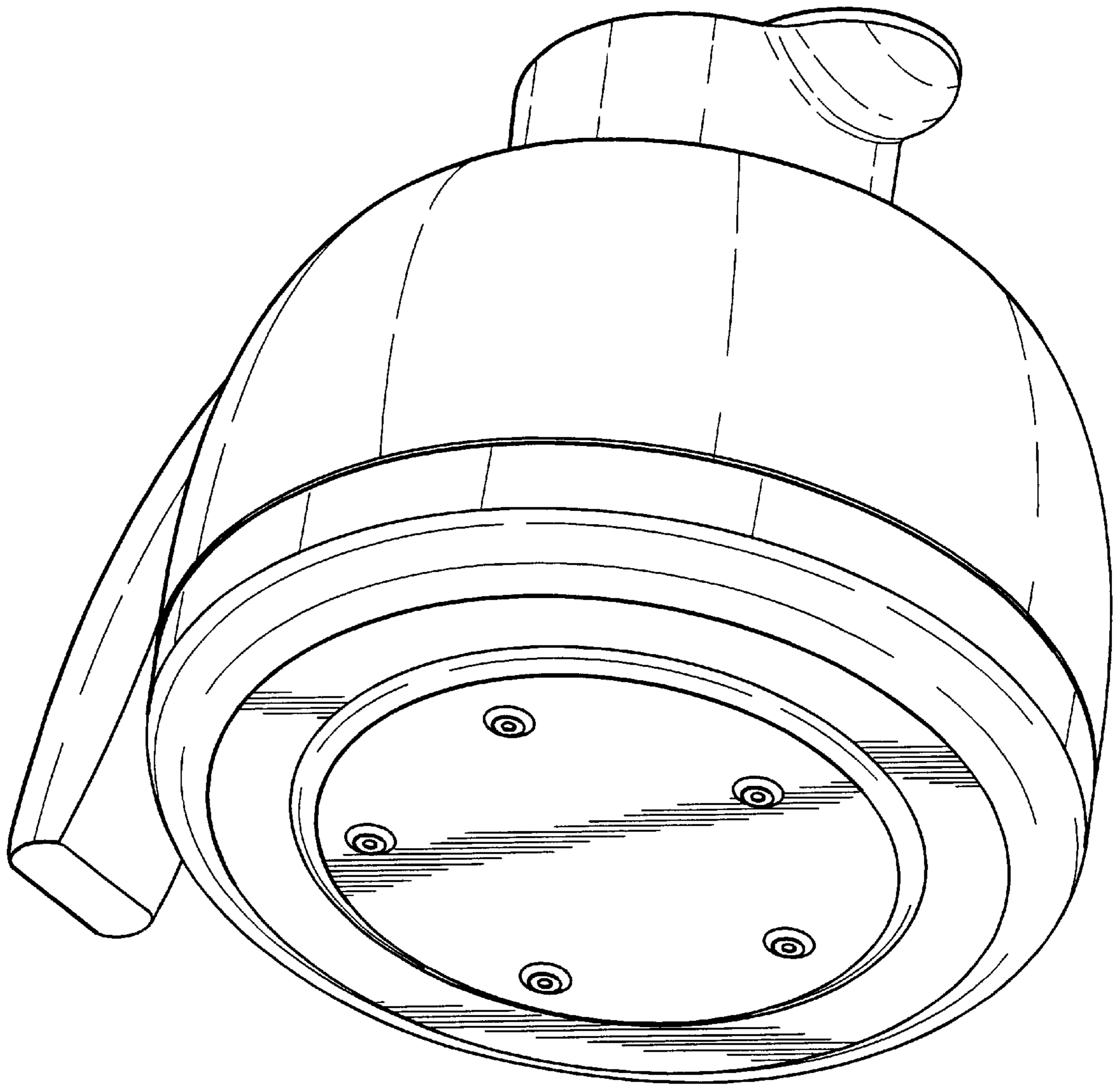


Fig. 3

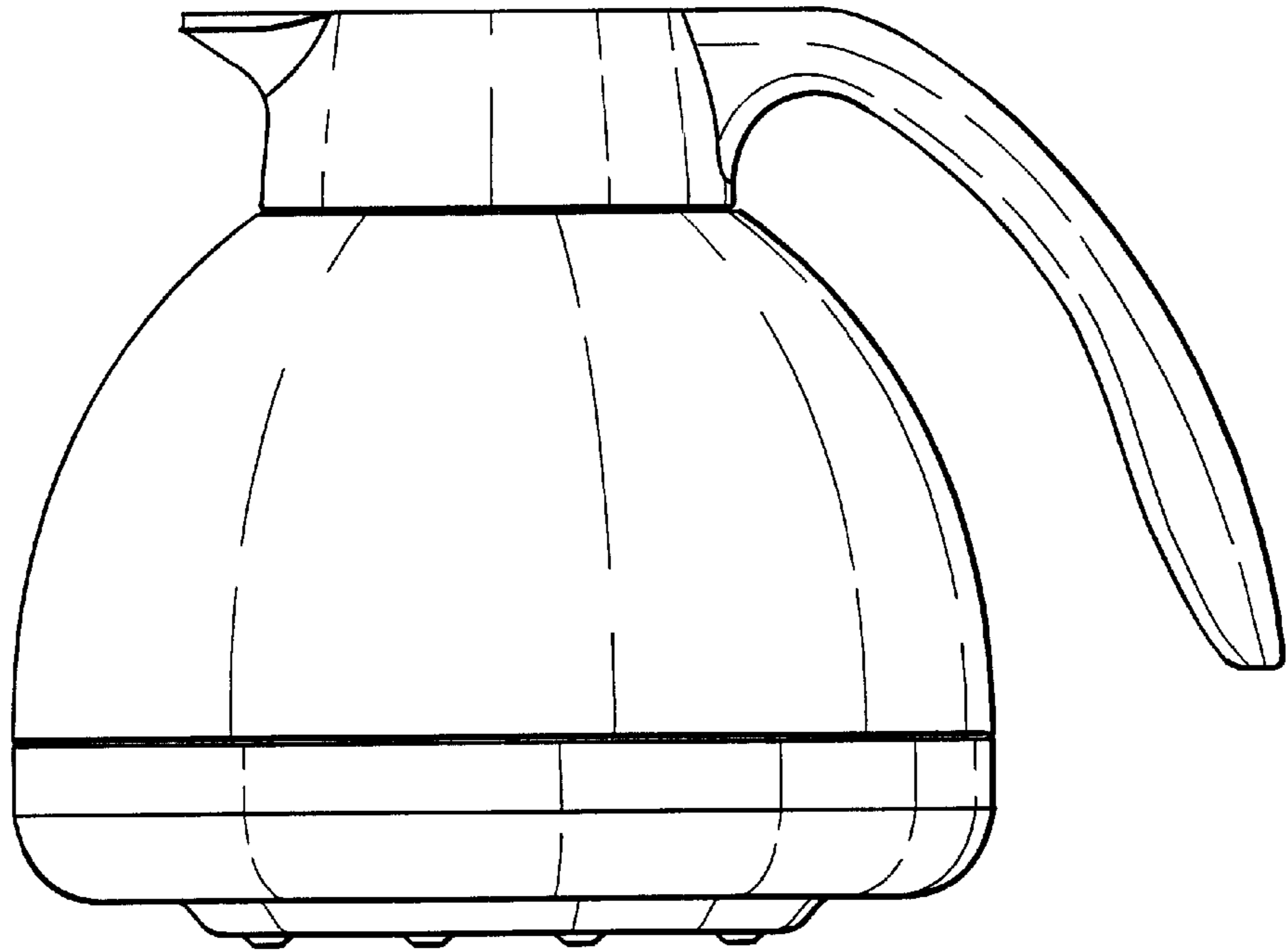


Fig. 4

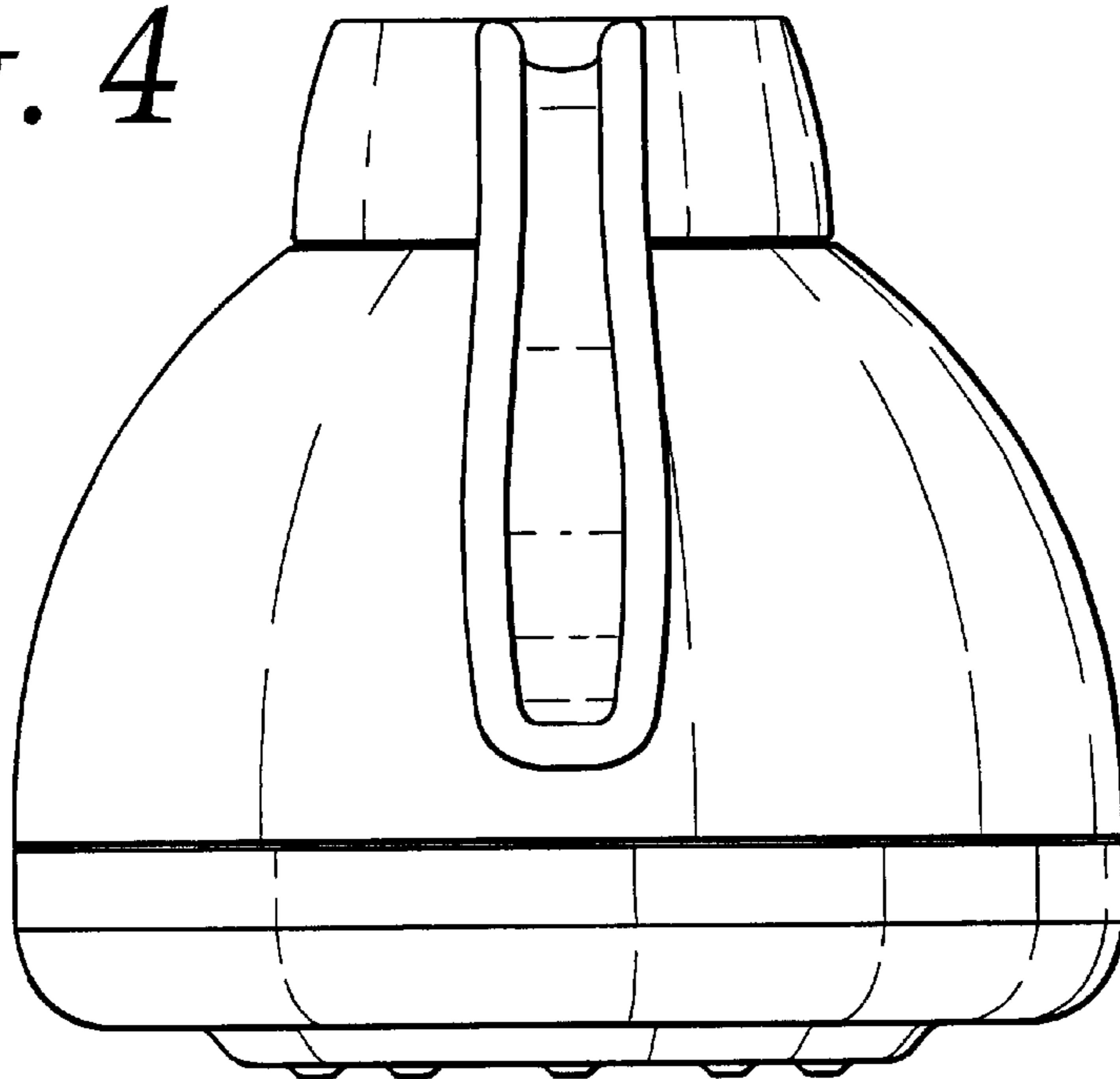


Fig. 5

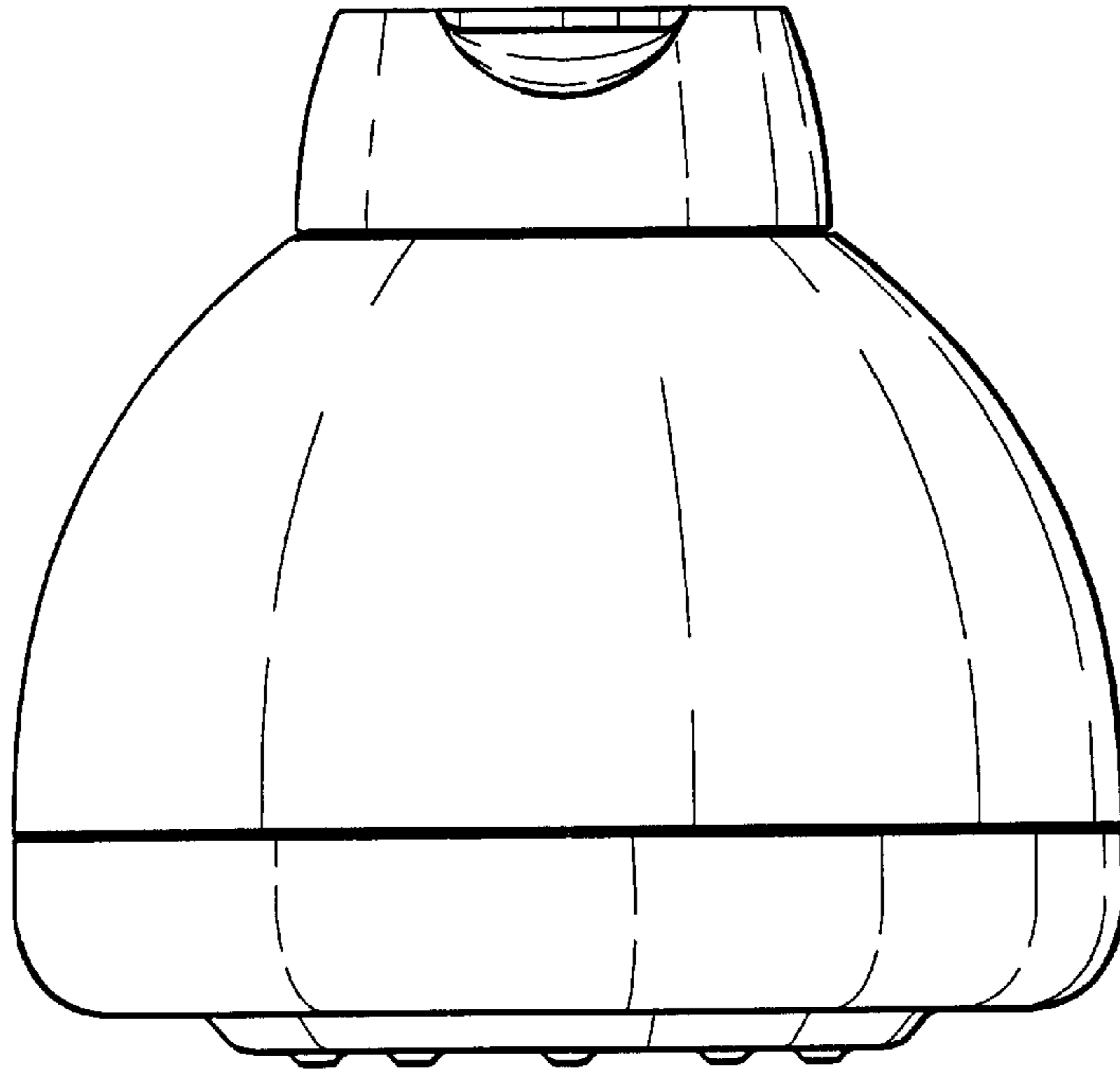


Fig. 6

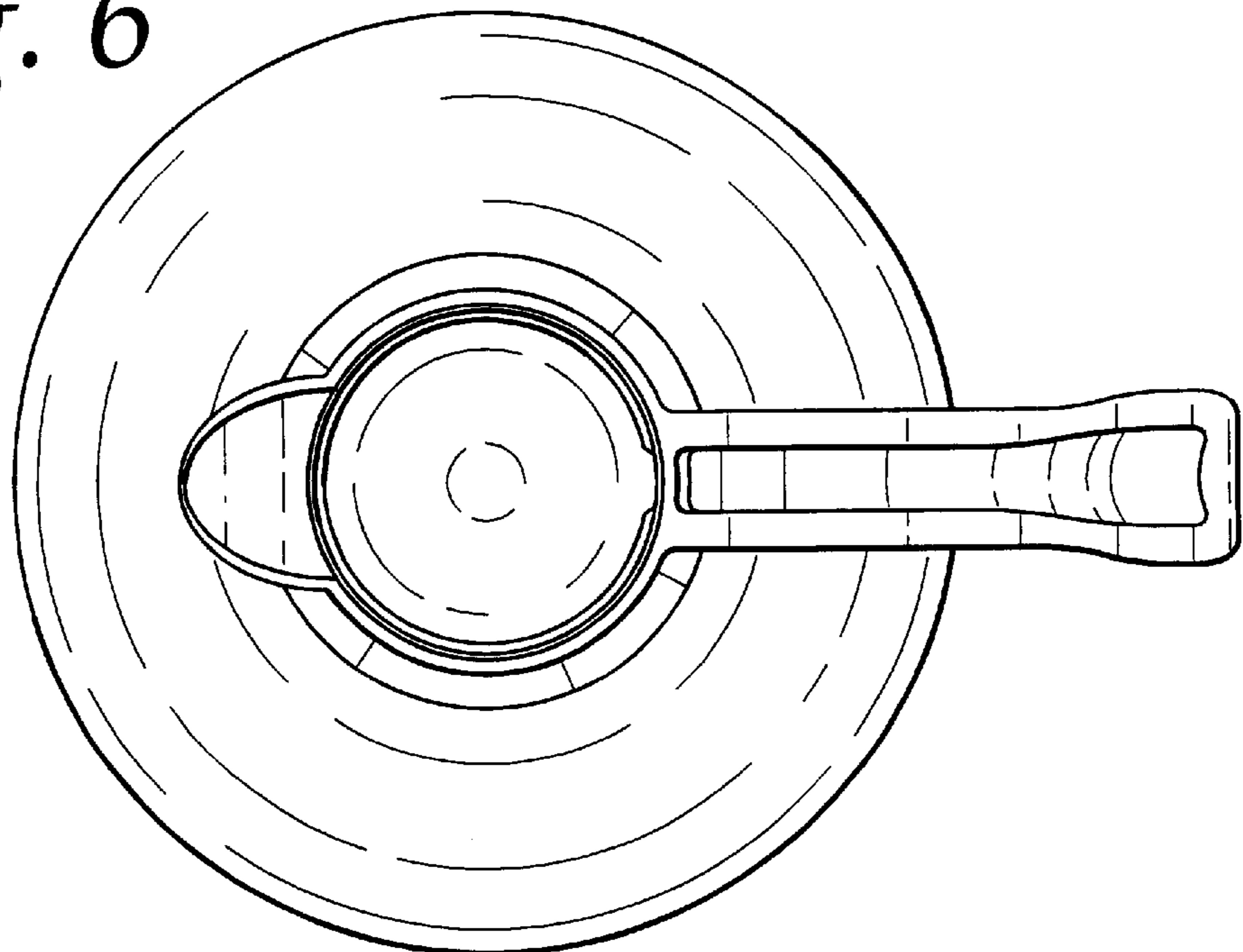


Fig. 7

