



US00D480250S

(12) **United States Design Patent**  
**Nainee**

(10) **Patent No.:** **US D480,250 S**

(45) **Date of Patent:** **\*\* Oct. 7, 2003**

- (54) **VENETIAN BLIND HEADRAIL**
- (76) Inventor: **Errol J. Nainee**, 112 Lanyard Road,  
Toronto, Ontario (CA)
- (\*\*) Term: **14 Years**
- (21) Appl. No.: **29/161,967**
- (22) Filed: **Jun. 10, 2002**
- (51) **LOC (7) Cl.** ..... **06-10**
- (52) **U.S. Cl.** ..... **D6/580**
- (58) **Field of Search** ..... D6/577, 580, 581;  
160/128.1 R, 177 R, 38; 248/251, 261

- D337,469 S 7/1993 Young et al. .... D6/580
- D355,093 S 2/1995 Morris ..... D6/580
- D355,094 S 2/1995 Josephson ..... D6/580
- 5,533,560 A 7/1996 Morris ..... 160/178
- D385,449 S 10/1997 Morris ..... D6/580
- 5,816,308 A \* 10/1998 De Hoyos ..... 160/178.1 R
- 6,431,247 B1 \* 8/2002 Harrison, Jr. et al. . 160/168.1 R

**FOREIGN PATENT DOCUMENTS**

GB 899592 6/1962

\* cited by examiner

*Primary Examiner*—Robin V. Taylor

(74) *Attorney, Agent, or Firm*—Gowling Lafleur Henderson  
LLP

- (56) **References Cited**
- U.S. PATENT DOCUMENTS**
- 1,259,450 A 3/1918 Smith
- 1,476,160 A 12/1923 Kirsch
- D130,813 S 12/1941 Carter, Jr.
- 2,698,727 A 1/1955 Rutledge ..... 248/264
- 2,986,627 A 5/1961 Marriett ..... 240/2
- 3,169,006 A 2/1965 Lorentzen et al. .... 248/262
- 4,235,406 A 11/1980 Vecchiarelli ..... 248/251
- 4,399,855 A 8/1983 Volfson ..... 160/23 R
- 4,406,435 A 9/1983 Anderson ..... 248/261
- 4,411,401 A \* 10/1983 Anderson ..... 248/262
- 4,802,644 A 2/1989 Oskam ..... 248/251
- 4,919,185 A 4/1990 Comeau et al. .... 160/178
- 4,938,443 A 7/1990 Rowe ..... 248/251
- 4,949,926 A \* 8/1990 Liu ..... 248/251
- 4,951,730 A 8/1990 Hsu ..... 160/310
- 5,074,350 A 12/1991 Carter ..... 160/178
- 5,180,130 A 1/1993 McMichael ..... 248/251

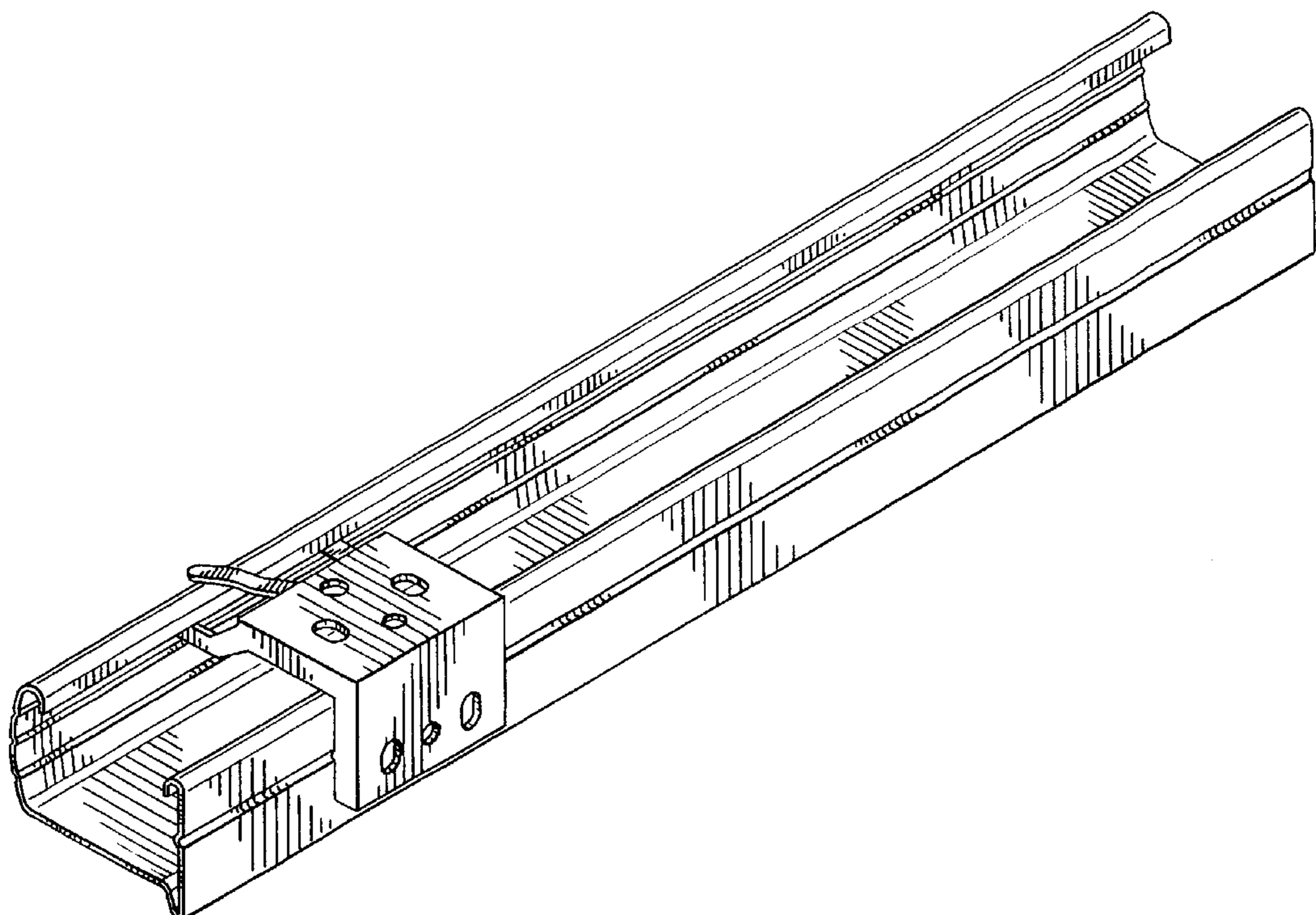
(57) **CLAIM**

I claim the ornamental design for the venetian blind headrail,  
as shown.

**DESCRIPTION**

- FIG. 1. is a perspective view of the venetian blind headrail  
taken from one end.
- FIG. 2. is a perspective view taken from the opposite end.
- FIG. 3. is a top plan view of the venetian blind headrail.
- FIG. 4. is a bottom plan view.
- FIG. 5. is a front elevation view of the venetian blind  
headrail.
- FIG. 6. is a rear elevation; and,
- FIG. 7. is an enlarged end elevation of the venetian blind  
headrail.

**1 Claim, 4 Drawing Sheets**



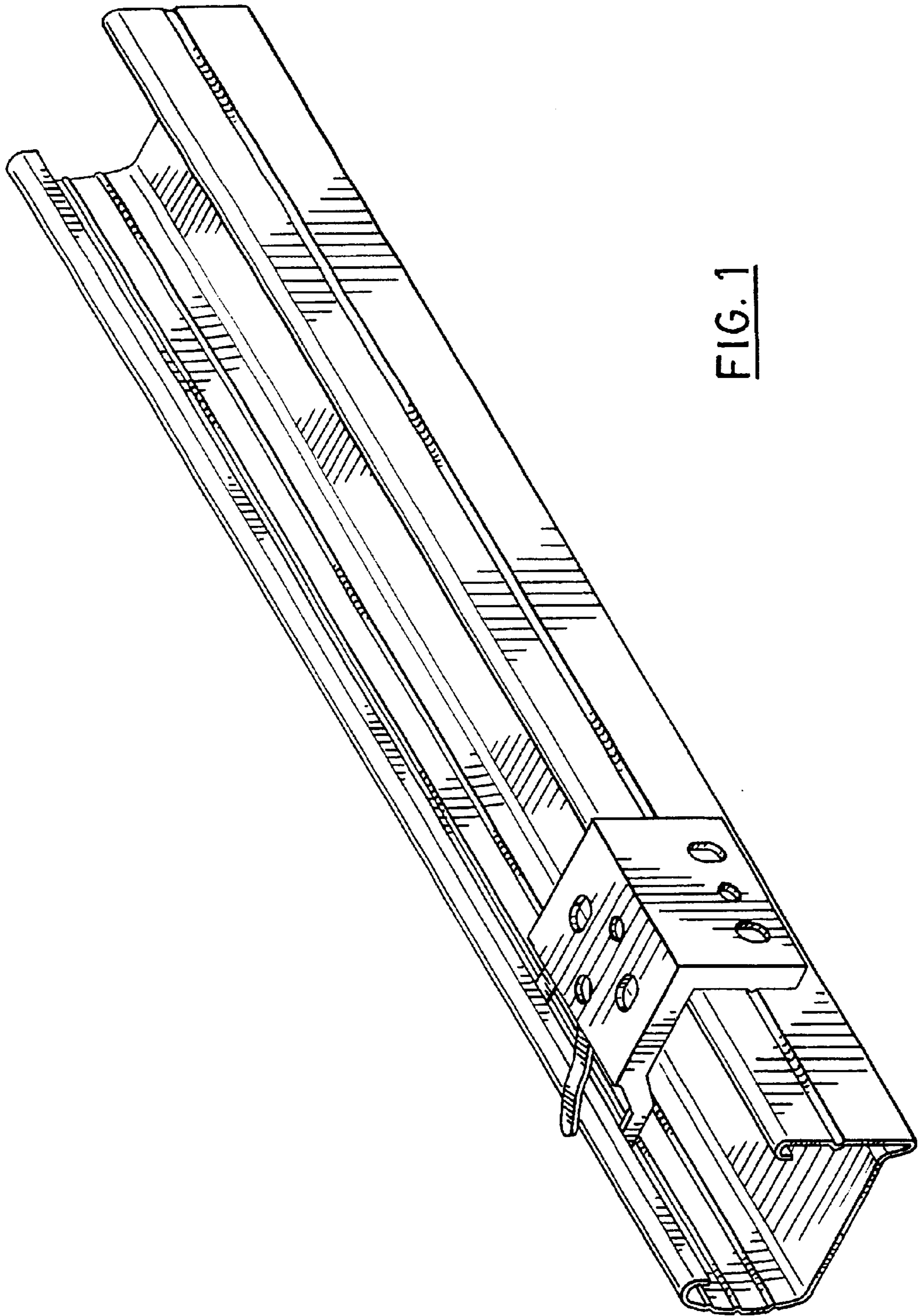


FIG. 1

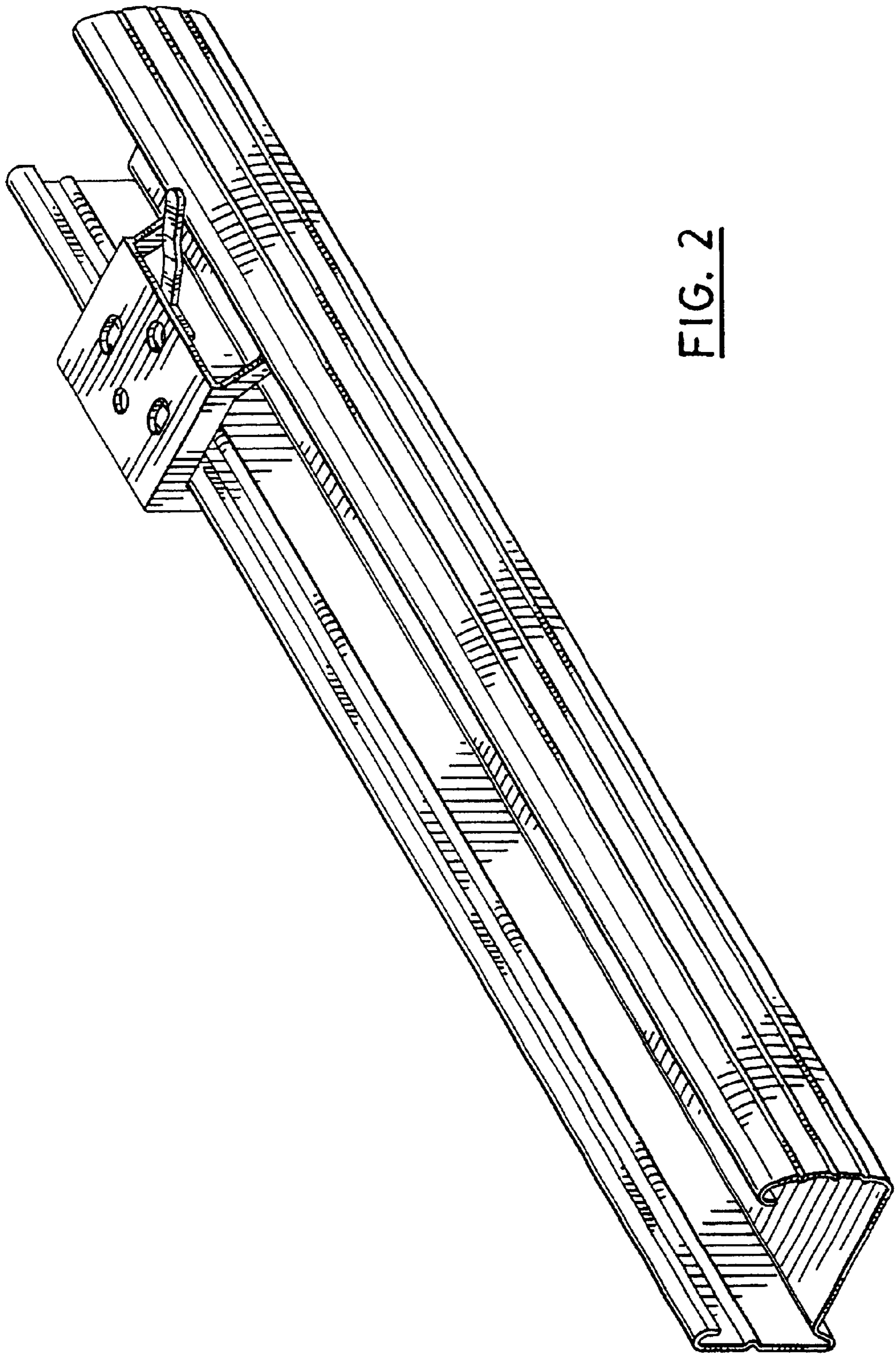


FIG. 2

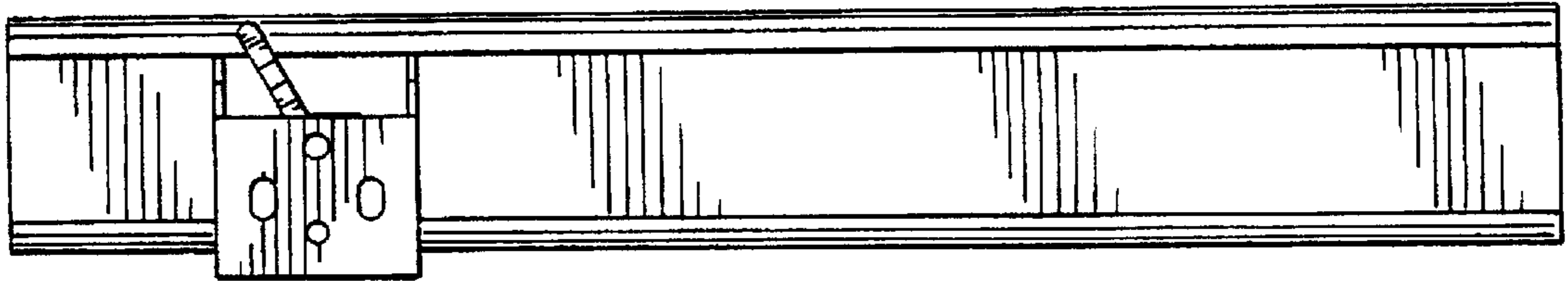


FIG. 3

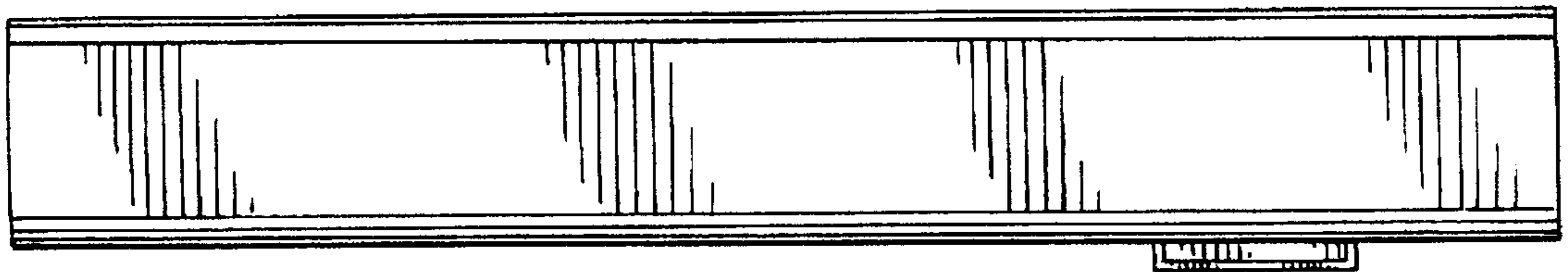


FIG. 4

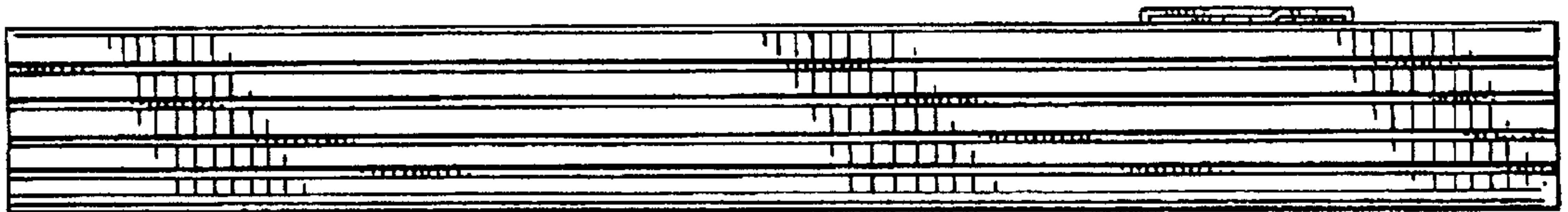


FIG. 5

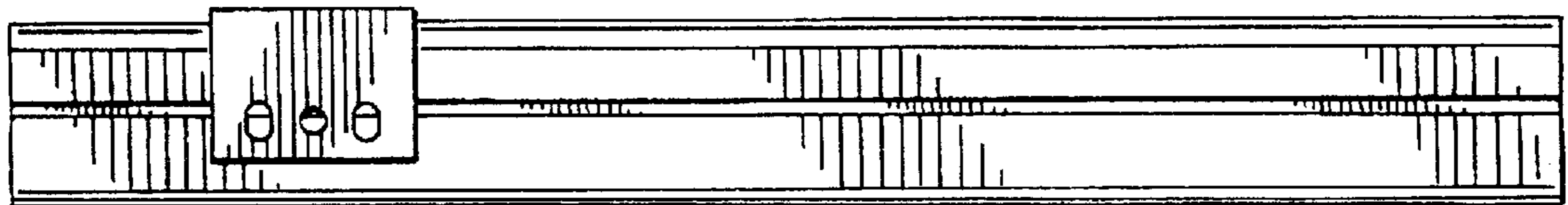


FIG. 6

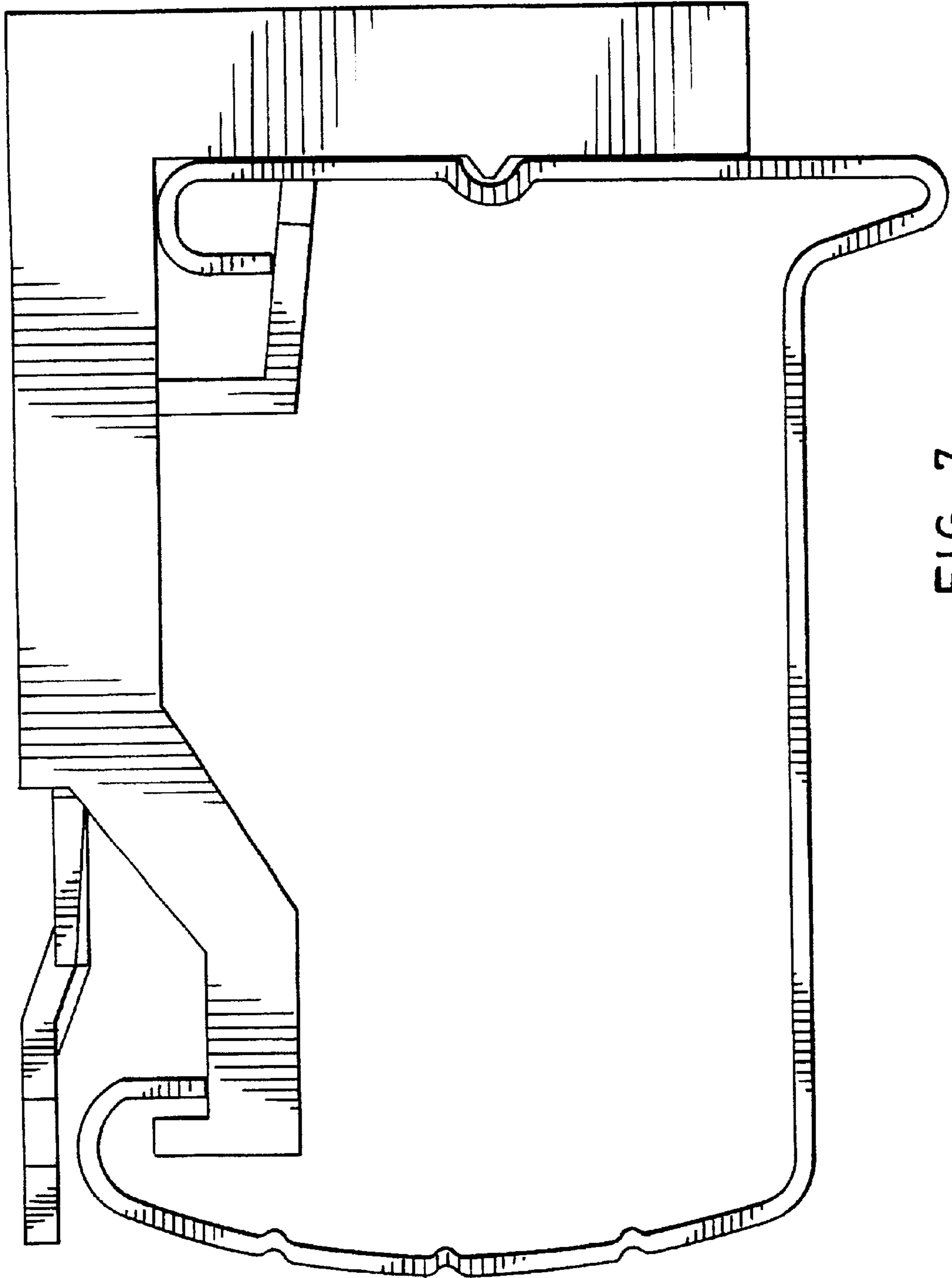


FIG. 7