



US00D480245S

(12) **United States Design Patent**  
**Johansson et al.**

(10) **Patent No.:** **US D480,245 S**

(45) **Date of Patent:** **\*\* Oct. 7, 2003**

(54) **MOUNTABLE TOOTHBRUSH/RAZOR  
HOLDER**

D347,538 S \* 6/1994 Fleischer ..... D6/528 X  
D451,729 S \* 12/2001 Henderson et al. .... D6/528  
D451,731 S \* 12/2001 Henderson ..... D6/534  
6,401,943 B1 \* 6/2002 Root ..... 211/65

(75) Inventors: **Ronald C. Johansson**, Stillwater, MN (US); **Jon A. Kirschhoffer**, White Bear Lake, MN (US); **Amelia A. Williams**, Woodbury, MN (US); **Mark E. Mnich**, Columbus, OH (US); **Jeffrey R. Burger**, Bexley, OH (US); **Michael A. Lorenz, Jr.**, Gahanna, OH (US); **Michael J. Painter**, Columbus, OH (US)

\* cited by examiner

*Primary Examiner*—Brian N. Vinson  
(74) *Attorney, Agent, or Firm*—David B. Patchett

(73) Assignee: **3M Innovative Properties Company**, St. Paul, MN (US)

(57) **CLAIM**

The ornamental design for a mountable toothbrush/razor holder, as shown and described.

(\*\*) Term: **14 Years**

**DESCRIPTION**

(21) Appl. No.: **29/176,785**

FIG. 1 is a perspective view of a mountable toothbrush/razor holder showing the new design;

(22) Filed: **Feb. 26, 2003**

FIG. 2 is a side view thereof;

(51) **LOC (7) Cl.** ..... **23-02**

(52) **U.S. Cl.** ..... **D6/528**

(58) **Field of Search** ..... D6/524, 526, 527, D6/528, 534; 206/228, 208, 209, 209.1, 361, 362.1, 362.2, 362.3, 362; 211/13.1, 65, 66, 70.6, 86.01, 87.01

FIG. 3 is a front view thereof;

FIG. 4 is a top view thereof;

FIG. 5 is a back view thereof; and,

FIG. 6 is a bottom view thereof.

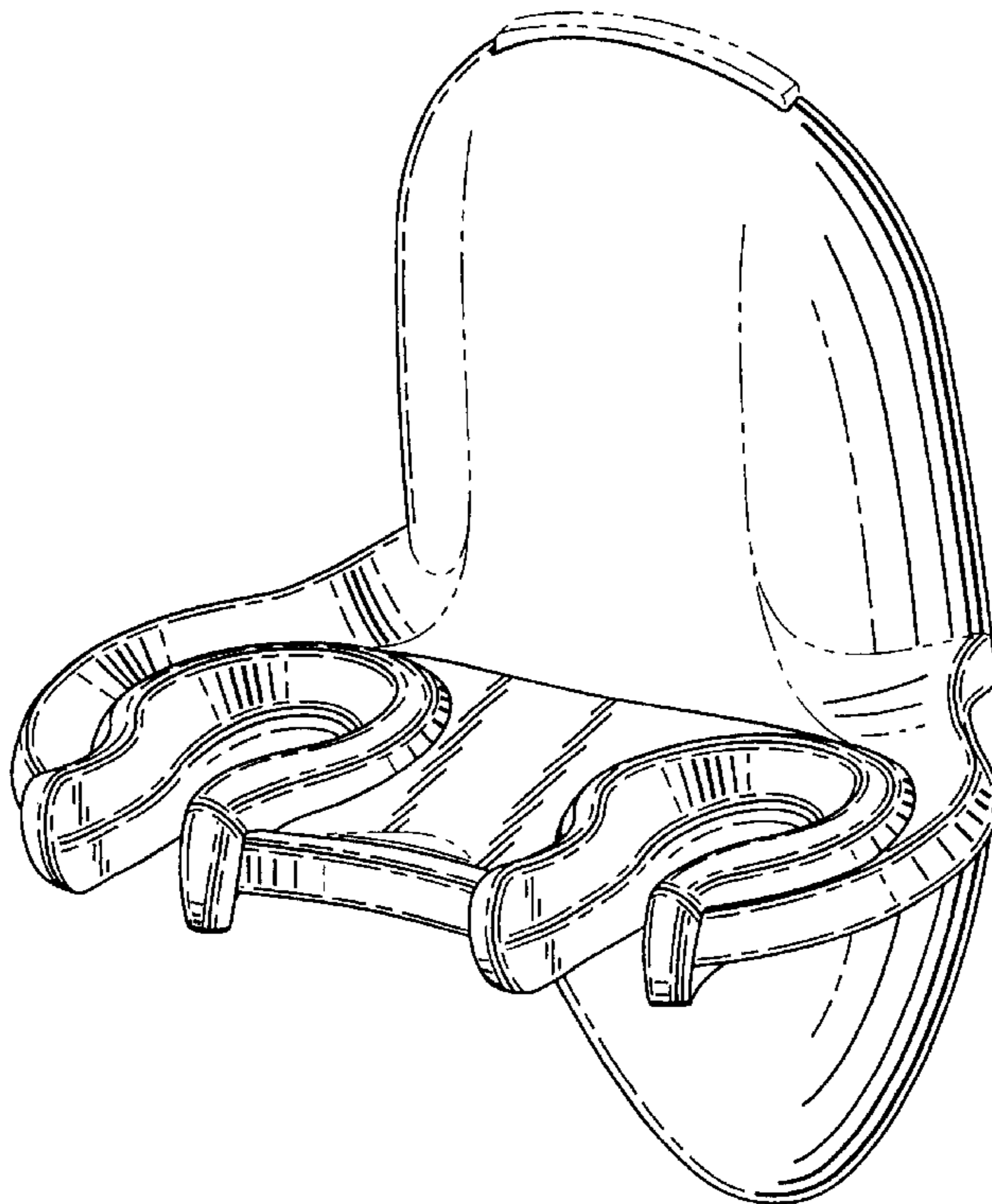
The broken lines shown in the drawings form no part of the claimed design. The shading shown in the drawings is provided merely to indicate the contour of the design; it is not intended to be indicative of any particular texture, etc.

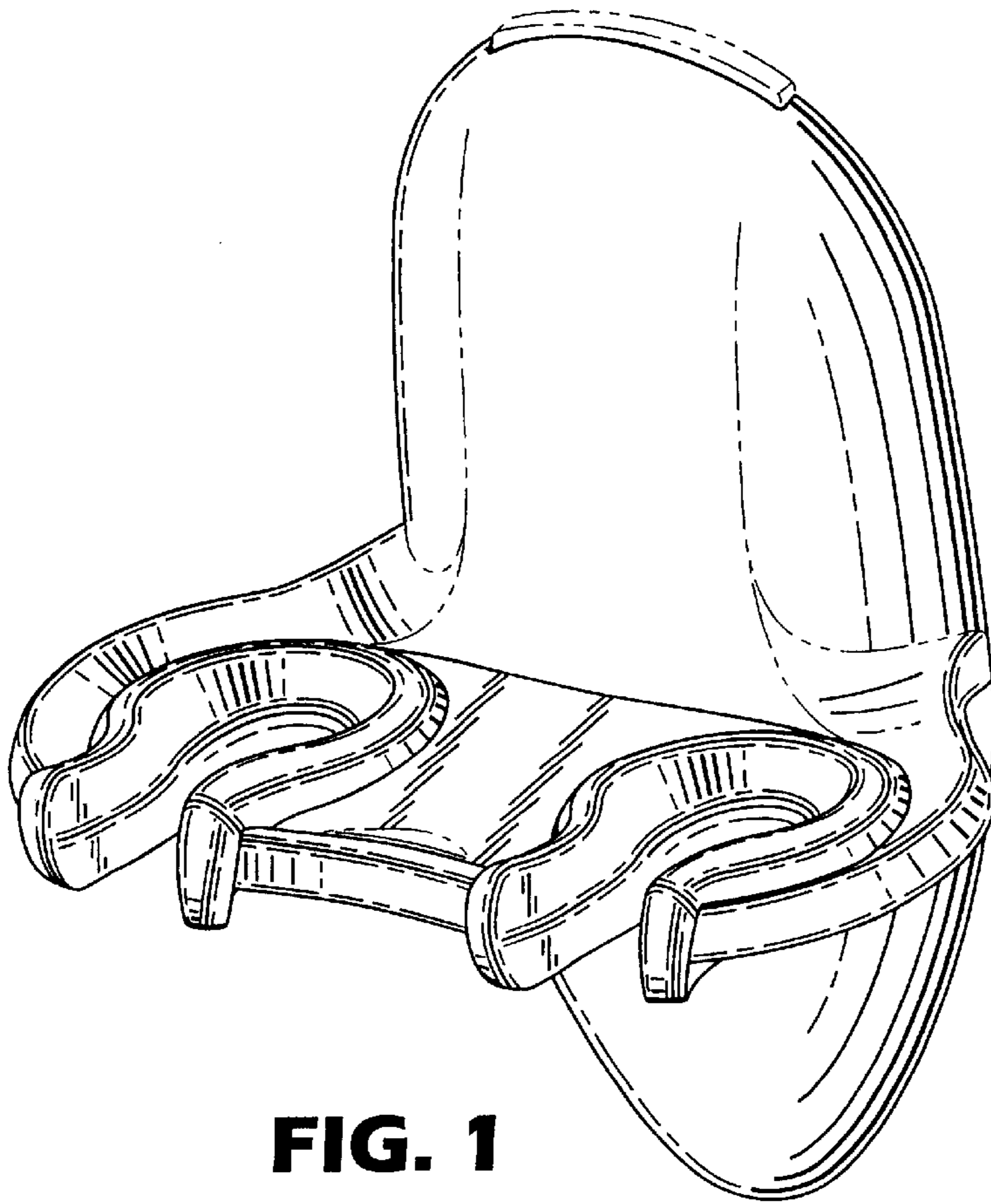
(56) **References Cited**

**U.S. PATENT DOCUMENTS**

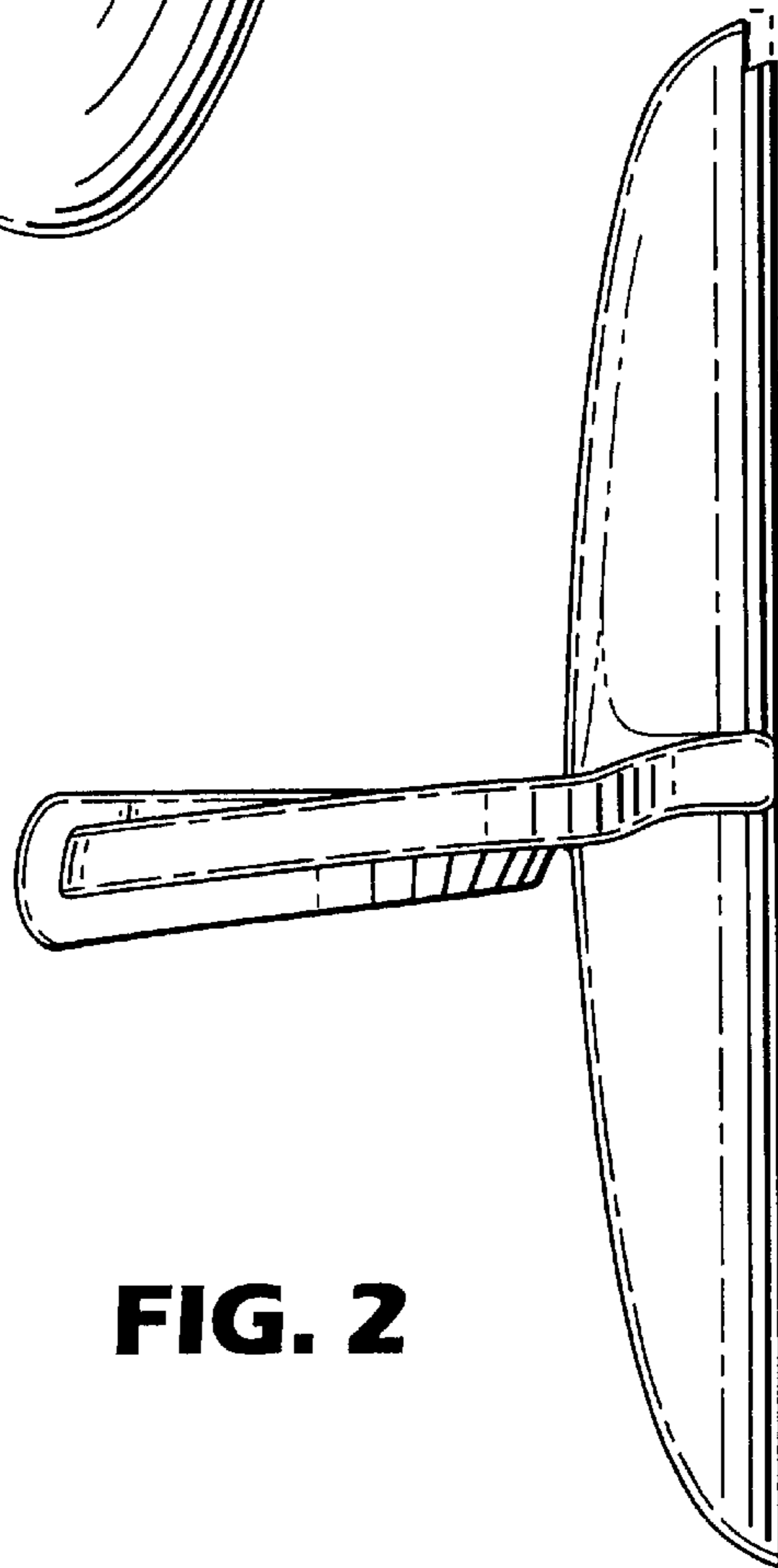
D334,500 S \* 4/1993 LaLonde ..... D6/526 X

**1 Claim, 3 Drawing Sheets**

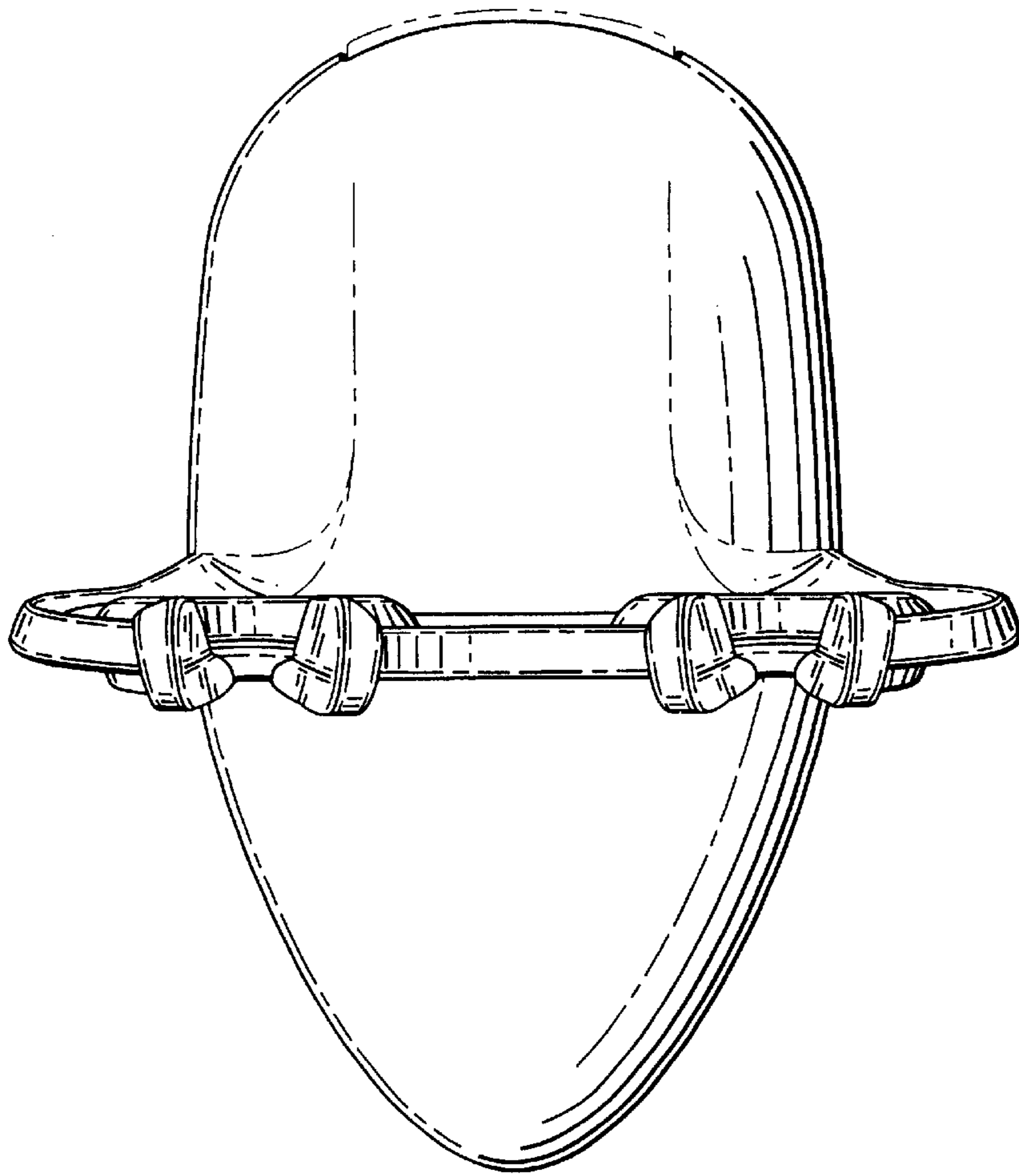




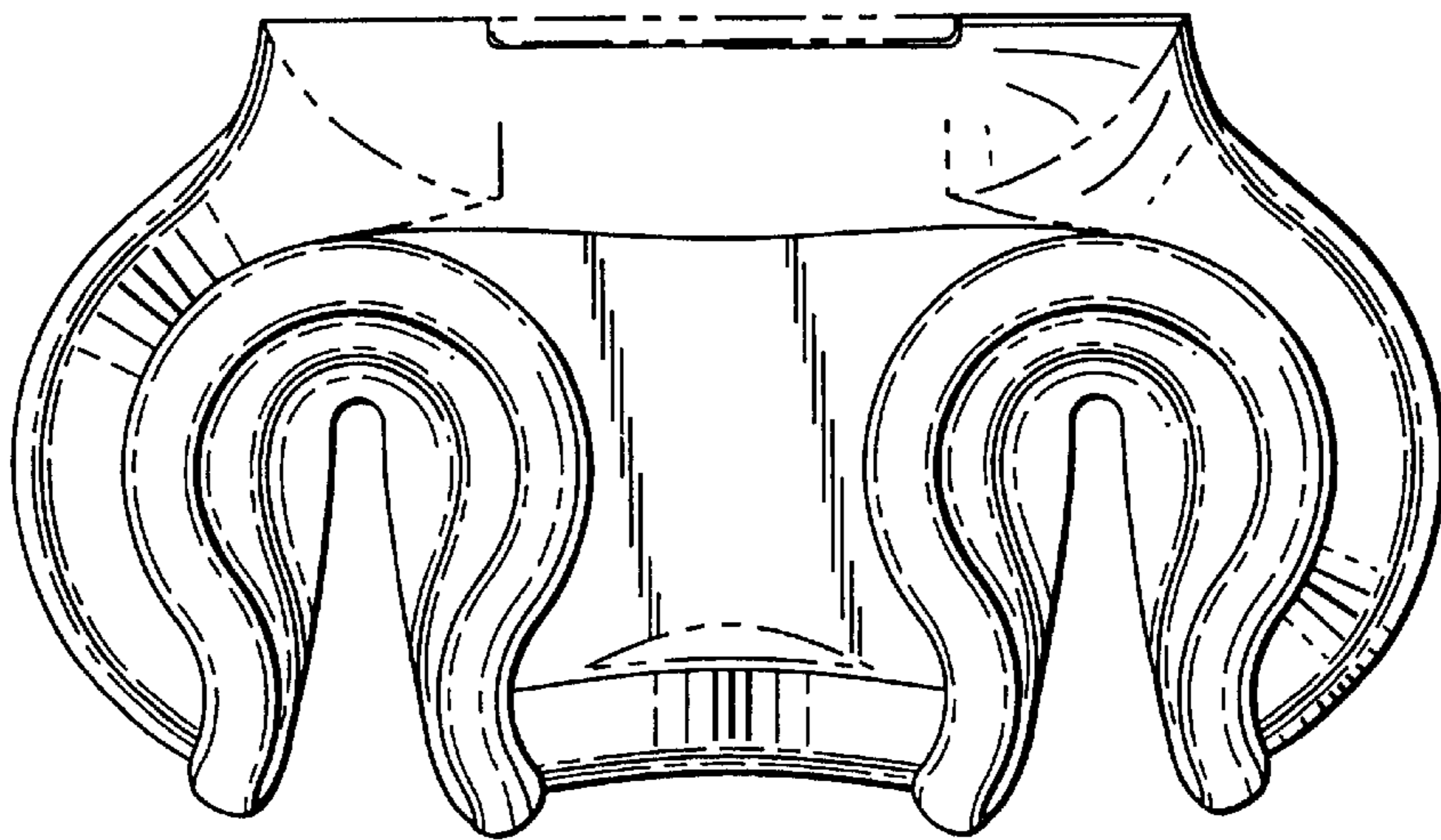
**FIG. 1**



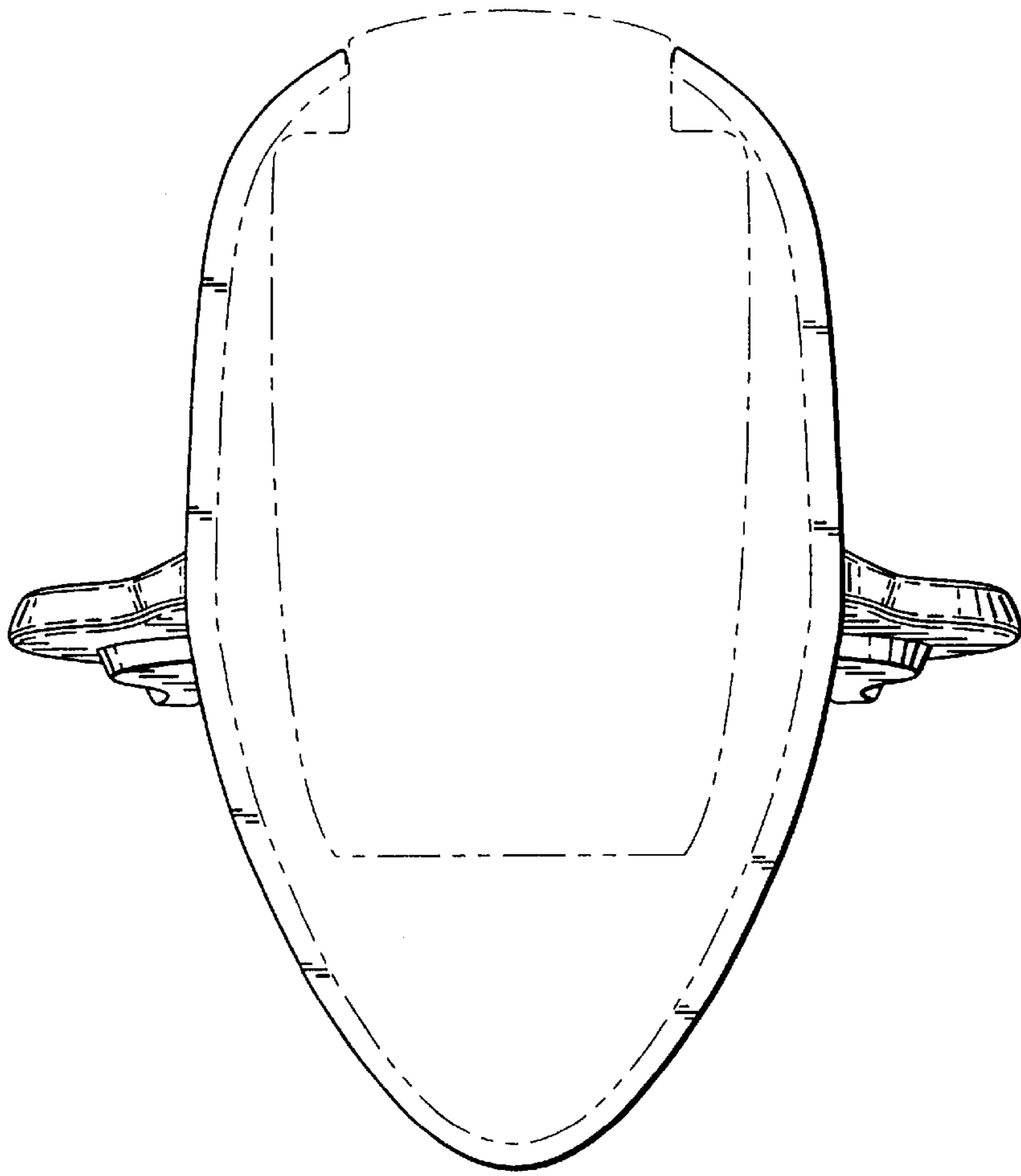
**FIG. 2**



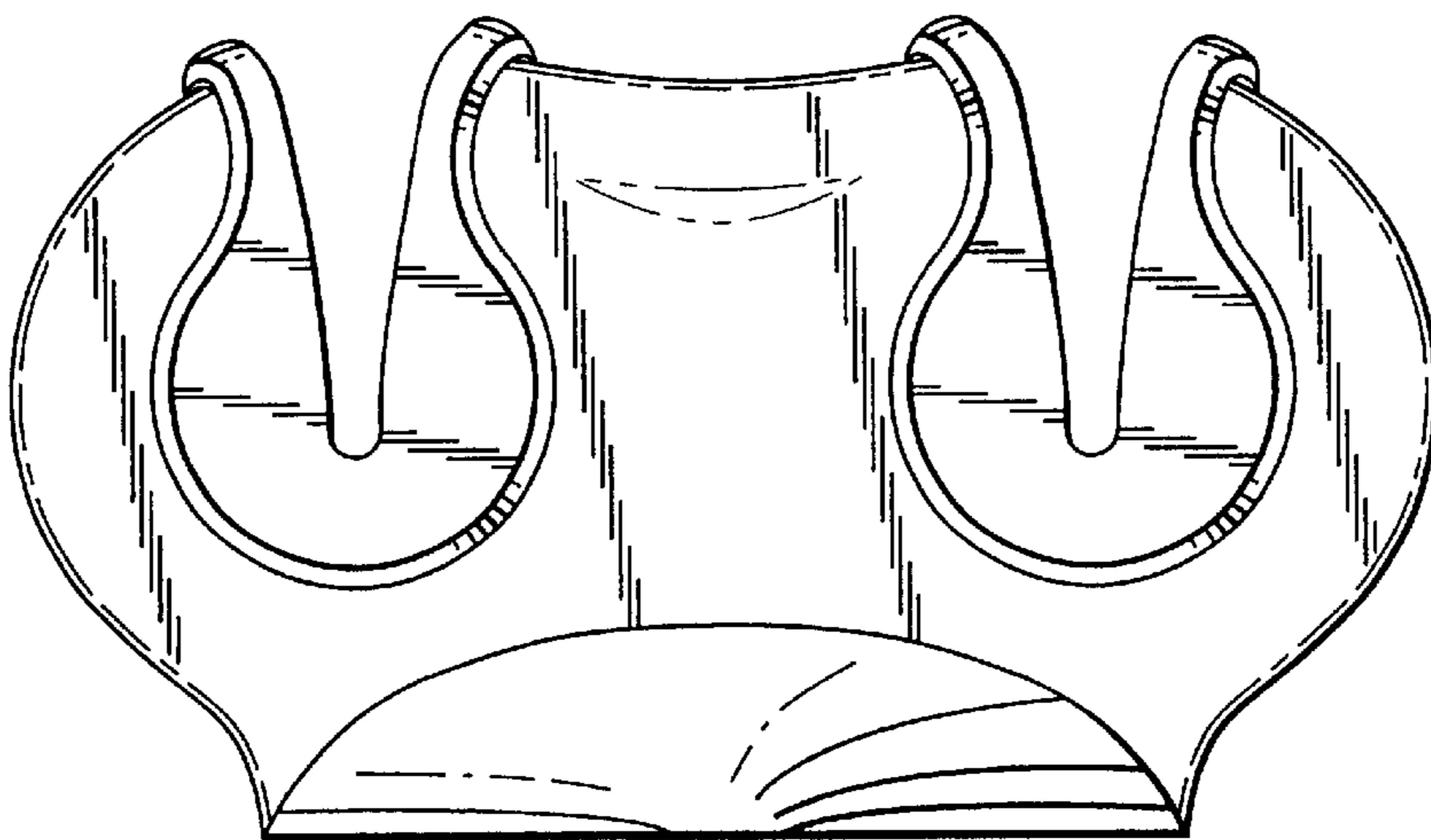
**FIG. 3**



**FIG. 4**



**FIG. 5**



**FIG. 6**