



US00D480243S

(12) **United States Design Patent**
Edwards et al.

(10) **Patent No.:** **US D480,243 S**

(45) **Date of Patent:** **** Oct. 7, 2003**

(54) **BAG DISPENSER**

(76) Inventors: **Timothy Edwards**, 2090 Dewbery Ct.,
Westlake Village, CA (US) 91361;
Mary Edwards, 2090 Dewbery Ct.,
Westlake Village, CA (US) 91361

(**) Term: **14 Years**

(21) Appl. No.: **29/167,224**

(22) Filed: **Sep. 10, 2002**

(51) **LOC (7) Cl.** **20-02**

(52) **U.S. Cl.** **D6/515; D9/307; D23/234**

(58) **Field of Search** **D6/512, 515, 518;**
D7/599; D9/307, 322, 339; D23/234; D30/160-162,
199; 206/457, 527; 215/400

(56) **References Cited**

U.S. PATENT DOCUMENTS

D231,306 S	*	4/1974	Breglia	D7/599
D240,062 S	*	5/1976	Sutton	D23/234
D328,620 S	*	8/1992	Maple	D23/234
D356,000 S	*	3/1995	Henrick et al.	D30/162
D464,179 S	*	10/2002	Petersen et al.	D30/162

OTHER PUBLICATIONS

Avon Products Inc. Nov. 1975. p. 54, "No Parking
Decanter".*

* cited by examiner

Primary Examiner—Sandra L. Morris
(74) *Attorney, Agent, or Firm*—Kelly Bauersfeld Lowry &
Kelley, LLP

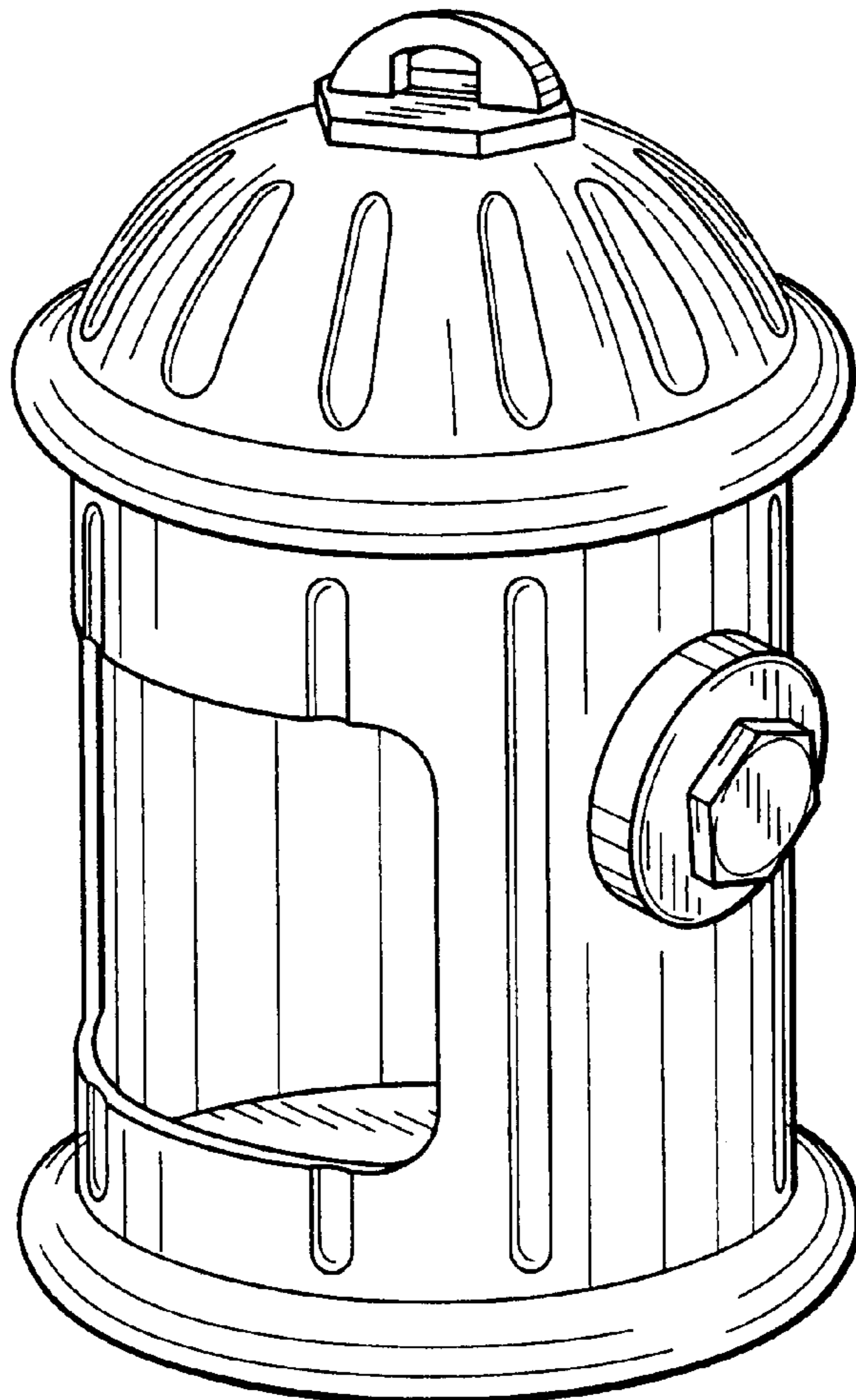
(57) **CLAIM**

The ornamental design for a bag dispenser, as shown.

DESCRIPTION

FIG. 1 is a front, top and left-side perspective view of a bag
dispenser embodying our new design;
FIG. 2 is a front elevational view thereof;
FIG. 3 is a rear elevational view thereof;
FIG. 4 is a right-side elevational view thereof;
FIG. 5 is a left-side elevational view thereof;
FIG. 6 is a top plan view thereof; and,
FIG. 7 is a bottom plan view thereof.

1 Claim, 2 Drawing Sheets



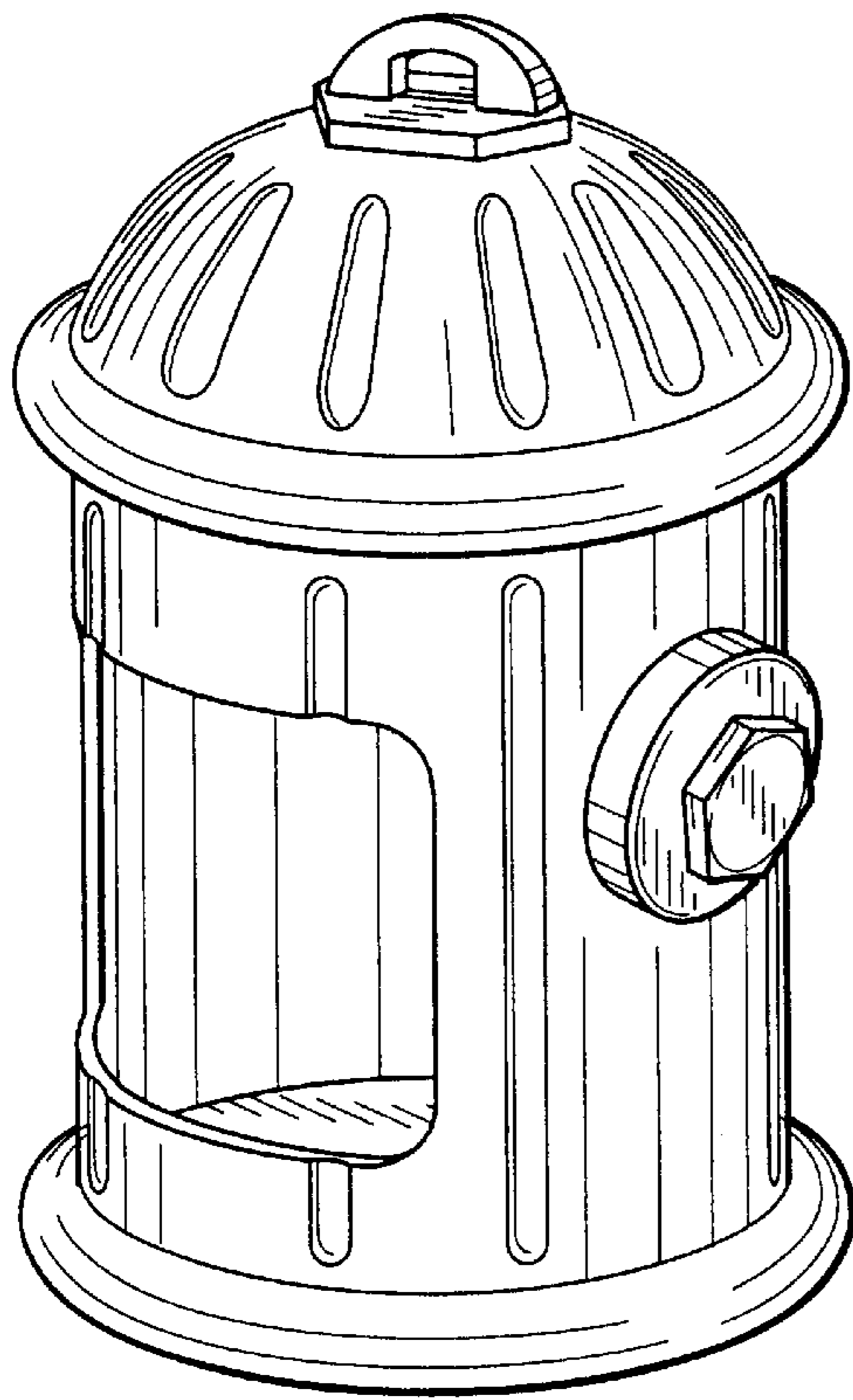


FIG. 1

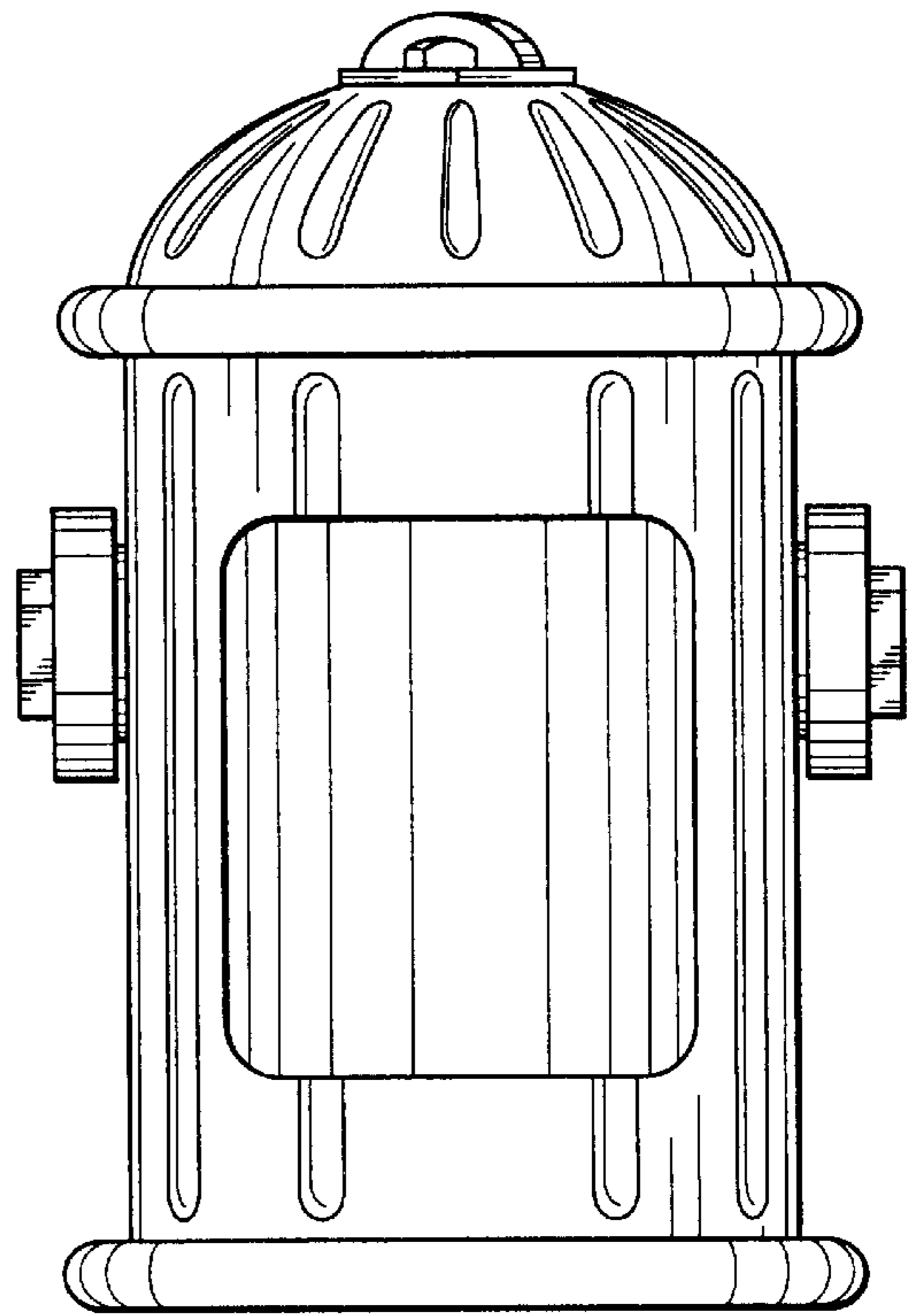


FIG. 2

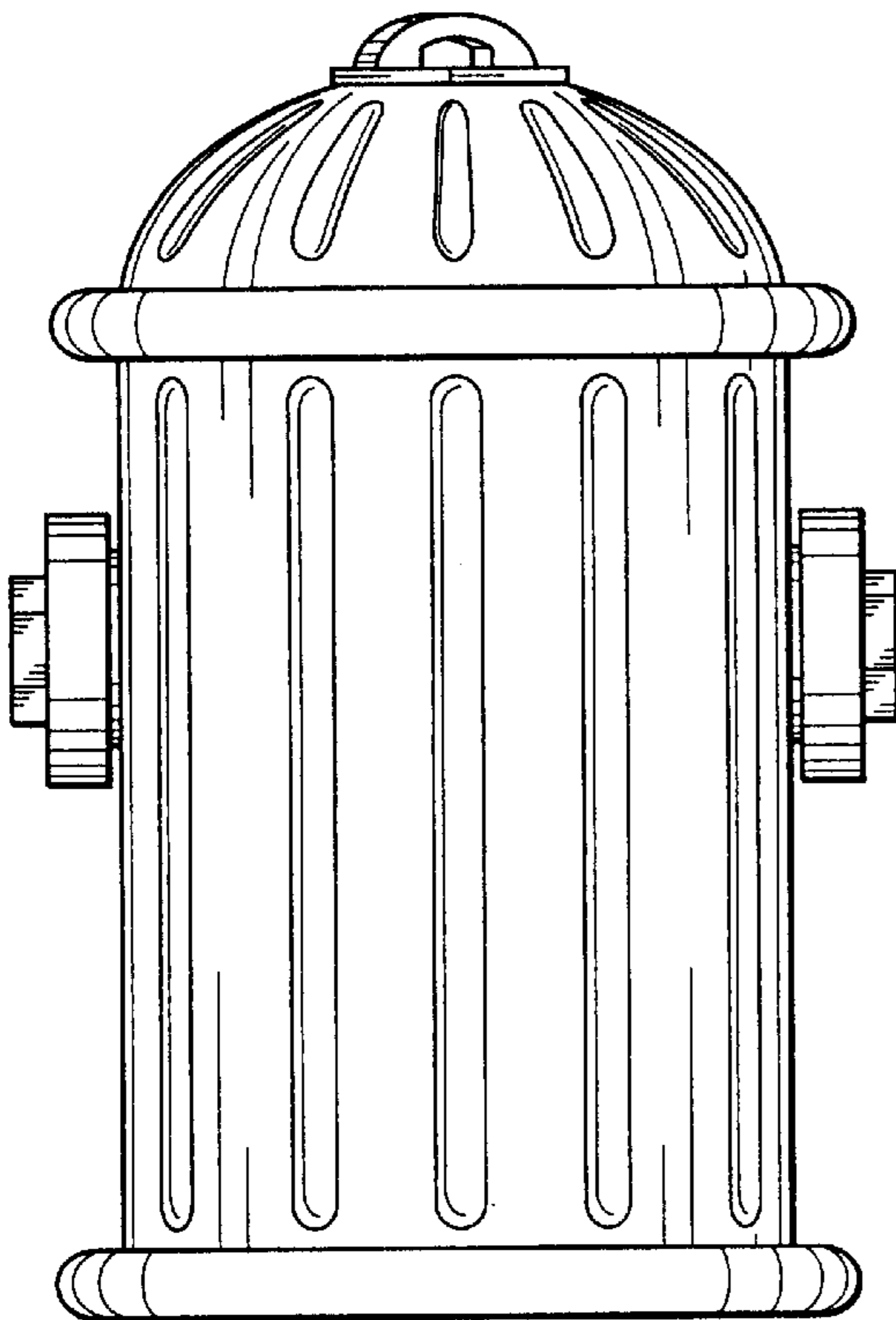


FIG. 3

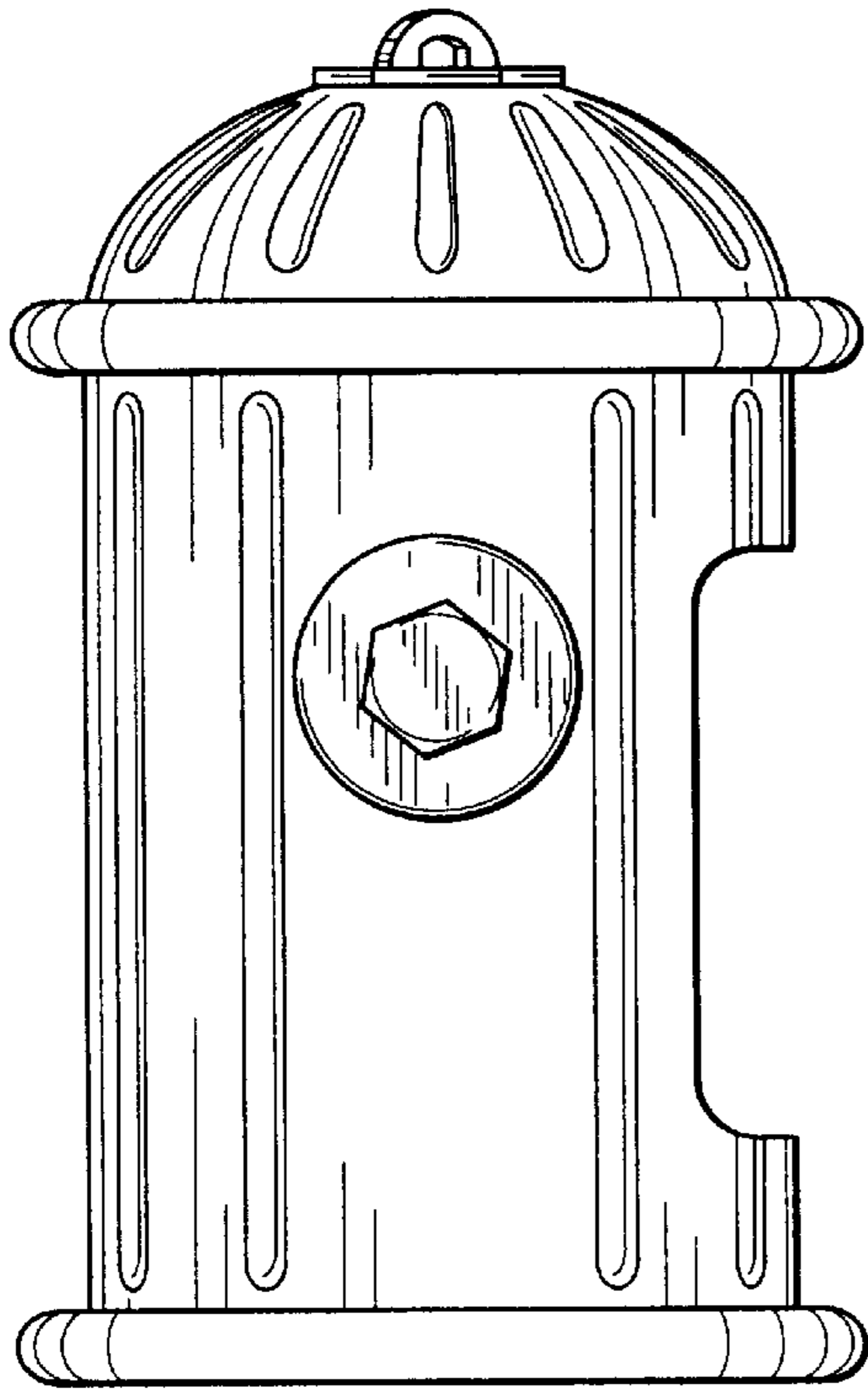


FIG. 4

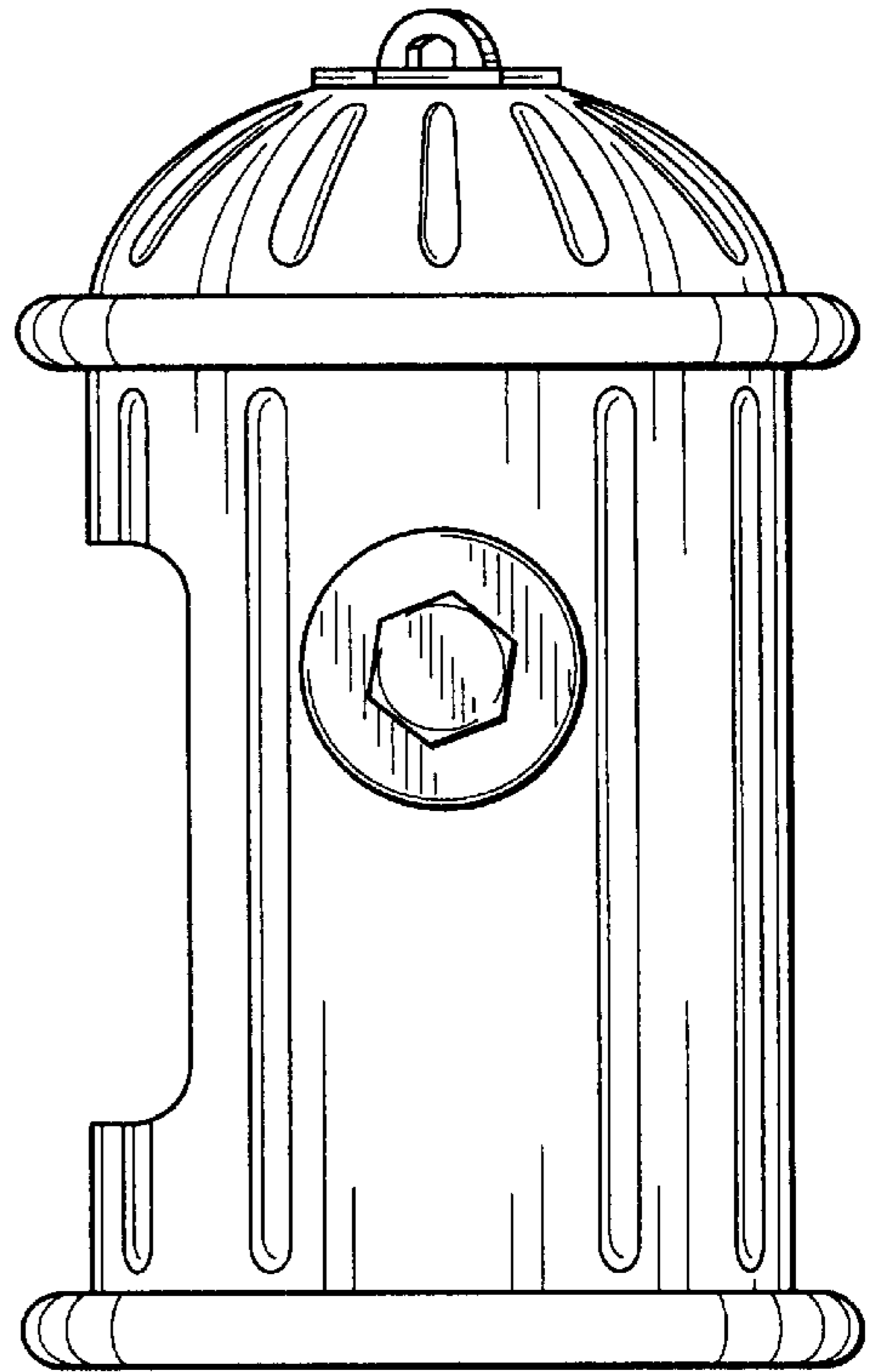


FIG. 5

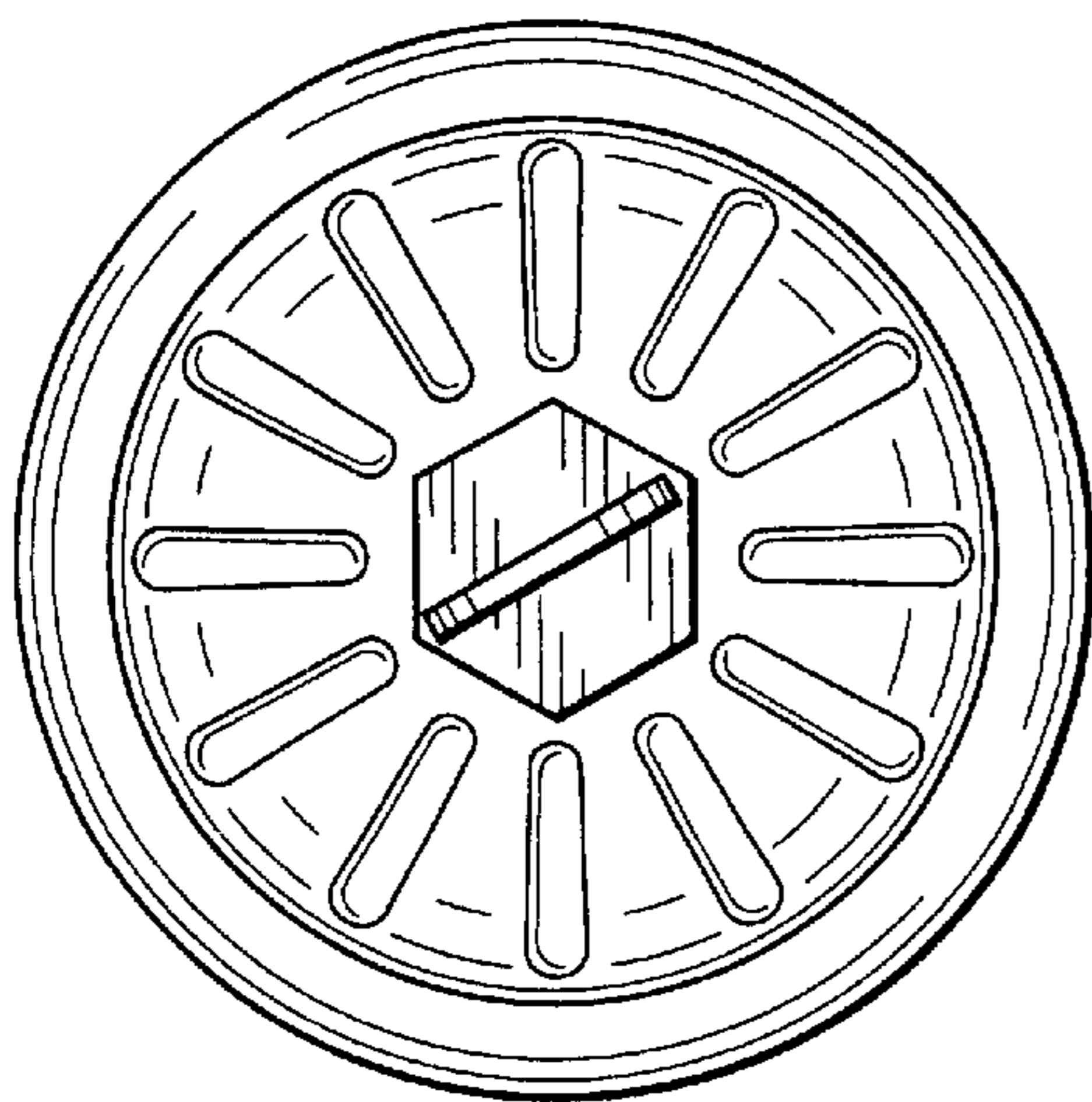


FIG. 6

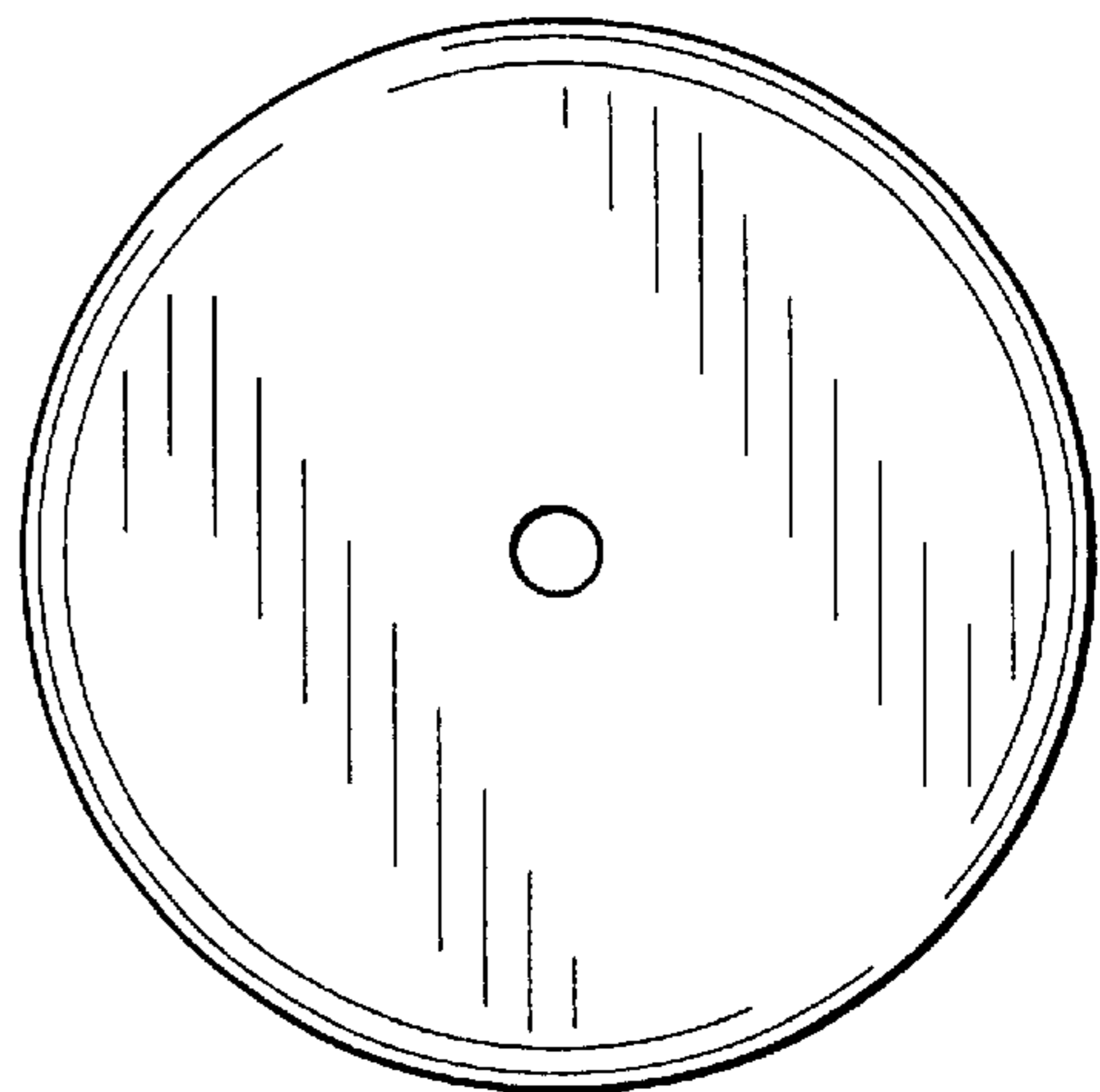


FIG. 7