



US00D480242S

(12) **United States Design Patent**
Taylor

(10) **Patent No.:** **US D480,242 S**

(45) **Date of Patent:** **** Oct. 7, 2003**

(54) **SURFACE PATTERN REPRESENTING A MUSICAL STAVE ON A CHAIR SEAT**

(76) **Inventor:** **Polly Margaret Taylor**, Gravel Head Farm, Downham Common, Little Downham, Ely, Cambs (GB), CB6 2TY

(**) **Term:** **14 Years**

(21) **Appl. No.:** **29/161,360**

(22) **Filed:** **May 29, 2002**

(30) **Foreign Application Priority Data**

Jan. 4, 2002 (GB) 3000457

(51) **LOC (7) Cl.** **06-06**

(52) **U.S. Cl.** **D6/502; D6/358**

(58) **Field of Search** D6/334, 335, 336, D6/358, 369, 370, 379, 380, 500-502; D17/99; 84/471 R, 476, 446; 248/441.1, 443; 297/186, 452.63

(56) **References Cited**

U.S. PATENT DOCUMENTS

145,622 A	*	12/1873	Brown et al.	84/471 R
595,157 A	*	12/1897	Fletcher	84/471 R
692,736 A	*	2/1902	Tinsley	84/471 R
1,433,850 A	*	10/1922	Schnitker	84/476
1,666,382 A	*	4/1928	Hoffmeister	84/471 R
1,754,458 A	*	4/1930	Cash	84/471 R
2,082,432 A	*	6/1937	Von Der Linden	84/471 R
2,164,873 A	*	7/1939	Everson	84/471 R

2,742,810 A	*	4/1956	Kylin et al.	84/471 R
2,770,160 A	*	11/1956	Ulvad	84/471 R
2,946,254 A	*	7/1960	Hauser	84/471 R
D203,109 S	*	12/1965	Barecki et al.	D6/368
4,819,539 A	*	4/1989	Searing	84/476

OTHER PUBLICATIONS

Captain's Chair, #13-3121, p. 119, Pennsylvania House catalog.*

360-CH Arm Chair, p. 10, Pennsylvania House catalog.*

* cited by examiner

Primary Examiner—Doris V. Coles

Assistant Examiner—Mimosa De

(57) **CLAIM**

The ornamental design for a surface pattern representing a musical stave on a chair seat, as shown and described.

DESCRIPTION

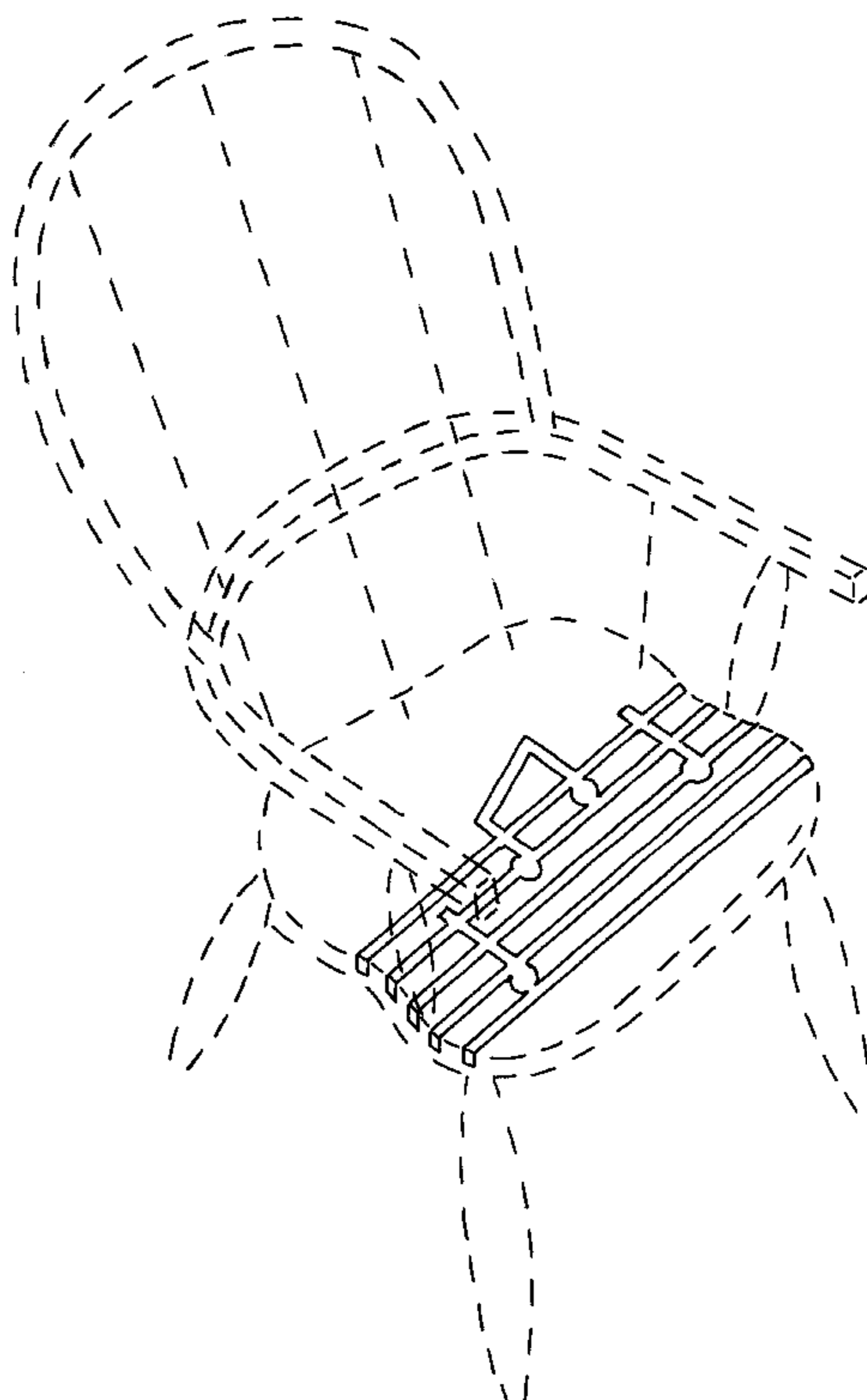
FIG. 1 is a top plan view of a surface pattern representing a musical stave on a chair seat showing my new design.

FIG. 2 is a right side elevational view thereof, the left side being a mirror image.

FIG. 3 is a perspective view of a surface pattern representing a musical stave on a chair seat. The chair shown in broken lines is for illustrative purposes only and forms no part of the claimed design.

The front, rear and underside of the chair seat are unornamented.

1 Claim, 2 Drawing Sheets



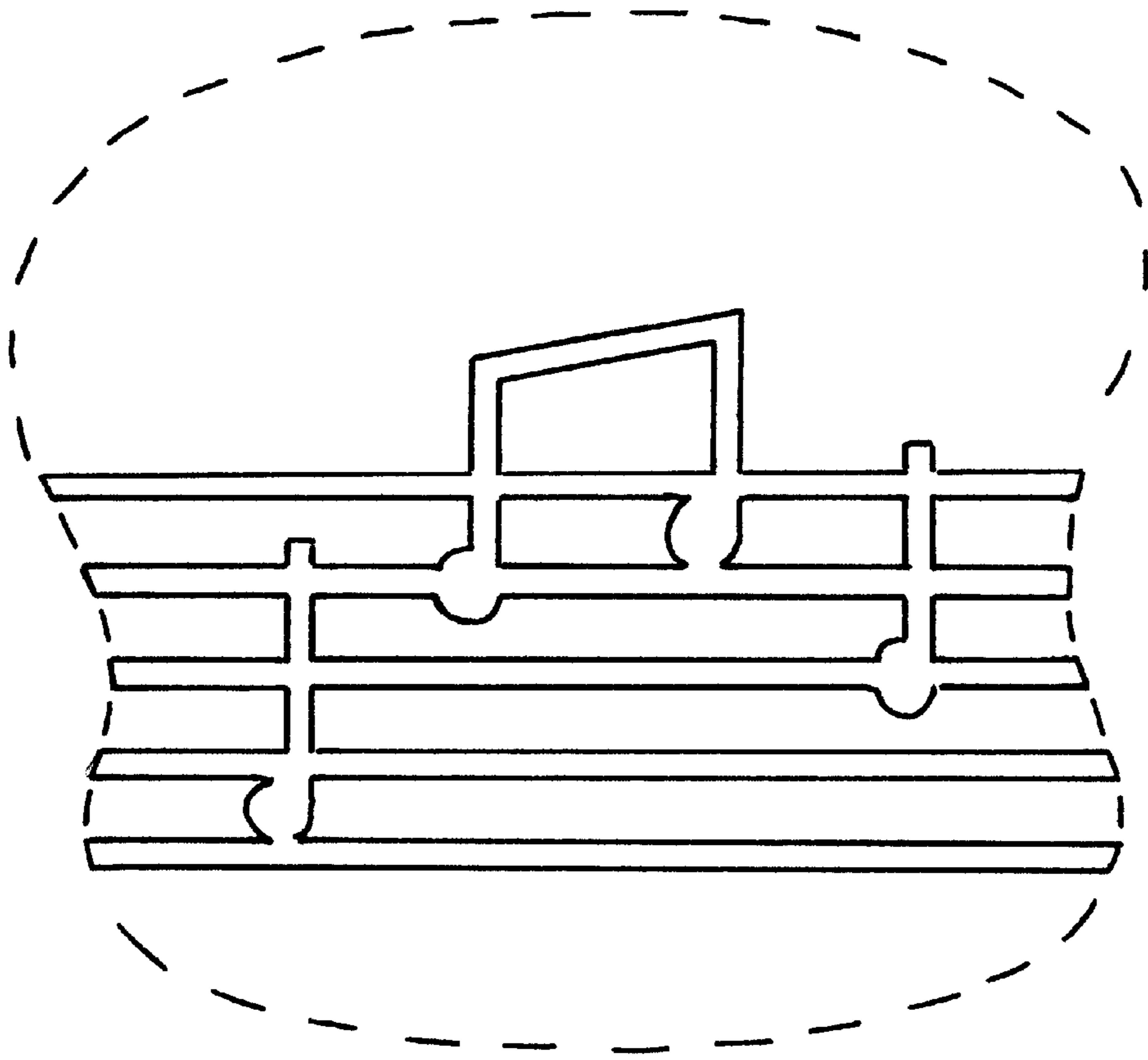


FIG 1



FIG 2

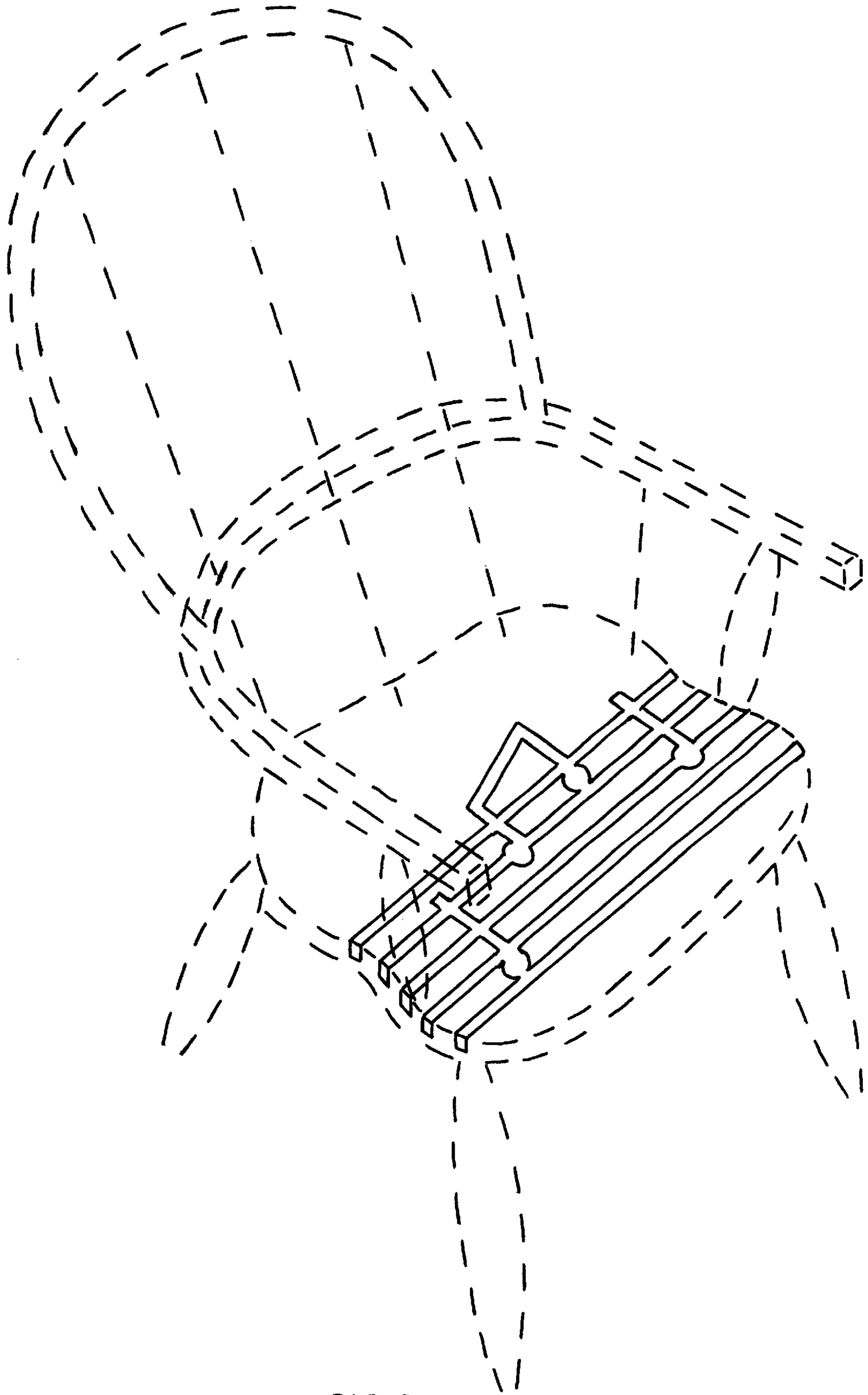


FIG 3