



US00D480241S

(12) **United States Design Patent**
Appelqvist

(10) **Patent No.:** **US D480,241 S**

(45) **Date of Patent:** **** Oct. 7, 2003**

(54) **THIGH SUPPORTING UNIT**

(75) **Inventor:** **Roger Appelqvist, Härryda (SE)**

(73) **Assignee:** **Autoadapt-Bev AB, Boras (SE)**

(**) **Term:** **14 Years**

(21) **Appl. No.:** **29/141,391**

(22) **Filed:** **May 7, 2001**

(30) **Foreign Application Priority Data**

Nov. 16, 2000 (SE) 00-2099

(51) **LOC (7) Cl. 06-06**

(52) **U.S. Cl. D6/500**

(58) **Field of Search** D6/334, 335, 356,
D6/367, 496, 500, 501, 502; 248/349.1,
371, 398, 424, 425, 429, 430; 297/344.21,
344.22, 344.1

(56) **References Cited**

U.S. PATENT DOCUMENTS

3,134,568 A * 5/1964 Carson 248/425

D213,685 S * 4/1969 Barecki D6/356
4,097,016 A * 6/1978 Petrucci 297/344.22
4,822,099 A * 4/1989 Negi et al. 297/344.22
D428,719 S * 8/2000 Fick et al. D6/356

* cited by examiner

Primary Examiner—Doris V. Coles

Assistant Examiner—Mimosa De

(74) *Attorney, Agent, or Firm*—Burns, Doane, Swecker & Mathis, L.L.P.

(57) **CLAIM**

The ornamental design for a thigh supporting unit, as shown and described.

DESCRIPTION

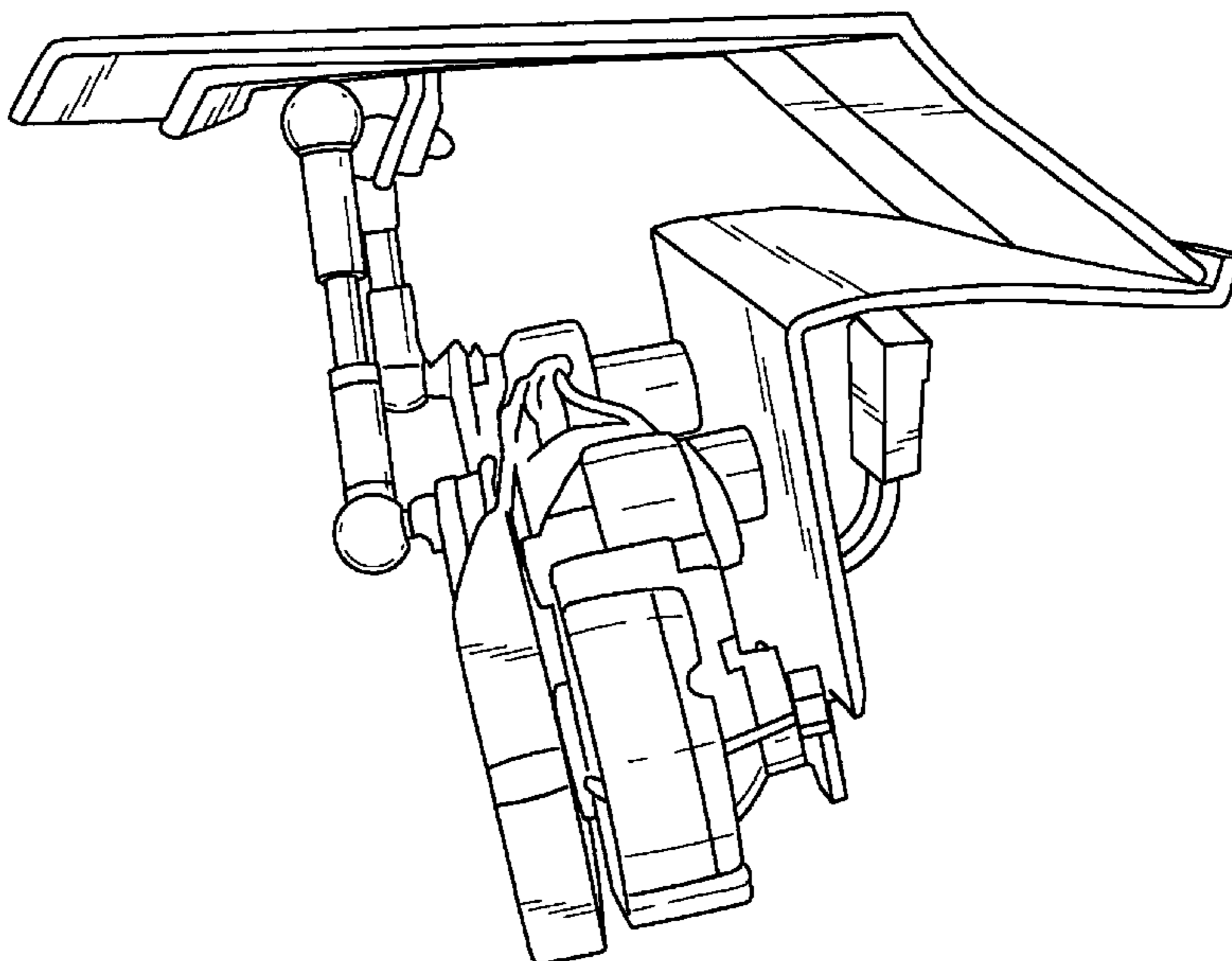
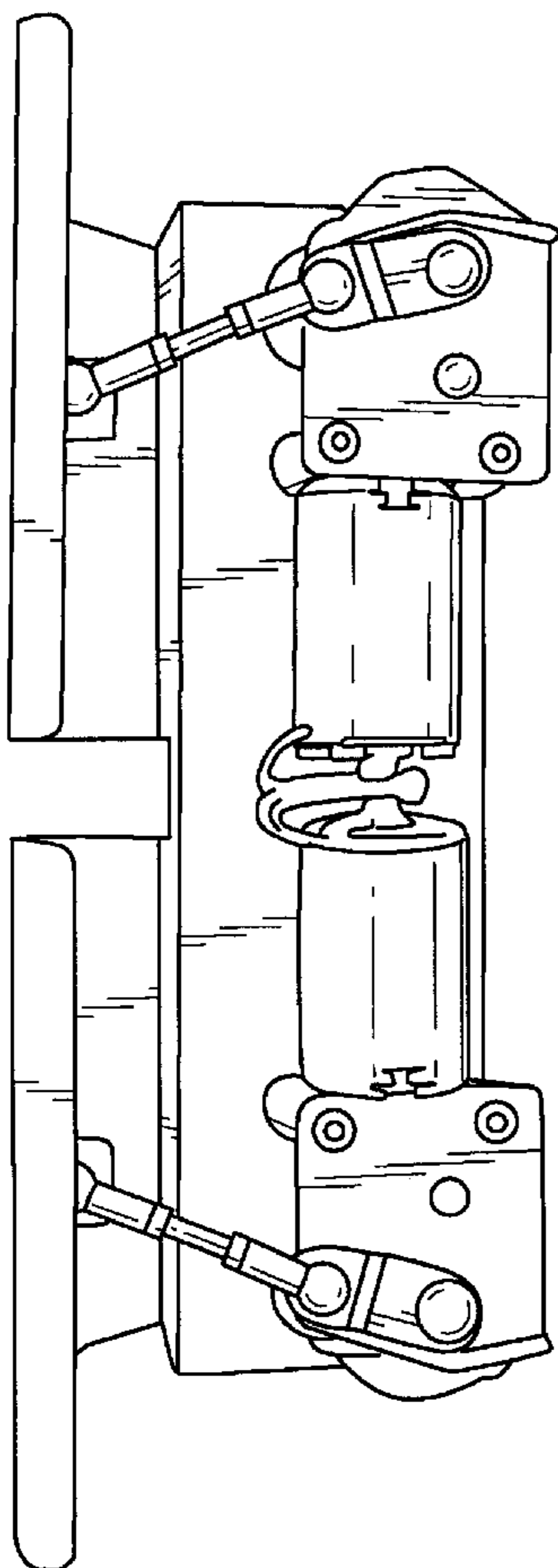
FIG. 1 is a front perspective view of a thigh supporting unit showing my new design;

FIG. 2 is a side perspective view thereof;

FIG. 3 is a bottom view thereof; and,

FIG. 4 is a top view thereof.

1 Claim, 4 Drawing Sheets



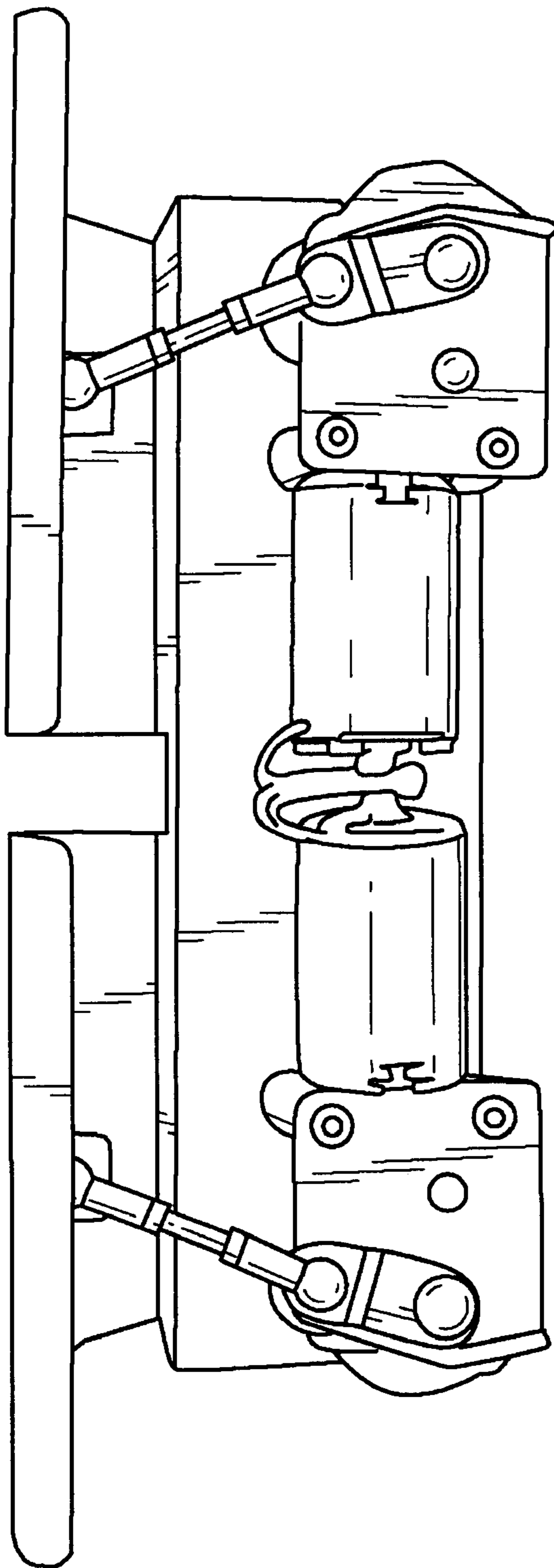


FIG. 1

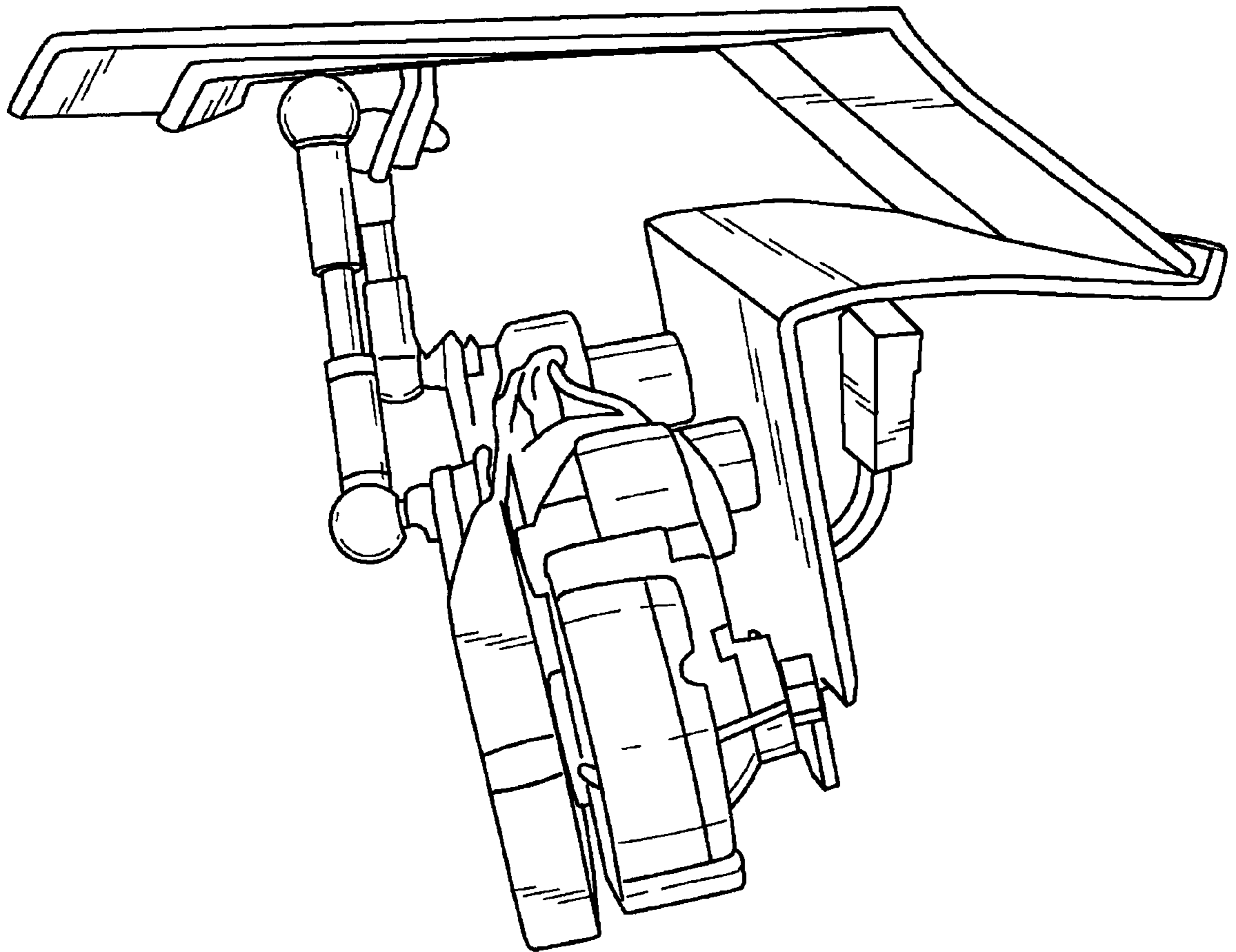


FIG. 2

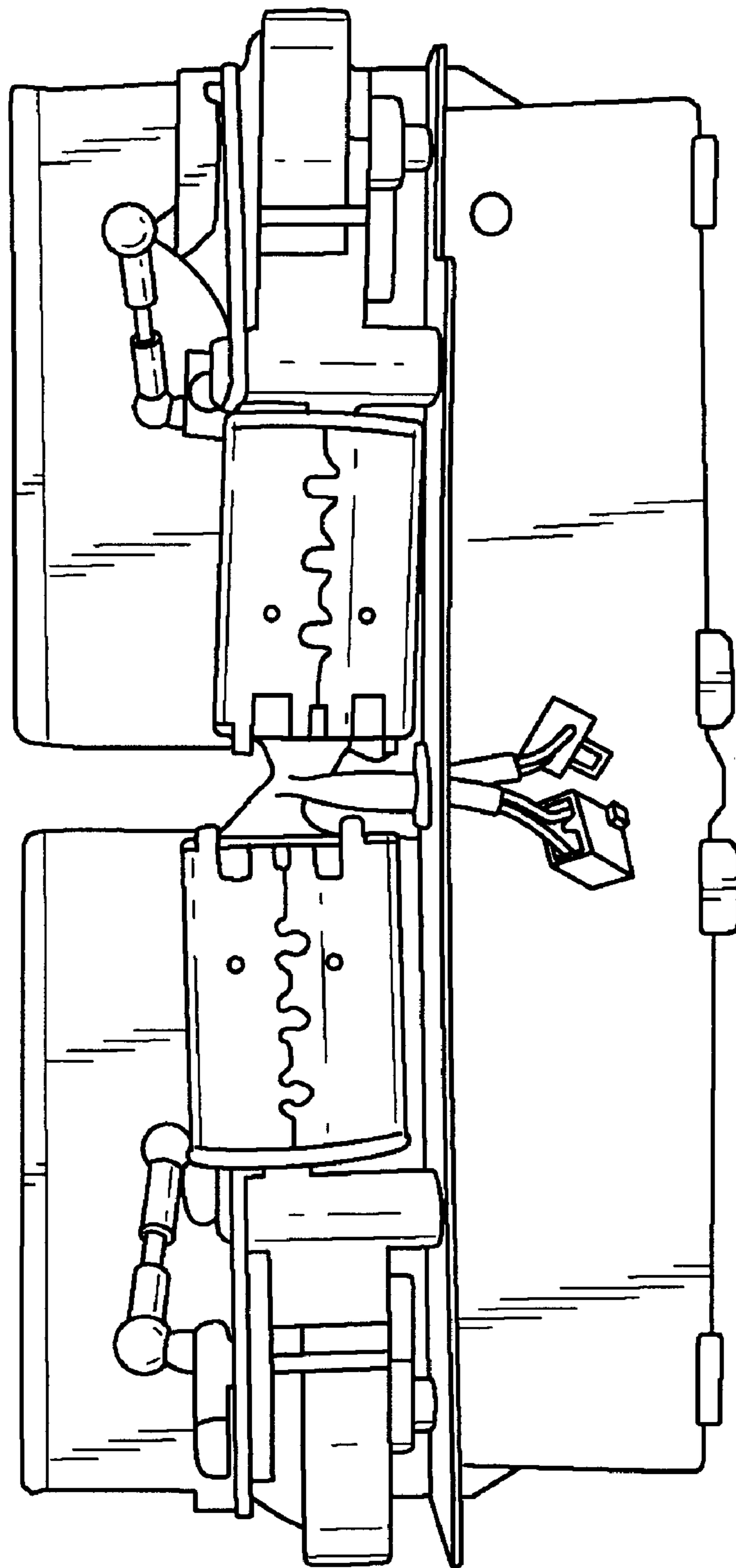


FIG. 3

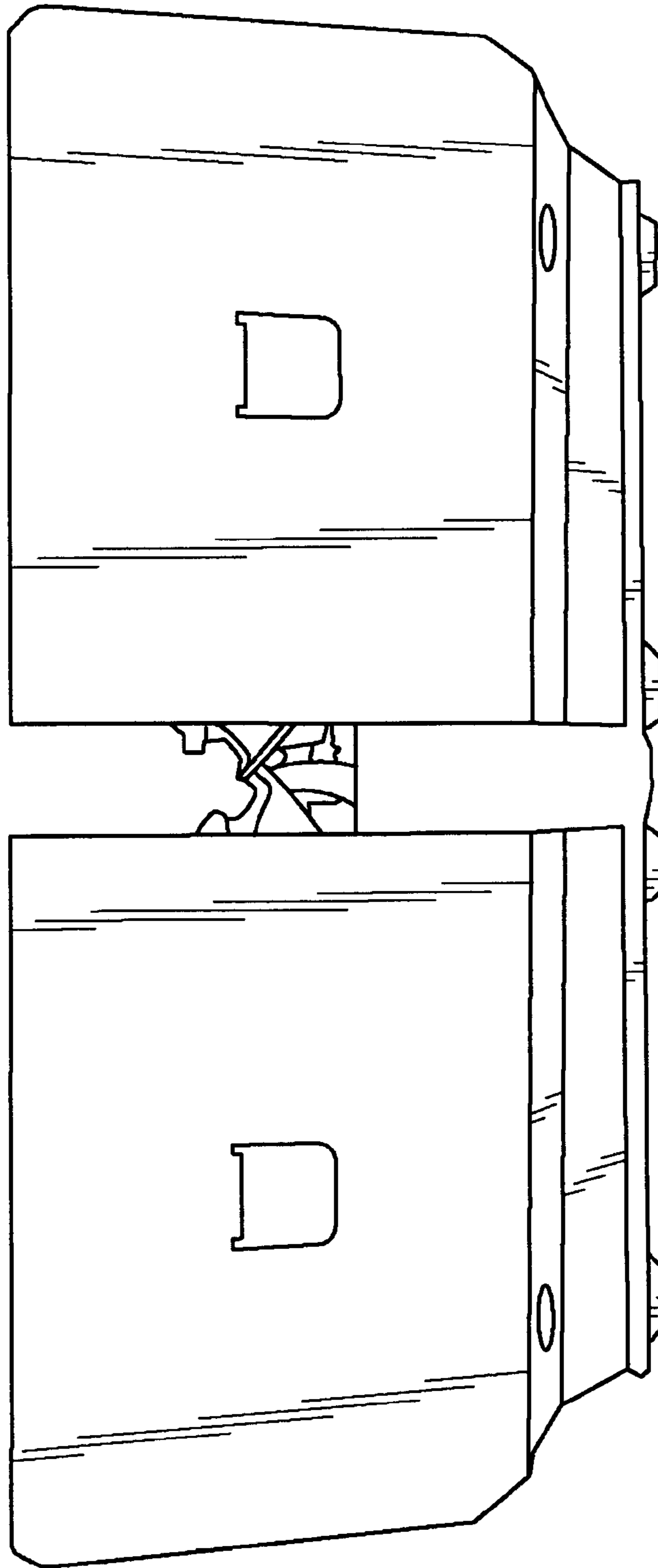


FIG. 4