



US00D480240S

(12) **United States Design Patent**
Wang

(10) **Patent No.:** **US D480,240 S**

(45) **Date of Patent:** **** Oct. 7, 2003**

(54) **SIDE PLATE OF A COMPUTER DESK**

D471,030 S * 3/2003 Chang D6/423

(76) Inventor: **Chih-Wei Wang**, 58, Ma Yuan West St., Taichung (TW)

* cited by examiner

Primary Examiner—Janice E. Seeger

(**) Term: **14 Years**

(57) **CLAIM**

(21) Appl. No.: **29/172,548**

The ornamental design for a side plate of a computer desk, as shown and described.

(22) Filed: **Dec. 11, 2002**

DESCRIPTION

(51) **LOC (7) Cl.** **06-06**

(52) **U.S. Cl.** **D6/495**

(58) **Field of Search** D6/480-489, 495-499, D6/422-428; 108/50.01, 50.02; 312/194-196, 204, 208.1, 208.2, 208.4, 239; 248/188, 188.1, 188.8

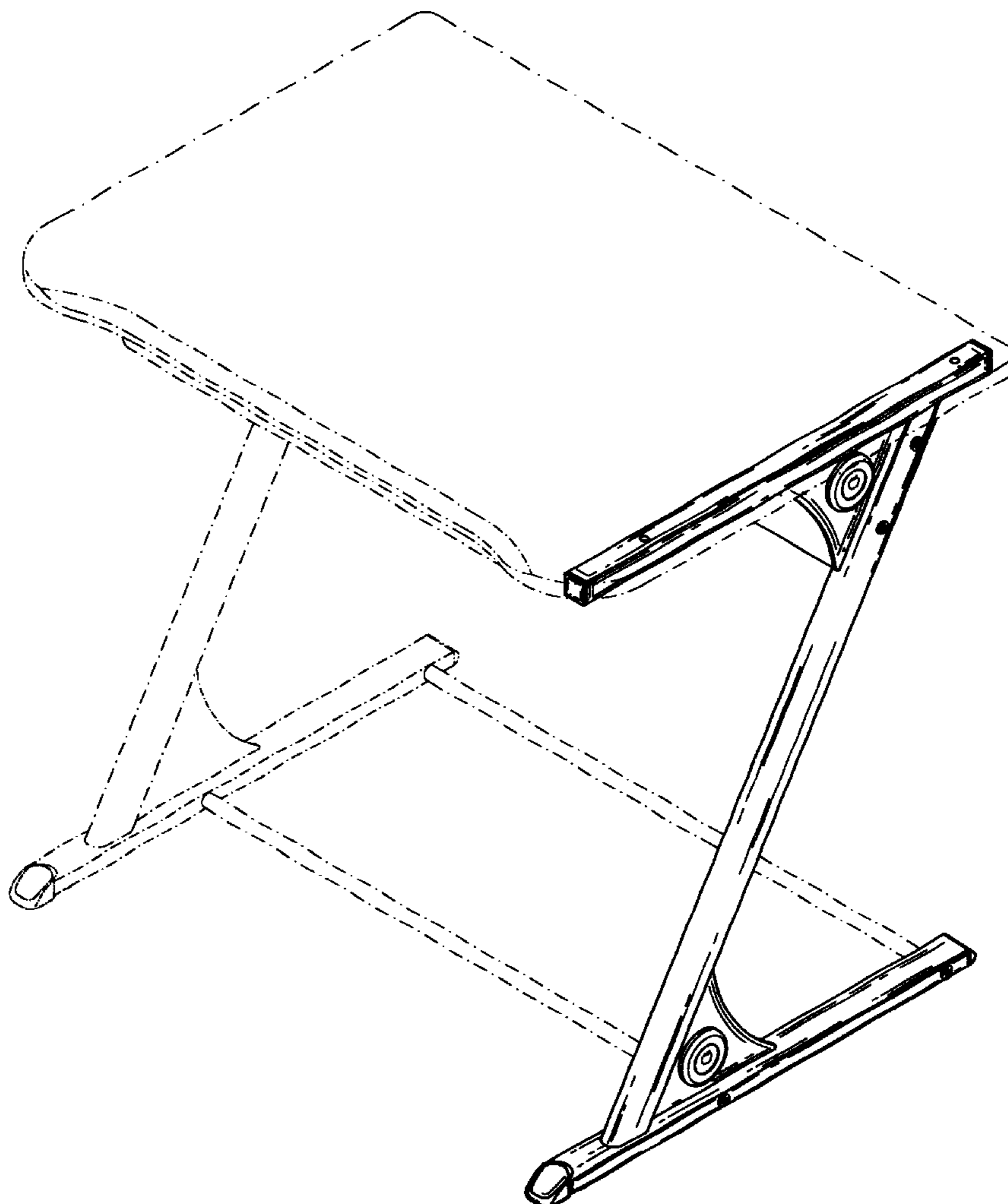
FIG. 1 is a front elevational view of a side plate of a computer desk showing my new design; FIG. 2 is a rear elevational view thereof; FIG. 3 is a left side elevational view thereof; FIG. 4 is a right side elevational view thereof; FIG. 5 is a top plan view thereof; FIG. 6 is a bottom plan view thereof; FIG. 7 is a perspective view thereof; and, FIG. 8 is a perspective view; the broken lines are for environmental purposes only and form no part of the claimed design.

(56) **References Cited**

U.S. PATENT DOCUMENTS

- D226,255 S * 2/1973 Williamson D6/495
- 5,845,586 A * 12/1998 Moore 108/50.01
- 5,967,631 A * 10/1999 Ko 312/194

1 Claim, 6 Drawing Sheets



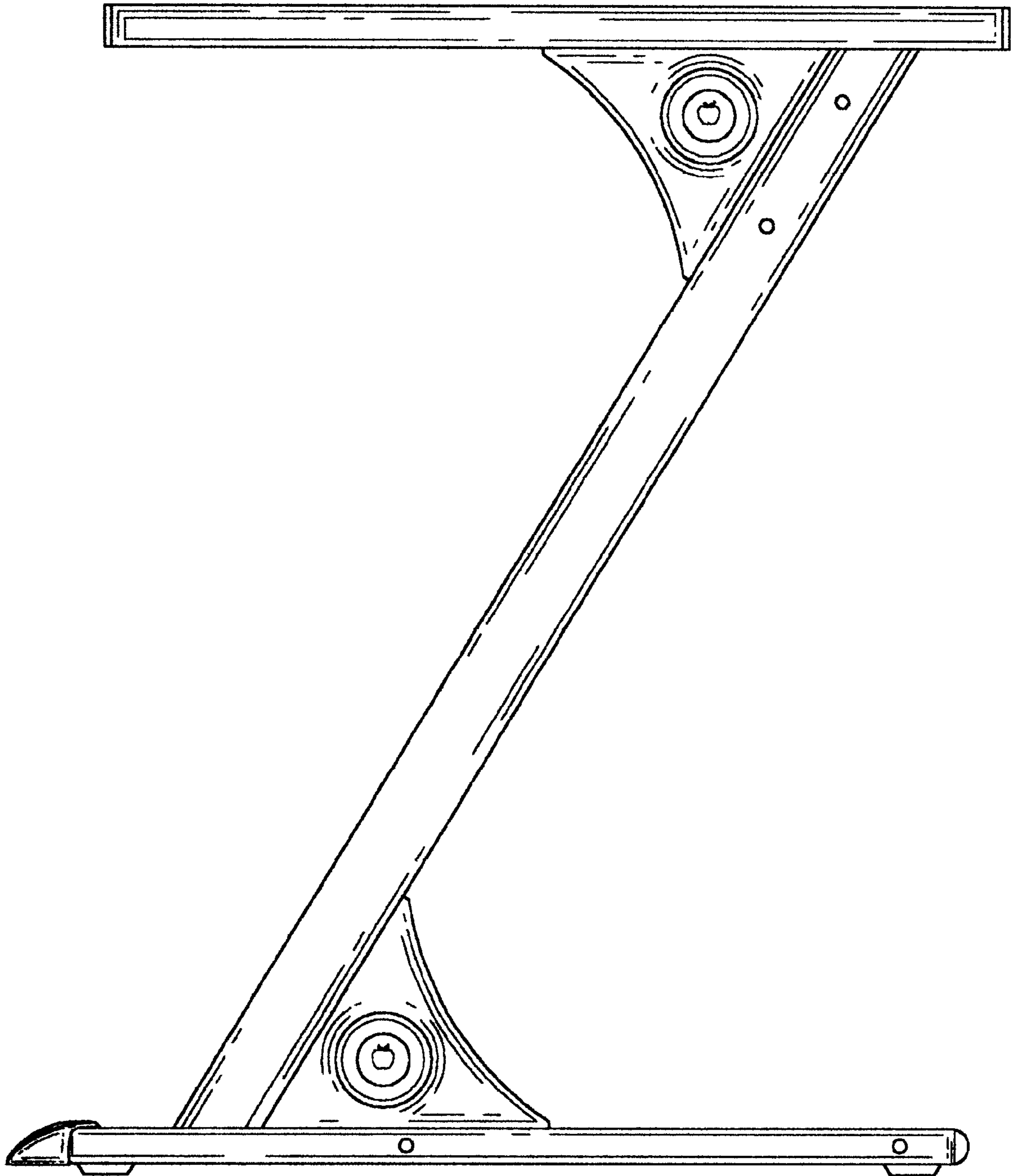


FIG. 1

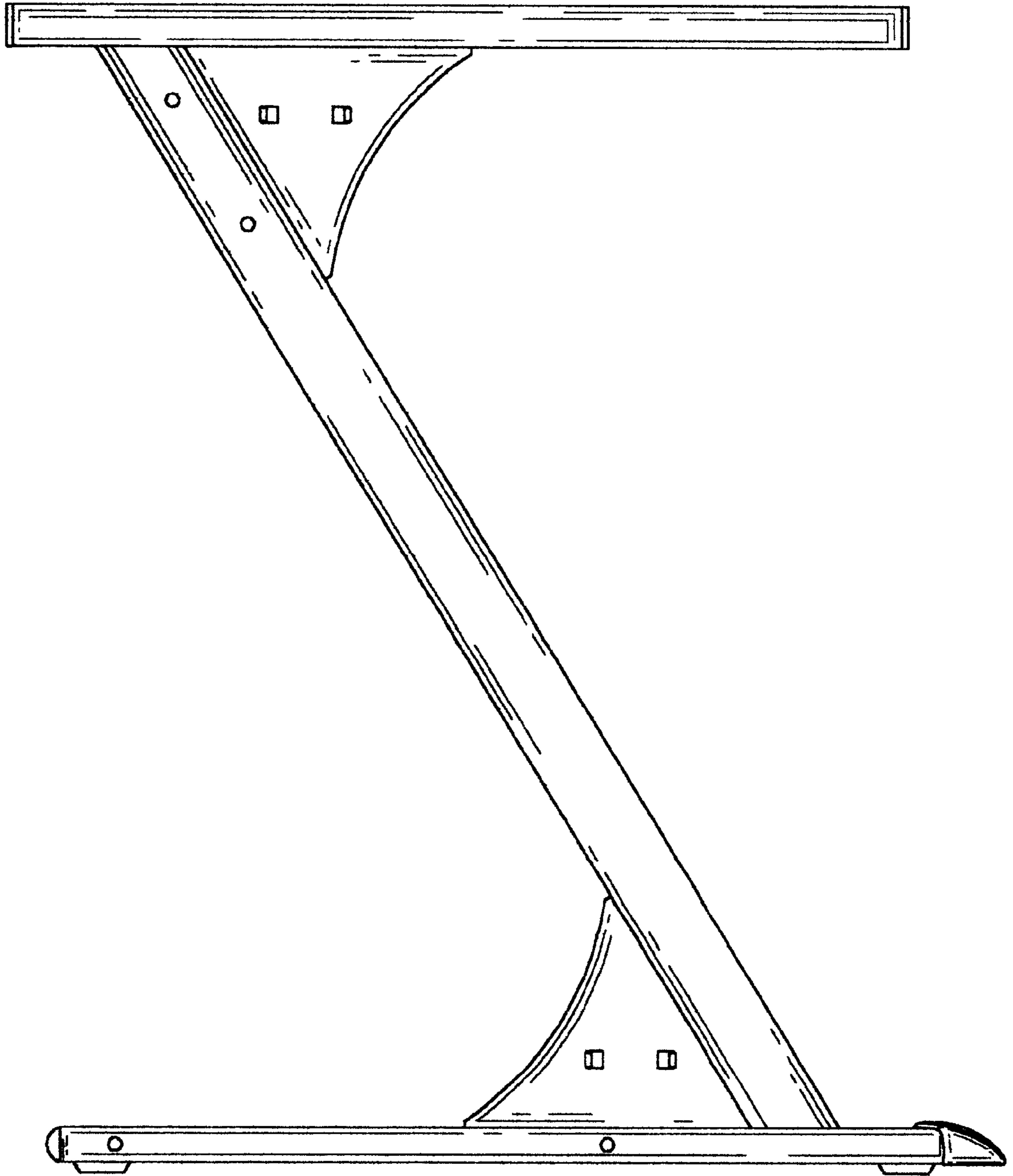


FIG. 2

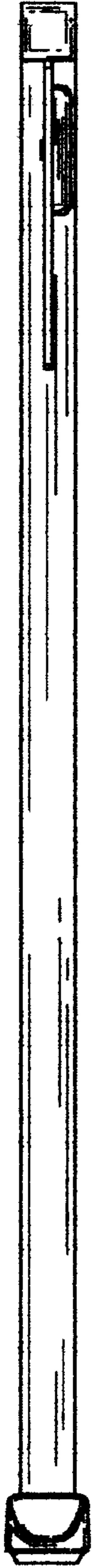


FIG. 3

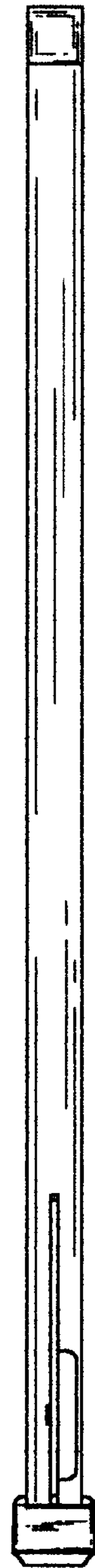


FIG. 4

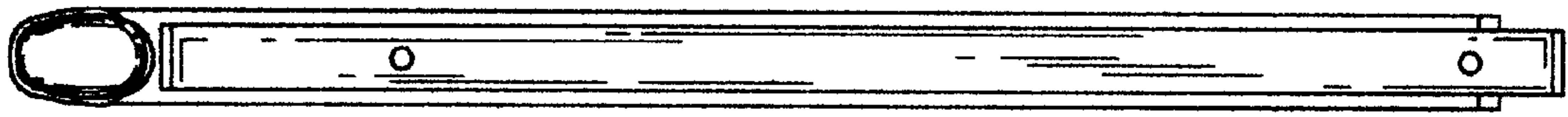


FIG. 5

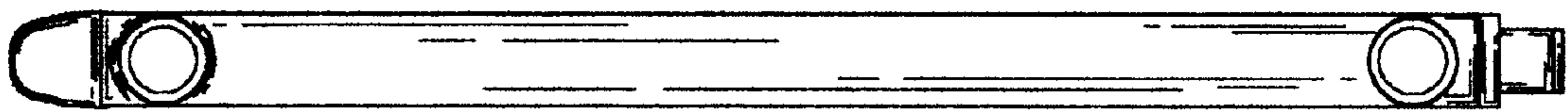


FIG. 6

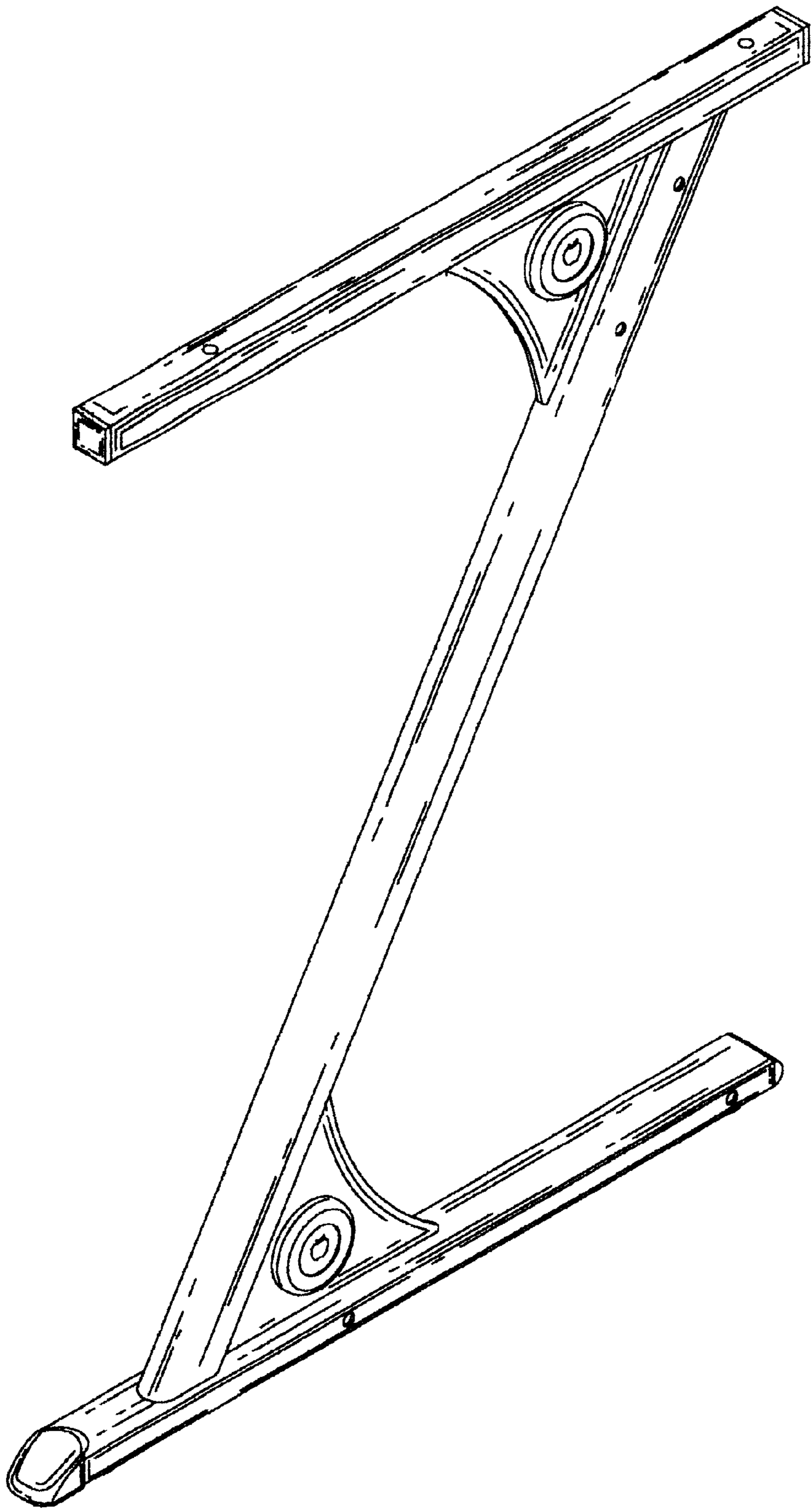


FIG. 7

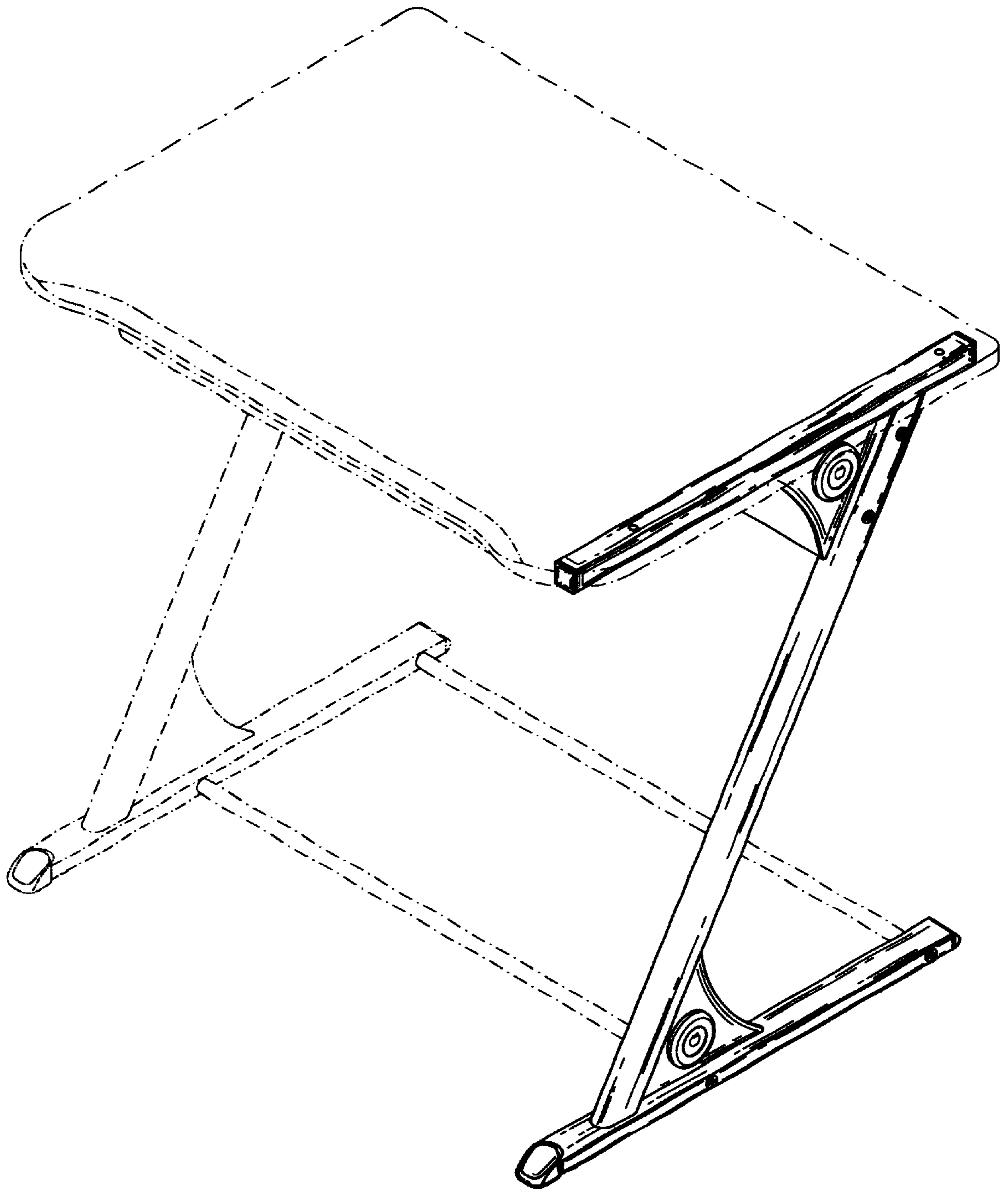


FIG. 8