



US00D480239S

(12) **United States Design Patent**
Risdall

(10) **Patent No.:** **US D480,239 S**

(45) **Date of Patent:** **** Oct. 7, 2003**

(54) **FURNITURE LEG SUPPORT APPARATUS WITH A PROJECTION FOR SUSPENDING A SEPARATE ARTICLE**

(75) **Inventor:** **Charles A. Risdall, Dallas, TX (US)**

(73) **Assignee:** **Smith System Manufacturing Company, Plano, TX (US)**

(**) **Term:** **14 Years**

(21) **Appl. No.:** **29/167,465**

(22) **Filed:** **Sep. 13, 2002**

(51) **LOC (7) Cl.** **06-01**

(52) **U.S. Cl.** **D6/495; D6/499**

(58) **Field of Search** D6/480-489, 495-499, D6/423, 422; 108/50.01, 50.02, 30; 312/194-196; 248/188, 188.1, 188.8, 304, 303

(56) **References Cited**

U.S. PATENT DOCUMENTS

- 2,973,982 A * 3/1961 Elting et al. 248/188
- 3,620,492 A * 11/1971 Jennings 248/188
- 3,636,894 A * 1/1972 Hage 108/156
- D227,515 S * 6/1973 Mergens D6/495
- D293,204 S * 12/1987 Trubiano 248/303 X
- 5,836,646 A 11/1998 Salehi et al.
- 5,961,181 A 10/1999 Salehi et al.

6,508,184 B1 * 1/2003 Winter et al. 108/125

* cited by examiner

Primary Examiner—Janice E. Seeger

(74) *Attorney, Agent, or Firm*—Thompson Coburn, LLP

(57) **CLAIM**

The ornamental design for a furniture leg support apparatus with a projection for suspending a separate article, as shown and described.

DESCRIPTION

FIG. 1 is a perspective view of the front of the “furniture leg support apparatus with projection for suspending a separate article”;

FIG. 2 is a side perspective view of the apparatus;

FIG. 3 is a front elevation view of the apparatus;

FIG. 4 is a rear elevation view of the apparatus;

FIG. 5 is a left side elevation view of the apparatus, the right side elevation view being a mirror image thereof;

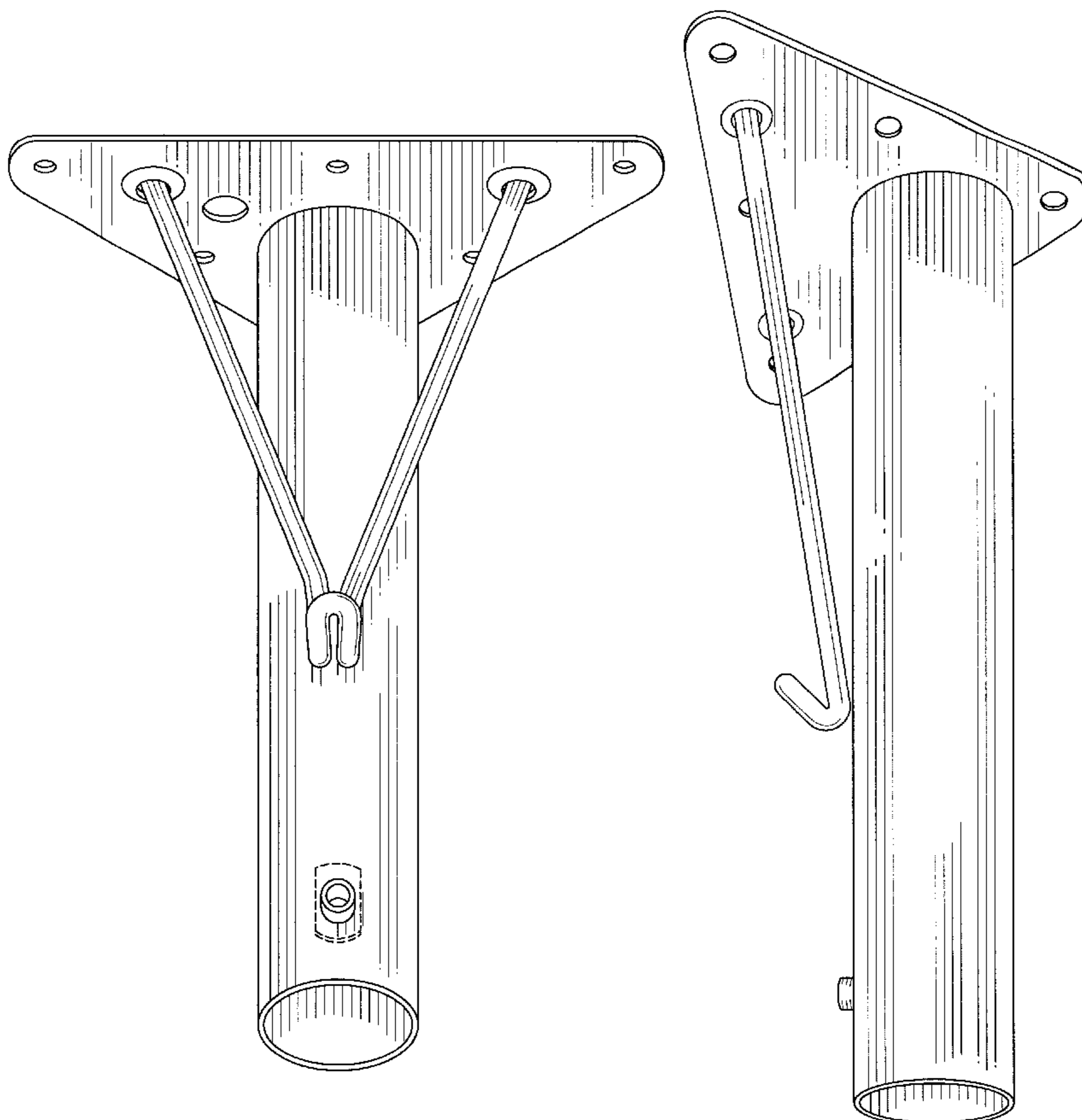
FIG. 6 is a top plan view of the apparatus;

FIG. 7 is a bottom plan view of the apparatus; and,

FIG. 8 is a side elevation view of the apparatus employed in attaching furniture leg segments to a tabletop with the leg segments and tabletop shown in dashed lines.

The broken lines are for environmental purposes only and forms no part of the claimed design.

1 Claim, 8 Drawing Sheets



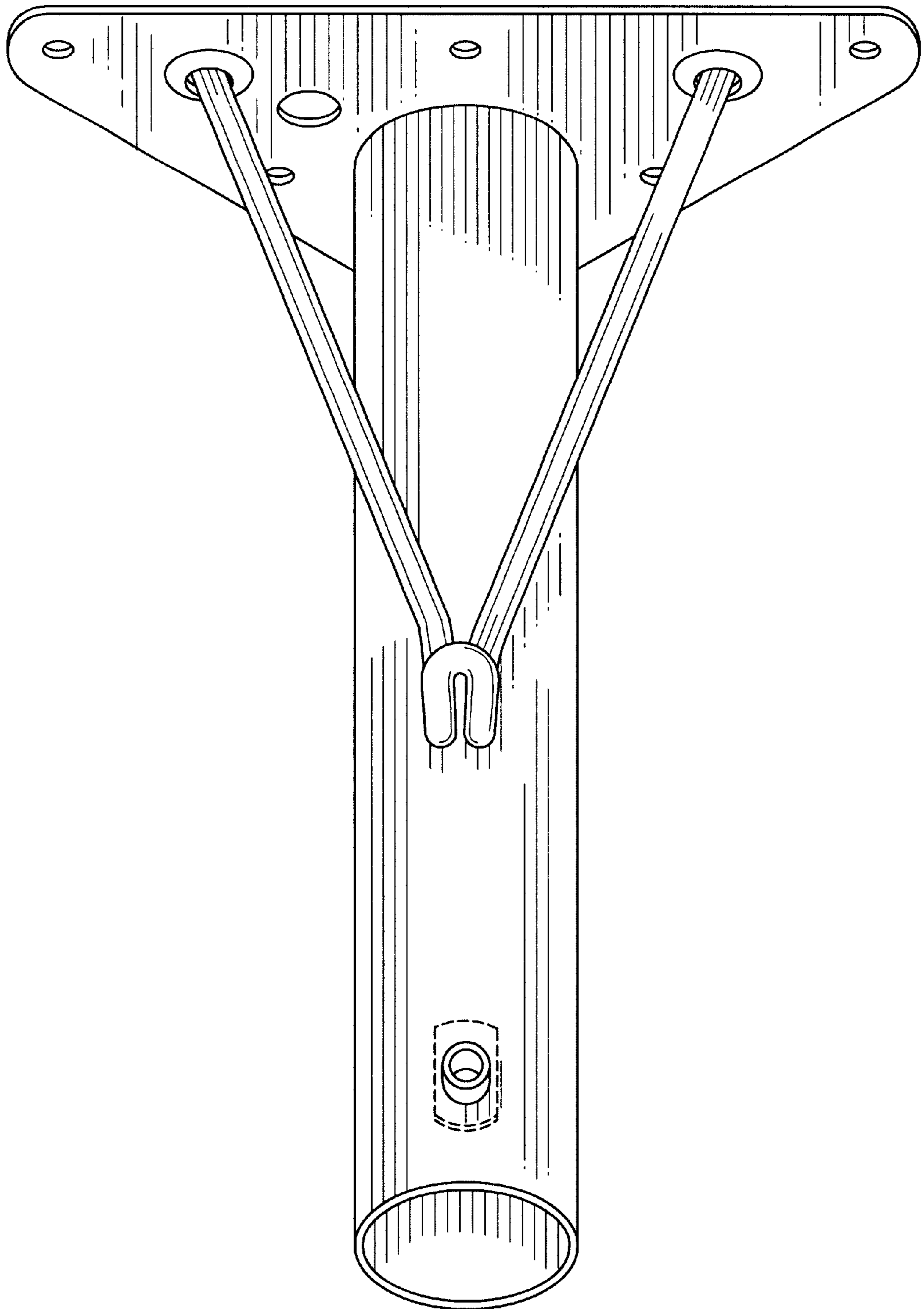


Fig. 1

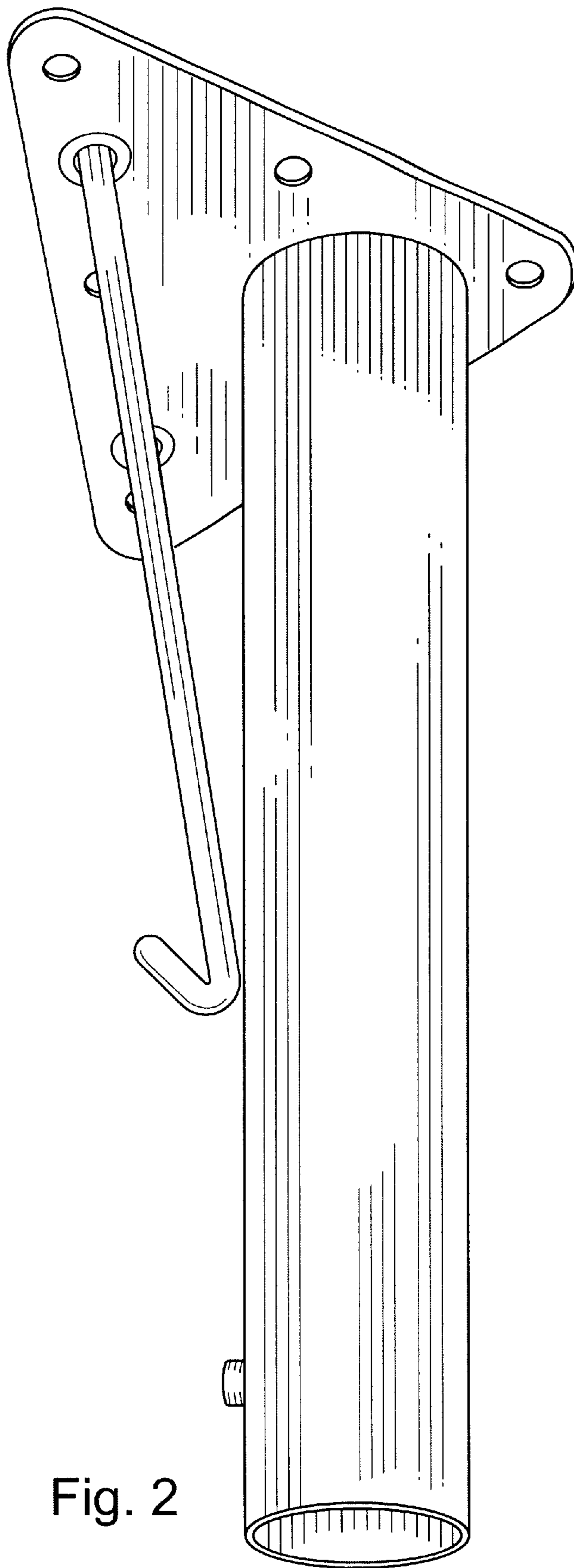


Fig. 2

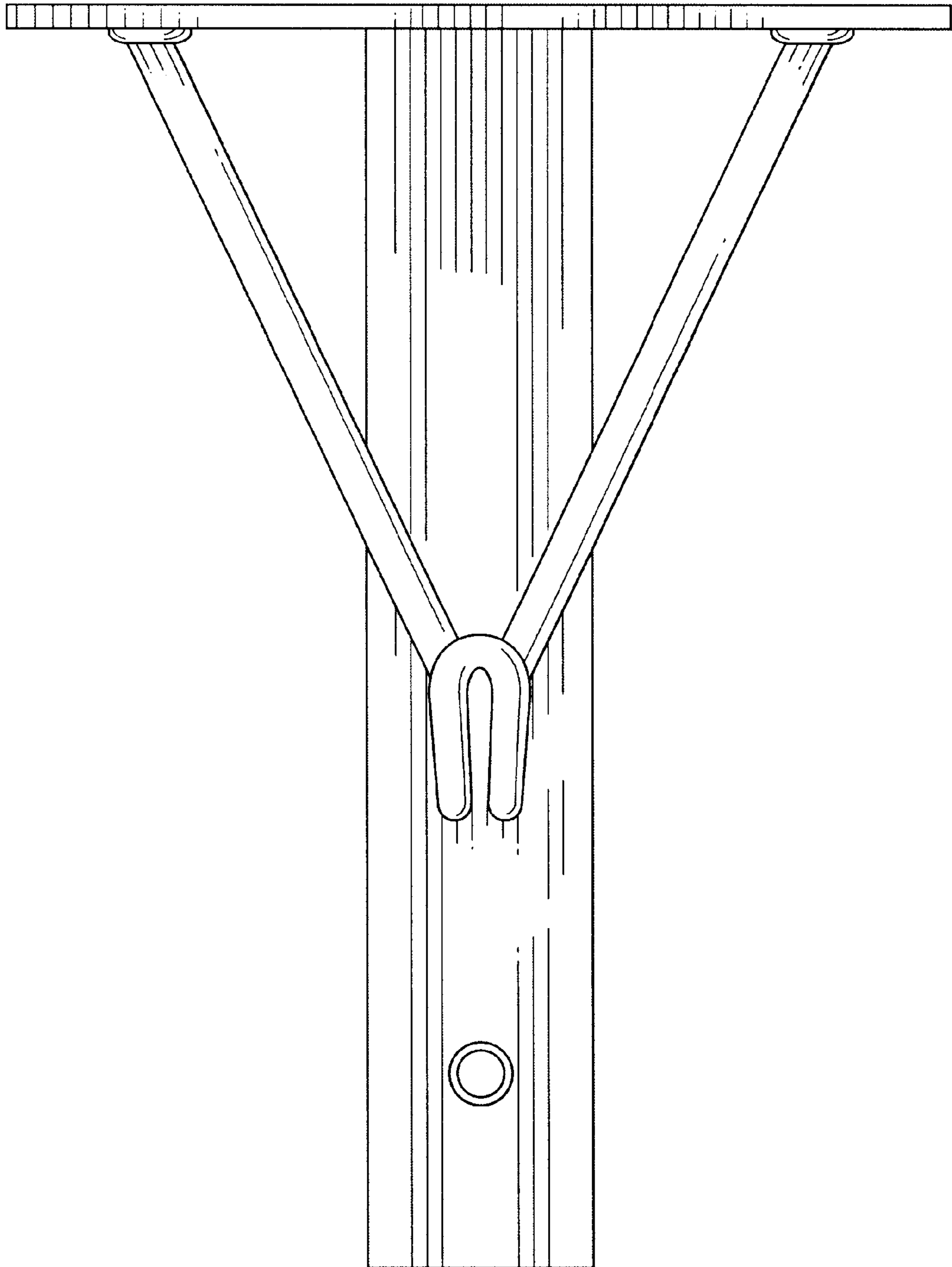


Fig. 3

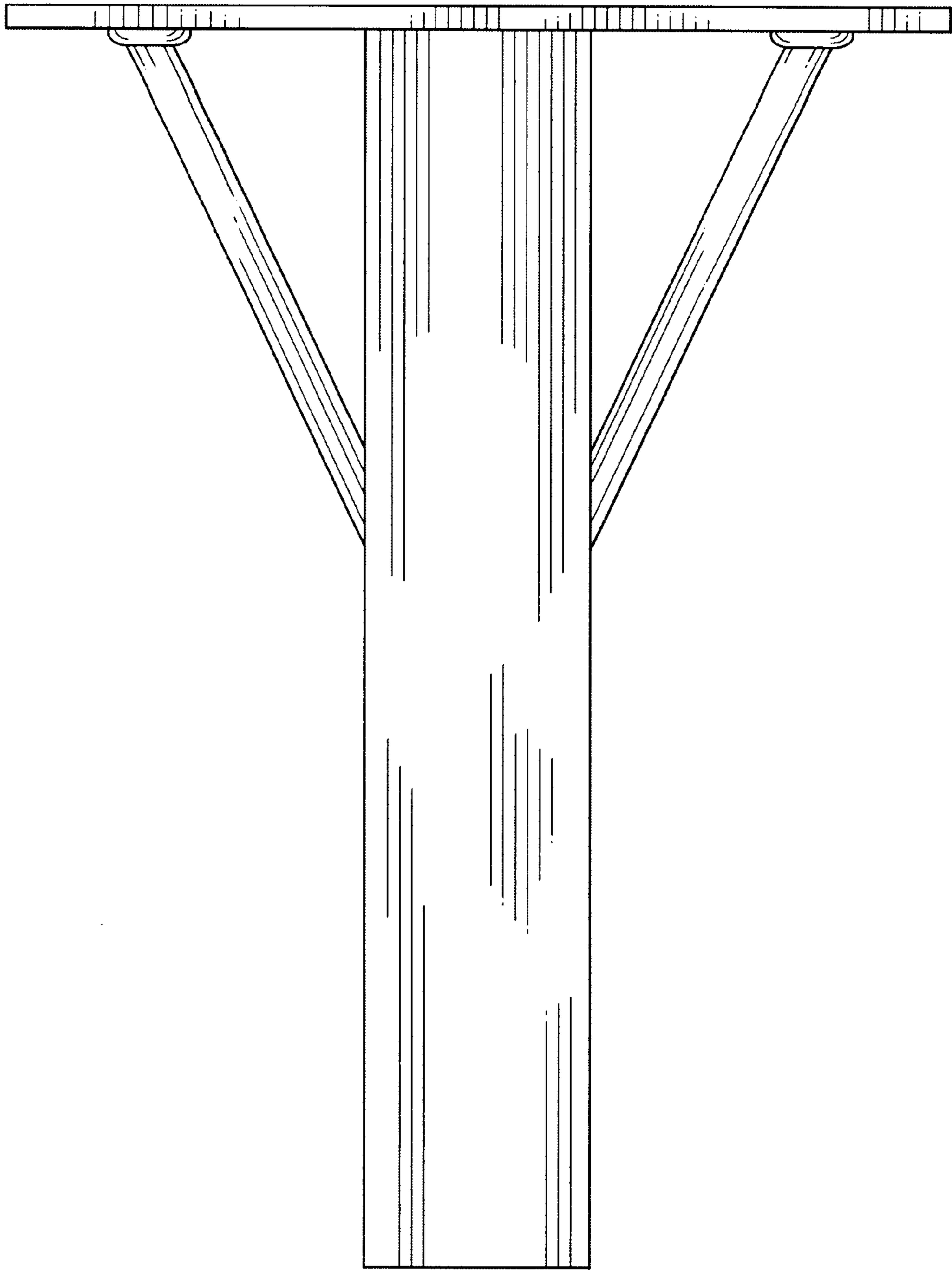


Fig. 4

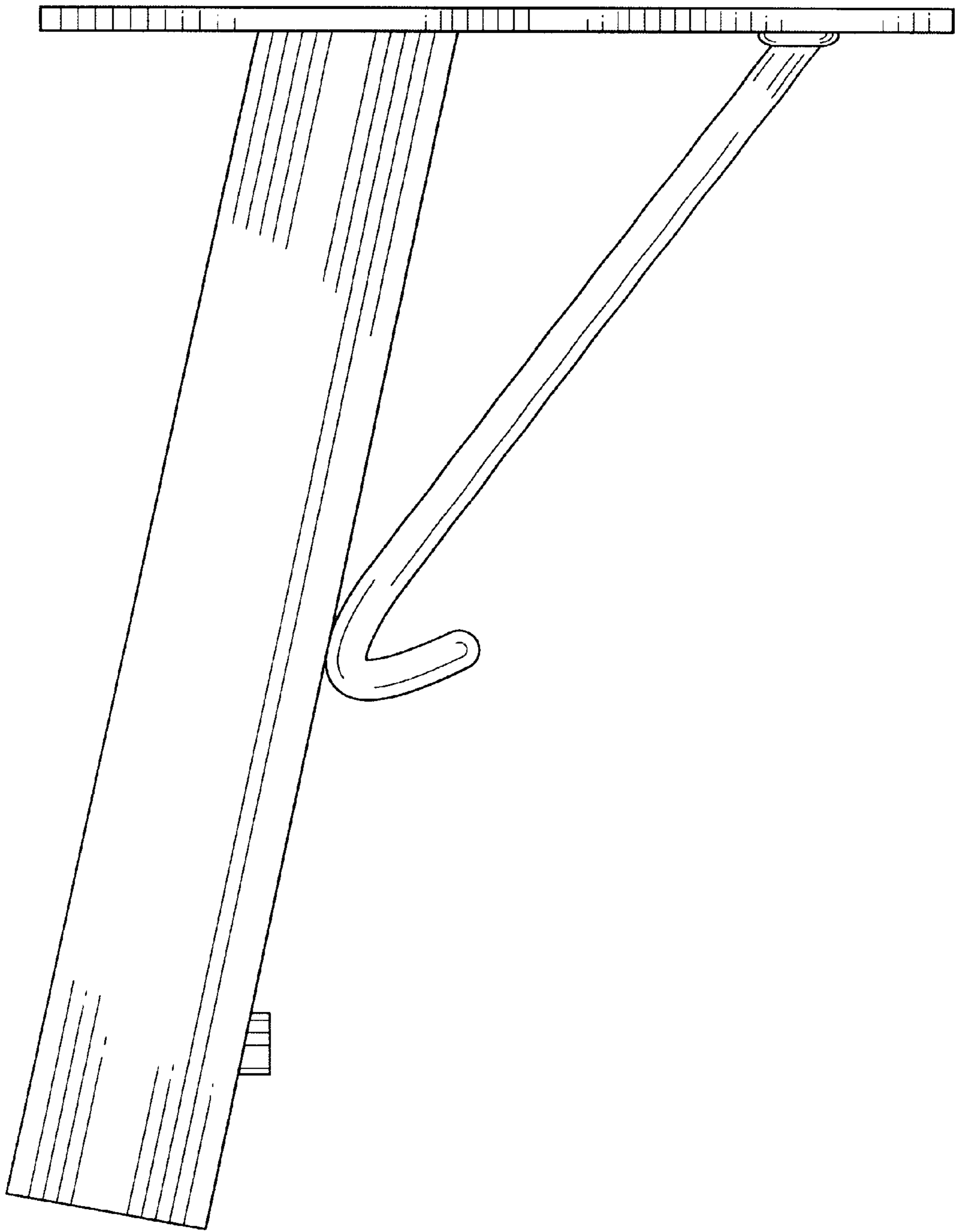


Fig. 5

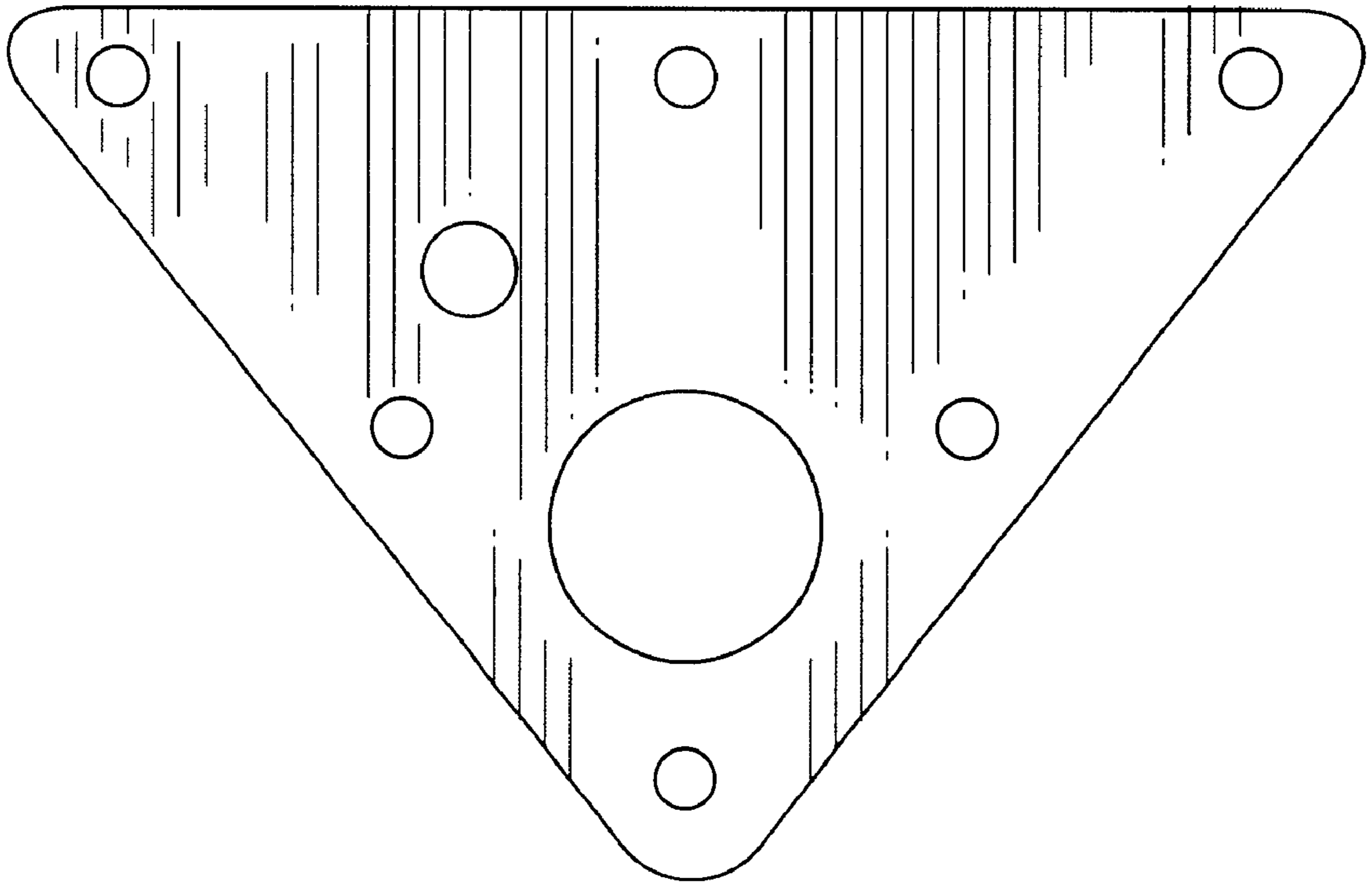


Fig. 6

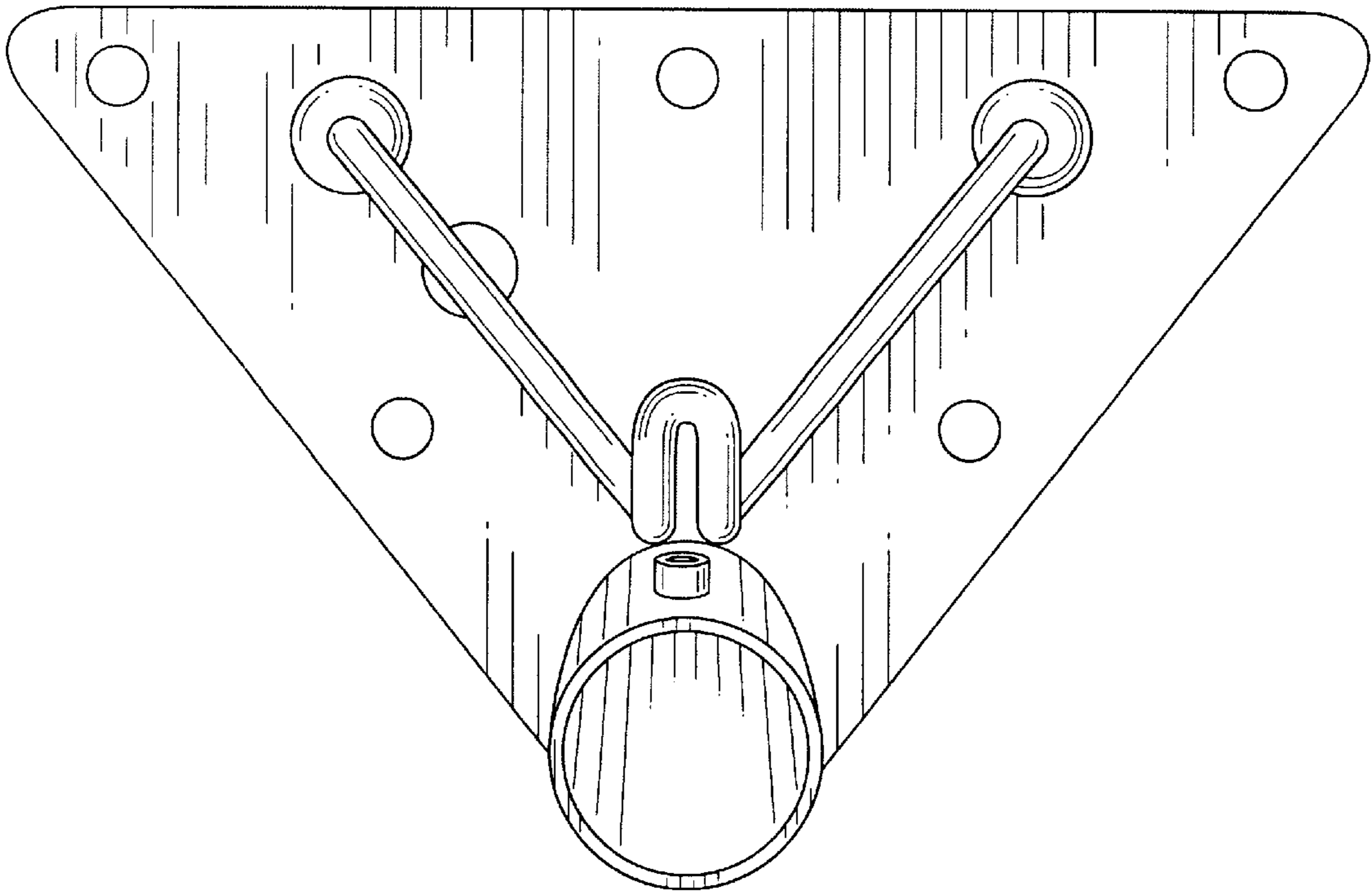


Fig. 7

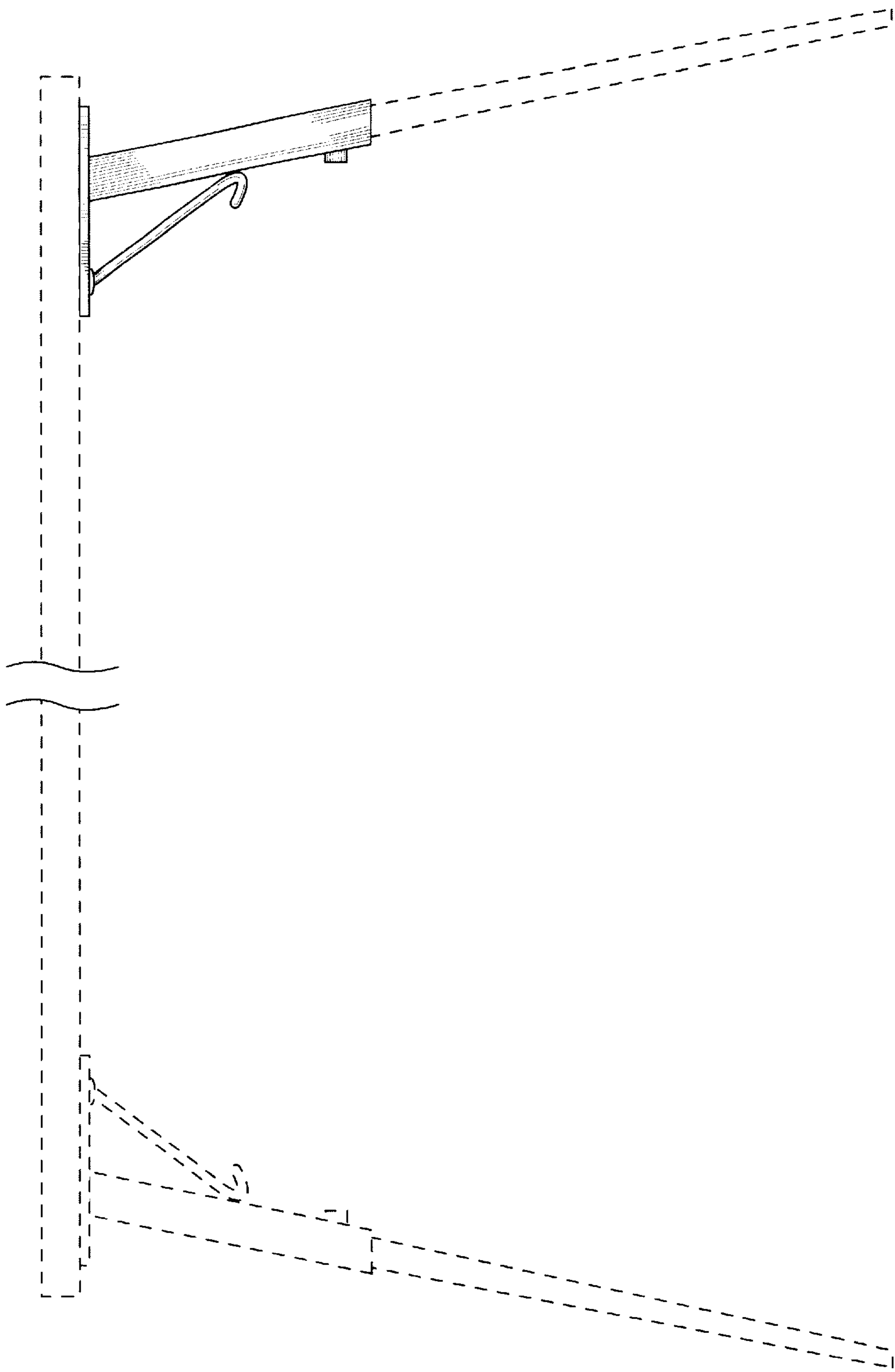


Fig. 8