



US00D480237S

(12) **United States Design Patent**
de Carolis

(10) **Patent No.:** **US D480,237 S**

(45) **Date of Patent:** **** Oct. 7, 2003**

(54) **ADJUSTABLE TELEVISION SUPPORT SYSTEM**

Primary Examiner—Cathron C. Brooks
(74) *Attorney, Agent, or Firm*—Harvey Lunenfeld

(76) Inventor: **Phil de Carolis**, 154 Waterside Rd., Northport, NY (US) 11768

(57) **CLAIM**

(**) Term: **14 Years**

The ornamental design for an adjustable television support system, as shown and described.

(21) Appl. No.: **29/160,752**

DESCRIPTION

(22) Filed: **May 15, 2002**

(51) **LOC (7) Cl.** **06-04**

FIG. 1 is a perspective view of an adjustable television support system, showing my new design;

(52) **U.S. Cl.** **D6/474**

FIG. 2 is a front elevation view thereof;

(58) **Field of Search** D6/630, 436, 449, D6/474, 477, 478, 479, 470, 460, 461, 464, 465; D14/126, 133, 239; 211/41.14, 42, 43, 133.1, 205; 312/7.1, 7.2, 9.1, 111, 249.6, 249.8, 249.13

FIG. 3 is a right side elevational view thereof, the left side being a mirror image thereof; and,

FIG. 4 is a top plan view thereof.

(56) **References Cited**

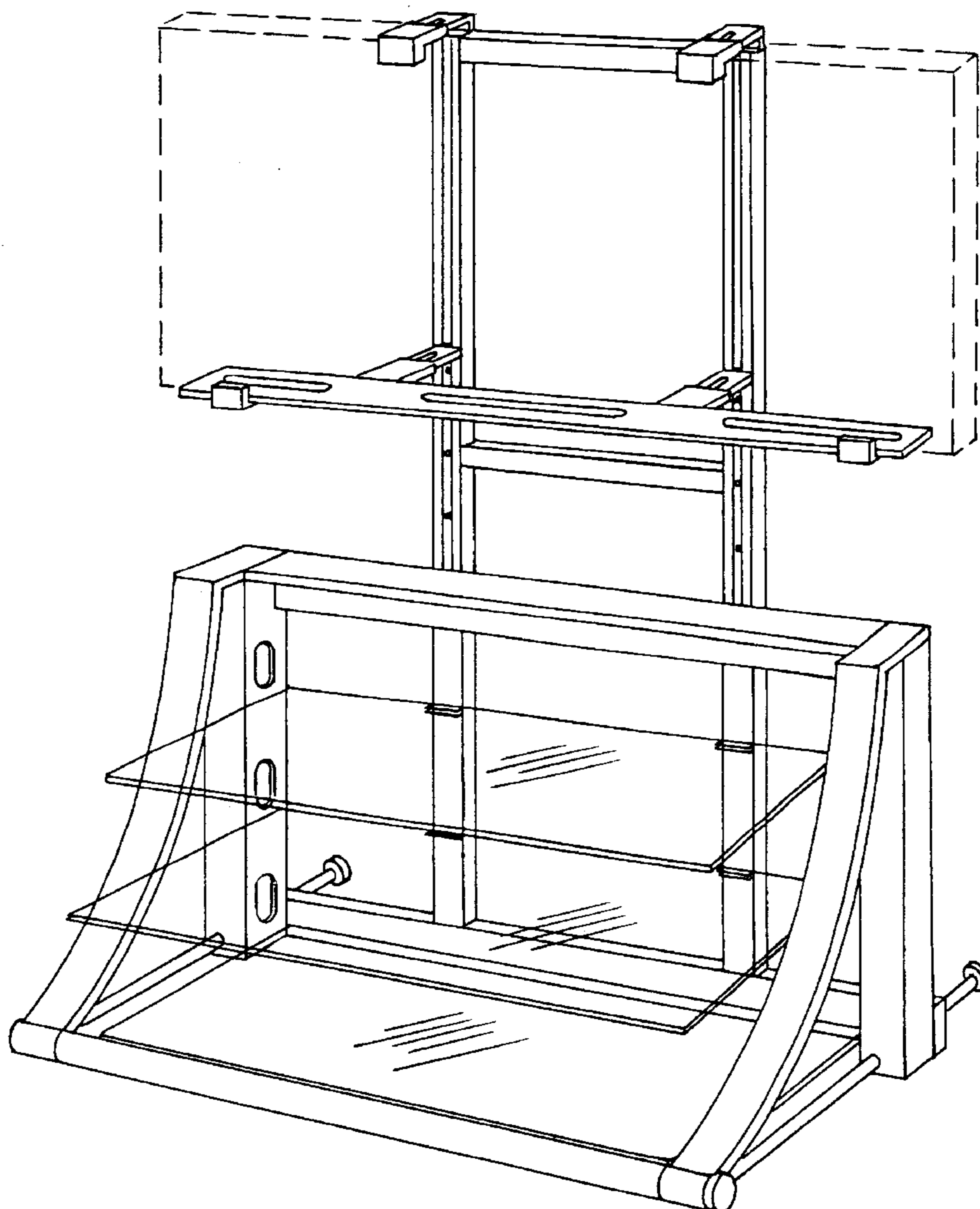
The broken line showing of a television is for illustrative purposes only and forms no part of the claimed design.

U.S. PATENT DOCUMENTS

D291,038 S * 7/1987 Hice D6/479

* cited by examiner

1 Claim, 2 Drawing Sheets



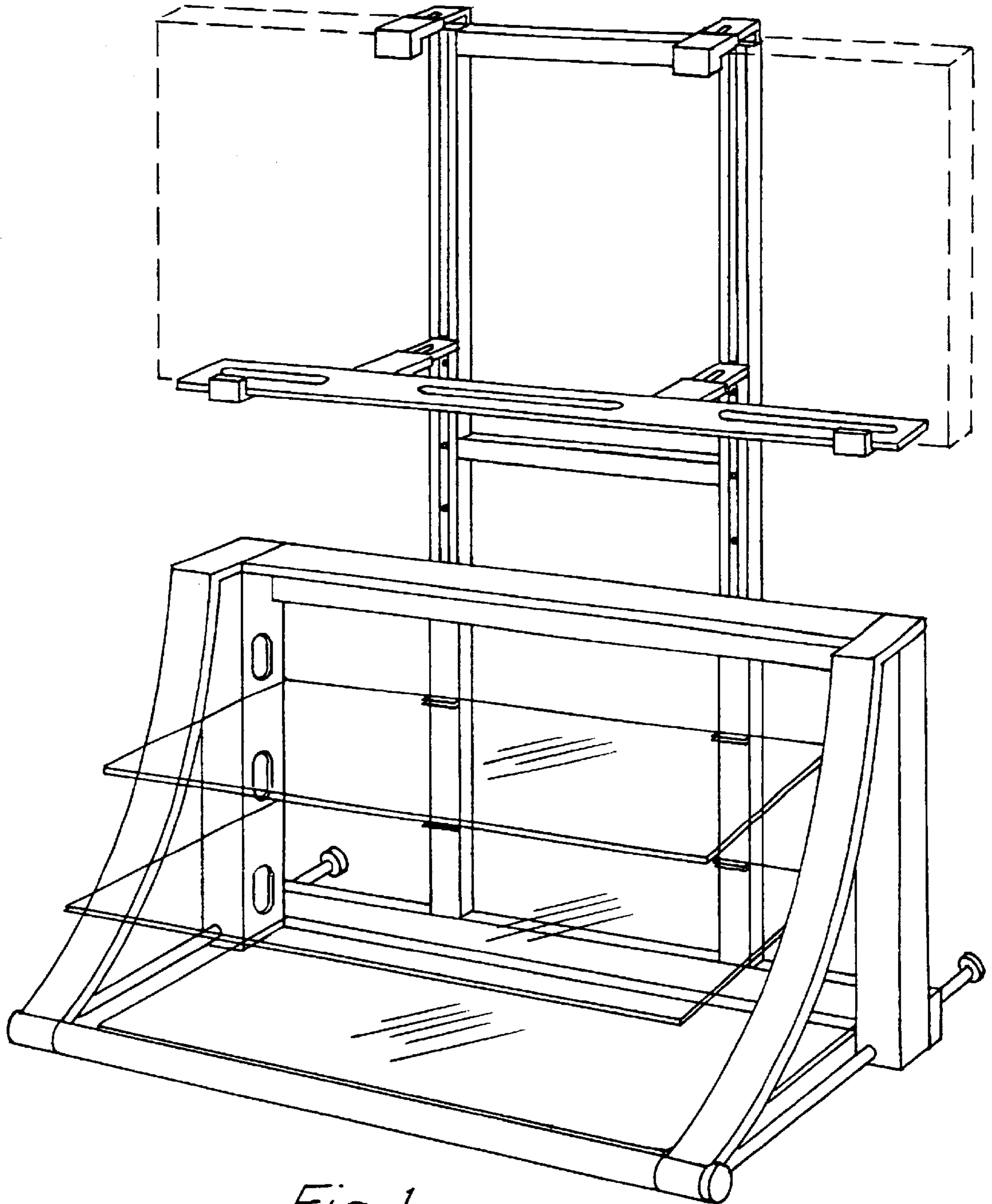


Fig. 1

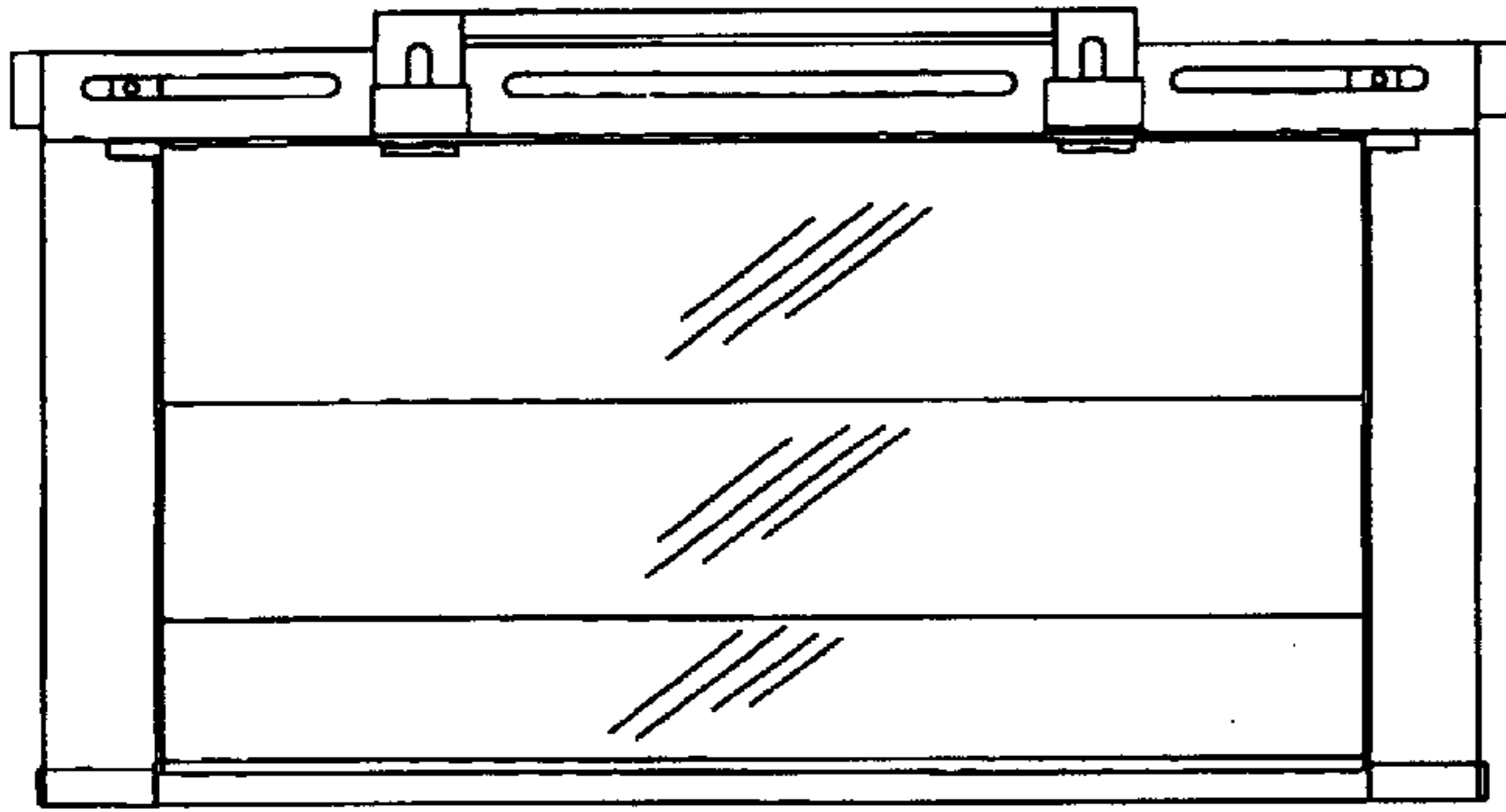


Fig. 4

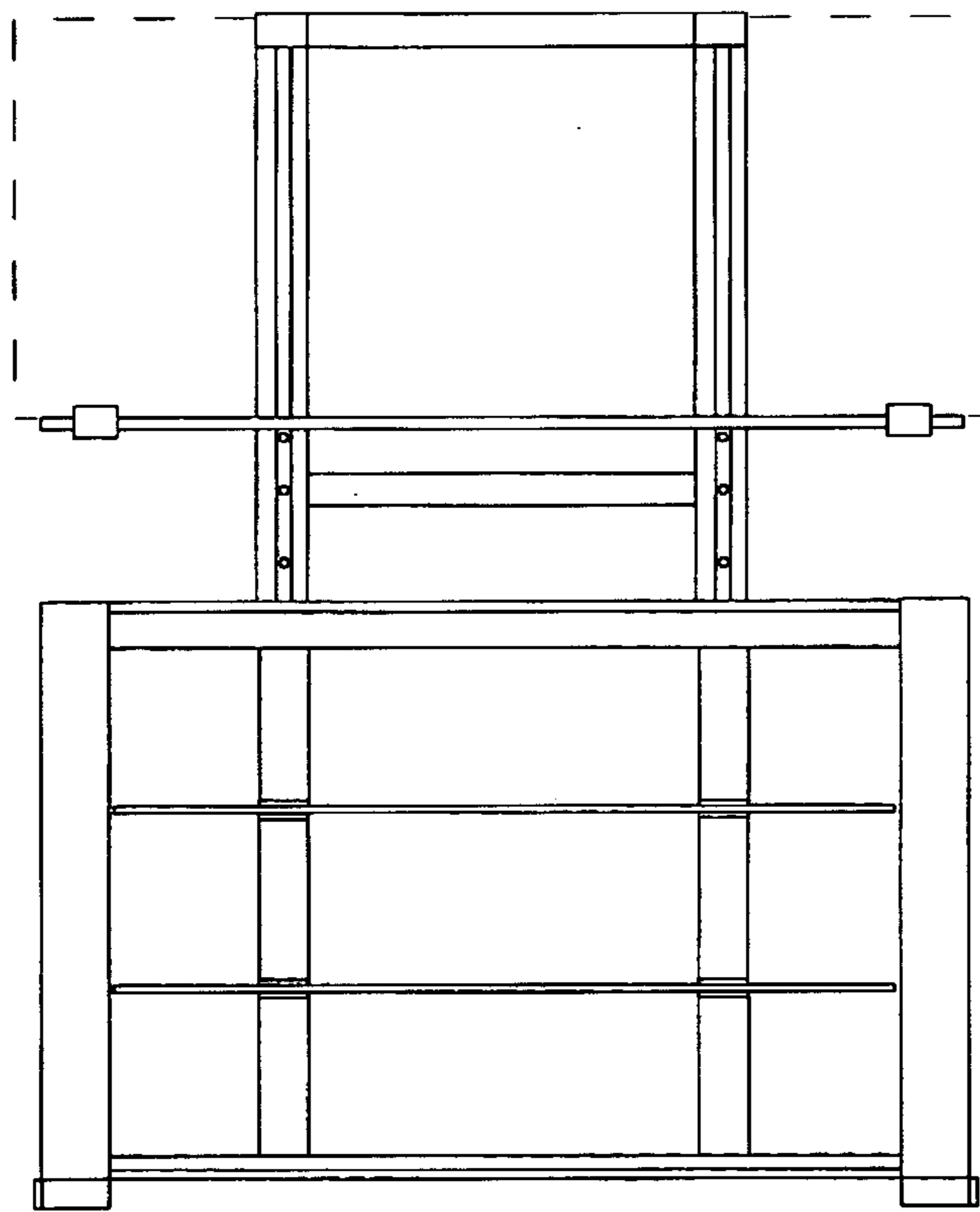


Fig. 2

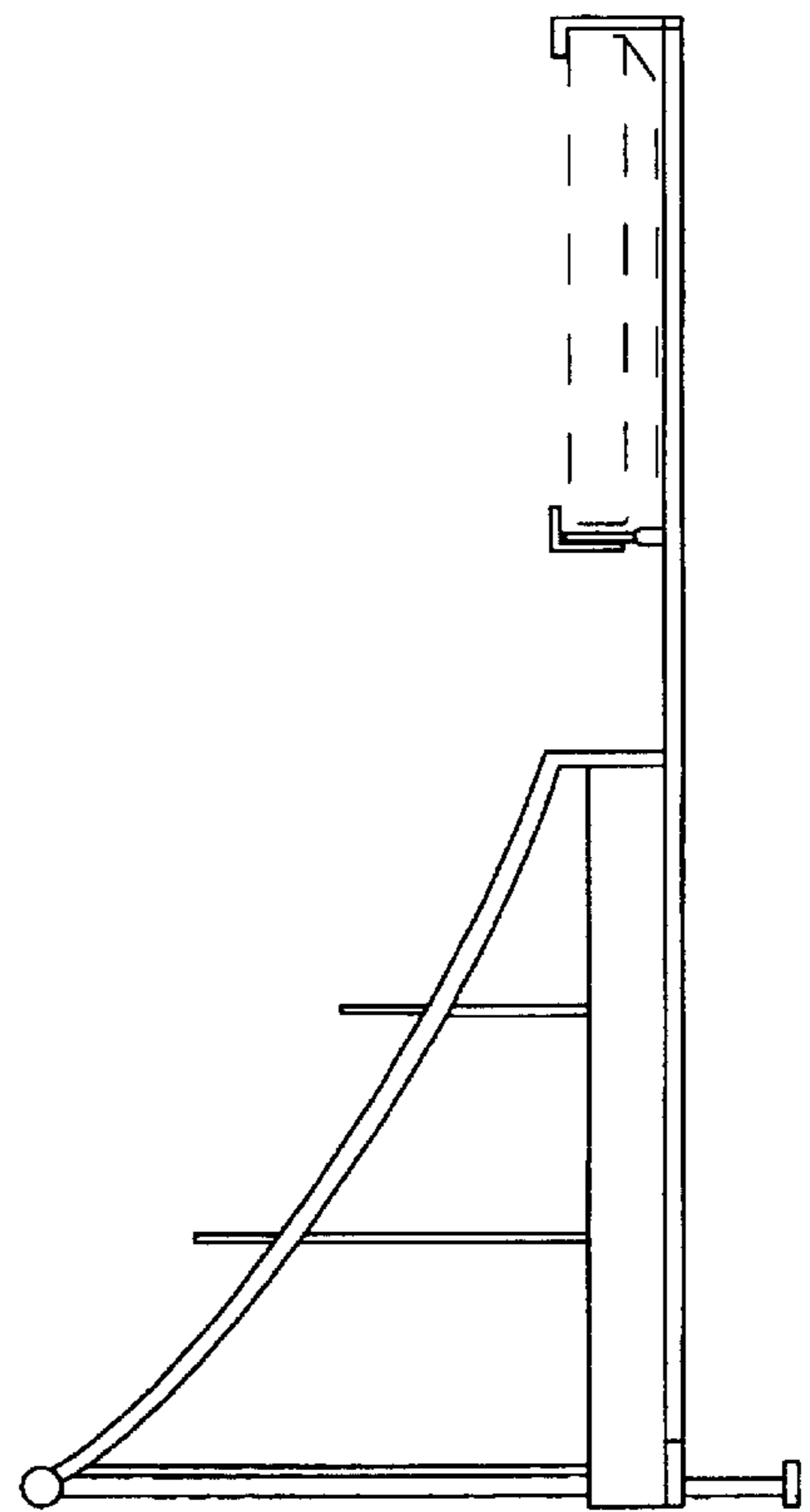


Fig. 3