



US00D480231S

(12) **United States Design Patent**
Valiulis et al.

(10) **Patent No.:** **US D480,231 S**

(45) **Date of Patent:** **** Oct. 7, 2003**

(54) **SHELF PUSHER SYSTEM**

D445,615 S * 7/2001 Burke D6/509
D472,411 S * 4/2003 Burke D6/509

(75) Inventors: **Stanley C. Valiulis**, Rockford, IL (US);
Craig Zadak, Rockford, IL (US)

* cited by examiner

(73) Assignee: **Southern Imperial, Inc.**, Rockford, IL (US)

Primary Examiner—Cathron C. Brooks

(74) *Attorney, Agent, or Firm*—Leydig, Voit & Mayer, Ltd.

(**) Term: **14 Years**

(57) **CLAIM**

The ornamental design for the shelf pusher system, as shown and described.

(21) Appl. No.: **29/160,273**

(22) Filed: **May 7, 2002**

DESCRIPTION

(51) **LOC (7) Cl.** **06-04**

FIG. 1 is a perspective view, taken from the front and left, of the shelf pusher system;

(52) **U.S. Cl.** **D6/408; D6/511**

FIG. 2 is a perspective view, taken from the rear and right, of the shelf pusher system shown in FIG. 1;

(58) **Field of Search** D6/396, 397, 408,
D6/449, 491, 509, 510, 511; 211/51, 59.2,
59.3

FIG. 3 is a top view of the shelf pusher system shown in FIG. 1;

(56) **References Cited**

FIG. 4 is a side view, taken from the right, of the shelf pusher system shown in FIG. 1;

U.S. PATENT DOCUMENTS

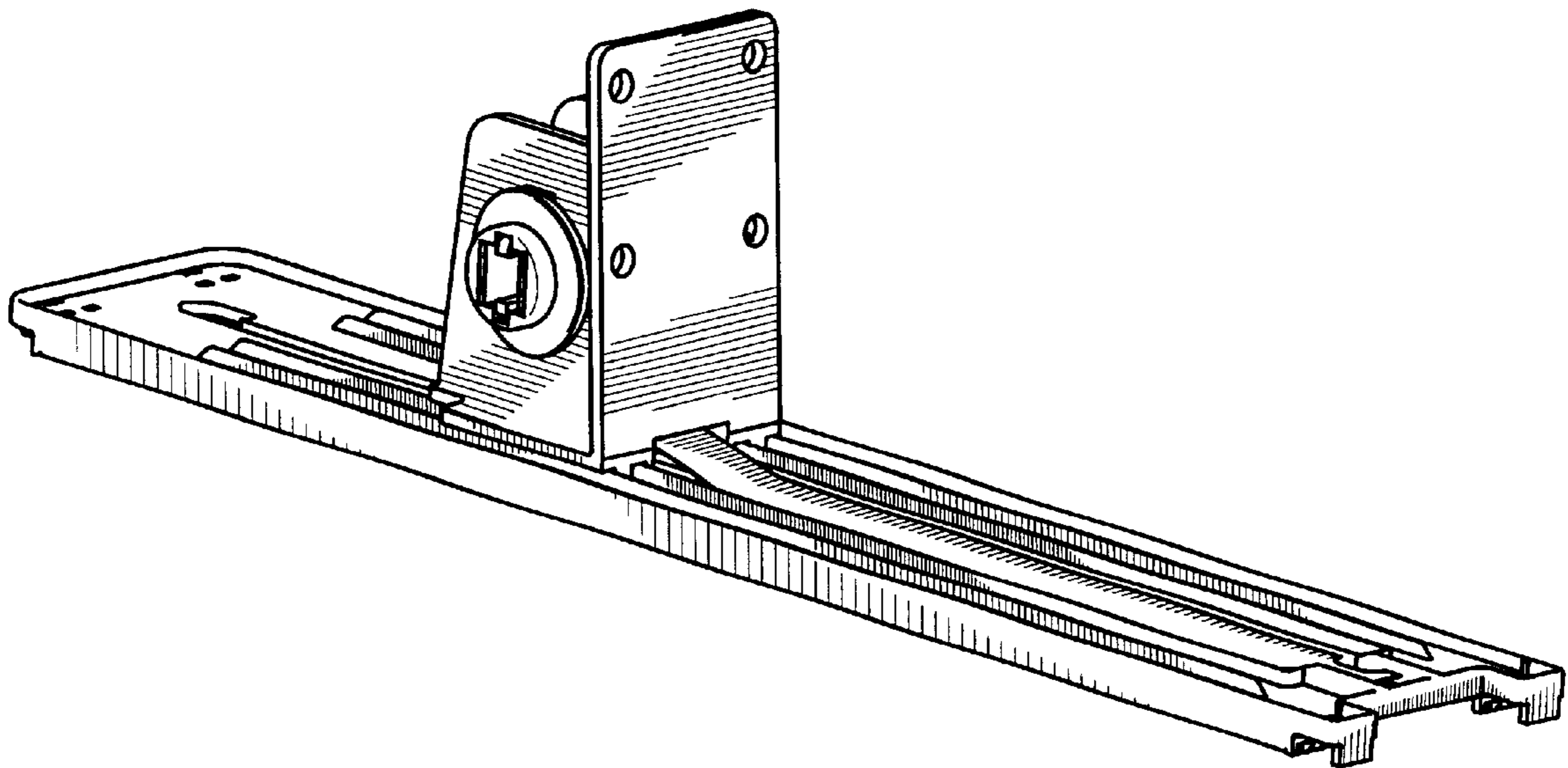
- 4,901,869 A * 2/1990 Hawkinson et al. 211/59.3
- D327,190 S * 6/1992 Wear et al. D6/511
- D330,121 S * 10/1992 Wear et al. D6/408
- 5,562,217 A * 10/1996 Salveson et al. 211/59.3
- D390,052 S * 2/1998 Wolff D6/510
- D402,823 S * 12/1998 Anderson et al. D6/408
- 5,855,281 A * 1/1999 Rabas 211/59.3
- 6,142,317 A * 11/2000 Merl 211/59.3

FIG. 5 is a bottom view of the shelf pusher system shown in FIG. 1;

FIG. 6 is an enlarged front view of the shelf pusher system shown in FIG. 1; and,

FIG. 7 is an enlarged rear view of the shelf pusher system shown in FIG. 1.

1 Claim, 3 Drawing Sheets



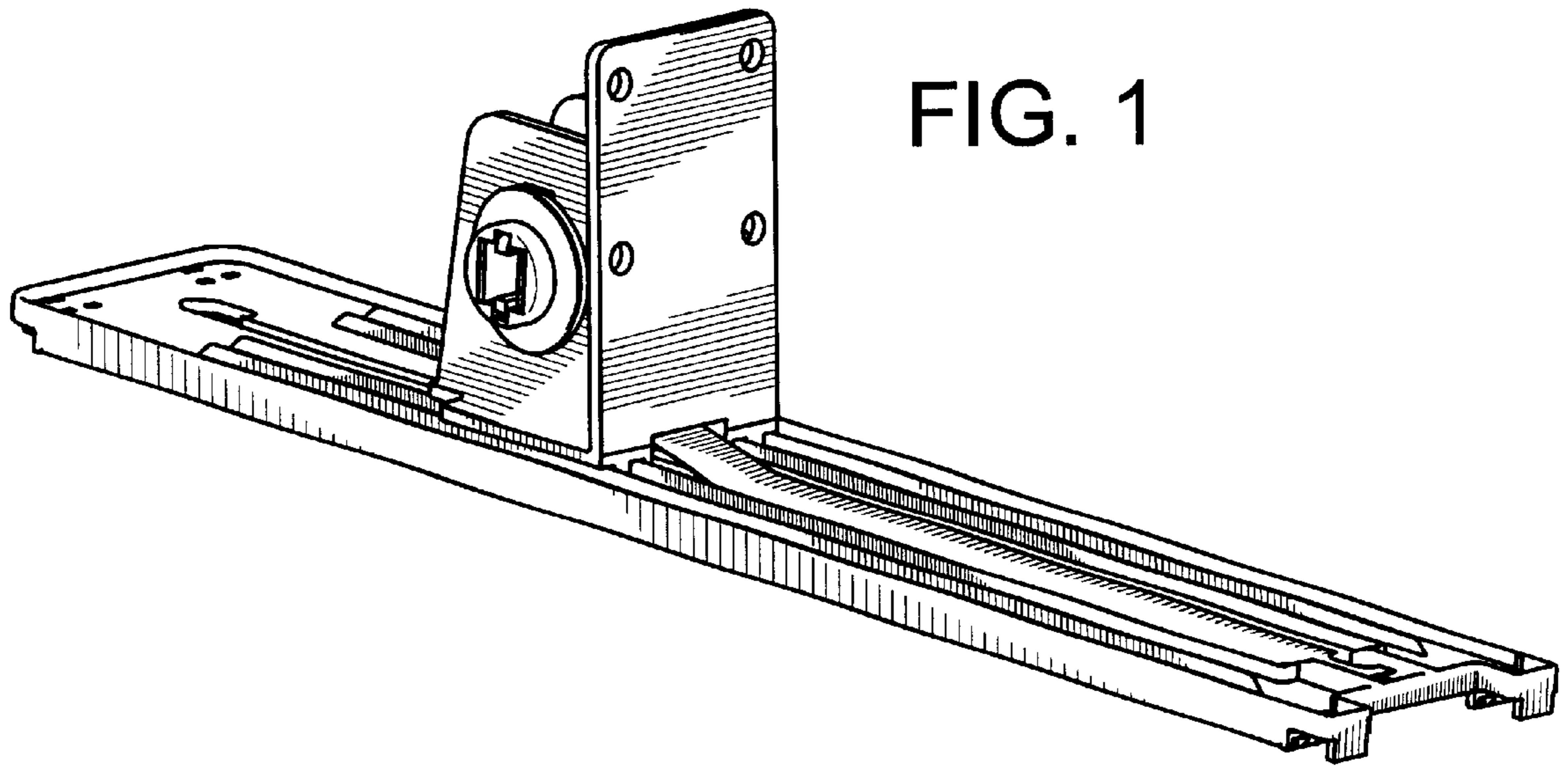


FIG. 1

FIG. 2

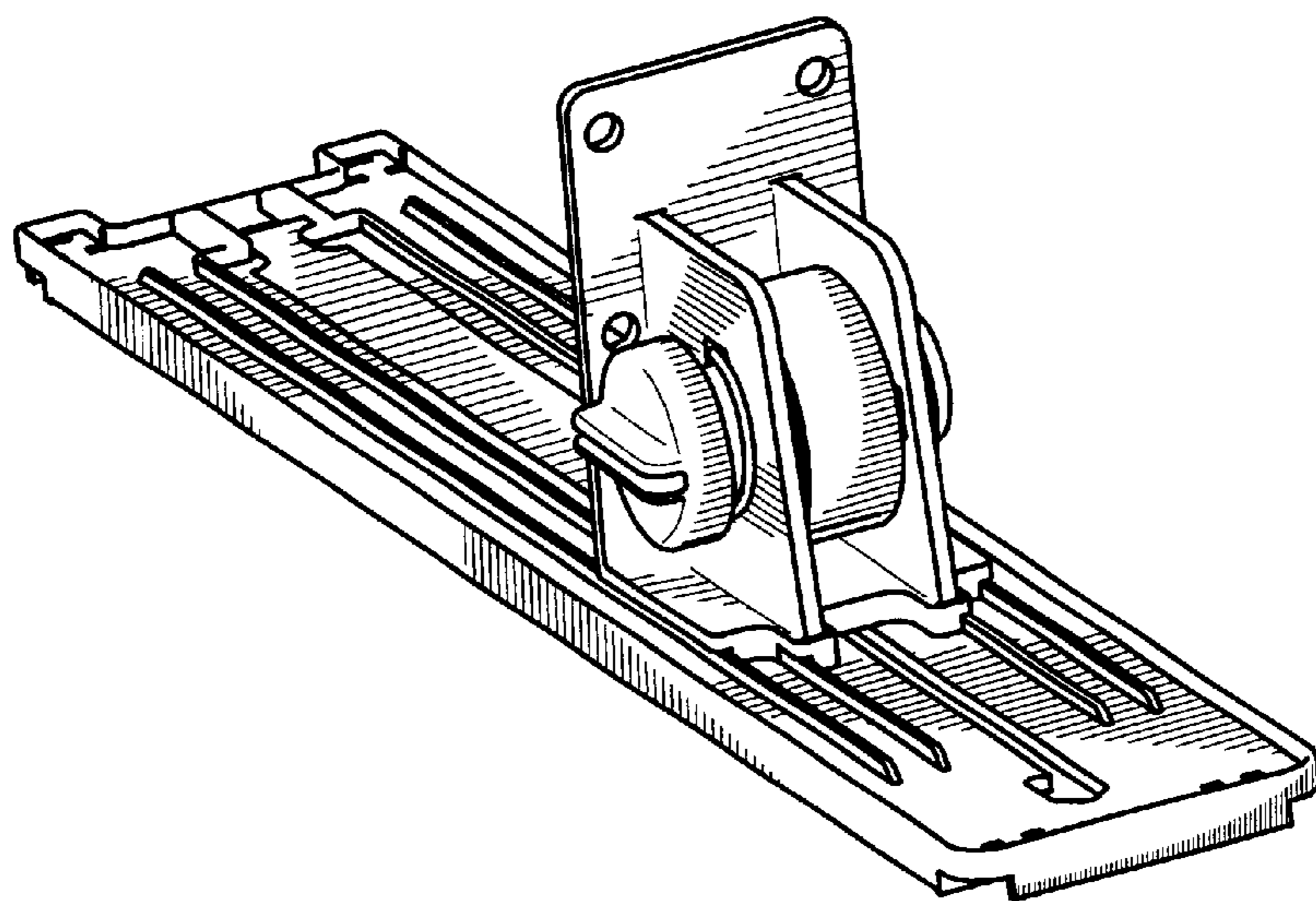


FIG. 3

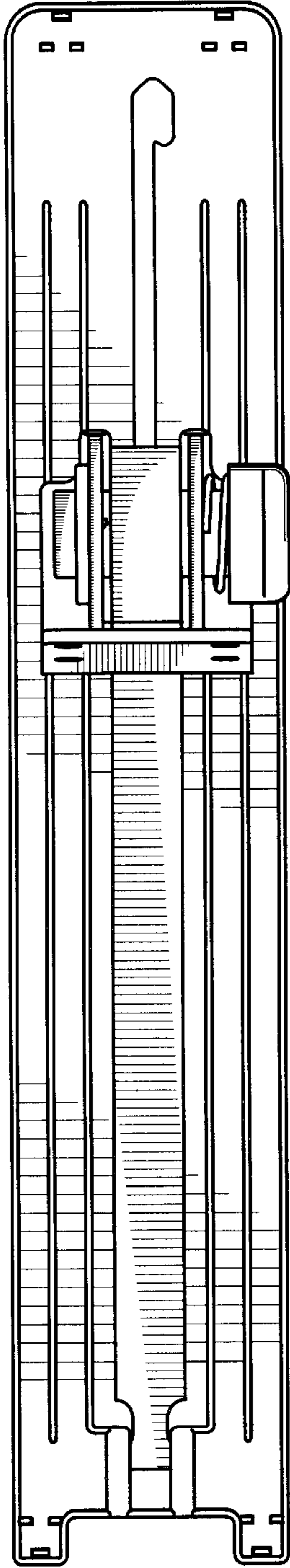


FIG. 4

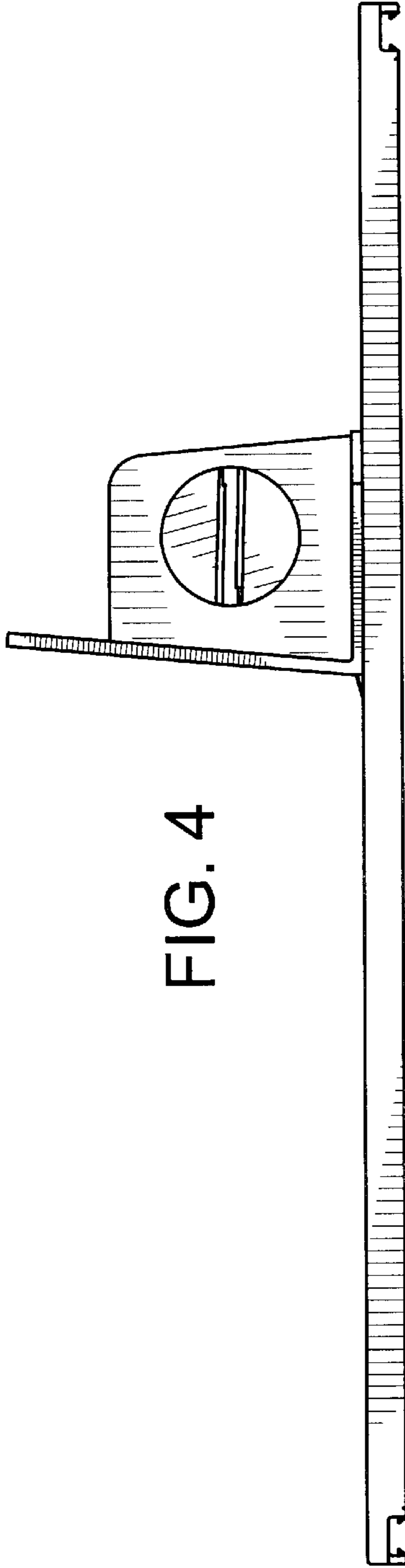


FIG. 5

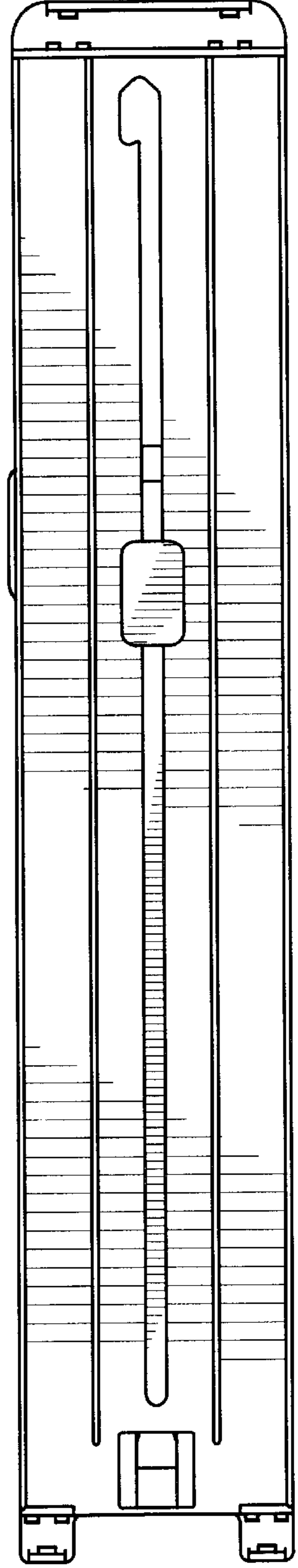


FIG. 7

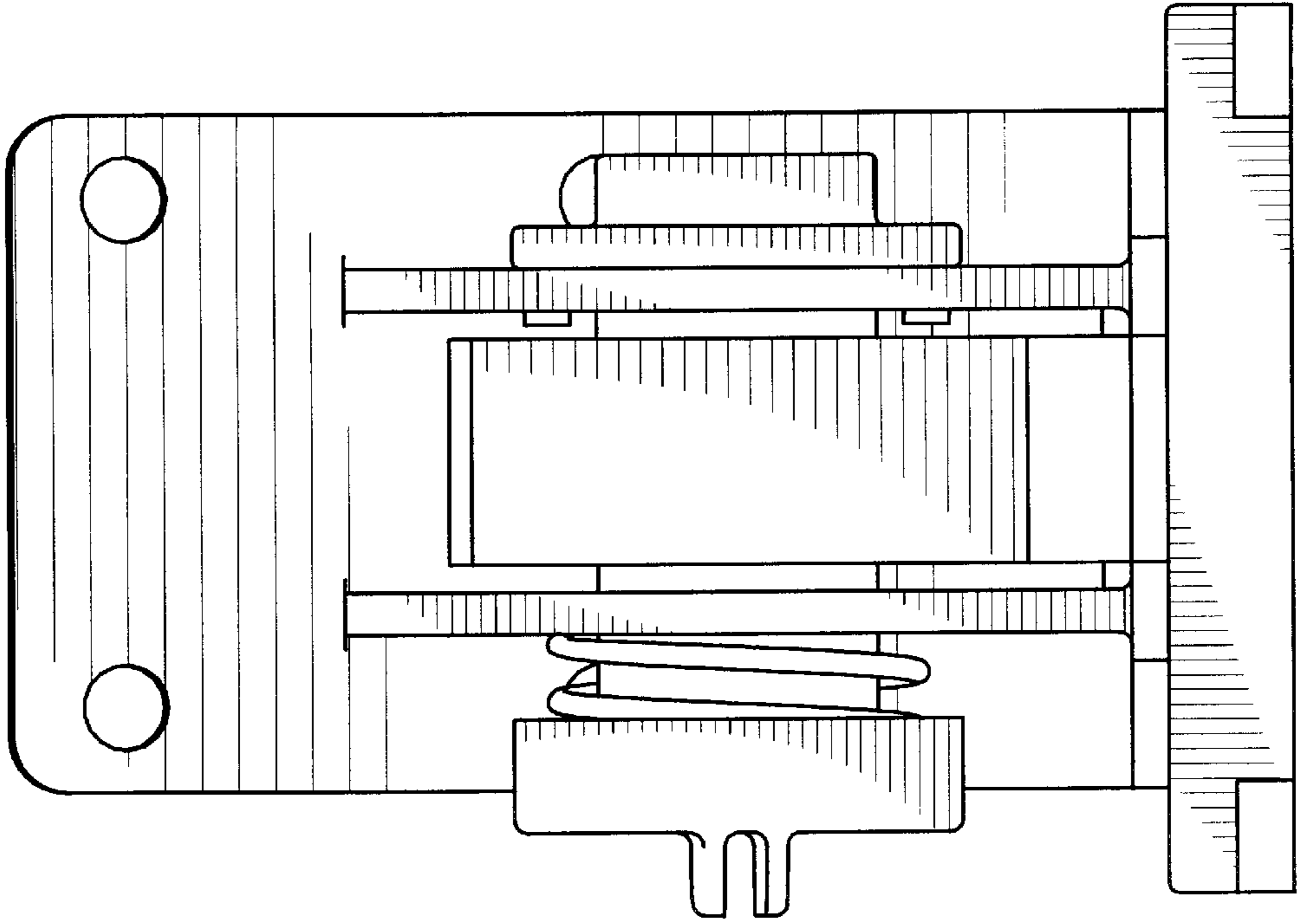


FIG. 6

