



US00D480229S

(12) **United States Design Patent**
Humphrey

(10) **Patent No.:** **US D480,229 S**

(45) **Date of Patent:** **** Oct. 7, 2003**

(54) **SINGLE-ARM STAND**

(75) **Inventor:** **Neill W. Humphrey**, El Dorado Hills, CA (US)

(73) **Assignee:** **Trade Source International**, El Dorado Hills, CA (US)

(**) **Term:** **14 Years**

(21) **Appl. No.:** **29/175,233**

(22) **Filed:** **Jan. 30, 2003**

(51) **LOC (7) Cl.** **06-04**

(52) **U.S. Cl.** **D6/403; D6/329**

(58) **Field of Search** D6/329, 403-405, D6/411, 412, 413, 415, 417, 457, 462, 556-558; D8/1, 367, 370; 47/39, 44, 46, 47; D26/138; 206/423; 248/27.8, 87, 121, 127, 175, 302, 339

(56) **References Cited**

U.S. PATENT DOCUMENTS

D125,101 S * 2/1941 Flannery D6/415
D171,477 S * 2/1954 Anderson D6/415

D246,279 S * 11/1977 Haas, Jr. D6/404
D265,030 S * 6/1982 Gallon D6/458
D376,443 S * 12/1996 Porter D26/138
D392,141 S * 3/1998 Cavanaugh D6/556
D430,430 S * 9/2000 Malapane D6/457
D431,127 S * 9/2000 Connor D6/403
D446,044 S * 8/2001 Thomas D6/404

* cited by examiner

Primary Examiner—Doris V. Coles

Assistant Examiner—Mimosa De

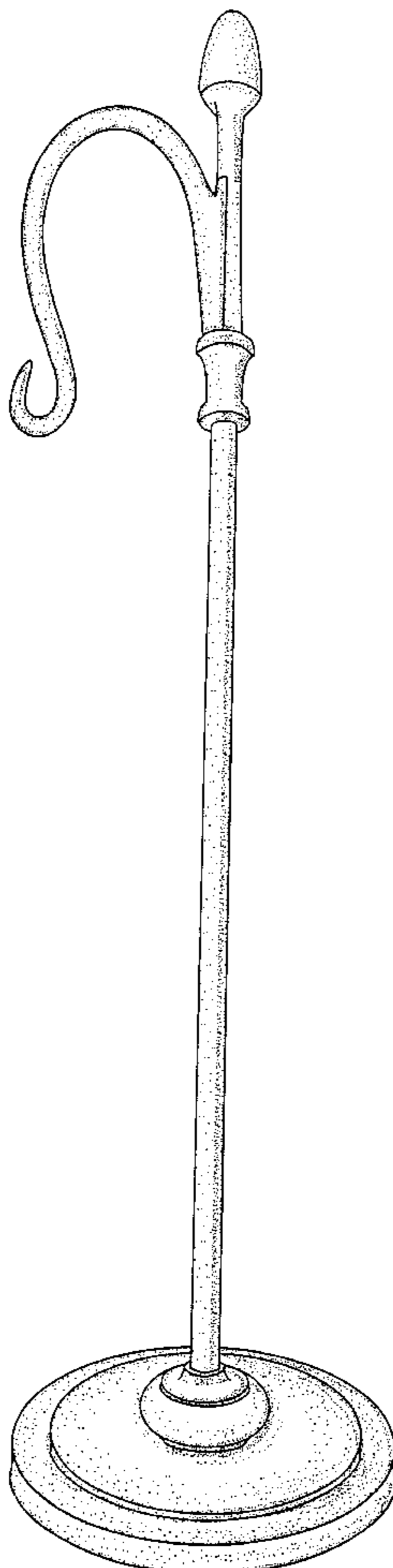
(57) **CLAIM**

The ornamental design for a single-arm stand, as shown and described.

DESCRIPTION

FIG. 1 is a perspective view of a single-arm stand showing of my new design;
FIG. 2 is a front elevational view thereof,
FIG. 3 is a left side view thereof;
FIG. 4 is a top view thereof; and,
FIG. 5 is a bottom view thereof.

1 Claim, 5 Drawing Sheets



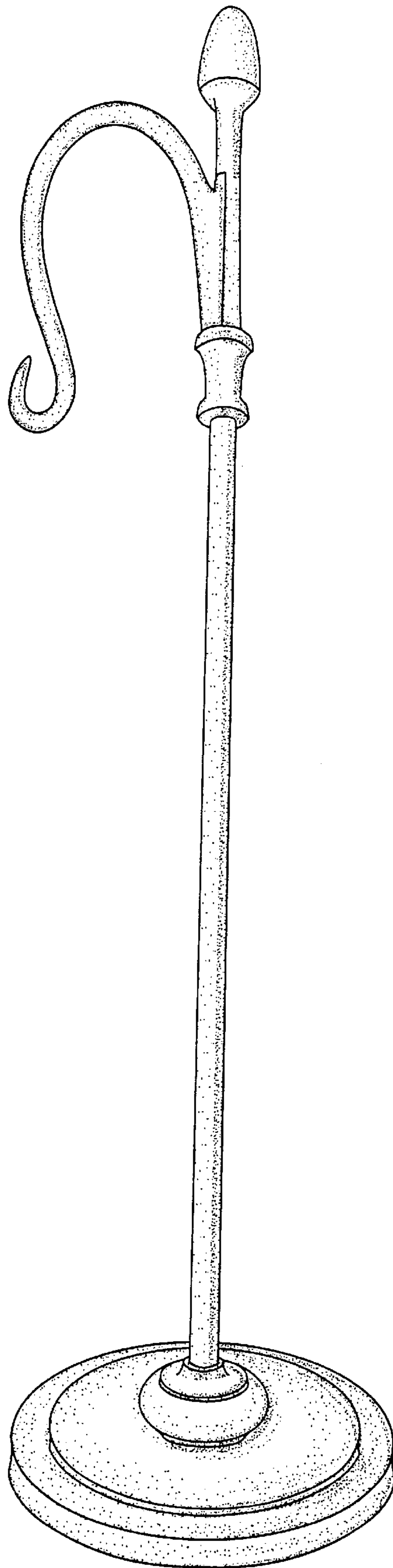


Fig. 1

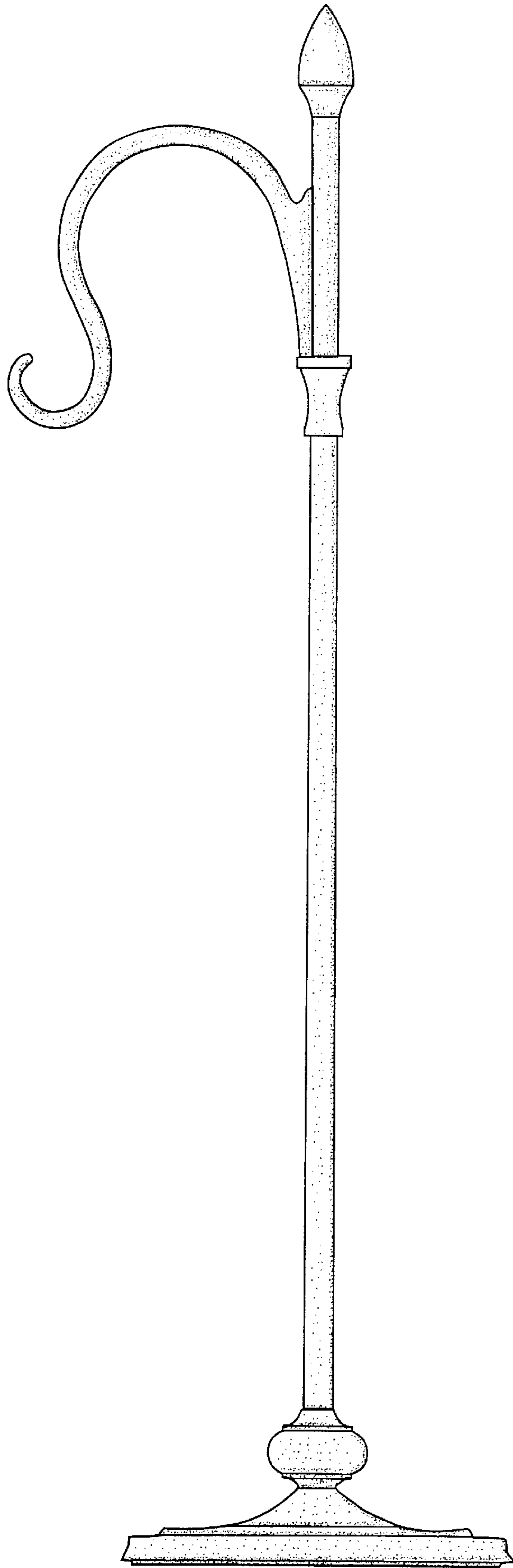


Fig. 2

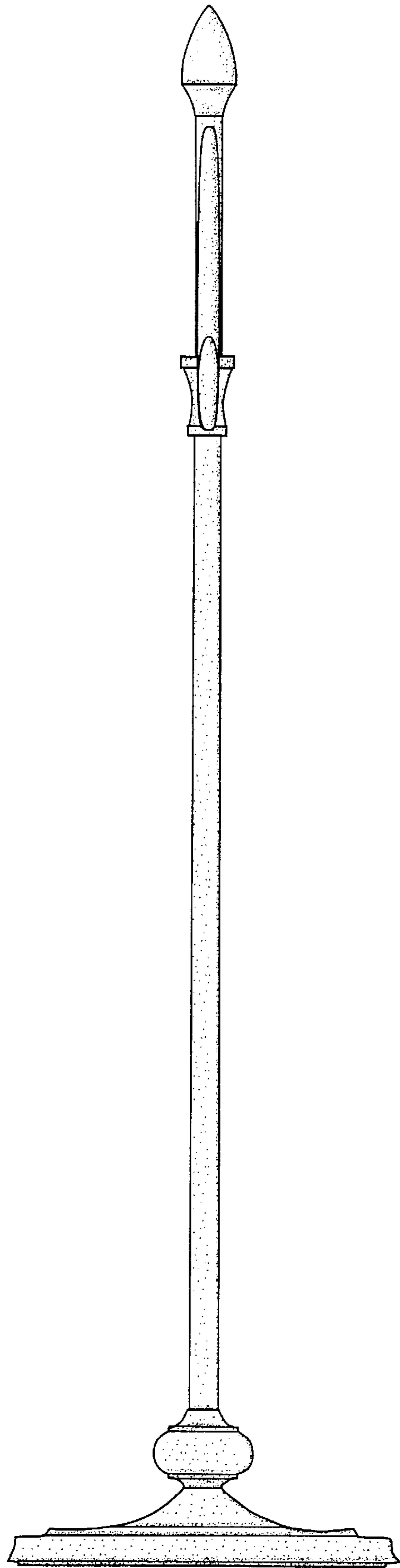


Fig. 3

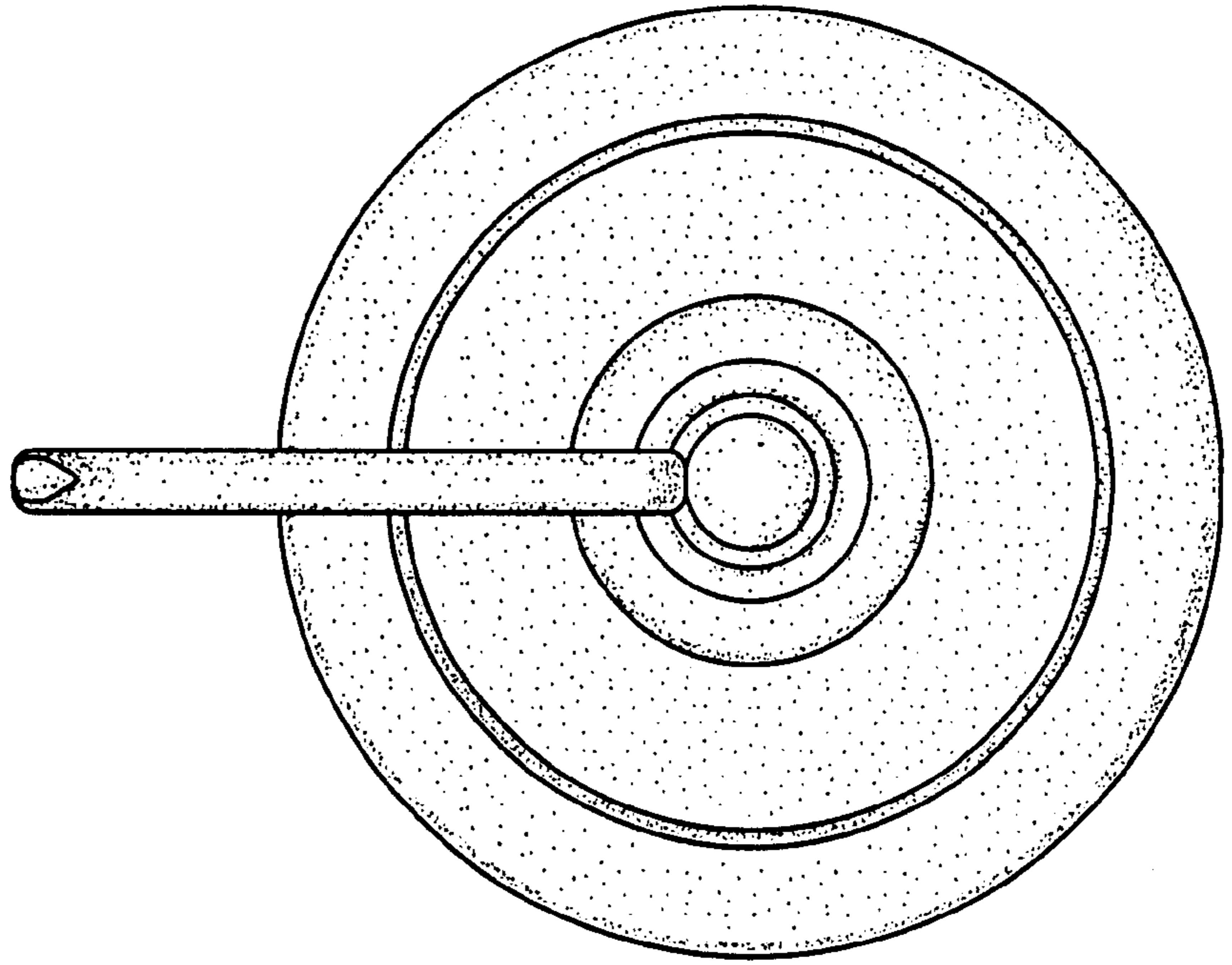


Fig. 4

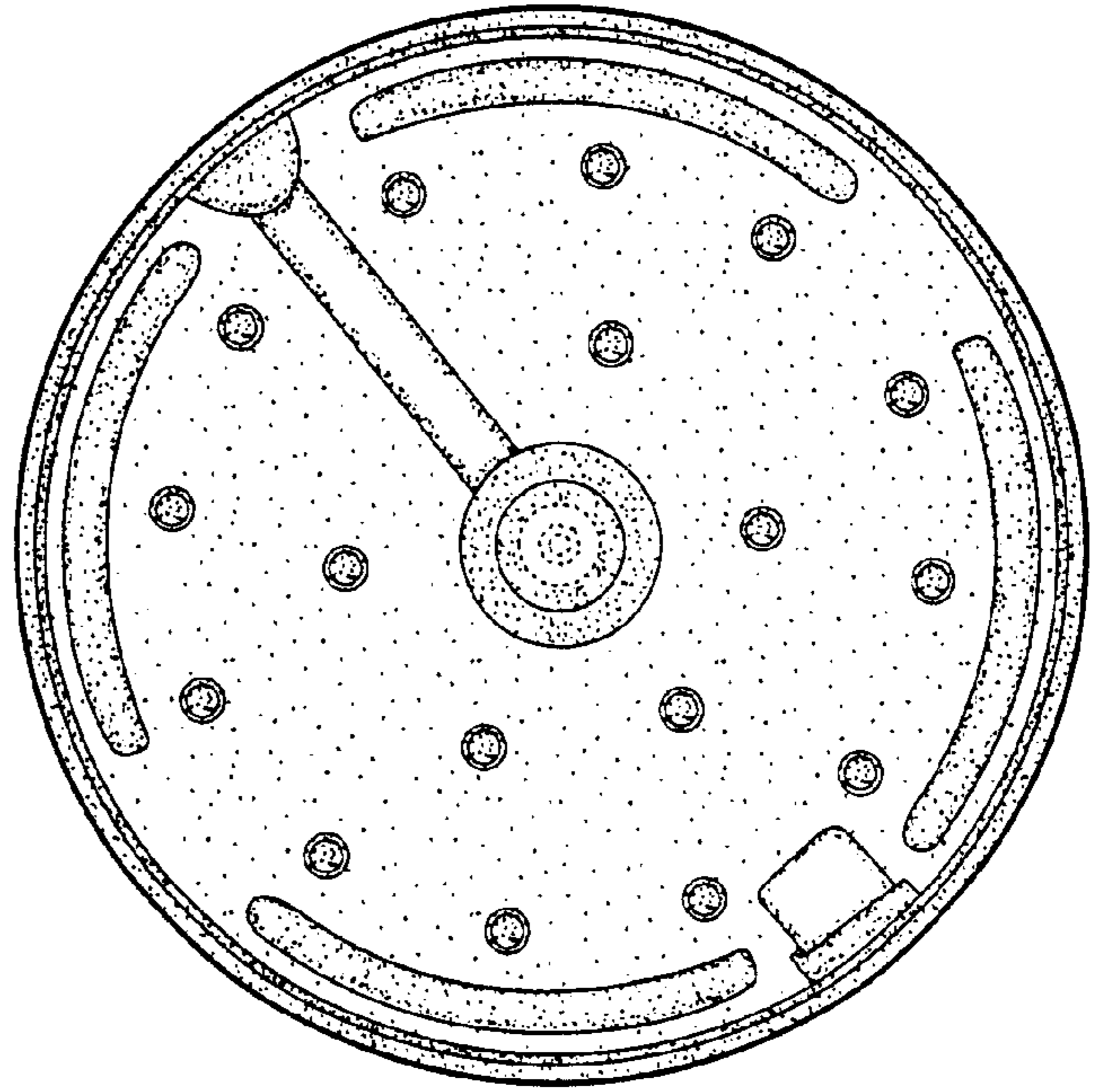


Fig. 5